



# ZT250-R (EURO/IV)

## Service manual





# CONTENTS

CONTENTS	Page
0 CONTENTS.....	1
<b>1 FRAME&amp;ELECTRONIC PARTS COMPONENT</b>	
1.1 Electronic parts component-1..... Main wire harnessk,Dump switch,Relay,Flasher,Rectifier,Ignition coil	6
1.2 Electronic parts component-2..... Shut-off switch,Horn	7
1.3 Frame plastic parts..... Tuck loop,side cover circle rubber cushion,inner fuel tank fix rubber cushion	8
1.4 Steering rack component..... Down connected plate	9
1.5 Frame,Side support,the operation of releasing engine oil..... Side support,Frame drain bolt assembly	10
1.6 Rear pedal component..... Rear pedal component	11
<b>2 FRAME&amp;ENGINE COMPONENT</b>	
2.1 Frame&engine component..... Hanging piece,Bracket,Sprocket cover	12
<b>3 INDUCTION SYSTEM COMPONENT</b>	
3.1 Induction system component..... Throttle body module,Air filter,Oil pipe	13
3.2 Carbon Tank component..... Carbon Tank ,Carbon Tank solenoid valve	14
3.3 Replace the air filter element.....	15
<b>4 REAR TIRE ,REAR FORKLIFT COMPONENT</b>	
4.1 Rear inner mudguard..... Dismantled rear shock absorber, Rear shock absorber adjustment	16
4.2 Rear shock absorber..... Dismantled rear shock absorber, Rear shock absorber adjustment	17
4.3 Rear sub mudguard component 1..... Dismantled rear sub mudguard component	18
4.4 Rear sub mudguard component 2..... Sub-mud holder component after discomponent	19
4.5 Rear sub mudguard component 3..... Sub-mud component after discomponent	20
4.6 Rear turn signal after sale parts..... Rear left and right turn signals and rear license plate lights for sale	21

# CONTENTS

CONTENTS	Page
4.7 Rear mud board.....	22
4.8 Rear shock absorption..... Demolition after shock absorption, rear shock absorption adjustment	23
4.9 Rear tire module..... Dismantled rear rim module, rear forklife, Wheel axle	24
4.10 Rear rim component..... Dismantled rear rim component	25
4.11 Rear forklift component..... Dismantled rear forklift component	26
4.12 Replace rear brake block.....	27
4.13 Add the brake oil to the main pump or rear brake.....	28
<b>5 PEDAL COMPONENT</b>	
5.1 Pedal height adjustment..... Height adjustment of gearshift lever and brake pedal	29
5.2 Right pedal support component-1..... Dismantled right pedel support componet	30
5.3 Right pedal support component-2..... Dismantled the right pedel support componet	31
5.4 Left pedal support component-1..... Dismantled left pedel support componet	32
5.5 Left pedal support component-2..... Dismantled the left pedel support componet	33
<b>6 RADIATOR SYSTEM COMPONENT</b>	
6.1 Release the engine oil.....	34
6.2 The oil pipe near the frame..... Dismantled the oil pipe near the frame	35
6.3 Radiator component-1..... Dismantled the radiador component	36
6.4 Radiator component-2..... Decomposition of the radiador component	37
<b>7 FRONT FORK COMPONENT</b>	
7.1 Throttle/clutch cable clearance adjustment..... Adjust the throttle line, clutch cable free travel	38
7.2 Replacement clutch cable.....	39
7.3 Replace the throttle line.....	40
7.4 Steering adjustment..... Adiust steering device	41
7.5 Add brake fluid, adjust the swing arm.....	42

# CONTENTS

CONTENTS	Page
Add brake fluid,adjust the brake swing arm	
7.6 Replace front brake block.....	43
7.7 Meter function description.....	44
7.8 Front tire component.....	45
Dismantled the front tire component	
7.9 Front tire wheel speed sensor component.....	46
Dismantled the front tire wheel speed sensor component	
7.10 Head parts component-1.....	47
Dismantled head parts component	
7.11 Head parts component-2.....	48
Dismantled the front turning light and head light rear cover	
7.12 Head cover upper parts component.....	49
7.13 Head light component.....	50
7.14 Meter component.....	51
Remove the instrument and instrument support	
7.15 Left handle bar component,adjust the swing arm.....	52
Dismantled rearview mirror,right handlebar glue glove, balance blocks and combination lock	
7.16 New states left hand rocker arm component.....	53
Remove new states left hand rocker arm	
7.17 Right hand component.....	54
Remove right rear view mirror, right hand rubber sleeve, balance block	
7.18 Handle bar ,upper connected plate component.....	55
Dismantled the Handle bar ,lock block,upper connected plate component and combination lock	
7.19 Uplink plate, direction handle block component.....	56
Disassemble the direction of the block, the upper plate	
7.20 ABS brake system-1.....	57
Dismantled the front brake calipers and ABS protection cover	
7.21 ABS brake system-2.....	58
Dismantled the ABS control system component and the main pumb of disc brake	
7.22 ABS brake system-3.....	59
Dismantled the rear brake calipers and discomposed the ABS control system component	
<b>8 FUEL TANK COMPONENT</b>	
8.1 Inner fuel tank component.....	60
Dismantled inner fuel tank component and cushion fixed block	
8.2 Fuel tank middle cover assembly.....	61
Dismantled Fuel tank middle cover assembly	
8.3 Fuel tank middle cover、 Fuel tank cover、 Fuel tank lock.....	62
Dismantled Fuel tank middle cover、 Fuel tank cover、 Fuel tank lock	
8.4 Fuel tank left and right cover assembly.....	63
Dismantled Fuel tank left and right cover assembly	

# CONTENTS

CONTENTS	Page
8.5 Inner fuel tank..... Dismantled inner fuel tank and fuel pump	64
<b>9 SIDE COVER COMPONENT</b>	
9.1 SIDE COVER COMPONENT..... Dismantled SIDE COVER COMPONENT	65
<b>10 REAR COVER, REAR MUDGUARD, ELECTRICAL DEVICE BOX COMPONENT</b>	
10.1 Rear handrail, Cushion lock bracket..... Dismantled Rear handrail, Cushion lock bracket, Rear cover left limit bracket	66
10.2 Rear cover, Tail light assembly..... Dismantled Rear cover, Tail light assembly	67
10.3 Battery, Electrical device box cover, ECU..... Dismantled Battery, Electrical device box cover, ECU, Motorcycle tool	68
10.4 Rear mudguard bracket assembly..... Dismantled rear mudguard bracket, Rear mudguard bracket panel	69
10.5 Electrical component box component 1..... Disassembled device box component, electric device box lower cover	70
10.6 Electrical component box component 2..... Remove PKE, electrical box	71
10.7 External battery to start PKE system..... Emergency method to turn on PKE after battery power is exhausted	72
<b>11 CUSHION COMPONENT</b>	
11.1 Cushion..... Dismantled cushion and cushion rubber (Buy by separated)	73
<b>12 MUFFLER COMPONENT</b>	
12.1 Dismanted mulffer1..... Dismanted muffler flange	74
12.2 Dismanted mulffer 2..... Dismanted muffler component	75
12.3 Mulffer component..... Dismanted muffler component	76
<b>13 LOWER WIND DEFLECTOR COMPONENT</b>	
13.1 Lower wind deflector component-1..... Dismanted lower wind deflector component	77
13.2 Lower wind deflector component-2..... Dismantled lower wind deflector component	78

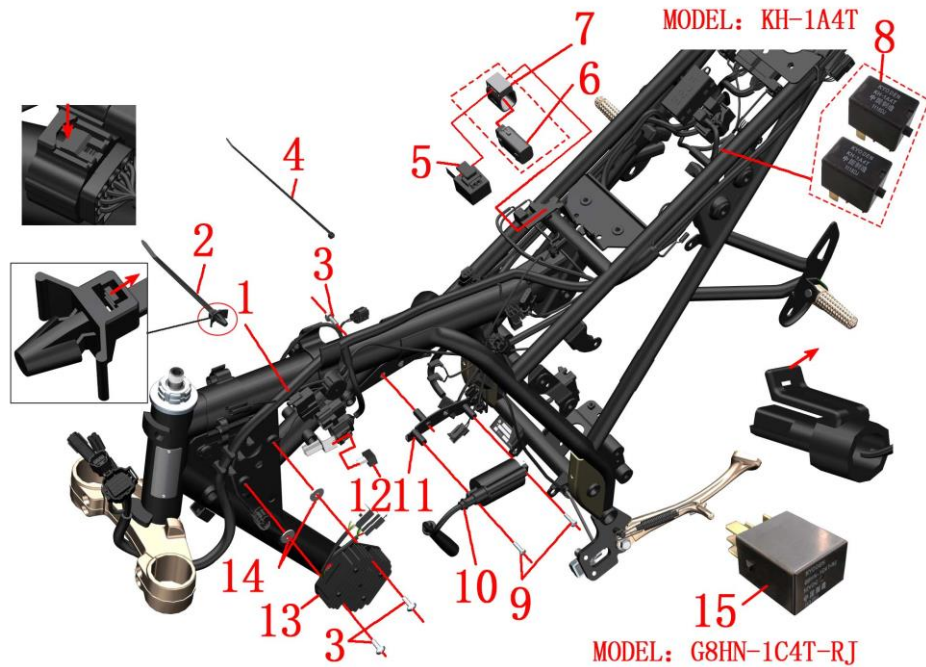
# CONTENTS

CONTENTS

Page

All the information, illustrations and photographs collected in this manual are compiled according to the latest products. However, there may be some inconsistencies between your motorcycle and this manual due to the continuous improvement of the product and other changes.

©Guangdong Tayo Motorcycle Technolog Co.  
Ltd All rights reserve



## PROCEDURE:

## ● Main harness

Different plug-in methods are different, please unplug all the electrical components connected to the main thread according to the actual operation. It needs to use a word screwdriver, forceps, scissors and other tools to assist. The binding (2)、(4) can be picked out by using scissors. It is recommended to cut the strap directly with scissors and replace the material with the same specifications on the official website.

## ● Flasher and dump switch

Remove the rubber sleeve (7) that connects the flasher (5) to the mounting bracket on the frame, and remove the dump switch with the same method, then separate the dump switch (6).

## ● Relay&amp;head light diode

Pull out the electric injection relay(8), large lamp diode(12) and the side stand relay(15).

## ● Ignition coil &amp; support

Remove the crosshead bolts (9) with a cross screwdriver and remove the ignition coil. Remove the bolt (3) with 10# sleeve and remove the ignition coil support (11).

## ● Rectifier

Remove the bolts (3) with the inner hexagon tool and remove the rectifier (13), then remove the asbestos pad(14).

FIG.1 FRAME&ELECTRONIC PARTS COMPONENT		Electronic parts COMPONENT-1	CHK	CAUTION
NO.	PART NO.	PART NAME	ADJ	
1	1184100-115000	ZT250—R wire harness assembly (PKE)	1	
2	1224100-030000	Pin tie (Black 4.8×130)	1	
3	1251100-102000	Non-standard bolt M6×16 (304 stainless steel)	3	
4	1226000-218000	Grade 0 flame retardant tie (black 3.6×295)(5 pcs/after-sale)	8	
5	1184200-039000	ZT310—R Flasher	1	
6	1184100-002000	ZT250—S Dump switch	1	
7	1244100-082000	ZT250—S Dump switch gum cover	1	
8	1186001-018000	ZT250-S Four-pin Normally Open Relay(after-sale)	2	
9	1250201-032093	GB818M5×16 z (color zinc)	2	
10		ZT250—R Ignition coil, ignition cable component	1	
		ZT310 EFI Ignition coil		
11	1274100-085000	ZT250—R Ignition coil installing support	1	
12	1184100-101000	ZT250—R Head light diode	1	
13	1184100-015000	ZT250—S Rectifier	1	
14	1270301-023000	Stainless steel heat insulation mat 6×20×1.6(5 pcs/after-sale)	2	
15	1184200-024000	ZT310—R relay of side support	1	

## CAUTION:

- Pay attention to the direction and angle of the force when plugging and unplugging the electrical device, so as to avoid bending the plug of the electrical device and causing poor contact. No violence
- Please notice the limit of the bracket when dismantling flasher and dump switch sleeve, beware of hurting your fingers.
- EFI relay (8) model: KH-1A4T. Side bracket relay (15) model: G8HN-1C4T-RJ.
- The "ZT250 EFI Ignition coil" and the "ZT310 EFI Ignition coil" cannot be universal.

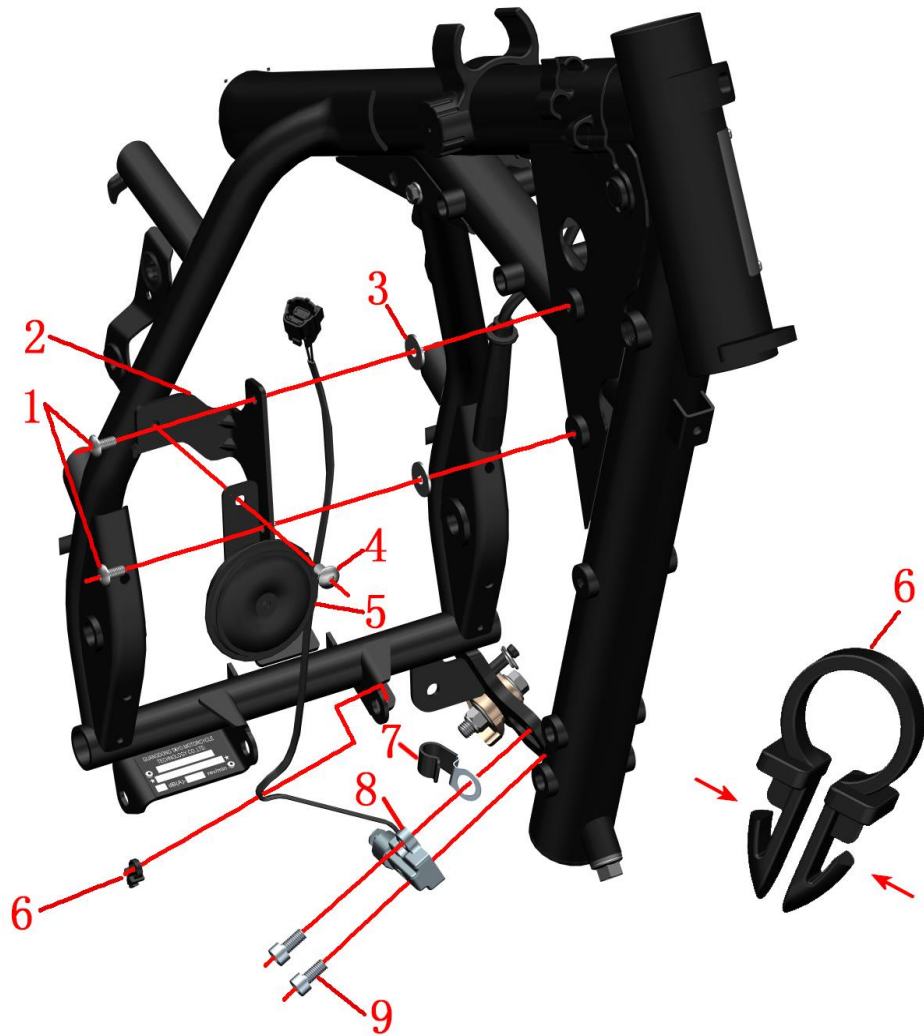


FIG.2 FRAME&ELECTRONIC PARTS COMPONENT		Electronic parts COMPONENT-2	CHK	CAUTION
			ADJ	
NO.	PART NO.	PART NAME	QTY	
1	1251100-102000	Non-standard bolt M6×16 (304 stainless steel)	2	
2	1274100-086000	ZT250—R Horn intalling support	1	
3	1270301-023000	Stainless steel heat insulation mat 6×20×1.6(3mm/after sale)	2	
4	1251100-101000	Non-standard bolt M6×16 (304 stainless steel)	1	
5	1184200-004000	ZT310 Horn	1	
6	1274100-017000	ZT250—S Cable clip	1	
7	1184100-012000	ZT250—S Flameout switch	1	
8	1274100-095000	ZT250—S Flameout switch wire fixing bracket	2	
9	1250205-040095	GB70.1 inner hex bolt M8×16(color Zinc)	2	

## PROCEDURE:

## ●Horn and support

Remove the bolts with the inner hexagon tool (4) and remove the horn (5). Remove the bolt (1), the horn support (2) and the asbestos pad (3).

## ●Flameout switch

Use pliers (as above picture shown) to hold the line in the direction of the arrow with a slightly clamping hand to remove the cable clip (6). Remove the bolts(9) with the inner hexagon tool, Remove the bolts (8) with the inner hexagon tool and remove the flameout switch (7).

## CAUTION:

- Please pay attention to the strength when removing the cable clip.
- An asbestos pad is needed to insulate the heat transfer between horn support and frame.

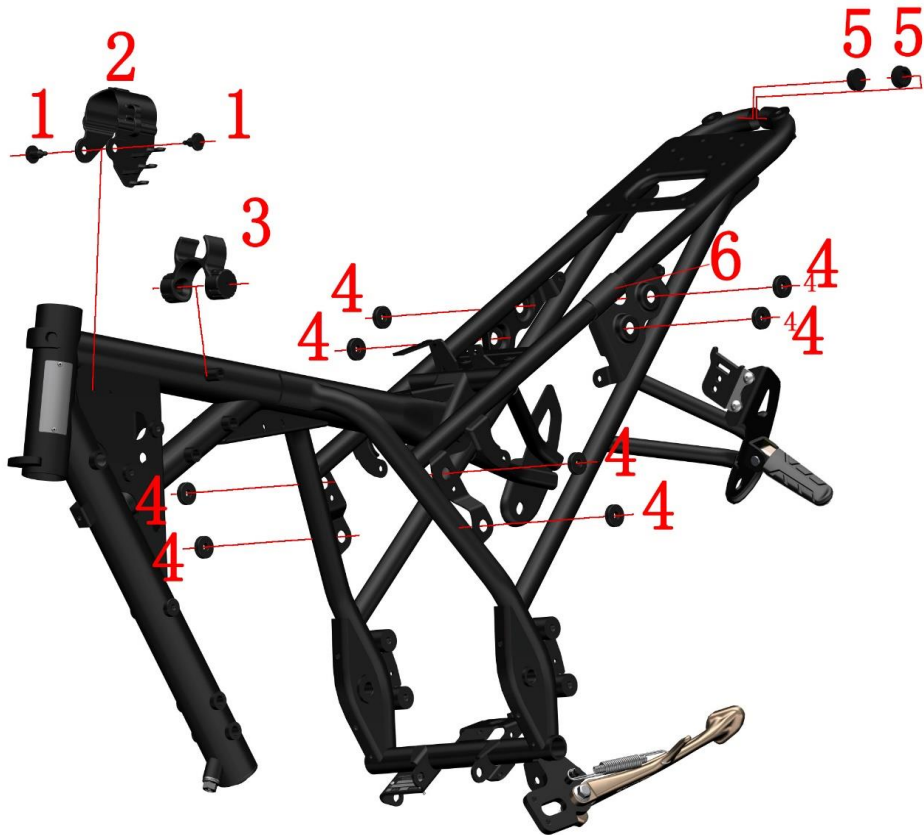


FIG.3 FRAME&ELECTRONIC PARTS COMPONENT		Frame plastic parts	CHK	CAUTION
NO.	PART NO.	PART NAME	ADJ	
1	1274100-002000	ZT250—S Cable clamp	2	
2	1224100-049000	ZT250—R Cable collection clip	1	
3	1244100-019000	ZT250—S Inner fuel tank fix glue cushion	1	
4	1244100-138000	ZT250-S Side cover round rubber(5 pcs/after-sale)	8	
5	1244100-061000	ZT250 Frame water proof rubber plug	2	
6	1240100-023000	Battery positive protection glue.	1	

## PROCEDURE:

## ●Cable collection clip

First, take the cable and the main thread out from the collection clip, then use the straight screwdriver to pick up the middle part of the cable clip(1). Then take cable collection clip (2) off.

## ●Inner fuel tank fix glue cushion

Use both hands to hold the two ends cylinder parts of the inner fuel tank limited glue cushion (3) and should push it out.

## ●Side cover cushion

Remove the side cover cushion (4) with your hand directly.

## ●Frame waterproof rubber plug

Remove the frame waterproof rubber plug (5) with your hand directly.

## ●Positive pole protection glue

Find out the slot parts position,open and take it out with tools.(6)

## CAUTION:

●It must be dismantled them first, such as the cushion, fuel tank cover, inner fuel tank, sider cover, tail dress and so on.

●All parts should be correctly assembled.

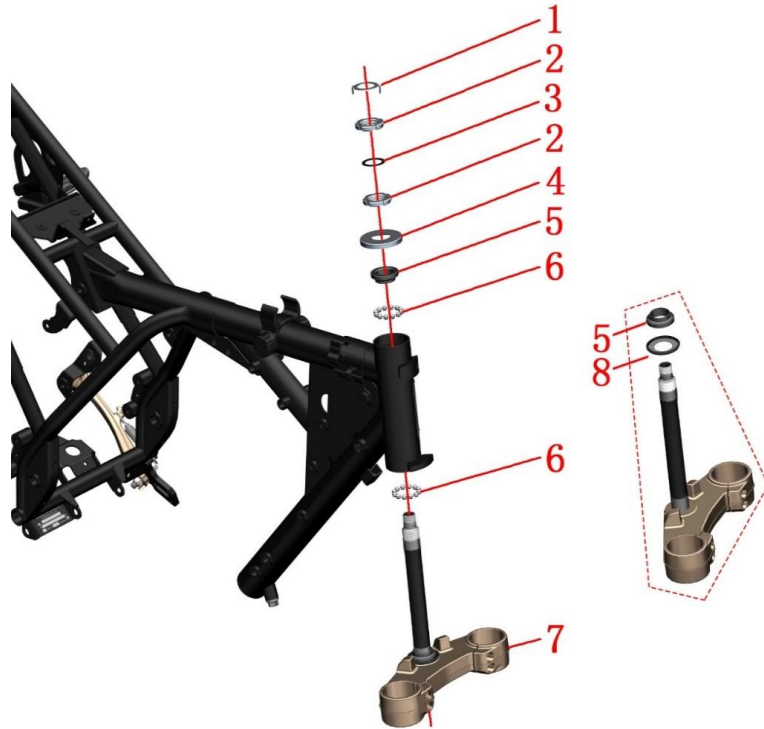


FIG.4 FRAME&ELECTRONIC PARTS COMPONENT		Steering rack component	CHK	CAUTION
			ADJ	
NO.	PART NO.	PART NAME	QTY	
1	1134100-040000	ZT250-S Adjusting nut locking washer(5 pcs/after-sale)	1	
2	1251300-046093	ZT250-S Steering column rating nut (color zinc)	2	
3	1244100-135000	ZT250-S Adjusting nut rubber gasket (5 pcs/after-sale)	1	
4	1224100-005000	ZT250-S Steering column upper dustproof cover	1	
5	1130900-053000	ZT250-S shaft ring (after-sale)	1	
6	1130900-054000	ZT250-S conjoined steel ball (5 pcs/after-sale)	2	
7	1134100-015000	ZT250-S lower connection borad(self made/with ball head) assembly	1	
8	1224100-006000	ZT250-S Steering column down dustproof cover	1	【1】

#### PROCEDURE:

##### ●Disassembly

- Remove the lock washer(1).
- Remove the top adjusting nut (2) by using a hook wrench tools.
- Remove the rubber pad (3).
- With one hand to hold down the down connected plate assembly (7), the other hand use a special four-jaw set or hook wrench to remove the adjusting nut(2).
- Remove the upper dustproof cover(4).
- Remove the down connected plate component(7).
- Remove the axletee ring (5) of the upper riser and the steel ball(6).
- Remove the steel ball of the down connected plate component(7).

##### ●Assemble

- When reassembling, the conjoined steel beads should be painted lubricating grease,attention to the dosage.
- The torque of rating nut which closes to upper dustproof cover(4)is required to about 14N.m.so as to be able to rotate out of nimbleness.
- The top adjusting nut only needs to rotate to the bottom of the nut groove alignment, not too tight to prevent the rubber pad (3) from deformation too large.

##### CAUTION:

- Remove the head part component, handlebar component and front shock absorber component first .
- Please pay attentin to fix the awaiting repair motorcycles well during disassembly,prevent dumping by accident.
- Please check whether the steel beads of the conjoined body have abnormal phenomena such as partial abrasion and rust.If YES, please buy the regular accessories on ZONTES official website, if not, please be sure to grease the old grease and repaint the lubricating grease on it.
- It must be to check whether the steel ball is available during reassembly.
- It must be reasonable to adjust the steering, too loose will cause the locomotive to brake slightly, and the locomotive will shake slightly, too tight can lead to inflexibility, resulting in safety hazards.
- If you have the ability and the right tool, you can change the shaft ring (5) and the dustproof cover (8).During the replacement process, pay attention to the protection of the lower connected plate. After replacement, it must be to check the parallelism of the column and the damping hole, the vertical degree of the vertical column and the lower connected plate.

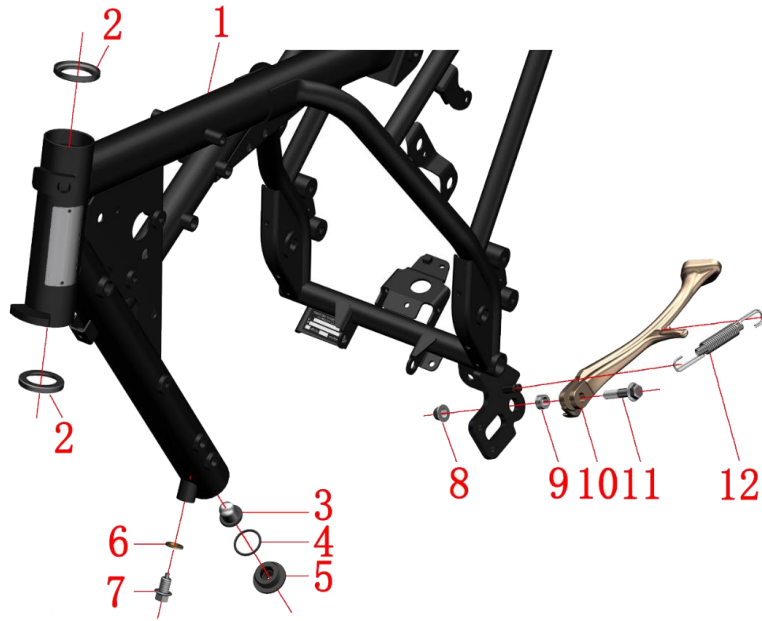


FIG.5 FRAME&ELECTRONIC PARTS COMPONENT		Frame, Side support, the operation of releasing engine oil	CHK ADJ	CAUTION
NO.	PART NO.	PART NAME	QTY	
1	4014100-011000	ZT250—R frame II after—sales assembly (ABS version / including seat / nameplate / national IV)	1	Inland
	4014100-012000	ZT250—R frame II after—sale assembly (ABS version / including seat / nameplate / Euro IV)		Export
2	1130900-052000	ZT250-S upper steel bowl (after-sale)	2	For after-sale
3	1274100-006000	ZT250—S Frame engine oil filter screen	1	
4	1051453-003000	27.4×2.65 Acrylate O gule cushion loop	1	
5	1274100-024000	ZT250—S Oil cooling joint	1	
6	1244100-033000	Sealing gasketφ12×φ20×2	1	
7	1251100-066093	M12×1.5×15 Ablassschraube (color zinc)	1	24±4N.m
8	1251300-057093	Non-standard bolt M10×1.5 (dacromet)	1	
9	1251700-025091	ZT250—S Side support bush	1	
10	4024100-001000	ZT250—S Side support	1	
11	1251100-088094	Non-standard bol M10×1.5×43 (dacromet)	1	
12	1260300-079093	ZT250-S side stand spring(after-sale)	1	

#### PROCEDURE:

##### ●Checking the cushion loop

Checking whether the cushion loop (2) is frayed, if as it, please replace it on ZONTES website, fix the cushion loop well and paint the lubricating grease on it with appropriate tool.

##### ●Replacing the engine oil filter screen

Put the oil pan on the bottom and use the appropriate tools to remove the oil cold joint (5), O ring (4), and oil filter screen(3). When replacing the oil filter screen (3), the O-ring(4) must be replaced at the same time. The oil cooling joint(5) must be tightened well when re-assembling which meets the standard torque value.

##### ●Release the frame tube enging oil

Put the oil pan at the bottom, use the appropriate tool to remove the oil bolts(7) and the sealing gasket(6), and remove the oil from the frame tube. Refer to the instructions for detailed steps to replace the oil. It is recommended that the engine oil should be replaced with oil bolts (7) and sealing gasket(6) to prevent oil leakage.

##### ●Sider support

Use the cross screwdriver to remove the side support spring (12), and guard against the personal injury caused by spring contraction, remove the nuts (8) and bolts (11) with the appropriate tools. Remove the side support (10) and bush(12), paint the lubricating grease on the bush when re-assembling ,then put it into the frame(1).

#### CAUTION:

- Remove the wind deflector component, handle bar component, steering column component first.
- Paint the lubricating grease on the cushion ring to decrease the rotary resistance of front forklift.
- The waste oil needs to be collected and returned to qualified institutions. It is forbidden to dump and pollute the environment and the source of water.
- Pay attention to safety when mounting side support spring.
- All parts should be correctly assembled.
- The Chinese frame after-sales assembly includes 3C nameplate, seat ring and packaging carton. The export frame after-sales assembly includes Euro IV nameplate, seat ring, and carton not included.

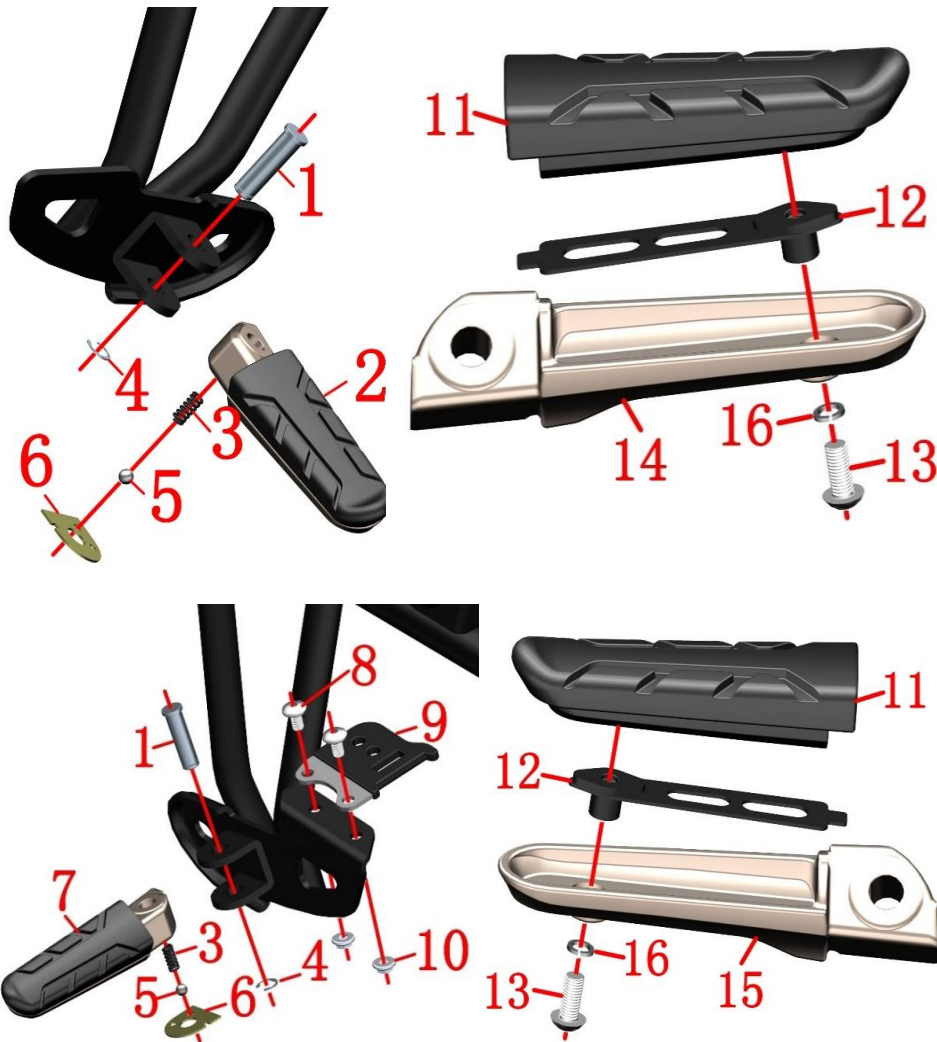


FIG.6 FRAME&ELECTRONIC PARTS COMPONENT		Rear pedal COMPONENT		CHK	CAUTION
NO.	PART NO.	PART NAME	QTY	ADJ	
1	1274100-012000	ZT250—S Pedal axis pin	2		
2	1274200-061000	ZT310—X rear right footrest	1		
3	1264100-005000	ZT250—S Pedal Steel ball spring	2		
4	1264100-006000	ZT250—S Pedal clamp spring	2		
5	1274100-010000	ZT250—S Rear pedal steel ball	2		
6	1274100-052000	ZT250—S Rear pedal locating plate	2		
7	1274200-062000	ZT310—X rear left footrest	1		
8	1251100-101000	Non—standard bolt M6×12 (304 stainless steel)	2		
9	1274100-100000	ZT250—R disc brake lock bracket	1		【1】
10	1250303-040093	GB6177.1M6 (environmental color)(5 pcs/after-sale)	2		
11	1244200-024000	ZT310—X footrest gum cover	2		【2】
12	1274200-051000	ZT310—X footrest gum cover fixed plate	2		
13	1250205-038000	GB70.2M5×12(stainless steel)	2		
14	1032142-040000	ZT310 - X rear left pedal	1		
15	1032142-039000	ZT310 - X rear right pedal	1		
16	1250501-010000	GB93φ6 spring pad	2		

PROCEDURE:

●Disassembly rear pedal

Pry open the clamp spring (4), then push the pedal pin shaft(1)out with tools.Pull the pedal (2) or (7) outward.

● Assemble rear pedal

Place one side with two holes of pedal horizontally and put the pedal spring (3) in the pedal (2) or (7) in the small hole.

Put the steel ball (5) inside,compress the steel ball and spring with the positioning plate(6).

Assemble the pedal on the frame and distinguish the right, left pedal.

The axis pin (1) is inserted after the pedal hole is aligned with the pedal support mounting hole.

Insert the clamp spring(4) into the pin shaft slot.

● disc brake lock bracket

Fix the bolt (8) with a hexagonal tool and remove the nut (10) with a sleeve, and finally remove the disc brake lock bracket (9) from the frame.

● Foot pedal with rubber for after sales service

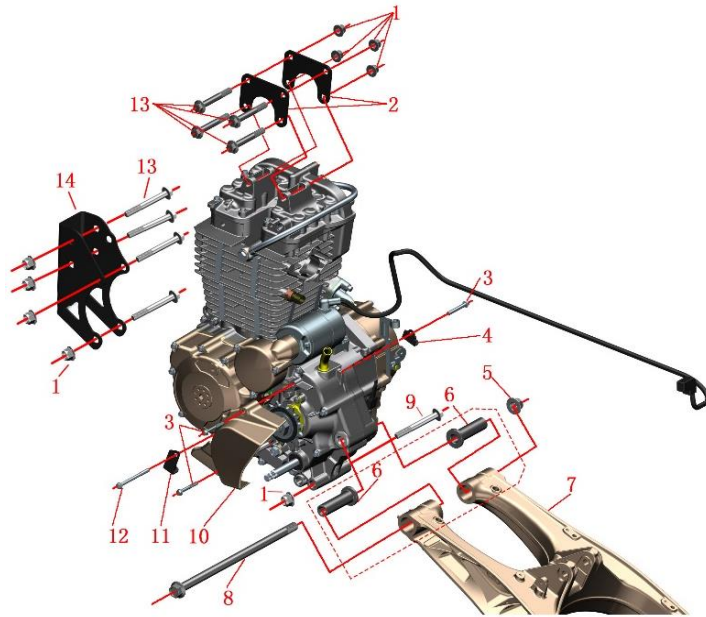
Grasp the left rear pedal (14) or right rear pedal (15), remove the bolt (13) with an allen tool, and remove the spring washer (16). Remove the rubber sleeve (11) and the fixing piece (12).

CAUTION:

● Take care of the material when removing the pedal.

● 【1】 Only suitable for TOP DOG disc brake lock RE008 and TOP DOG disc brake lock RE0081, other models are not adapted.

● 【2】 Only for after-sales replacement of worn-out pedal parts.



## PROCEDURE:

## ●Chain wheel cover

Dismantle the left side bolt (3) of the engine with the sleeve and remove the chain wheel cover (10).

## ●Bracket engine hanging

Use the sleeve to cover the head of the bolt (13) then dismantle the nut (1) with the sleeve. Remove the bolt then dismantle the bracket (14).

Use the sleeve to cover the head of the bolt (9), remove the nut (1) with the sleeve, then remove the bolts.

## ●Hanging piece

Use the sleeve to cover the head of the bolt (13) and remove the nut (1) with the sleeve. Can not remove the bolt (13) and the hanging piece (2).

## ●Engine middle part, frame and rear forklift component

Use the sleeve to cover the head of the bolt (8) and remove the nut (5) with the sleeve. Other parts cannot be removed.

## ●Engine

Both persons hold the left and right boxes of the engine. One person takes the bolt (13) and hanging piece (2) off. Remove the rear flat fork ASSY (7). Support the engine to shift to one side, and pay attention to safety during the movement. Put the engine flat on the ground.

## ●Wind deflector support, rear forklift sleeve

Remove the bolts (3) with the sleeve then remove the left support (11) and right support (4) of the wind deflector.

FIG.1 FRAME&ENGINE		FRAME&ENGINE	CHK	CAUTION
NO.	PART NO.	PART NAME	ADJ	
1	1251300-057093	Non-standard nut M10×1.5 (dacromet)	9	
2	1020241-225000	ZT250—R Upper hanging piece	2	out of stock
	1020242-385000	ZT310—V Upper hanging piece		
3	1251112-003093	M6×45 Hexagonal flange face 9.8 level bolt.	3	
4	1274100-033000	ZT250—S Right support of down wind deflector	1	
5	1251300-059093	125 Spindle nut of rear forklift M14×1.5 (dacromet)	1	
6	1274100-009000	ZT250—S The axle sleeve of rear forklift	2	
7	4024100-024000	ZT250 aluminum rear fork assembly(bearing/oil sealing)	1	
8	1252200-016093	250 Rear forklift axle Ø14×310 (dacromet)	1	
9	1251100-086093	Non-standard bolts M10×1.5×112 (dacromet)	1	
10	4044100-022051	ZT173YMM Output chain wheel cover	1	
11	1274100-034000	ZT250—S Lower wind deflector left support	1	
12	1251112-005093	M6×75 Hexagonal flange face 9.8 level bol	1	
13	1251100-132003	Non-standard bolts M10×1.5×80 (dacromet)	8	
14	4024100-031000	ZT250—R Bracket	1	

## CAUTION:

●It is necessary to remove the seat cushion, fuel tank, side cover, pedal support, wind deflector, shift lever, muffler, radiator and pipe, cable, air filter joint, chain, engine start motor positive line pole, etc.

●Use appropriate tools to support the motorcycle to prevent motorcycle dumping during disassembly. Single operation is forbidden.

●The waste oil needs to be collected and returned to qualified institutions. It is forbidden to dump and pollute the environment and the source of water.

●Please pay attention to safety to prevent accident.

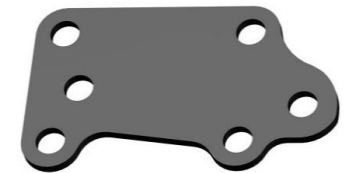
●It must be operated the engine with more than one people at the same time when removing the engine.

●All standard parts must meet the standard torque value when reassembling, and refill the engine oil according to the operation instruction.

●The "1020241-225000 ZT250—R Upper hanging piece" out of stock, it can replace by "1020242-385000 ZT310—V Upper hanging piece".



ZT250—R Upper hanging piece



ZT310—V Upper hanging piece

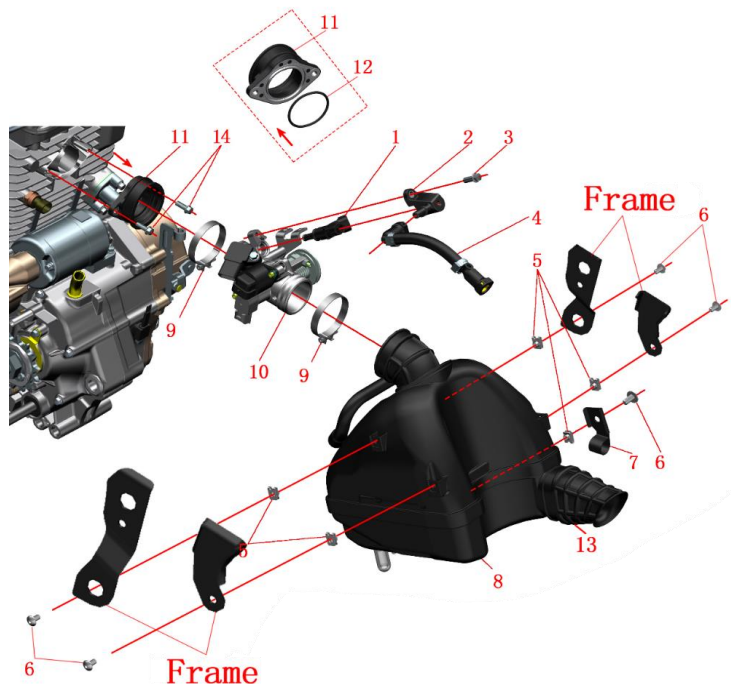


FIG.1 INDUCTION SYSTEM COMPONENT		Induction system component	CHK	CAUTION
NO.	PART NO.	PART NAME	ADJ	
1	1050954-007000	39—N008 gasoline injector	1	
2	1050954-008000	39 - N008 gasoline injector fixing device	1	
3	1251112-001093	M6×16 Hexagon flange bolts (color zinc)	1	
4	1050954-006000	ZT180MN high press fuel pipe of EFI	1	
5	1251300-063093	Plywood M6×11×15(color zinc)	5	
6	1251100-101000	Non - standard bolt M6×12 (304 stainless steel)	5	
7	1274100-076000	ZT250 - R rear disc brake pipe clamp (steel)	1	
8	1224200-058000	ZT310—R second generation air filter	1	
9	1051354-004000	Φ56×10 clamp components	2	
10	1050953-021000	TB35 throttle body parts	1	
11	1050953-022000	TB35 Induction-tube units	1	
12	1051453-007000	45×2.1 Fluoroelastomer O-ring	1	
13	1244100-083000	ZT310—R air filter small air inlet	1	
14	1251100-061093	M6×22 Hexagon flange bolt (color zinc)	2	

## PROCEDURE:

## ●High pressure oil pipe

Press anti-loose ring on the joint of the fuel pump joint which is close to high pressure oil pipe (4), then pull it out directly, the balance fuel in the tube needs to be connected to the oil pot. Please prevent fuel dripping onto any part of the vehicle. Press the anti-loose card ring near the injector fixator(2) to unplug the high-pressure oil pipe, as picture shown, smoking and lighting fires are strictly forbidden during disassembly.

## ●Air filter

Remove the bolts (6) with the inner hex sockets tool, pull the the tubing clip(7)out from the disc brake pipe and take it out. Loosen the pipe hoop assembly on the air filter (9), clamp on the exhaust pipe and unplug the exhaust pipe from the exhaust outlet of the engine. Then use the rubber plug to prevent the foreign body from entering the damaged engine. Remove the air filter (8) and plywood nut (5).Remove the small air inlet(13) from air filter(8).

## ●Throttle valve component

Remove the bolts (14) with the club wrench and remove the throttle valve assembly. Loosen and remove the pipe band (9) between the induction manifold assembly (11) and the throttle part (1),Remove the O ring (12) from the induction pipe assembly.Remove the screw (3) of the fuel injector fixator (2) with the sleeve and remove the fixer and the fuel injector (1).


## CAUTION:

- First it need to remove the cushion,side cover,oil tank outside cover and liner,rear shock absorber and electrical device box etc.
- When removing the high pressure oil pipe,It is sure to operate until the engine and muffler are completely cooled.Prevent accidental ignition of fuel and cause fire
- Fireworks, answering or dialing should be strictly prohibited near the car-breaking site to prevent accidents.







FIG.3 INDUCTION SYSTEM COMPONENT		Replace the air filter element	CHK	
			ADJ	
NO.	PART NO.	PART NAME	QTY	CAUTION
1	1224100-024000	ZT250—S Plastic connector block	1	
2	1226400-174000	ZT310—R air filter element (with carton packaging)	1	After sale

**PROCEDURE:**

## ● Filter element

If you need to maintain the filter element of the air filter, remove the plastic connection piece (1). Press the a-end of the right side cover to pull out forcibly, then pull out the b-end, remove the right cover assembly; Similarly remove the left cover assembly. Take the two standard parts ① out of air filter with the tool, dismantle the box cover ②, then extract the filter element (2). Blow the dust off the filter core by blowing dust gun in the filter element. If the blowback causes the dust to be unable to clean up, the engine will be damaged or the induction resistance will become larger and affect the driving experience. If there is any damage, please log on the official website and purchase another parts.

**CAUTION:**

- Regularly check whether the filter element of the carbon tank and air filter is not ventilated, otherwise it may cause the oil supply to affect the driving experience.
- When blowing dust, pay attention to maintain a certain distance to avoid excessive damage to the filter element.
- When assembling the side cover assembly, you should install end b first, then end a, and finally press c to snap the decorative cover to the frame tube.

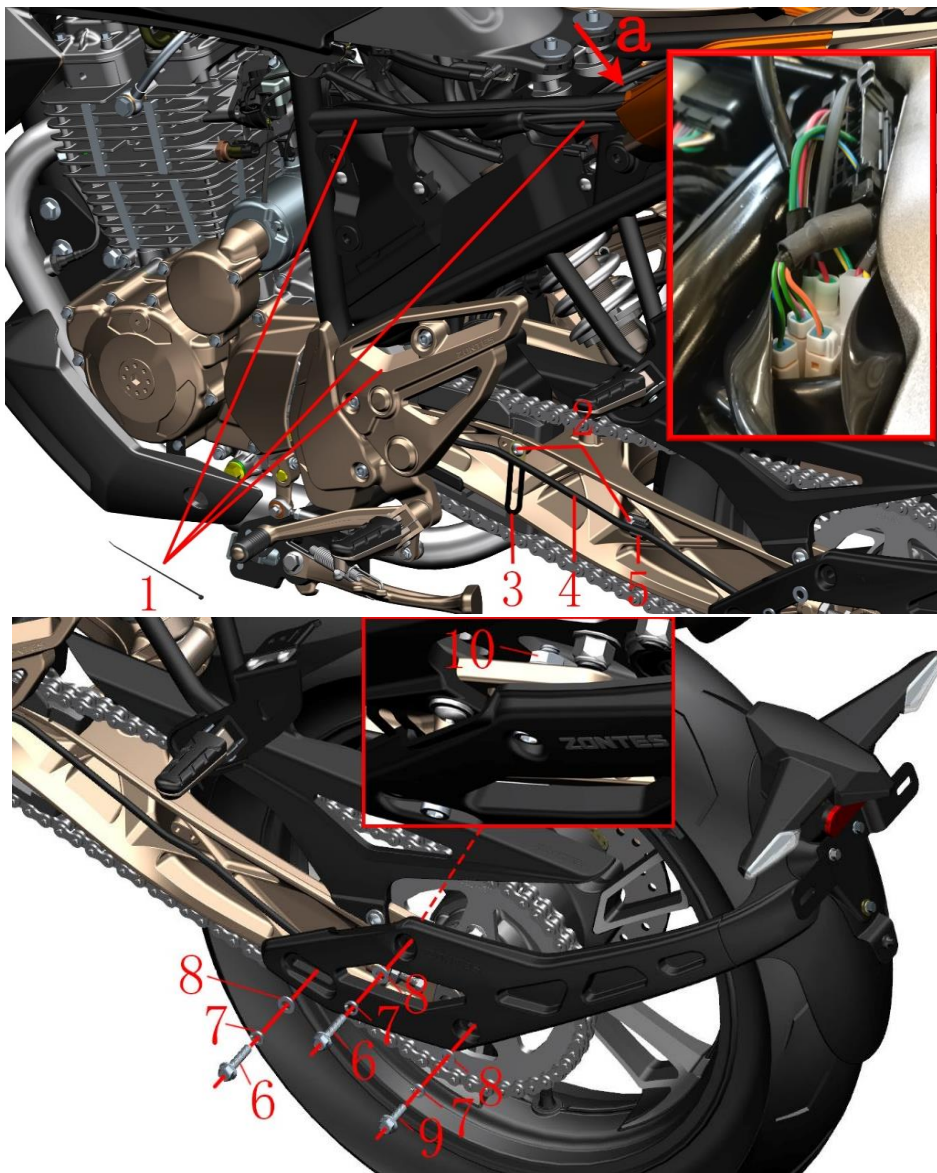


FIG.1 REAR FORKLIFT COMPONENT		Old Rear sub mudguard component 1	CHK	CAUTION
NO.	PART NO.	PART NAME	ADJ	
1	1226000-218000	pcs/after-sale)	3	
2	1251100-101000	Non—standard bolt M6×12 (304 stainless steel)	2	
3	1276001-054000	φ8 clip(L=73)(5 pcs/after-sale)	1	
4	1184100-114000	ZT250—R auxiliary fender extension cable	1	
5	1224200-003000	ZT310 - Z Rear disc brake pipe clamp	1	
6	1250105-143093	GB5789M8×35 (environmental color)	2	
7	1250501-007093	GB93φ8(color zinc)	3	
8	1250503-021093	GB97.1φ8 (environmental color)	3	
9	1250105-148093	GB5789M8×25(color zinc )	1	
10	1250303-011093	GB6177.1M8(color zinc)	1	

PROCEDURE:

- Rear vice fender assembly  
Find interface a and unplug three plugs.  
Cut off or use a tool to untie the cable tie(1).  
Pull straight the clip(3).Remove bolt(2), take off the clip(3) and disc brake oil pipe clamp(5).  
Use plum blossom wrench to tightent the nut(10) and disassemble bolt(6) which is close to "ZONTES" mark with a sleeve.And remove the spring pad(7),flat pad(8)and nut(10).  
Hold the Rear vice fender assembly and disassemble bolt(6) and bolt(9) with a sleeve. Take off spring pad(7) and flat pad(8).  
Take off the Rear vice fender connecting cable(4)and rear vice fender assembly.

CAUTION:

- The seat cushion, left side cover, etc. must be removed in advance.
- Do not pull the cable hard when removing the vice fender connecting cable.
- When reassembling, make sure that the torque of the three M8 bolts reaches 35N.m, and you need to apply the thread fastening glue first. Before tightening the bolts, check that there is any pressure on the wires to prevent short circuits when tightening the bolts.



FIG.2 REAR FORKLIFT COMPONENT		Old Rear sub mudguard component 2	CHK	CAUTION
			ADJ	
NO.	PART NO.	PART NAME	QTY	
1	1020242-149022	Rear spare fender alluminum alloy bracket	1	
2	1224200-014000	ZT310 - R cable block plate of rear vice fender	1	
3	1241200-124021	pcs/after-sale)	5	
4	1274100-155095	pcs/after-sale)	5	
5	1251100-101000	Non - standard bolt M6×12 (304 stainless steel)	4	
6	1020242-150022	Rear spare fender alluminum alloy fender	1	
7	1251300-063093	Plywood M6×11×15(color zinc)	2	
8	1174200-011000	ZT310 - X Rear turning light(with licensed lights)	1	
9	1270300-039000	HJ125 - 6 rear license light bracket	1	
10	1251112-001093	M6×16 Hexagon flange bolts (color zinc)	2	
11	1251100-061093	M6×22 Hex flang bolt thread level 8.8 (color zinc)	1	
12	1244100-136000	ZT250-S rear liceness buffer rubber(5 pcs/after-sale)	1	
13	1224200-015000	ZT310—R support of rear license plate light	1	
14	1174100-015000	ZT250-S rear reflector(after-sale)	1	
15	1184100-114000	ZT250—R auxiliary fender extension cable	1	

## PROCEDURE:

## ●Retaining plate

Remove the bolts(5), remove the flange bushing(4)the rubber pad(3), and finally remove the retaining plate(2).

## ●Back license plate bracket assembly

Remove the bolt(10)and nut(11)at the license bracket(9),and remove the license bracket(9).

Pull out the license plate buffer (12) from the bracket. Hold the rear turn signal lamp assembly, remove the bolt (10) at b, remove the flange bushing (4), and the rubber pad (3); remove the rear license plate lamp bracket (13) and the rear turn signal assembly. Pull out the adapter cable from the outlet hole of the aluminum alloy bracket (1) and the water retaining skin (6). Remove the baffle (6). Turn to the back and remove the nut ① that comes with the rear reflector (14).

## CAUTION:

●Do not pull the cable hard when removing the sub-mud switch.

●When reassembling, first check if there is any pressure on the wire to prevent short circuit when tightening the bolt.

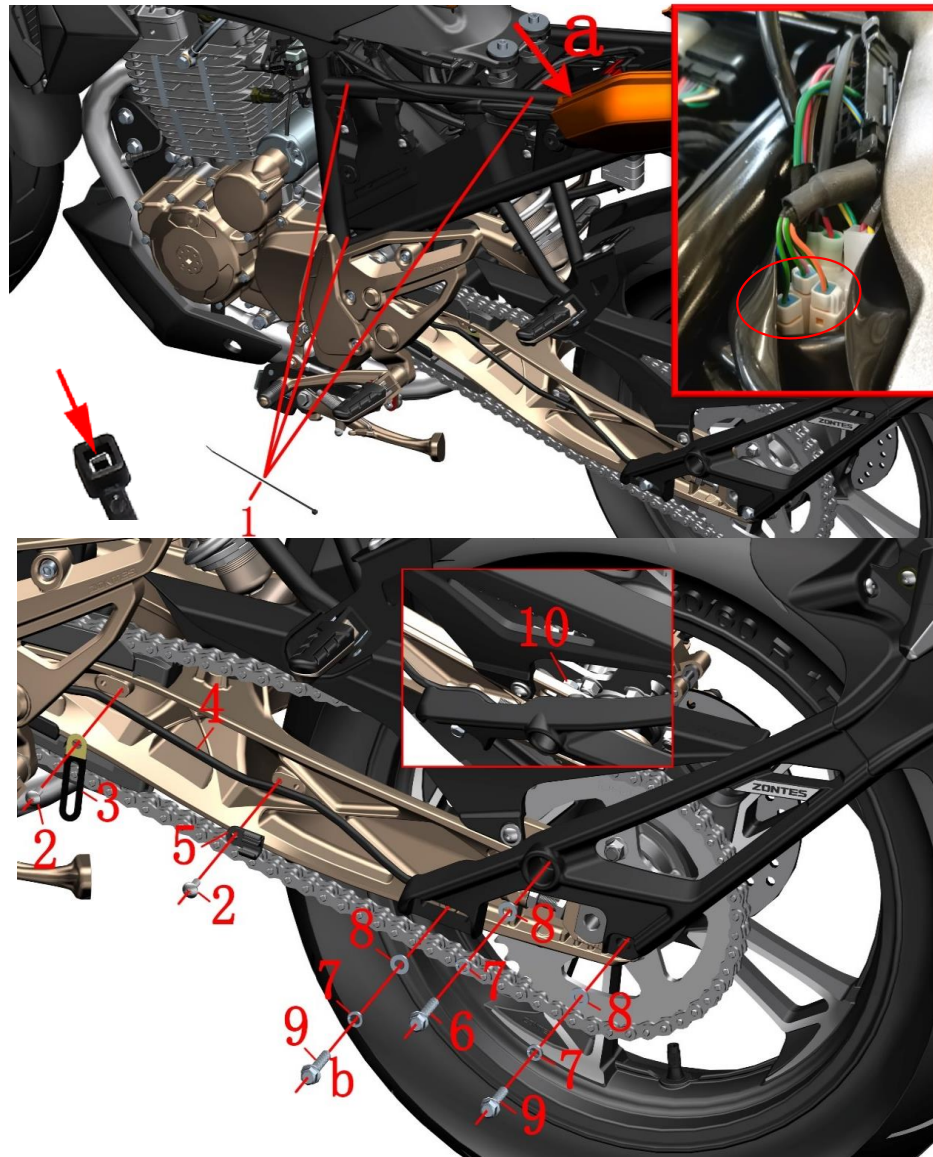


FIG.3 REAR FORKLIFT COMPONENT		New Rear sub mudguard component 1	CHK	CAUTION
			ADJ	
NO.	PART NO.	PART NAME	QTY	
1	1226000-218000	pcs/after-sale)	3	
2	1251100-101000	Non - standard bolt M6×12 (304 stainless steel)	2	
3	1276001-054000	φ8 clip(L=73)(5 pcs/after-sale)	1	
4	1184100-114000	ZT250—R auxiliary fender extension cable	1	
5	1224200-003000	ZT310 - Z Rear disc brake pipe clamp	1	
6	1250105-143093	GB5789M8×35 (environmental color)	1	
7	1250501-007093	GB93φ8(color zinc)	3	
8	1250503-021093	GB97.1φ8 (environmental color)	3	
9	1250105-149093	GB5789M8×30 (environmental color)	2	
10	1250303-011093	GB6177.1M8(color zinc)	1	

**PROCEDURE:**

- Rear vice fender assembly  
Find interface a and unplug three plugs.Cut off or use a tool to untie the cable tie(1). Pull straight the clip(3).Remove bolt(2), take off the clip(3) and disc brake oil pipe clamp(5). Use plum blossom wrench to tightent the nut(10) and disassemble bolt(6) which is close to "ZONTES" mark with a sleeve.And remove the spring pad(7),flat pad(8)and nut(10).  
Hold the Rear vice fender assembly and disassemble bolt(6) and bolt(9) with a sleeve. Take off spring pad(7) and flat pad(8).  
Take off the Rear vice fender connecting cable(4)and rear vice fender assembly.

**CAUTION:**

- The seat cushion, left side cover, etc. must be removed in advance.
- Do not pull the cable hard when removing the vice fender connecting cable.
- When reassembling, make sure that the torque of the three M8 bolts reaches 35N.m, and you need to apply the thread fastening glue first. Before tightening the bolts, check that there is any pressure on the wires to prevent short circuits when tightening the bolts.
- Since November 12, 2019, the bolt length at b is changed from 35 to 30.

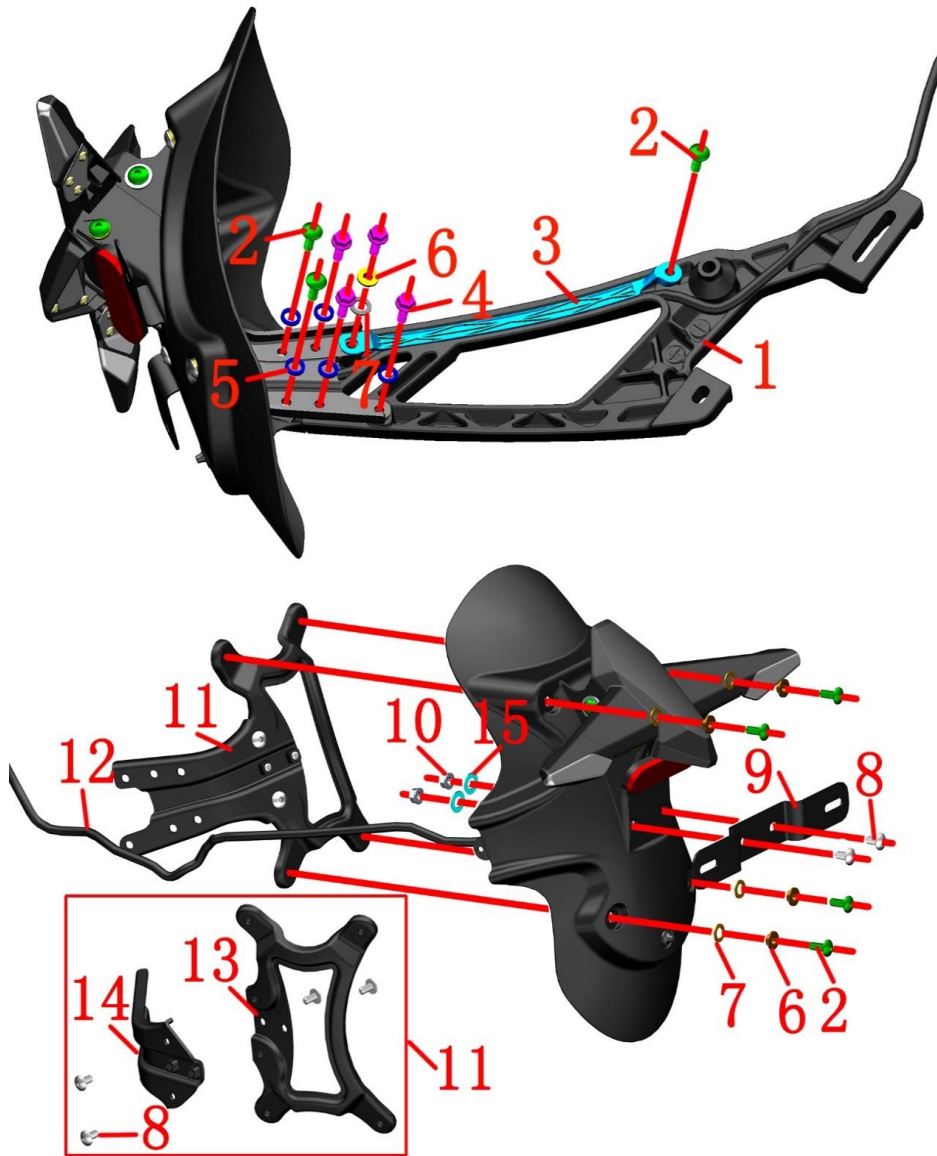


FIG.4 REAR FORKLIFT COMPONENT		Rear sub mudguard component 2	CHK	CAUTION
			ADJ	
NO.	PART NO.	PART NAME	QTY	
1	1020242-263021	ZT310 rear auxiliary fender aluminum alloy bracket (home made)	1	
2	1251100-102000	Non—standard bolt M6×16(304 stainless steel)	7	
3	1224200-090000	ZT310 rear auxiliary fender retaining plate	1	
4	1250105-137093	GB5789M6×16(color zinc)	4	
5	1250501-007093	GB93φ8(color zinc)	5	
6	1274100-155095	pcs/after-sale)	5	
7	1241200-124021	pcs/after-sale)	5	
8	1251100-101000	Non—standard bolt M6×12 (304 stainless steel)	6	
9	1270300-039000	HJ125—6 rear license light bracket	1	
10	1250303-040093	GB6177.1M6 (environmental color)(5 pcs/after-sale)	2	
11	4024200-102000	ZT310—R rear sub—plate iron bracket assembly (improved)	1	
12	1184100-114000	ZT250—R auxiliary fender extension cable	1	
13	4024200-036000	ZT310-V rear auxiliary fender iron support rear section	1	After sales
14	4024200-101000	ZT310 rear auxiliary fender iron support front section	1	
15	1250503-021093	GB97.1φ8 (environmental color)	2	

## PROCEDURE:

## ● Retaining plate

Remove the bolts(2)and (4), remove the flange bushing (6) the rubber pad(7), and finally remove the retaining plate(3).

## ● Aluminum alloy bracket

Remove the 2 pcs of bolt(8) and 3 pcs of (4), then remove 5 pcs of spring washer(5).Separate the aluminum bracket from the rear auxiliary fender assembly.

## ● Back license plate bracket assembly

Remove the bolt(8) and nut(10) at the license bracket(9) and remove the license bracket(9).

## ● Rear auxiliary mud plate iron bracket

Hold the rear turn signal assembly, remove the bolt(2), and remove the flange bushing(6) and rubber pad(7).

Remove the rear sub-mud iron bracket(11)and rear turn signal assembly.

The old one-piece iron bracket has been discontinued, and the integrated iron bracket assembly (11) needs to be replaced. The assembly already contains the front section (14), the rear section (13) and 4 bolts (8).

## CAUTION:

● Do not pull the cable hard when removing the sub-mud switch.

● When reassembling, first check if there is any pressure on the wire to prevent short circuit when tightening the bolt.

● 2 pcs GB97.1φ8 have been added to motorcycle manufactured by July 2021.Early production can add by yourself.

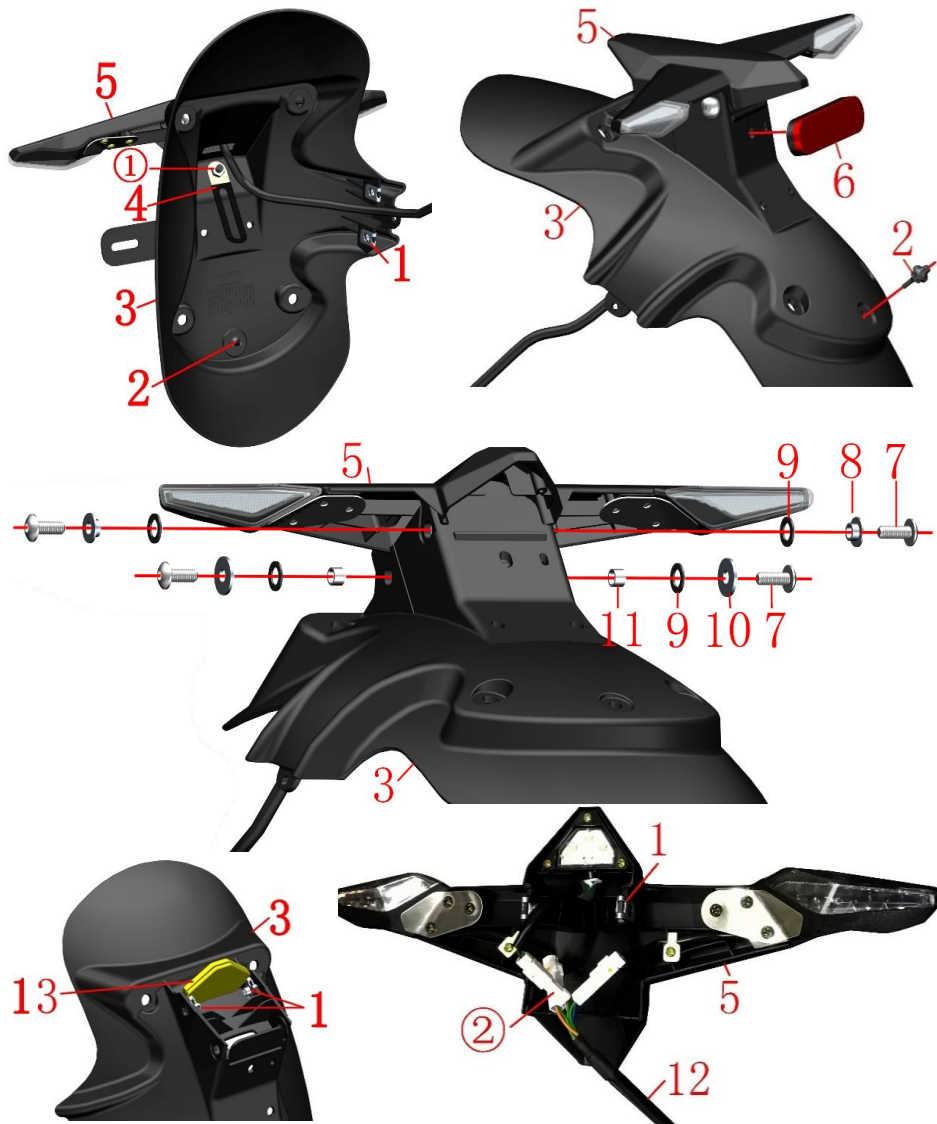


FIG.5 REAR FORKLIFT COMPONENT		New Rear sub mudguard component 3	CHK	
			ADJ	
NO.	PART NO.	PART NAME	QTY	CAUTION
1	1251300-063093	Plywood M6×11×15(color zinc)	6	
2	1244100-136000	ZT250-S rear liceness buffer rubber(5 pcs/after-sale)	1	
3	1224200-091000	ZT310 - R rear mudguard fender	1	
4	1276001-054000	φ8 clip(L=73)(5 pcs/after-sale)	1	
5	1174200-035000	ZT310 rear turn signal (including license plate light)	1	
6	1174100-015000	ZT250-S rear reflector(after-sale)	1	
7	1251100-102000	Non - standard bolt M6×16(304 stainless steel)	4	
8	1274100-155095	Flanged bushing φ6.2×φ8.4×3.5+φ14×1.5(5 pcs/after-sale)	2	
9	1241200-124021	flanging bushing buffer rubber (φ8.5×φ14×1)(5 pcs/after-sale)	4	
10	1250502-010093	GB96.1φ6(color zinc)	2	
11	1274100-018000	ZT250—S anti—hot plate sleeve, muffler	2	
12	1184100-114000	ZT250—R auxiliary fender extension cable	1	
13	1244200-082000	ZT310 Rear sub fender wire rubber plug	1	<b>【1】</b>

## PROCEDURE:

## ●Back reflector, license plate cushion rubber

Flip to the back, remove the nut① that comes with the rear reflector(6), remove the clamp(4) and the back reflector. Remove the plate cushion rubber(2) and remove the 2 plywood nuts(1) on the back of the rear mudguard fender(3).

## ●Steering lights, fender sub-assemblies

Remove the bolts(7)on the left and right sides, and remove the flange bushing (8),cushion rubber(9),anti-scalding bushing (11) and gasket(10). Disassemble the turn signal and fender subassembly. Note that the sub-mud switch cable(12)cannot be forcibly pulled.

## ●fender sub-assembly

Remove the 2 plywood nuts(1) and retaining rubber plug(13)from the fender subassembly(3).

## ●turn signal subassembly

Remove the 2 plywood nuts(1) from the turn signal(5). Remove the 3 joints of② and remove the sub-mud switch cable(12).

## CAUTION:

●Do not pull the cable hard when removing the sub-mud switch.

●When reassembling, check if there is any pressure on the wire to prevent it from tightening. Short circuit caused by bolts. Pay attention to the lamp connector, do not insert the wrong, turn left Green + orange; right turn signal is green + blue; license plate light is green + pink.

● **【1】** Add a rubber plug on March 11,2019.Vehicles produced before are not equipped with this rubber plug as standard. You can purchase additional parts by yourself.

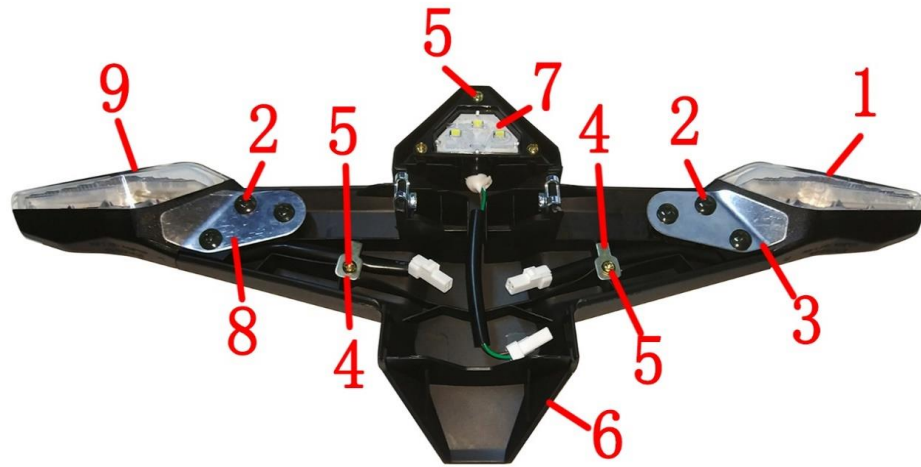
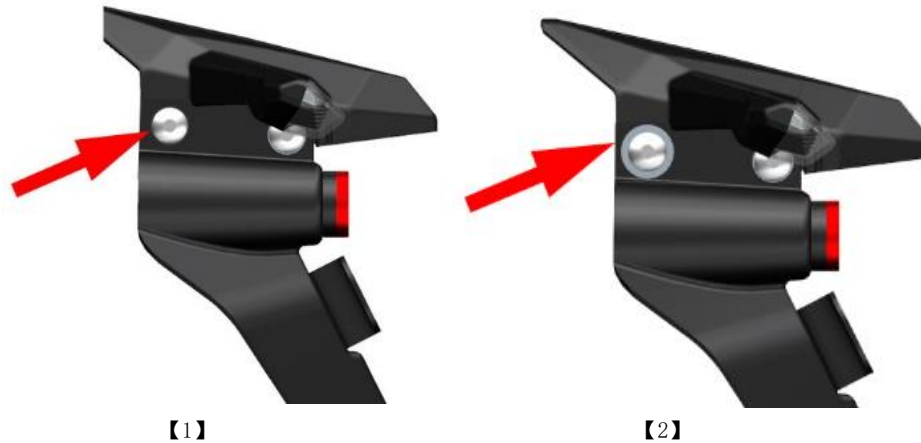


FIG.6 REAR FORKLIFT COMPONENT		Rear turning light parts for after sales service	CHK	
NO.	PART NO.	PART NAME	ADJ	
1	1174200-020000	ZT310-X Rear right turning light	1	CAUTION
2	1251200-056095	Non-standard cross self-tapping screw ST3.8×10 (military green)	6	
3	1274200-331000	ZT310-X rear right turn signal fixing bracket	1	
4	1274200-332000	ZT310 rear turn signal fixing wire clip	2	
5	1251200-101000	Non-standard cross self-tapping screw ST3.0×7 (color zinc)(5 pcs/after-sale)	5	
6	1224200-062000	ZT310 - X Rear turning light bracket	1	【1】
	1224200-120000	ZT310 rear turn signal bracket		【2】
7	1174200-021000	ZT310-X Liensed lights	1	
8	1274200-330000	ZT310-X rear left turn signal fixing bracket	1	
9	1174200-019000	ZT310-X Rear left turning light	1	



**PROCEDURE:**

- Rear turning light (license lamp included)

Grip the rear turning light holder (6) then disassemble bolts(5) on the license lamp(7).  
 Disassemble 3pcs bolts(2) on the diagram left side, and then dismantle left fixing bracket(8) ;disassembly the screw(5) and then reomove the clip(4),take off the left turning light(9).Follow the steps above dismantle right fixing bracket(3), clip(4) and right turning light(1).

**CAUTION:**

- while reassembling,check there is any pressure on the cable,in case of causing short circuit when tighten the bolt.
- 【1】 Selected for the old model rear fender motorcycle; 【2】 Selected for the new model rear fender motorcycle.

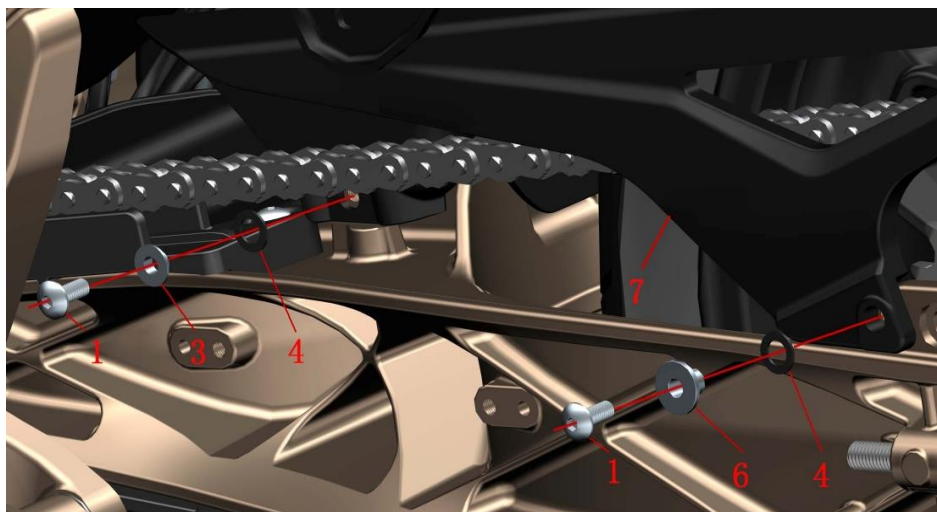
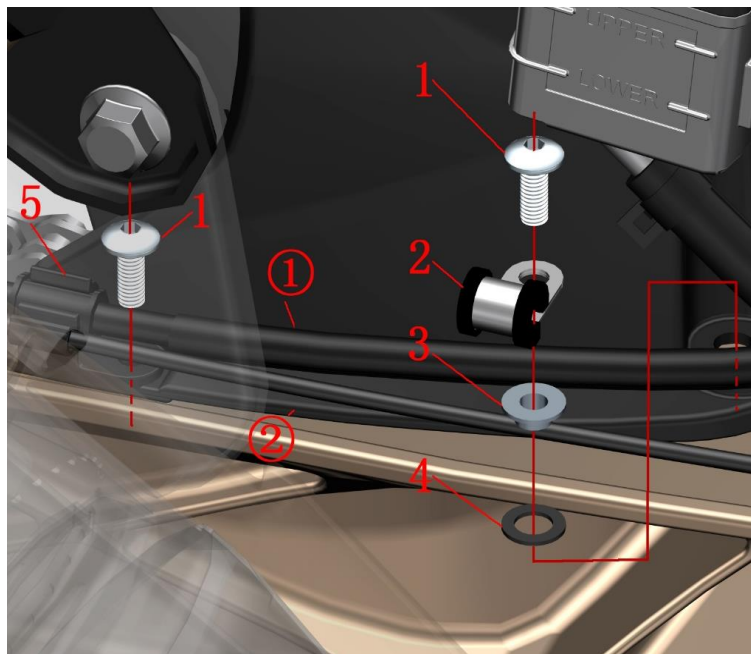


FIG.7 REAR FORKLIFT COMPONENT		Rear inner mudguard	CHK	CAUTION
			ADJ	
NO.	PART NO.	PART NAME	QTY	
1	1251112-001093	M6×16 Hexagon flange bolts (color zinc)	1	
2	1274100-088000	ZT250—R rear disc brake oil pipe clamp (steel parts/ rubber pad)	1	
3	1274100-155095	Flanged bushing $\phi 6.2 \times \phi 8.4 \times 3.5 + \phi 14 \times 1.5$ (5 pcs/after-sale)	2	
4	1241200-124021	flanging bushing buffer rubber ( $\phi 8.5 \times \phi 14 \times 1$ )(5 pcs/after-sale)	3	
5	1224200-003000	ZT310—Z Rear disc brake pipe clamp	1	
6	1251100-102000	Non—standard bolt M6×16(304 stainless steel)	3	
7	1251700-059093	Flanging bushing $\phi 6.4 \times \phi 9 \times 8 + \phi 18 \times 2$ (environmental color)	1	
8	1224200-002000	ZT310-Z Inner fender	1	

#### PROCEDURE:

##### ●Rear inner mudguard

First of all, pull out the braking oil tube① and wheel speed sensor cable②, which are on the right side of rear inner mudguard, from the slot of rear disc brake oil tube cleat⑤. Remove the 4 bolts① with the inner hexagon tool, remove the rear disc brake pipe clamp (steel parts/gluing pad)②, and the rear disc brake pipe clamp⑤, turn over the bush ③ and bush⑥, and turn over the liner. Buffer glue④. remove the rear inner fender ⑦.

#### CAUTION:

- Use suitable tools to support the motorcycle, in case of accidents caused by motorcycle falling down. Single person operating is prohibited.
- Stay alert throughout the process to prevent accidents.
- All standard parts must meet the standard torque value when reloading.

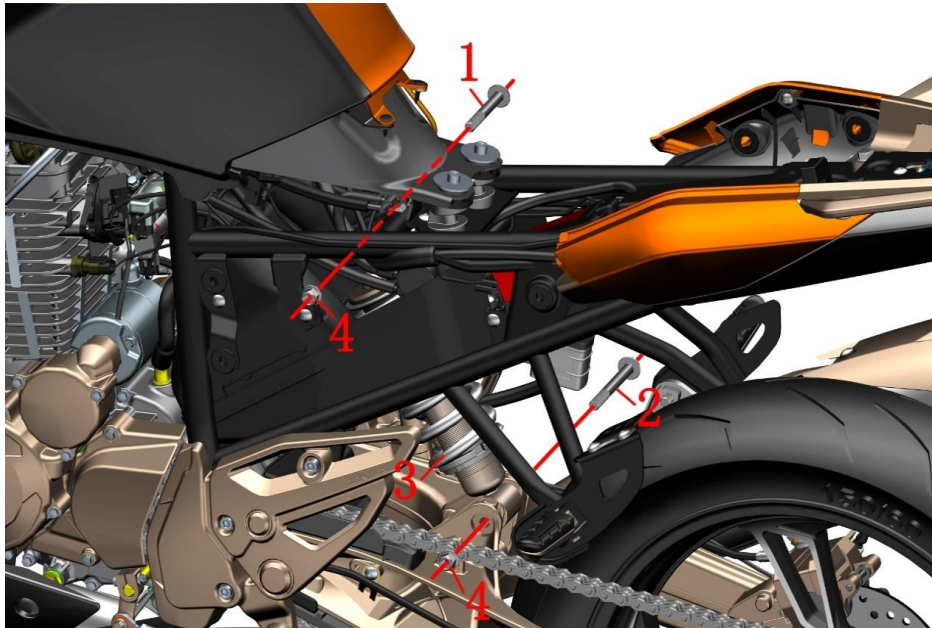


FIG.8 REAR FORKLIFT COMPONENT		Rear shock absorber		CHK	
				ADJ	
NO.	PART NO.	PART NAME		QTY	CAUTION
1	1251100-085093	Non - standard bolt M10×1.5×75(dacromet)		1	
2	1251100-060000	Non - standard bolts M10X1.5X90(dacromet)		1	
3	1114200-020000	ZT310—X rear shock absorption (improved version)		1	
4	1251300-057093	Non - standard nut M10×1.5(dacromet)		2	

#### PROCEDURE:

##### ●Rear shock absorber

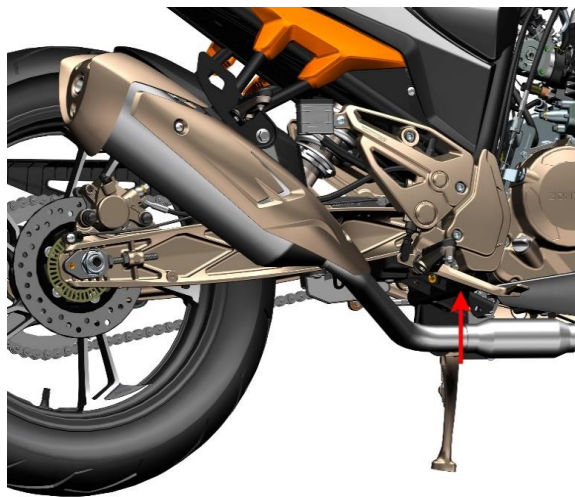
After the side bracket is lowered, one person's left hand will kill the direction to the left while the right hand grips and the foot pedals to tilt the vehicle to the left; the other person uses a wooden bench to press the muffler installation point on the right side of the vehicle (as shown in the lower left figure) to support the vehicle. The wheel is slightly off the ground. After the vehicle is supported, one person uses the sleeve to hold the heads of the bolts (1)and (2) respectively, and one person removes the nut (4) with a sleeve.

Person 1 shakes the rear wheel up and down slightly . Person 2 drags out bolt(2).

Person 1 holds the motorcyclefirmly . Person 2 lifts the rear shock absorber(3) towards the arrow direction and drag out bolt(1). Take off the rear absorber at last.

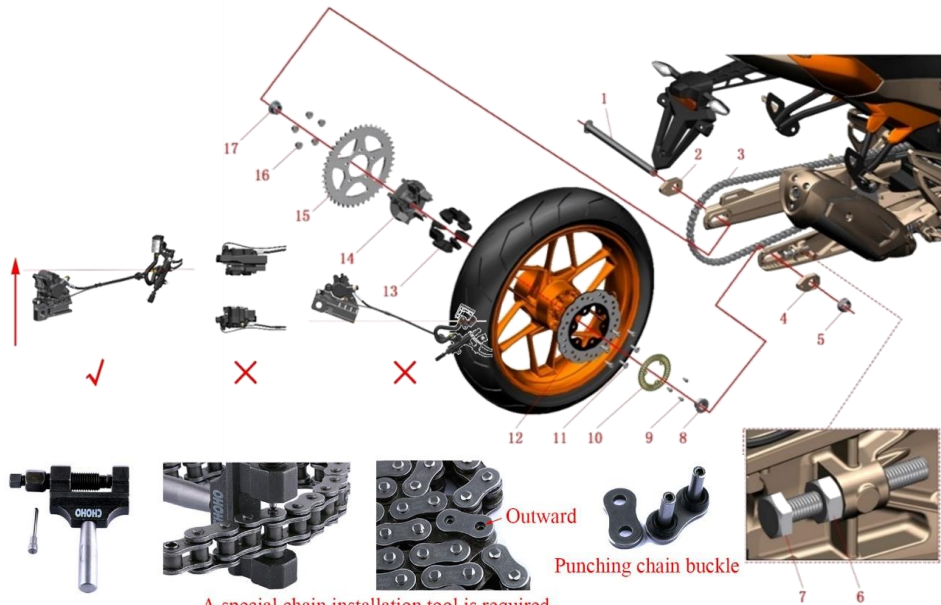
##### ●Adjust the rear absorberAdjust the rear absorber

Use hook wrench to loosen adjustable nut① and rotate adjustable nut②. If the nut②is rotated towards the arrow direction, the spring becomes harder. Conversely, the absorber is softer. Tighten the adjustive nut① until the absorber is under suitable status. Please adjust in a reasonable range, riding experience would be influenced by either the absorber is too soft or too hard.



#### CAUTION:

- Need to disassemble cushion,left side cover, right side cover,bolts on front parts of rear skirt and rear inner fender etc.
- Use suitable tool to support the motorcycle. Avoid accidents caused by falling down. Single person operate it is prohibited.
- All the standard parts need to reach standard torque while reassembling.



A special chain installation tool is required.  
This chain does not contain tools and must be purchased separately.

#### PROCEDURE:

##### ●Rear wheel assembly

Disassemble rear wheel axle nut(5)with socket sleeve.

Use open spanner to move chain adjuster nut (6)on both sides towards rear wheel axle until they reach chain adjusting bolt (7).Then rotate the bolt and nut towards motorcycle front direction till the end.。

Push rear wheel assembly towards motorcycle front direction and take off the chain(3)from sprocket(15).

Tie firmly the rear disc brake clamp and avoid it to be lifted higher than disc brake oil cup. Hold the rear wheel assembly. Punch rear wheel axle(6) with rubber hammer. Take off right chain adjuster(3), rear tire and rim assembly, left chain adjuster(5),the rear wheel axle(6).Disassemble the right axle sleeve(7), left axle sleeve(12) at last.

##### ●Brake disc, ABS ring

Remove the bolts(9)with the sleeve,and remove the ABS(10).Remove the bolts (11)with the inner hex tool and remove the brake disc(12).

##### ●Chain wheel seat, chain wheel

Separate the sprocket and sprocket components from the tire and rim components and remove the sprocket(15)after the nut (16) is removed with the sleeve.

##### ●Buffering rubber

Use a screwdriver to remove the buffer from the rim assembly and take care to prevent damage when disassembling

FIG.9 REAR FORKLIFT COMPONENT		Rear tire module	CHK	CAUTION
NO.	PART NO.		ADJ	
1	1094100-032000	ZT250-R Rear wheel hollow shaft	1	
2	1032142-072035	Left adjuster (Titanium)	1	
3	1080200-032000	114 Section chain	1	【1】
	1080200-055000	114 Section chain (Open type)		
4	1032142-073035	Right adjuster(Titanium)	1	
5	1251300-067000	Rear wheel hollow shaft nut	1	
6	1251300-050000	Adjuster nut M10 (304 stainless steel)	2	
7	1251100-105000	Adjuster bolts M10X70 (304 stainless steel)	2	
8	1274200-002000	Rear wheel right shaft sleeve $\phi 20 \times \phi 28 \times \phi 38 \times 18.5$	1	
9	1250104-006097	GB16674M6×12 (chroming/HH)	3	
10	1274100-054000	ABS9 Anti-lock system gear ring	1	
11	1251100-117093	Non-standard inner hexagonal bolt M8X25	6	
12	1104100-002000	Rear disk brake plate (200X4.5)	1	
13	1240100-210000	KD250-F Chain wheel buffering rubber	5	
14	1094100-029000	Chain wheel seat	1	
15	1080100-034000	Chain wheel	1	
16	1251300-057093	Non-standard bolts M10X1.5	5	
17	1094100-035000	ZT310 Rear wheel left shaft sleeve $\phi 20 \times \phi 30 \times \phi 35 \times 17.8$	1	

#### CAUTION:

- Use suitable tool to support the motorcycle. Avoid accidents caused by falling motorcycle. Single person manipulation is prohibited.
- Stay alert throughout the process to prevent accidents.
- Using iron hammer to punch rear wheel axle, disc brake clamp assembly is prohibitd.
- While disassembling the rear wheel assemble, avoid the rear disc brake clamp to be lifted higher than the disc brake oil cup. If not, air will get into the tubes and cause softness or failure on braking system. As disc brake tubes request extreamly high vaccum degree. Make sure manipulator has maintenance ability before disassembling the disc brake assembly.
- All standard parts must meet the standard torque value when reloading.
- 【1】 The original car is equipped with a chain without an opening, and the open type is convenient for after-sales replacement of the chain. A special chain installation tool is required. This chain does not contain tools and must be purchased separately.

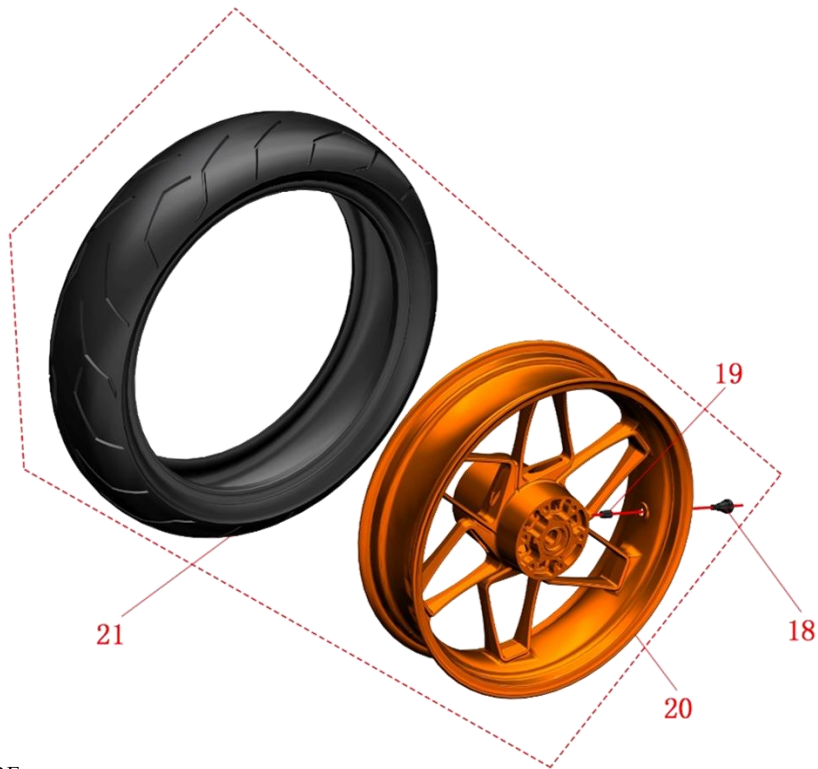


FIG.10 REAR FORKLIFT COMPONENT		Rear rim component	CHK	
			ADJ	
NO.	PART NO.	PART NAME	QTY	CAUTION
18	1230100-047000	Environmental color vacuum tire mouth	1	
19	1230200-006000	Tire valve cap	1	
20	1094100-041000	Bright orange rear wheel rim	1	orange
	1094100-047000	Bright green rear wheel rim		green
	1094100-045000	Bright blue rear wheel rim		blue
	1094100-043000	Rear wheel rim		black
21	1230100-207000	150/60R17TL environmental protection vacuum tire (CM609)	1	250kPa

**PROCEDURE:**

## ●Tire and Rim component

Remove the valve cap (19) and use the tool to release the gas and then remove the rear tyre (21) with a professional tire extractor. Finally, use the appropriate tool to remove the valve (18).

## ●Maintenance

Chain and sprocket: refer to the relevant instructions of the chain and sprocket. If you need to replace the chain, please refer to the frame Remove the relevant contents of the engine assembly and remove the flat fork. Refer to the contents of the manual to check and maintain.

Tire: should check regularly whether there are cracks, cracks, pressure and so on. If worn to tread wear mark must replace the same type of tire. Refer to the instructions in detail.

Rim: check the rim for deformation, cracks and other undesirable phenomena. Rotate the rim horizontally to check if there is the situation of stop and shaking.

Wheel shaft: check whether there is deformation or bending with a percentage.

brake plate: the thickness should not be less than 4mm, or it has to be changed.

**CAUTION:**

●Be careful when removing tires and rims to prevent damage.

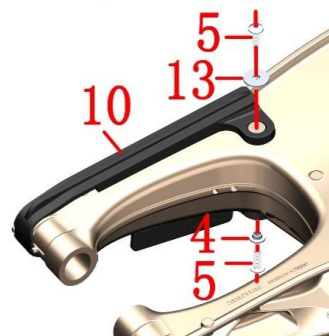
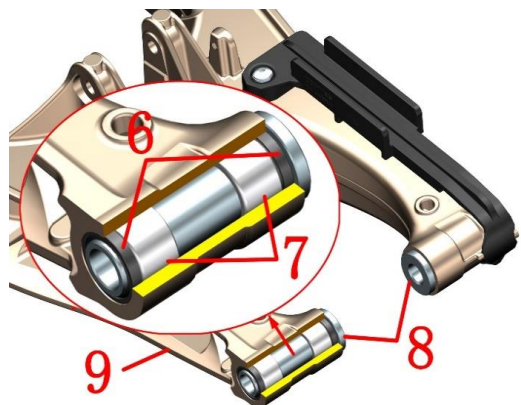
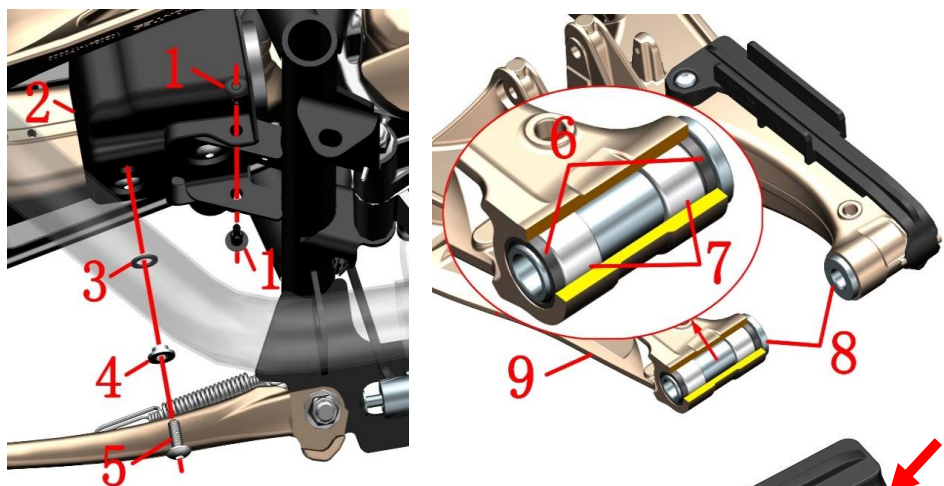
●After replacing the tire, check for air leakage and balance.

●Defective tire repair may corrode the rim and cause safety hazards.

●Tire pressure may cause abnormal wear; There is a risk of excessive tire pressure in summer.

●Check the tightness of the chain regularly and suggest to clean the chain once every 1500km. The chain relaxation should be suitable, too large and easy to be out of the chain to cause accidents or serious damage to the engine, too small to aggravate wear and shorten the chain life.

●After replacing the brake disc, it should be about 300 km to be fully integrated to achieve the best braking effect. Adequate braking distance should be set aside during grinding.



Improvements rear fork anti-bearing block

Old rear fork anti-bearing block

Old rear fork anti-bearing block

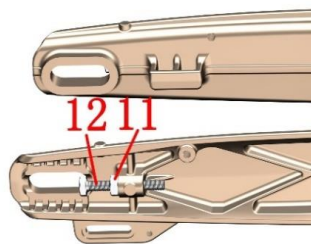


FIG.11 REAR FORKLIFT COMPONENT		Rear forklift component	CHK	
NO.	PART NO.		ADJ	
1	1224100-089000	ZT250-S Expansion nail(5 pcs/after-sale)	2	
2	1224100-047000	ZT250-R ABS hydraulic control unit protection	1	
3	1241200-124021	pcs/after-sale)	1	
4	1274100-155095	pcs/after-sale)	3	
5	1251100-102000	Non - standard bolt M6×16(304 stainless steel)	3	
6	1104100-005000	ZT250-S oil-sealed TC20×26×4	4	only for after-sale service
7	1094100-001000	ZT250-S needle bearing (HK2016)	4	
8	1274100-009000	ZT250-S rear fork shaft sleeve	2	
9	4024100-024000	ZT250 aluminum rear fork assembly(bearing/oil sealing	1	
10	1244100-066000	ZT310 - Z rear fork wear - resistance block	1	
11	1251300-050000	ZT310-Z chain adjuster bolt M10(304 stainless steel)	2	
12	1251100-105000	ZT310-Z chain adjuster bolt M10×70 (304 stainless	2	
13	1251500-097000	(environmental protection color)	1	

**PROCEDURE:**

- ABS liquid control unit protection  
Press the center part of the expansion nail (1) with the small cross screwdriver to remove the expansion nail. Remove the bolts (5) with the inner hexagon tool, remove the flanging bushing (4) and glue cushion (3), and finally remove the protective cover of ABS liquid control unit (2).
- Rear fork parts  
Remove the rear flat fork shaft, rear shock absorption, rear inner mud board, rear wheel assembly, muffler, etc. Remove the bolts(5) with the inner hexagon tool, turn over the flange (4), and remove the grinding block (10). Remove the screw of the switch (12) and the nut(11) by using the open spanner. Put the rear flat fork sleeve (8) to the inner top, then remove. Oil seal (6), needle roller bearing (7) is used for overloading, please ensure the ability to disassemble and decompose.

**CAUTION:**

- Be sure to fix up the motorcycle in the process of disassembly.
- If your motorcycle manufactured before Set.2,2019,it's need to be accompanied by the purchase of non-standard flat mats(13) when replace Rear fork anti-bearing block (10).

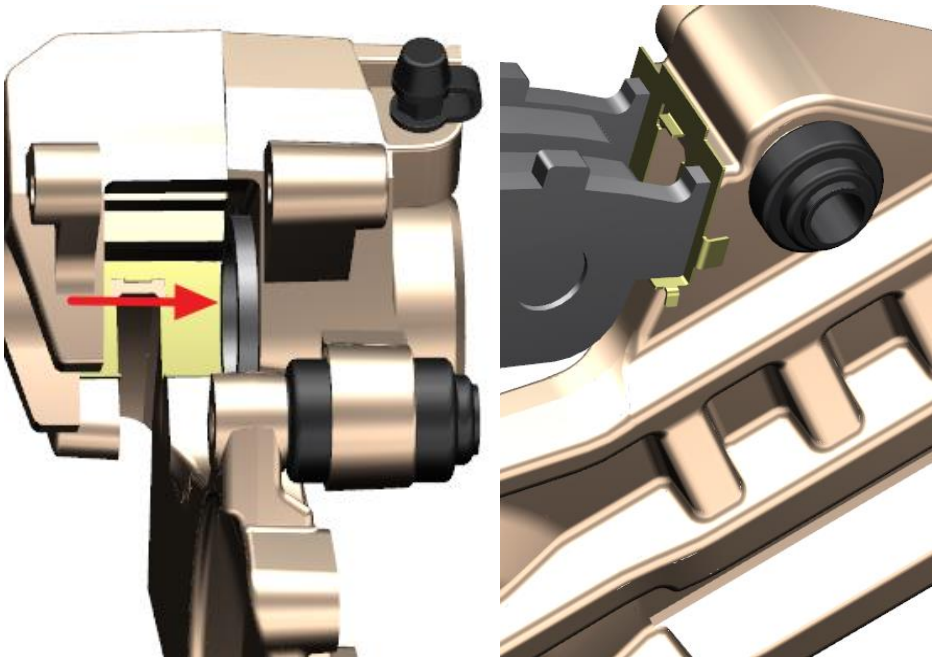
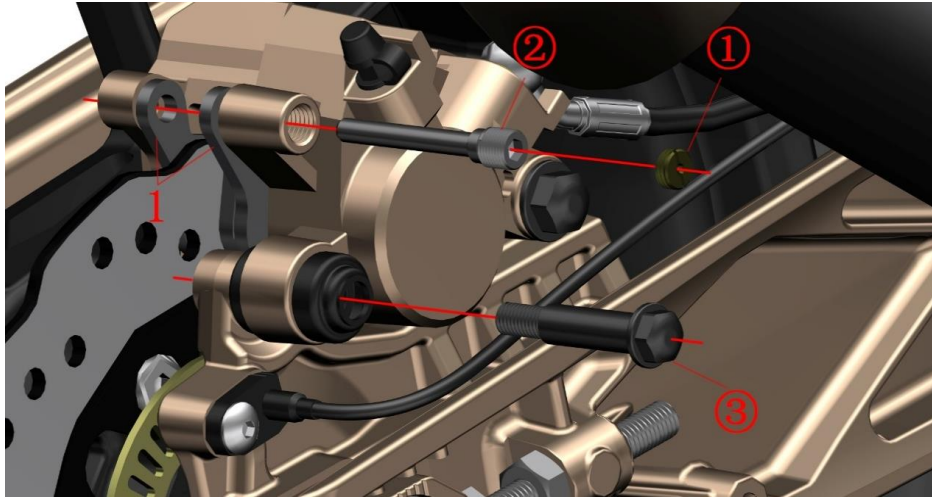



FIG.12 REAR FORKLIFT COMPONENT		Change rear brake arresters	CHK	
			ADJ	
NO.	PART NO.	PART NAME	QTY	CAUTION
1	1100100-092000	ZT250—S rear disk brake piece (HS10)	1	After sales

**PROCEDURE:**

## ● Get rid of brake shoe

Remove the nut with a screwdriver ①.

Remove the pin shaft ② with the inner hexagon tool.

Use the sleeve to remove the sliding shaft ③.

Remove the rear disc brake (1).

## ● Replace brake shoe

Push the clamp piston to the end of the arrow, as shown in the lower left corner. In order to reduce the resistance, the cross bolts on the main pump oil cup can be removed before removing the upper cover and sealing rubber pad. After all, you should recover in time.

Replace the new disc brake disc, the brake disc must be stuck to the card slot, as shown in the lower right corner.

Lock the pin shaft ② with the inner hexagon tool.

Use the sleeve to lock the sliding shaft ③.

Lock the nut ① with a screwdriver.

Repeatedly step on the brake pedal until the braking force is restored.

**CAUTION:**

● Check the brake disc and brake disc on a regular basis.

● It is suggested that the qualified maintenance unit should replace the brake disc in pairs.

● Please refer to the "pedal, shift lever assembly" for adjusting the height of the brake pedal to the appropriate position after replacement.

● After replacing the brake disc, it should be about 300 km to be fully integrated to achieve the best braking effect. Adequate braking distance should be set aside during grinding.

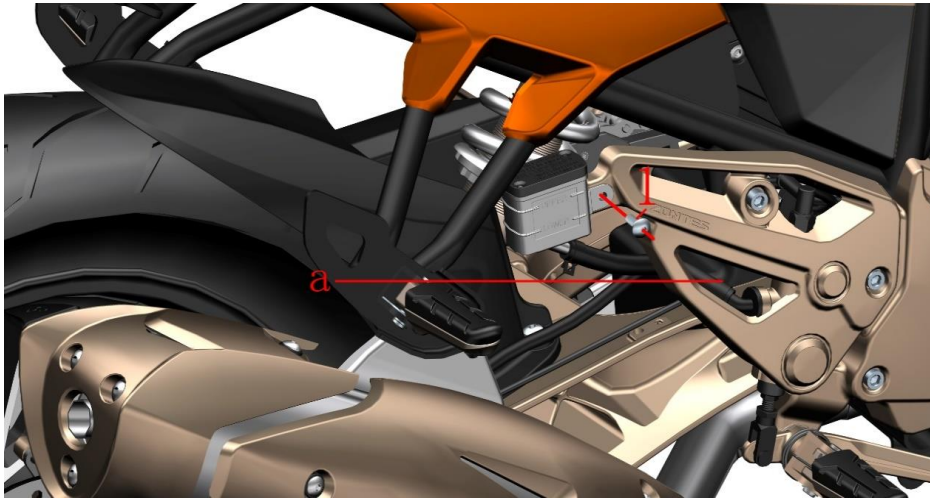



FIG.13 REAR FORKLIFT COMPONENT		Add the brake oil to the main pump or rear brake	CHK	
			ADJ	
NO.	PART NO.	PART NAME	QTY	CAUTION
1	1251100-102000	Non-standard bolts M6×16 (304 stainless steel)	1	
2	3070100-008600	Fully synthetic brake oil DOT4 (1L bottle)	1	【1】

## PROCEDURE:

- Add the brake liquid
  - Remove the bolts (1) with the inner hex tool.
  - Pull out the oil cup (4), should always remain above the line a, parallel to the ground, to prevent the gas from entering the oil road to cause brake failure.
  - Remove the bolts (1) with the phillips screwdriver.
  - Remove the oil lid (2) and seal the rubber pad (3).
  - The top end of the oil cup (4) is basically parallel to the ground, adding DOT4 brake fluid; Make sure the liquid level is between "UPPER" and "LOWER".
  - Reset
  - Step on the brake pedal continuously and make sure that the motorcycle can be driven when the brake is back to normal.

## CAUTION:

- The motorcycle level should be fixed and checked.
- Periodically check whether the liquid level of the brake fluid is between "UPPER" and "LOWER".
- If the liquid level is below "LOWER", check the brake disc wear condition and the brake system leakage first.
- If swallowed brake fluid, the poison control center or hospital should be contacted immediately; If eye contact, apply clean water and seek medical treatment immediately.
- Keep the brake fluid away from children and pets.
- Do not flush the oil cup directly with high pressure water.
- It is strictly prohibited to mix water, dust, impurities and liquids of silicic acid or petroleum systems, otherwise it will cause serious damage to the braking system.
- 【1】 Each bottle is 1 liter. It must be used in time after opening, and sealed and moisture-proof measures must be taken when storing; it is recommended not to exceed 1 month. Inferior or damp brake fluid will cause adverse effects on the braking system, and may cause brake failure when the impact is severe. Be sure to change the brake fluid at a maintenance shop with brake fluid replacement equipment and technology to avoid air entering the brake pipeline.

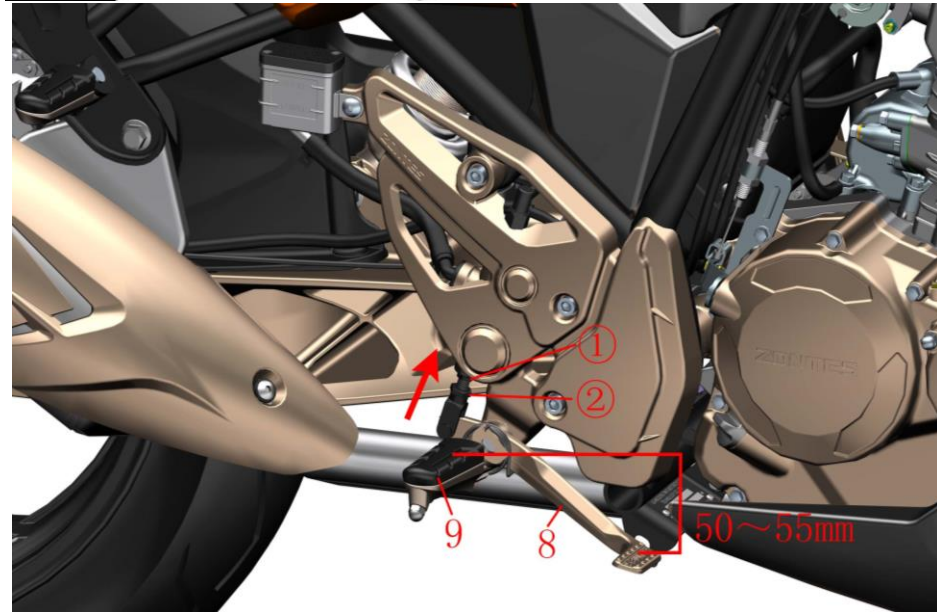
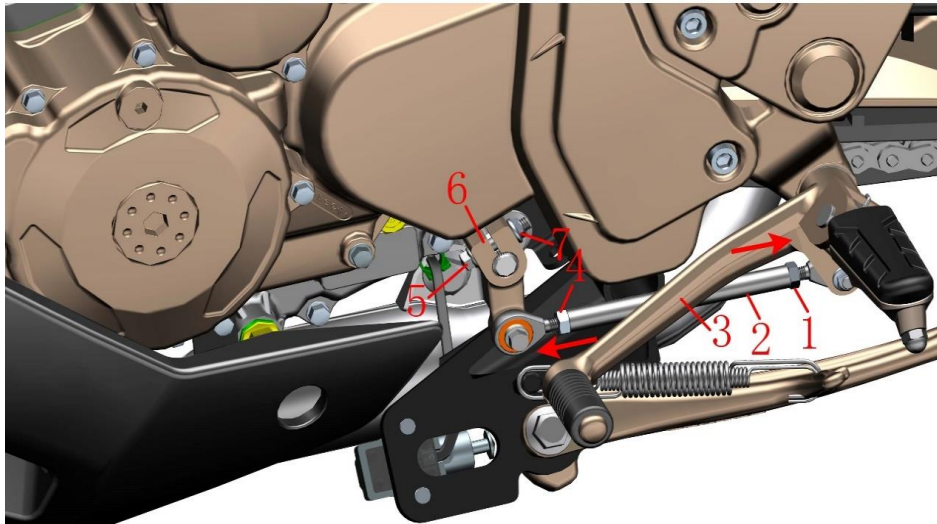


FIG.1 PEDAL COMPONENT		Pedal height adjustment	CHK	CAUTION
NO.	PART NO.	PART NAME	ADJ	
1	1250301-018093	GB6170M6—LH (environmental color)	1	
2	1274100-096000	ZT250—R shift lever adjustment screw	1	
3	1274200-160000	ZT310—T shift lever step rocker	1	
4	1250301-049093	GB6170M6 (environmental color)(5 pcs/after-sale)	1	
5	1250104-016093	GB16674M6×28 (chroming)	1	
6	1274100-039000	ZT250—S shift lever spline rocker arm	1	
7	1250303-040093	GB6177.1M6 (environmental color)(5 pcs/after-sale)	1	
8	1274100-094000	ZT250—R brake pedal	1	
9	1274200-059000	ZT310—X front right footrest	1	

## PROCEDURE:

## ● Shift lever height adjustment

With open end wrench nut (1), nut (4), respectively, in the direction of the arrow to loosen, turn adjusting screw with 8 # open end wrench on the groove position adjustment to the appropriate height, then lock nut (1), nut (4). If above method suitable position once the nut, bolt (7) and bolt (5) can be removed, use a screwdriver to spline radial (6) the middle slot open slightly pull out at the same time, transferred to the appropriate height after assembly, pay attention to align the middle of the spline grooves.

## ● Brake pedal height adjustment

With open end wrench nut (2) in the direction of the arrow to loosen, turn adjusting screw (1) to being stamped on the brake pedal (8) position control and the top of the foot (9) levies below 50 to 55 mm. The adjusting screw (1) fixed lock nut (2) again.

## CAUTION:

- The motorcycle should be supported in the adjustment process to prevent accidental damage.
- The lever height of the shift lever should be reasonable, otherwise it will affect the driving experience.
- The brake pedal height should be reasonable, otherwise the brake disc and the brake disc will always have friction to affect the service life, which may lead to brake failure.

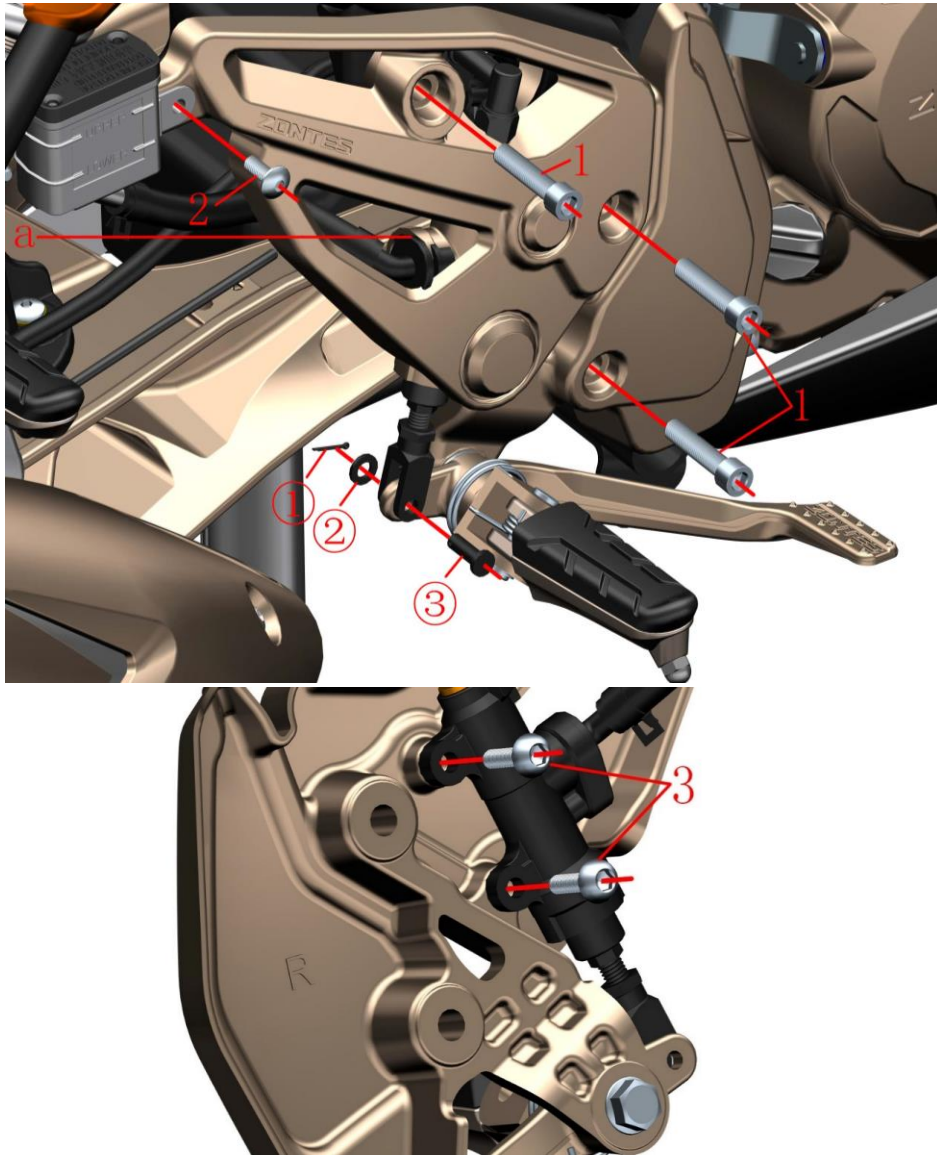


FIG.2 PEDAL COMPONENT		Right pedal support component-1	CHK	
			ADJ	
NO.	PART NO.	PART NAME	QTY	CAUTION
1	1250205-023000	GB70.1 inner hexagonal M8X35 (environmental color)	3	
2	1251100-102000	Non - standard bolt M6×16(304 stainless steel)	1	
3	1251100-121093	Non-standard bolts M6X25 (environmental color)	2	

## PROCEDURE:

## ● Right foot pedal support component

Remove the bolt (2), the oil cup should always be kept higher than the line a parallel to the ground to prevent gas from entering the oil circuit and causing brake failure.

Use pliers to remove the opening pin ① and remove the washer ② and pin ③.

Remove the bolts (1) with the inner hex tool.

Turn the right foot bracket component to the back and remove the bolt (3).

## CAUTION:

● When turning over to the back, protect the foot stand and the nearby parts to prevent scratches.

● When flipping, pay attention to force to prevent damage to the disc brake pipe.

● In the process of disassembly, the motorcycle should be properly supported to prevent accidental incline.

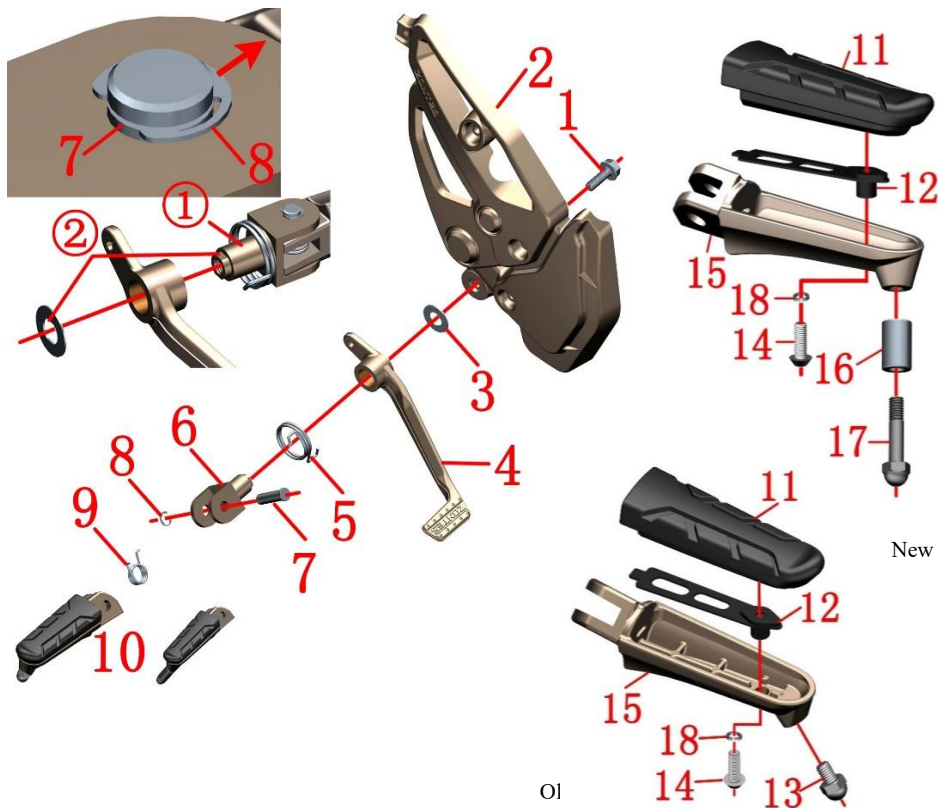


FIG.3 PEDAL COMPONENT		Right pedal support component-2	CHK	CAUTION
NO.	PART NO.	PART NAME	ADJ	
1	1251100-123093	Non-standard bolts M8X25 (environmental color)	QTY	
2	1274100-091000	ZT250—R right foot pedal	1	
3	1251500-048000	ZT250 - S Pedal support gasket	1	
4	1274100-094000	ZT250—R brake pedal	1	
5	1260100-092000	ZT250—S rrake pedal torsional spring	1	
6	1274100-035000	ZT250 - S Foot pedestal	1	
7	1274100-012000	ZT250 - S Pedal pin	1	
8	1264100-006000	ZT250 - S Pedal circlip	1	
9	1264100-004000	ZT250—S front right foot pedal torsional spring	1	
10	1274200-059000	ZT310—X front right footrest	1	New
	1274200-185000	ZT310—X front right pedal assembly (improved)		Old
11	1244200-024000	ZT310—X footrest gum cover	1	Pedal after Sale parts
12	1274200-051000	ZT310—X footrest gum cover fixed plate	1	
13	1251100-218094	Non—standard ball head boltsM6×8	1	
14	1250205-038000	GB70.2M5×12(stainless steel)	1	
15	1052142-042000	ZT310 - X front right pedal	1	
16	1274200-254093	Bush Φ12×Φ6×19 (environmental color)	1	
17	1251100-224000	Non - standard ball stud M6 × 26	1	
18	1250501-010000	GB93φ6 spring pad	1	

●Foot pedal with rubber for after sales service

rasp the front right pedal (10), use a tool to remove the bolt (13), and remove the spring washer (17). Remove the rubber sleeve (11) and the fixing piece (12). Remove the bolt (16) and remove the bush (15).The new version removes the bolt (2) Lower bushing (7).

CAUTION:

- Apply lubricating grease evenly on the surface of the pedal support of ① to reduce the resistance of the brake pedal.
- When reassembling, pay attention to the alignment of the support gasket and the support boss to fit in place, such as ②.
- During the disassembly process, the vehicle support should be fixed to prevent accidents caused by dumping.
- When replacing the wearing parts with rubber pedals separately, make sure that the assembly is correct.
- Motorcycles produced after March 11, 2019 will switch to new pedals.
- Starting from March 20, 2020, a spring cushion (18)will be added to prevent the pedal rubber sleeve from loosening.

PROCEDURE:

●Front right pedal assembly

Use the tool to remove the circlip(8), remove the pedal pin(7),and then remove the front right pedal assembly(10)and the pedal torsion spring (9).

●Brake pedal

Use a sleeve to remove the bolt (1), and pull out the pedal support (6) in the axial direction. Remove the spacer (3), the right foot pedal bracket (2); remove the brake pedal (4). Remove the brake pedal torsion spring (5).

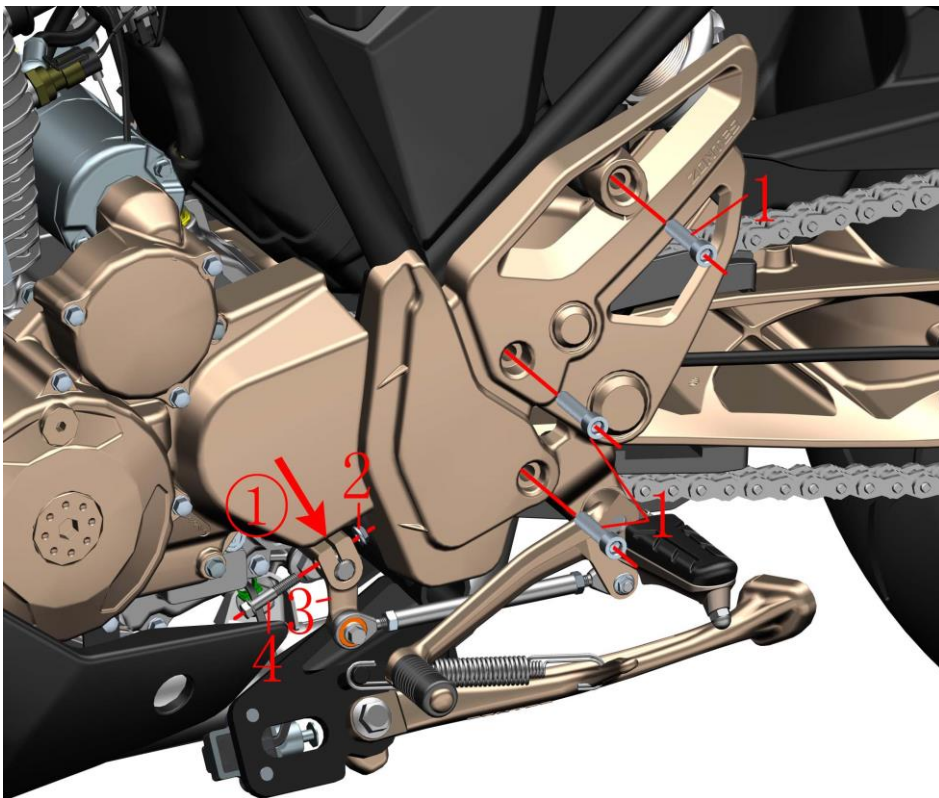


FIG.4 PEDAL COMPONENT		Left pedal support component-1		CHK	CAUTION
				ADJ	
NO.	PART NO.	PART NAME		QTY	
1	1250205-023000	GB70.1 inner hexagonal M8X35 (environmental color)		3	
2	1250303-040093	GB6177.1M6 (environmental color)(5 pcs/after-sale)		1	
3	1274100-039000	Shift lever key rocker arm		1	
4	1250104-016093	GB16674M6×28 (chroming)		1	

#### PROCEDURE:

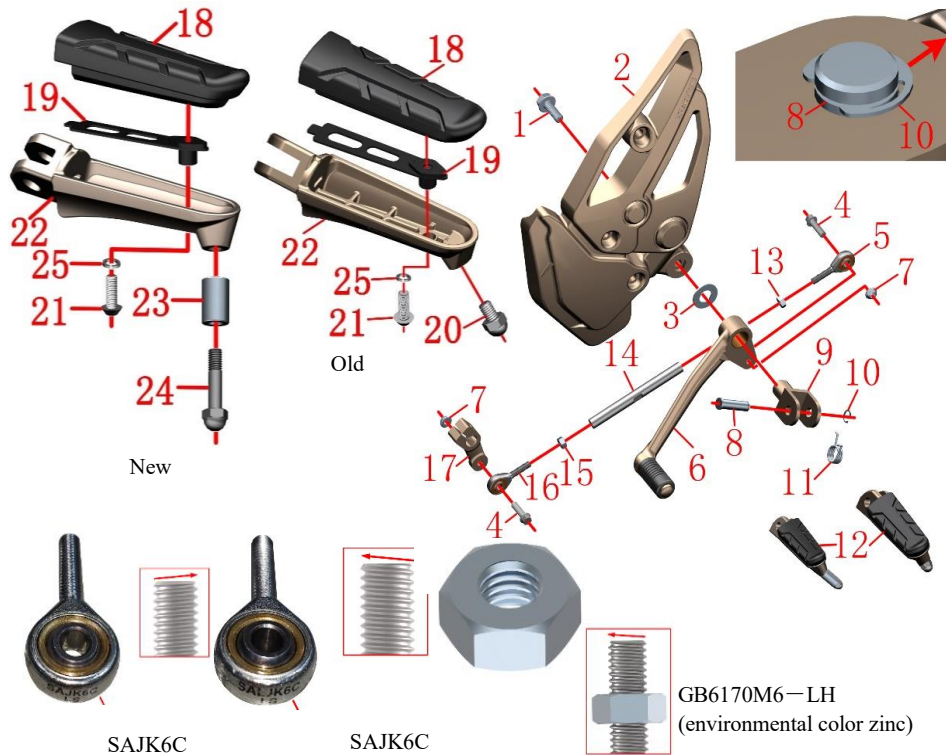
##### ● Left foot pedal support component

Remove the nut (2) by using the spanner wrench, remove the bolt (4), and insert a screwdriver into the slot ① to push the spline rocker (3) slightly apart and pull it out from the engine shift shaft.

Remove the bolts (1) with the inner hexagon tool and remove the left foot support components.

#### CAUTION:

- Open the spline rocker arm to take care of the strength to prevent damage.
- In the process of disassembly, the motorcycle should be properly supported to prevent accidental incline.



**PROCEDURE:**

● **FRONT RIGHT FOOT PEDAL**

With the tool to remove the card spring (10), the foot pin shaft (8) will be removed, then the front left foot step (12), foot twist spring (11)

● **SHIFT LEVER COMPONENT**

Remove the bolt (1) with a plum spanner and pull the foot support (9) in the direction outward. Remove the support pad(3) and the left foot bracket (2); Remove the shift lever assembly.

Once with a ring spanner remove the nut (7), bolt (4), the shift lever treadle rocker rocker arm (6), shift lever key rocker arm (17) removed.

Loosen the nut (13) 、 (15) with the open spanner, remove the adjusting rod (14), and then separate the joint bearing (15) 、 (16)

● **Foot pedal with rubber for after sales service**

Hold the left front pedal(12), and remove the bolt(20)with sleeve,then remove the bolt (21)with tool,Remove the spring pad(25)、 rubber sleeve (18)、 fixing piece(19)、 left pedal(22).Remove the bolt(24).then take off the bushing (23) .

FIG.5 PEDAL COMPONENT		Left pedal support component-2	CHK	CAUTION
NO.	PART NO.	PART NAME	ADJ	
1	1251100-123093	Non-standard bolts M8X25(environmental color)	1	
2	1274100-092000	ZT250—R left foot pedal	1	
3	1251500-048000	Foot pedal support gasket	1	
4	1251100-061093	Hexagonal flange bolts (environmental color zinc)	2	
5	1274100-043000	Miniature rod end ball bearing SALJK6C	1	
6	1274200-160000	ZT310—T shift lever step rocker	1	
7	1250303-040093	GB6177.1M6 (environmental color)(5 pcs/after-sale)	2	
8	1274100-012000	ZT250—S Pedal pin	1	
9	1274100-035000	ZT250—S Foot pedestal	1	
10	1264100-006000	ZT250—S Pedal circlip	1	
11	1264100-003000	ZT250—S front left foot pedal torsional spring	1	
12	1274200-060000	ZT310—X front left footrest	1	Old
	1274200-193000	ZT310—X front left pedal assembly (improved)		New
13	1250301-018093	GB6170M6—LH (environmental color zinc)	1	
14	1274100-096000	ZT250—R shift lever adjustment screw	1	
15	1250301-049093	GB6170M6 (environmental color)(5 pcs/after-sale)	1	
16	1274100-042000	Miniature rod end ball bearing SAJK6C	1	
17	1274100-039000	ZT250—S shift lever spline rocker arm	1	
18	1244200-024000	ZT310—X footrest gum cover	1	Foot sales parts
19	1274200-051000	ZT310—X footrest gum cover fixed plate	1	
20	1251100-218094	Non—standard ball head boltsM6×8	1	
21	1250205-038000	GB70.2M5×12(stainless steel)	1	
22	1032142-041000	ZT310 - X front left pedal	1	
23	1274200-254093	Bush Φ12×Φ6×19 (environmental color)	1	
24	1251100-224000	Non - standard ball stud M6 × 26	1	
25	1250501-010000	GB93φ6 spring pad	1	

**CAUTION:**

- In the process of removing, you should fix the bike to prevent from the accident.
- Pay attention to the hexagonal nuts at both ends of the joint bearing and adjusting rod (the right hand side of the engine shift shaft, near the foot to the left) when reassembling.
- Pay attention to the alignment of the support gasket and the support flange to assemble in place.
- It can reduce the resistance of Shift lever rocker arm by applying lubricating grease evenly on the surface of foot support cylinder.
- Motorcycles produced after March 11, 2019 will switch to new pedals.
- Starting from March 20, 2020, a spring cushion (25) will be added to prevent the pedal rubber sleeve from loosening.

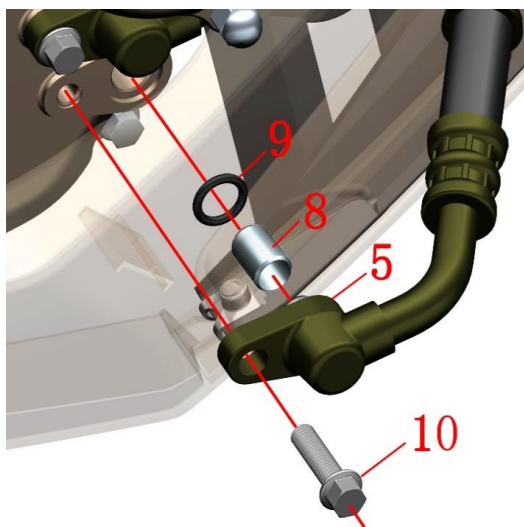
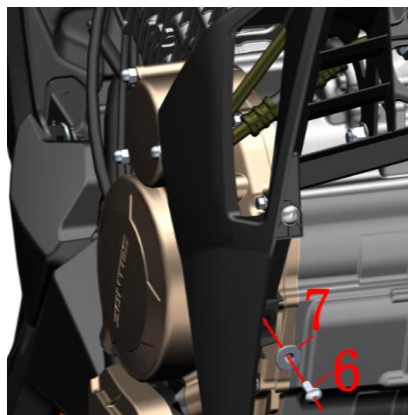
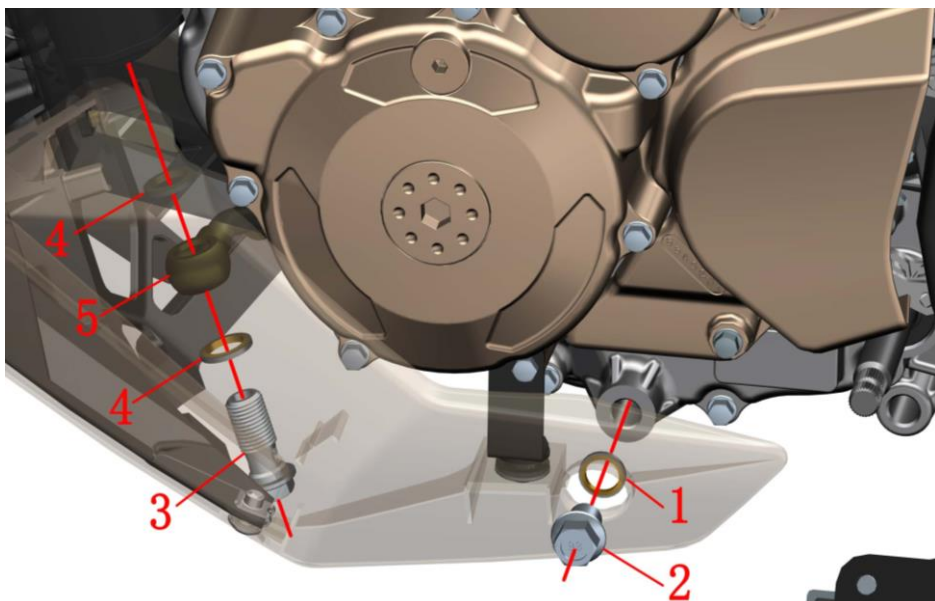


FIG.1 RADIATOR SYSTEM COMPONENT		Release the engine oil	CHK	
NO.	PART NO.	PART NAME	ADJ	
1	1244100-033000	Combined sealing gasket12×φ20×2	1	
2	1251100-066093	M12×1.5×15 oil drain bolt (color zinc)	1	24±4N.m
3	1251100-089094	Oil bolt M14×1.50×32(color zinc)	1	
4	1244100-034000	Combination sealing gasket φ14×φ20×2	2	
5	1244100-070000	Engine oil intake pipe	1	
6	1251100-102000	Non-standard bolts M6×16 (304 stainless steel)	1	
7	1274101-015000	ZT250-S flanging sleeve(φ6.4×φ9×6+φ20×2)(5 pcs/af	1	
8	1251401-013000	φ10×14 dowel pin(5 pcs/after-sale)	1	
9	1051454-014000	9.8×2.5 Acrylate rubber o-rings	1	
10	1251100-061093	M6×22 Hex flang bolt thread level 8.8 (color zinc)	1	

## PROCEDURE:

## ●Put on the engine oil

Place the oil pan at the bottom, use the sleeve to remove the oil bolt (2) and combination sealing gasket (1), and then remove the remaining oil in the engine. Remove the oil bolts (3) and the sealing gasket (4) to remove the oil from the frame tube. Clean all the material with a clean non-woven cloth. Refer to the instructions for detailed steps to replace the oil.

## ●Right lower fairing cover

Use the inner hex tool to remove the bolts (6) and the flange (7). The guide cover should not be removed completely.

## ●Engine oil intake pipe

Remove the bolt (9) with the sleeve, pull the engine into the tubing (5) and pull it out, and remove the O-shape ring (9) and the pin(8).

## CAUTION:

●It is strictly forbidden to remove the cooling system in the heat engine, and it should wait for the engine and muffler to completely cool down before it can be removed.

●The waste oil needs to be uniformly recovered and returned to the qualified institutions; It is forbidden to dump pollution or water sources at will.

●It is recommended to replace the oil in the oil at the same time and replace the oil bolts, combination gasket and O-shape ring to prevent oil leakage.

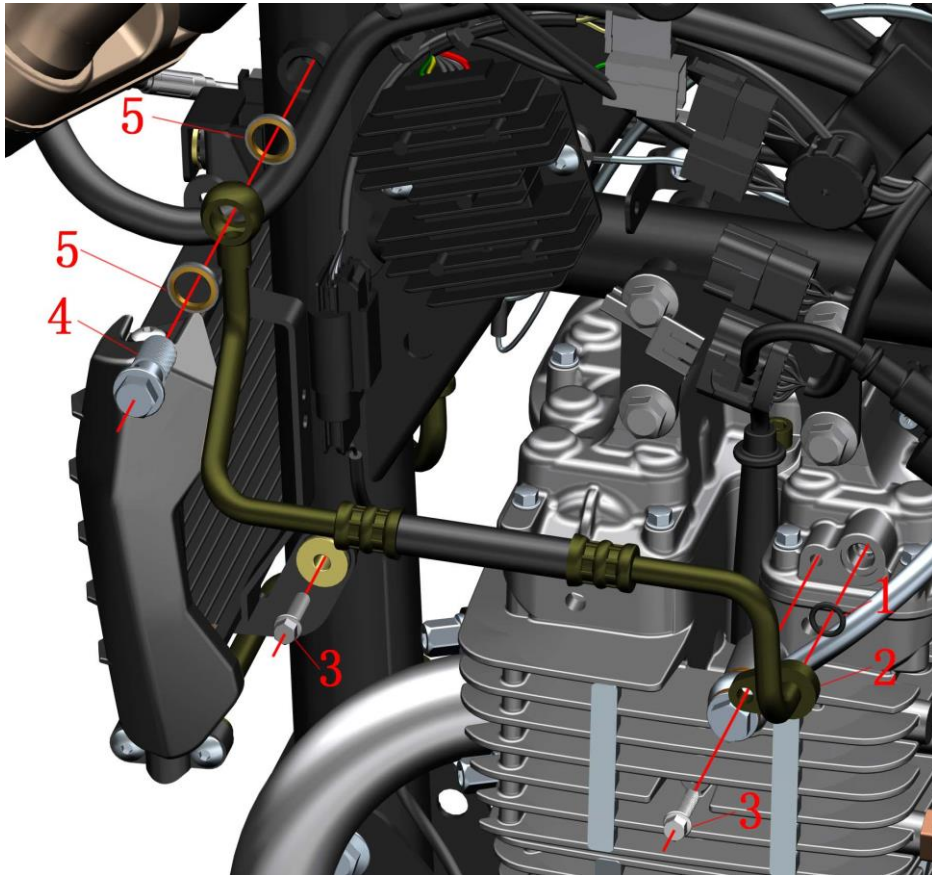



FIG.2 RADIATOR SYSTEM COMPONENT		The oil pipe near the frame	CHK	
NO.	PART NO.	PART NAME	ADJ	
1	1051454-014000	9.8×2.5 Acrylate rubber o-rings	1	CAUTION
2	1244100-071000	ZT250-R Frame bypass oil pipe	1	
3	1251100-061093	M6×22 Hex flang bolt thread level 8.8 (color zinc)	2	
4	1251100-089094	Oil bolt M14×1.50×32 (environmental zinc)	1	
5	1244100-034000	Combination seal gasketφ14×φ20×2	2	

## PROCEDURE:

- Frame bypass oil pipe  
Remove oil bolt (4) and combination seal gasket (5) with sleeve.  
Remove the bolt (3) near the engine with a sleeve. Then remove the frame bypass tube, and finally remove the O-shape ring (1).
- Remove the bolt (3) near the muffler elbow upward side with a sleeve. If you do not need to remove the heat dissipation assembly, do not remove the bolt.

## CAUTION:

- It is forbidden to disassemble the heat dissipation system when it is warmed up. Wait for the engine and muffler to cool completely before disassembling.
- The waste oil needs to be recycled and handed over to a qualified organization; it is forbidden to dump the polluted environment or water at will.
- Violation is strictly prohibited when removing the bypass pipe from the frame so as to avoid deformation of the sleeve.
- It is recommended to replace oil drain bolts, combination seal gasket, and O-shape ring to prevent oil leakage every time you change the oil.

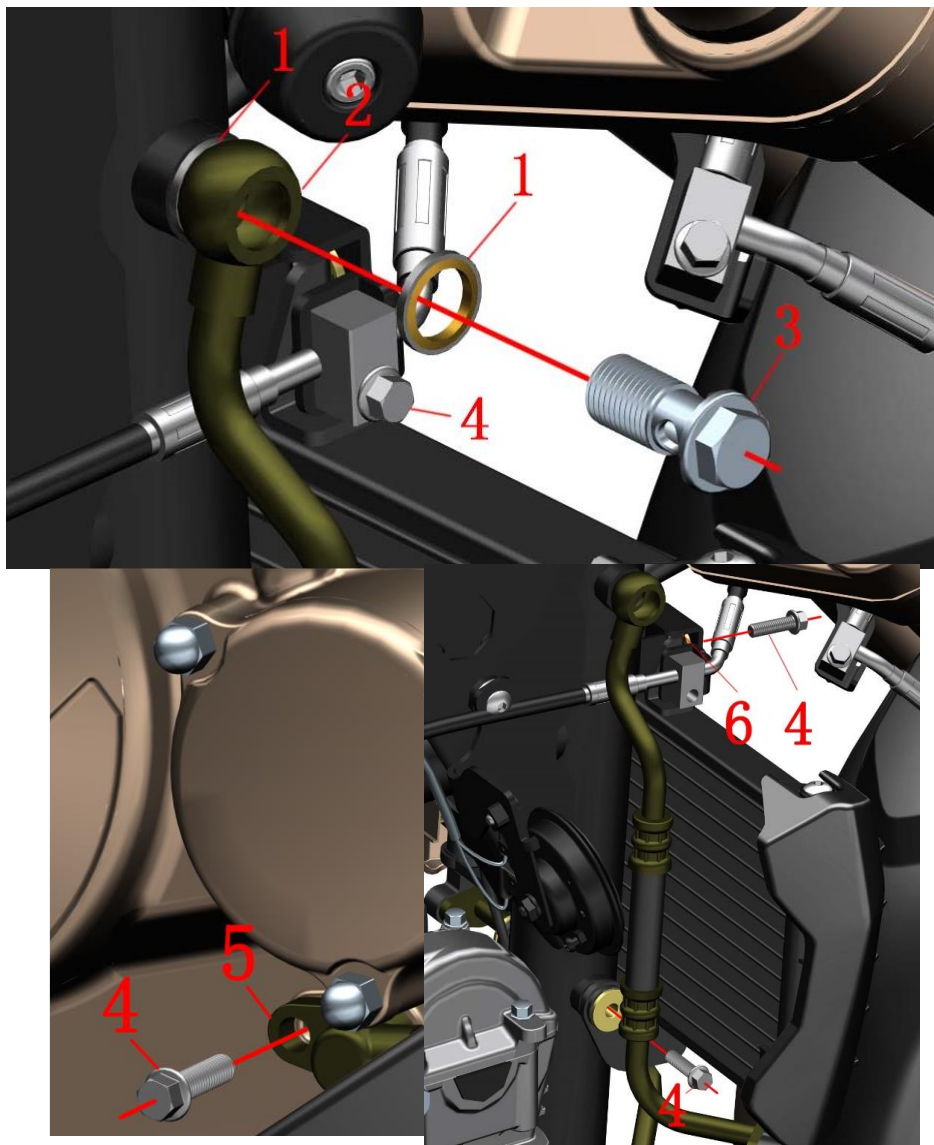


FIG.3 RADIATOR SYSTEM COMPONENT		Radiator component-1	CHK	CAUTION
NO.	PART NO.	PART NAME	ADJ	
1	1244100-034000	Combination seal gasket $\phi 14 \times \phi 20 \times 2$	2	
2	1244100-069000	ZT250-R Oil cooler outlet pipe	1	
3	1251100-089094	Oil bolt M14 $\times$ 1.50 $\times$ 32 (environmental color zinc)	1	
4	1251100-061093	M6 $\times$ 22 Hex flang bolt thread level 8.8 (color zinc)	3	
5	1244100-068000	ZT250-R Oil cooler inlet pipe	1	
6	1274100-079000	ZT250-R Front disc brake tube bracket 2	1	

## PROCEDURE:

- Oil cooler outlet pipe  
Remove the oil bolt (3) with a sleeve and remove the seal gasket (1).  
Remove the bolt (4) with a tool.
- Oil cooler inlet pipe  
Remove the bolt (4) with the sleeve and pull the connector of the oil cooler inlet pipe (5) outward in the axial direction.
- Heat dissipation assembly  
Remove the bolt (4) near the bottom of the heat dissipation with a sleeve; then remove the bolt (4) on the front of the heat dissipation and remove the tube bracket (6). Remove the heat dissipation assembly.

## CAUTION:

- It is forbidden to disassemble the heat dissipation system when it is warmed up. Wait for the engine and muffler to cool completely before disassembling.
- The waste oil needs to be recycled and handed over to a qualified organization; it is forbidden to dump the polluted environment or water at will.
- When disassembling the oil cooler inlet pipe, violent operation is strictly prohibited to avoid deformation of the liner.
- It is recommended to replace oil drain bolts, combination seal gasket, and O-shape ring to prevent oil leakage every time you change the oil.

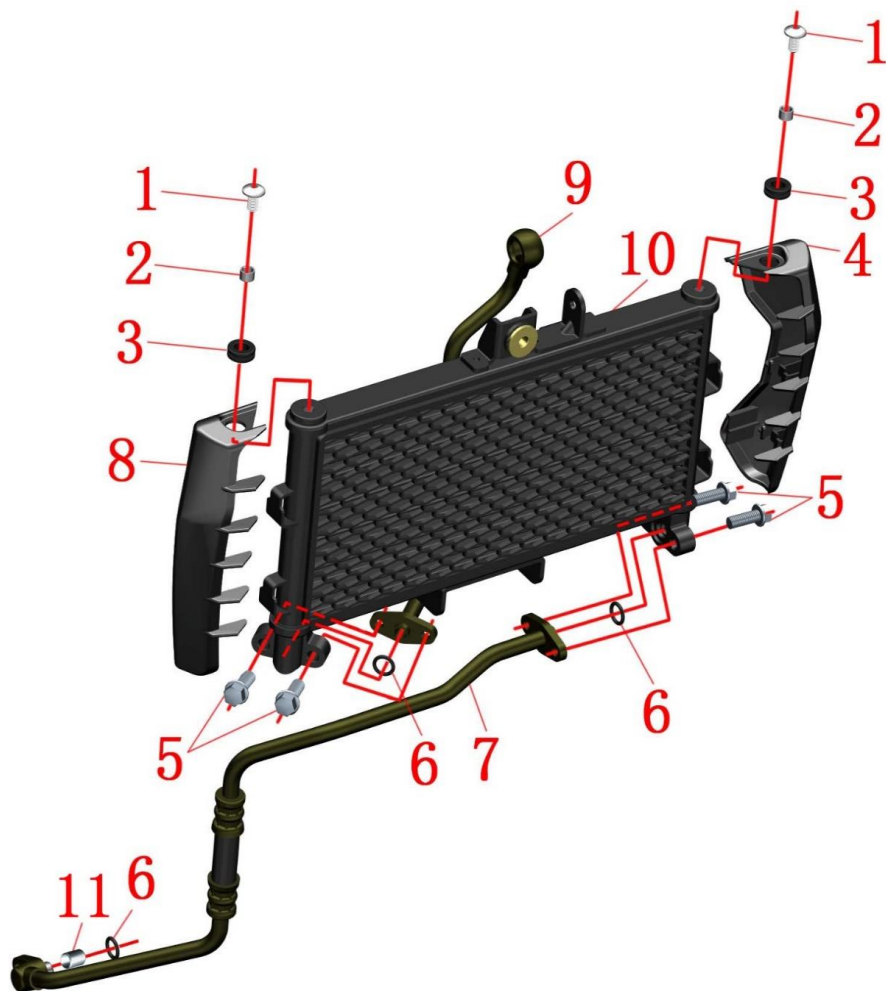


FIG.4 RADIATOR SYSTEM COMPONENT		Radiator component-2	CHK	CAUTION
NO.	PART NO.	PART NAME	ADJ	
1	1251100-101000	Non-standard bolt M6×12 (304 stainless steel)	2	
2	1274100-018000	ZT250-S Muffler anti-hot plate bushing	2	
3	1246400-317000	ZT368T-G muffler hot plate rubber buffer(5 pcs/after-sale)	2	
4	4044101-004036	ZT250 - R oil cooler left decorative cover (dark gray)	1	
5	1251100-102000	Non-standard bolt M6×16 (304 stainless steel)	4	
6	1051454-014000	9.8×2.5 Acrylate rubber o-rings	3	
7	1244100-068000	ZT250-R Oil cooler inlet pipe	1	
8	4044101-005036	ZT250 - R oil cooler right decorative cover (dark gray)	1	
9	1244100-069000	ZT250-R Oil cooler outlet pipe	1	
10	1274100-084000	ZT250-R Oil cooler	1	
11	1251401-013000	φ10×14 dowel pin(5 pcs/after-sale)	1	

## PROCEDURE:

## ● Oil cooler trim cover

Remove the bolt(1) with the hexagonal tool; remove the left trim cover(4) and the right trim cover(8). Push the bushing(2) out of the buffer(3) and remove the buffer from the trim cover

## ● Oil cooler inlet pipe

Remove the bolt(5) with the hexagonal tool, separate the oil inlet pipe(7) from the oil cooler(10), and remove the O-shape rings(6) at both ends, and the pin(11).

## ● Oil cooler outlet pipe

Remove the bolt(5) with the hexagonal tool, separate the oil outlet pipe(9) from the oil cooler(10), and then remove the O-shape ring(6) and.

## CAUTION:

● It is forbidden to disassemble the heat dissipation system when it is warmed up. Wait for the engine and muffler to cool completely before disassembling.

● The waste oil needs to be recycled and handed over to a qualified organization; it is forbidden to dump the polluted environment or water at will.

● When disassembling the oil cooler inlet pipe, violent operation is strictly prohibited to avoid deformation of the liner.

● It is recommended to replace oil drain bolts, combination seal gasket, and O-shape ring to prevent oil leakage every time you change the oil.

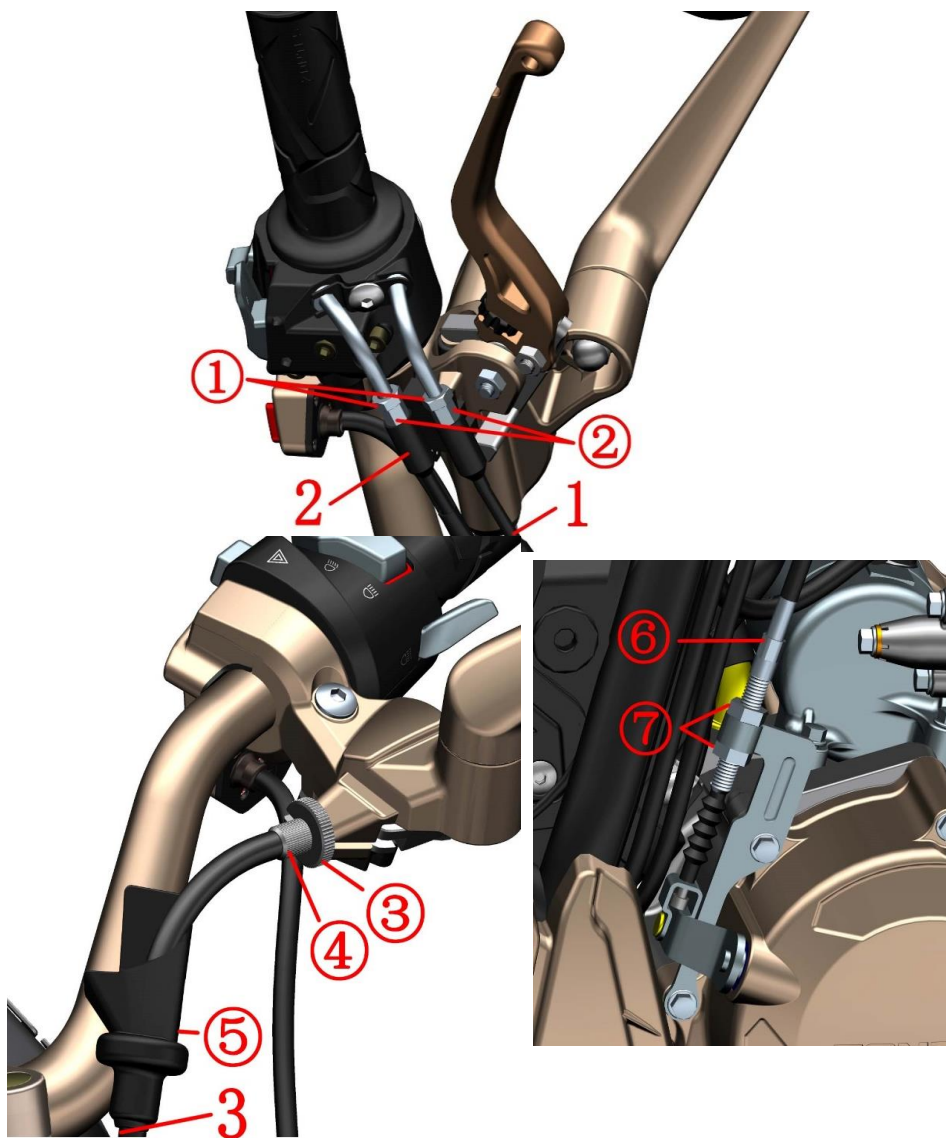


FIG.1 FRONT FORK COMPONENT		Throttle/clutch cable clearance adjustment, light height adjustment	CHK ADJ	CAUTION
NO.	PARTNO.	PART NAME	QTY	
1	1154100-013000	ZT250-R throttle accelerating cable (II)	1	
2	1154100-014000	ZT250-R return line (II)	1	
3	1154100-012000	ZT250-R clutch line (II)	1	

## PROCEDURE:

## ● Throttle line

Use an open-end wrench to loosen the lock nut① on the throttle refueling line(1) or the return line(2), and turn the adjustment bolt② to adjust the clearance to 2 to 4 mm. After adjusting the lock nut①.

## ● Clutch line

## Fine adjustment:

Lift the protective rubber sleeve⑤ on the clutch rocker arm to the elbow of the clutch line(3), loosen the bolt③ with pliers, rotate the adjustment bolt④, finally lock the bolt③, and then reset the dust jacket. Adjust the bolt③, adjust the bolt④ and the rocker seat slot should be staggered position to prevent the cable from coming out.

## Big adjustment:

If fine adjustment cannot be achieved, loosen bolt ⑦ with open-end wrench, rotate adjustment bolt⑥, and finally lock bolt ⑦ again.

## CAUTION:

- The motorcycle support should be fixed during disassembly to prevent accidents caused by incline.
- Throttle line adjustment need to pay attention to the following:
  - After adjustment, ensure that the throttle can be reset automatically. It is forbidden to increase the engine idle speed due to adjustment of the line.
  - No engine idle increase in direction of rotation.
  - Check engine idle speed should be performed in the case of heat engine, should be at 1300~1500 rev / min.
- The clutch adjustment should be noted as follows:
  - Excessive free travel can cause wear and malfunction of the clutch and gearshift mechanism.
  - After adjustment, be sure to stagger the bolt, adjusting bolt and the slot on the rocker arm to a certain position to prevent the cable from coming out of the slot.

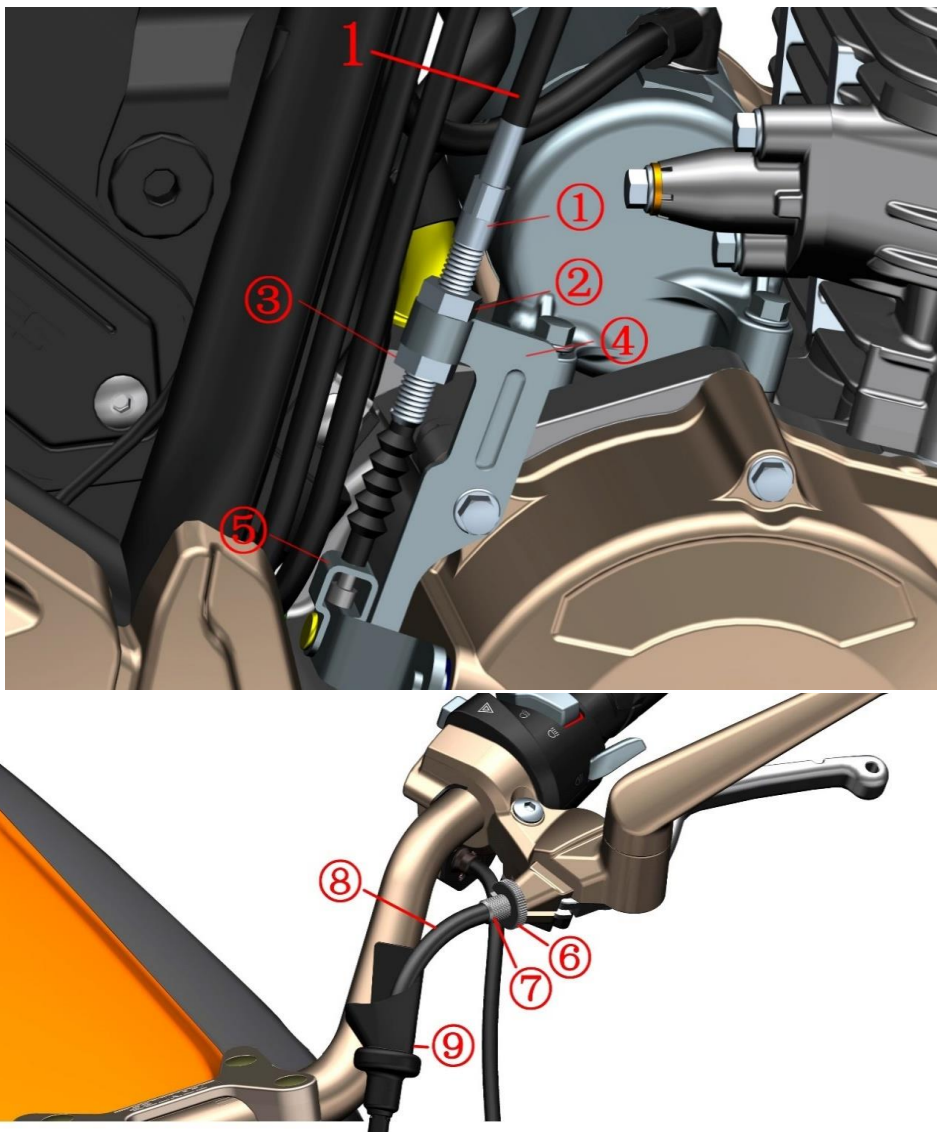


FIG.2 FRONT FORK COMPONENT		Replace the clutch line	CHK	
NO.	PARTNO.	PART NAME	ADJ	
1	1154100-012000	ZT250-R clutch line (II)	QTY	CAUTION
			1	

#### PROCEDURE:

##### ● Disassemble the clutch line

Use an open-end wrench to loosen the bolt② and bolt③; fix the adjusting screw①, rotate the bolt② up to the top of the thread of the adjusting screw, and screw the bolt③ to the bottom to completely separate from the thread. Separate the clutch wire core connector from the bracket⑤, close the bolt③ to the black sheath with one hand, and remove the adjustment screw① from the bracket④ with one hand.

First, the protective rubber sleeve⑨ is retracted to the elbow⑧ and the nut⑥ is loosened with the pliers; the nut⑥ and the adjusting screw⑦ are rotated to the same position as the groove on the rocker arm, and the cable is pulled from the rocker arm seat. Finally remove it.

Remove the clutch line.

Remove the protective sleeve⑨ from the clutch cable (1).

##### ● Install the clutch

Put protective rubber sleeve⑨ into clutch elbow

After inserting the clutch cable joint into the rocker arm, screw the nut⑥ and the adjusting screw⑦ to the groove on the rocker arm.

Assemble the clutch cable into place according to the original alignment.

Rotate the nut② up to the top of the thread of the adjusting screw, and screw the nut③ to the bottom to completely separate from the thread.

Take the nut③ close to the black sheath with one hand and insert the adjustment screw① into the bracket④ with the other hand.

Insert the clutch core connector into the hole of the bracket⑤.

Initially position the nut② first, adjust the free stroke adjustment in the clutch cable adjustment, and then lock the nut③.

Finally, reset the protective rubber sleeve⑨.

#### CAUTION:

- The motorcycle support should be fixed during disassembly to prevent accidents caused by incline.
- Before replacing the clutch line, it is necessary to disassemble the seat cushion, fuel tank, liner, side cover, etc.

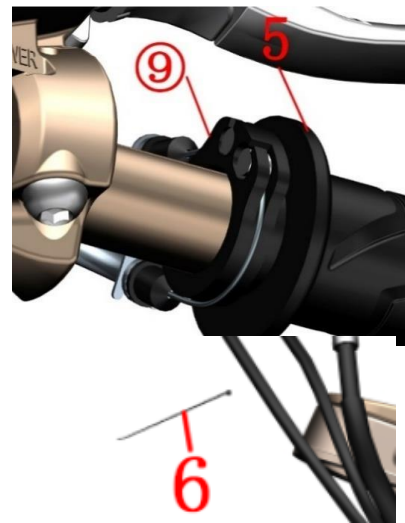
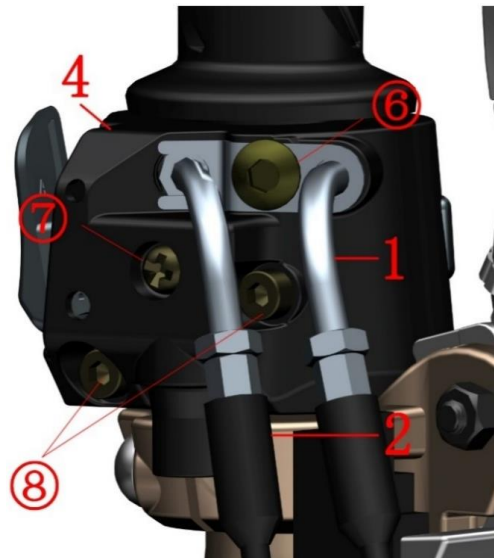
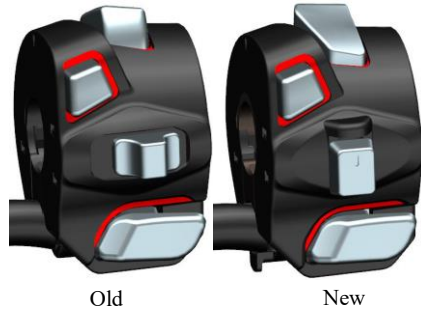
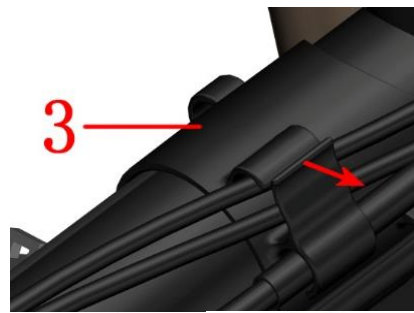
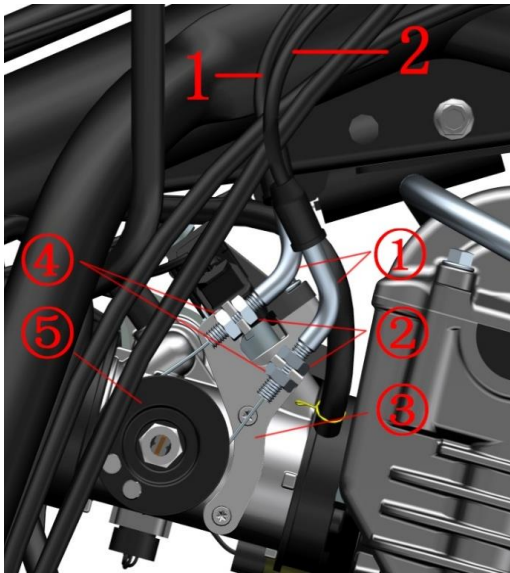


FIG.3 FRONT FORK COMPONENT		Replace the throttle line	CHK	CAUTION
NO.	PARTNO.	PART NAME	ADJ	
1	1154100-013000	ZT250-R throttle accelerating cable (II)	1	
2	1154100-014000	ZT250 - R return line (II)	1	
3	1224100-049000	ZT250-R Line clamp	1	
6	1184200-022000	ZT310 - X Right handle bar switch	1	Stop selling
	1184200-140000	ZT310 - X1 Right Handle Switch		New
5	1244100-140000	ZT250-R right handle bar rubber sleeve(after-sale)	1	
6	1224100-051000	Grade 0 flame retardant tie (black 2.5×100)	1	

#### PROCEDURE:

##### ● Disassemble the throttle line

Use an open-end wrench to turn the nut② of the throttle refueling line (1) or the oil return line (2) upside down, turn the nut④ downwards and out of the bend 1; rotate the turntable on the throttle valve clockwise, and turn the cylindrical joint of the fuel line from the turntable Remove; then move the elbow upwards over the bracket③ on the throttle and pull outwards to separate the core from the bracket. After removing the fuel line, pull the return line core downwards and separate the joint from the turntable, and then move the elbow up and separate from the bracket.

Use pliers to open the card on the line clamp(3) slightly in the direction of the arrow, remove the throttle cable from the slot, and cut the cable tie(6).

Remove the bolts⑥ and⑧ with the hexagonal tool.

Hold the right hand switch(4) with your hand and remove the bolt⑦ with a cross screwdriver. Turn the handlebars on and off.

Remove the throttle line from the right hand and remove the rubber sleeve(5) from the core turntable⑨ and remove it from the cable hole in the lower part of the switch.

##### ● Install the throttle line

First pass the throttle line into the line hole in the lower part of the switch, and pay attention to distinguish between the fuel line and the return line. Fit the cylindrical connector of the throttle cable into the turntable⑨ on the right hand gripper(5). Return the oil return line card to the limit slot provided on the refueling line. Use a hexagonal tool to lock the bolt⑥ to a torque of 8-10 Nm. After aligning the upper and lower holes of the switch, it is advisable to screw the bolt 8 a few times to prevent it from falling out. Then, after observing the right hand, align the positioning holes and the direction of the lower part of the switch(4) and fix the bolt⑦ after locking. Finally, tighten the bolt⑧ and tie the tie(6). Cut off the excess.

Push the throttle cable into the cable clamp slot.

Use an open hand to turn the nut② of the throttle refueling line(1) or the return line(2) up and down, and turn the nut④ downwards to the bend①. Put the oil return line into the bracket③, and then put the joint onto the turntable⑤. Put the oil line into the bracket③, then turn the turntable⑤ to a certain angle.

Adjust the gap to adjust the throttle line clearance. Lock nuts② and④.

#### CAUTION:

- The motorcycle support should be fixed during disassembly to prevent accidents caused by incline.
- Before replacing the throttle line, you must first remove the seat cushion, fuel tank, liner, side cover, etc.
- The old model stop selling; the old switch can be replaced directly with the new one.

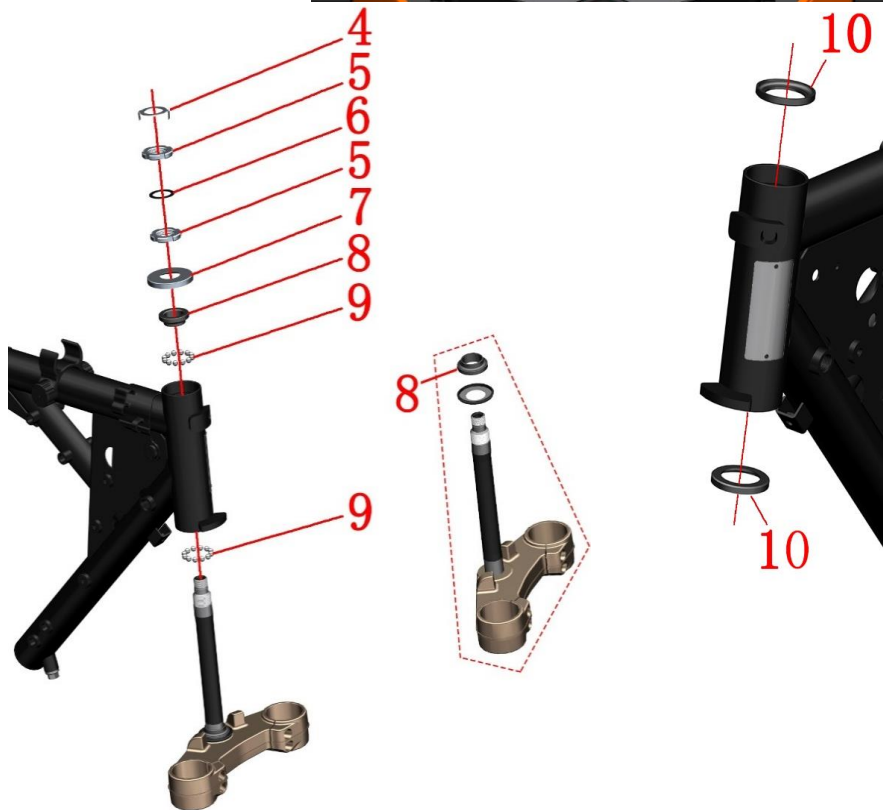
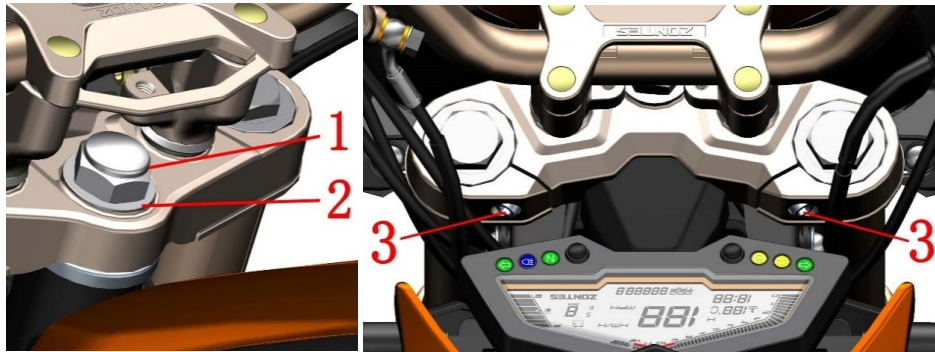


FIG.4 FRONT FORK COMPONENT		Steering adjustment	CHK	CAUTION
NO.	PARTNO.	PART NAME	ADJ	
1	1251300-045000	ZT250—S upper connection decoration nut(chroming)	1	
2	1251500-050000	ZT250—S upper connection gasket φ18.5×φ39×1 (chroming)	1	
3	1250205-023000	GB70.1 Hexagon M8×35 (environmental color zinc)	2	
4	1134100-040000	ZT250-S Adjusting nut locking washer(5 pcs/after-sale)	1	
5	1251300-046093	ZT250-S Direction column adjusting nut M24X1	2	
6	1244100-135000	ZT250-S Adjusting nut rubber gasket (5 pcs/after-sale)	1	
7	1224100-005000	ZT250-S Direction column dust cover	1	
8	1130900-053000	ZT250-S shaft ring (after-sale)	1	
9	1130900-054000	ZT250-S conjoined steel ball (5 pcs/after-sale)	2	
10	1130900-052000	ZT250-S upper steel bowl (after-sale)	2	

#### PROCEDURE:

- When the front fork slightly sways or when the direction handle swings during braking  
Check whether the pressure of the front tire is the recommended air pressure at room temperature: 250±10kPa. If it is lower than the recommended air pressure, the front tire pressure should be inflated to 350 kPa first, and then deflated to 250±10 kPa. Let us check if the running-up test is released. If not, set the front wheel and turn to inspect the tire tread, if it is worn or deformed, the front tire needs to be replaced. If not, you should continue to the following operation.

- Check steering device

Set up the front wheel and shake the lower part of the fork by hand to check if the steering shaft is loose or the left and right rotation is flexible.

Adjust the adjusting nut:

Remove the trim nut(1) with a spanner, remove the gasket(2), and remove the bolt(3) with the hexagonal tool. The direction of the upper connection assembly wrapped with a clean cloth and then placed to prevent scratches. Remove the lock washer(4); remove the top adjusting nut(5) with a special four-jaw shank or hook wrench and remove the pad(6). If the steering resistance is too large, rotate the bottom adjusting nut(5) counterclockwise. If the brake slightly sways or swings, then rotate it clockwise. The torque is approximately 14N.m. It is suitable when holding the front wheel to rotate freely and there is not getting stuck.

When reassembling, the top adjusting nut only needs to be screwed to align with the bottom nut groove, so as not to over-tighten to avoid excessive deformation of the rubber pad(6); the torque requirement of the decorative nut(1) is 100 N.m.

- Steering bearing

If the above operation still can not rule out excessive steering resistance or stuck as follows:

Remove the adjusting nut(5), remove the upper dust cover(7), shaft ring(8), and conjoined steel ball(9), remove the directional column & front shock absorber & front wheel assembly, check the shaft ring and the conjoined steel ball for abnormal wear or rust . At the same time, check whether the seat ring(10) in the front frame of the motorcycle frame is abnormally worn or rusted. If you need to, you need to purchase replacement parts on Zontes official website. Newly-applied conjoined steel balls need to be evenly greased, paying attention to the amount of grease.

#### CAUTION:

- The vehicle should be fixed and then operated. During the dismantling process, the material should be protected to prevent scratches.

- If the steering adjustment is too tight, the steering force will be greater. If it is too loose, the front of the vehicle will be slightly shaken when braking, and the driver needs to adjust according to the actual needs of the driver.



FIG.5 FRONT FORK COMPONENT		Add brake fluid, rocker adjustment	CHK	⚠
			ADJ	
NO.	PARTNO.	PART NAME	QTY	CAUTION
1	1134100-032000	ZT250—R Right handle rocker (Machine)	1	
2	1100300-044000	ZT125T front disc brake main pump assembly (without handle)	1	
3	1251513-013000	Disc brake copper washer φ15×φ10.2×1.5	2	
4	1251100-112000	Disc brake oil pipe bolt M10×1-22	1	
5	3070100-008600	Fully synthetic brake oil DOT4 (1L bottle)	1	【1】

#### PROCEDURE:

##### ● Front disc brake main pump

Fix the front disc brake main pump and remove the bolt(4) and copper pad(3) with the sleeve. Do not disassemble it if it does not need to be replaced. Always replace the tubing connector 8 at a high level to prevent air from entering the tubing and cause brake failure. Also clean oil should be removed to prevent dripping onto parts such as covers or mufflers. Be sure to continuously hold the rocker arms after replacement(1) Tap the disc brake main pump(2) to remove a small amount of gas entering the brake oil circuit and confirm that the brakes return to normal.

##### ● Rocker

Rotate the adjusting nut(5) to adjust the distance between the rocker arm and the handle rubber sleeve to adapt to the different driver's feeling.

If you need to replace the rocker, fix the bolt(4) with a hexagon socket tool and remove the nut(6) with a socket or box wrench. Remove the bolt(4) and remove the rocker(1).

##### ● Add brake fluid

Before driving the motorcycle, check whether the brake fluid level is above the "LOWER" marking. If not, check the brake disc or brake disc for wear and whether there is any oil leakage or oil leakage in the brake system. Abnormalities are excluded, then it needs to add brake fluid.

The brake fluid can only be added after the motorcycle is fixed in the horizontal position.

Use a cross screwdriver to remove the bolt(1), remove the top cover(2), cover plate (3), and seal gasket (7).

Add DOT4 brake fluid to front disc brake main pump transparent observation window 3/4.

Be sure to clean the foreign body before reassembling.

#### CAUTION:

- The motorcycle should be fixed after horizontal support and check.
- Periodically check that the fluid level of the brake fluid is at 3/4 of the observation window.
- If the liquid level is under "LOWER", check the brake disc wear and brake system for leaks.
- If you swallow the brake fluid, contact poison control center or hospital immediately; if you get into your eyes, seek medical attention immediately after flushing with clean water.
- Keep brake fluid away from children and pets.
- Do not flush the cup directly with high-pressure water.
- Do not mix water, dust, impurities, and silicic acid or petroleum-based liquids, as this may cause serious damage to the brake system.
- 【1】 Each bottle is 1 liter. It must be used in time after opening, and sealed and moisture-proof measures must be taken when storing; it is recommended not to exceed 1 month. Inferior or damp brake fluid will cause adverse effects on the braking system, and may cause brake failure when the impact is severe. Be sure to change the brake fluid at a maintenance shop with brake fluid replacement equipment and technology to avoid air entering the brake pipeline.

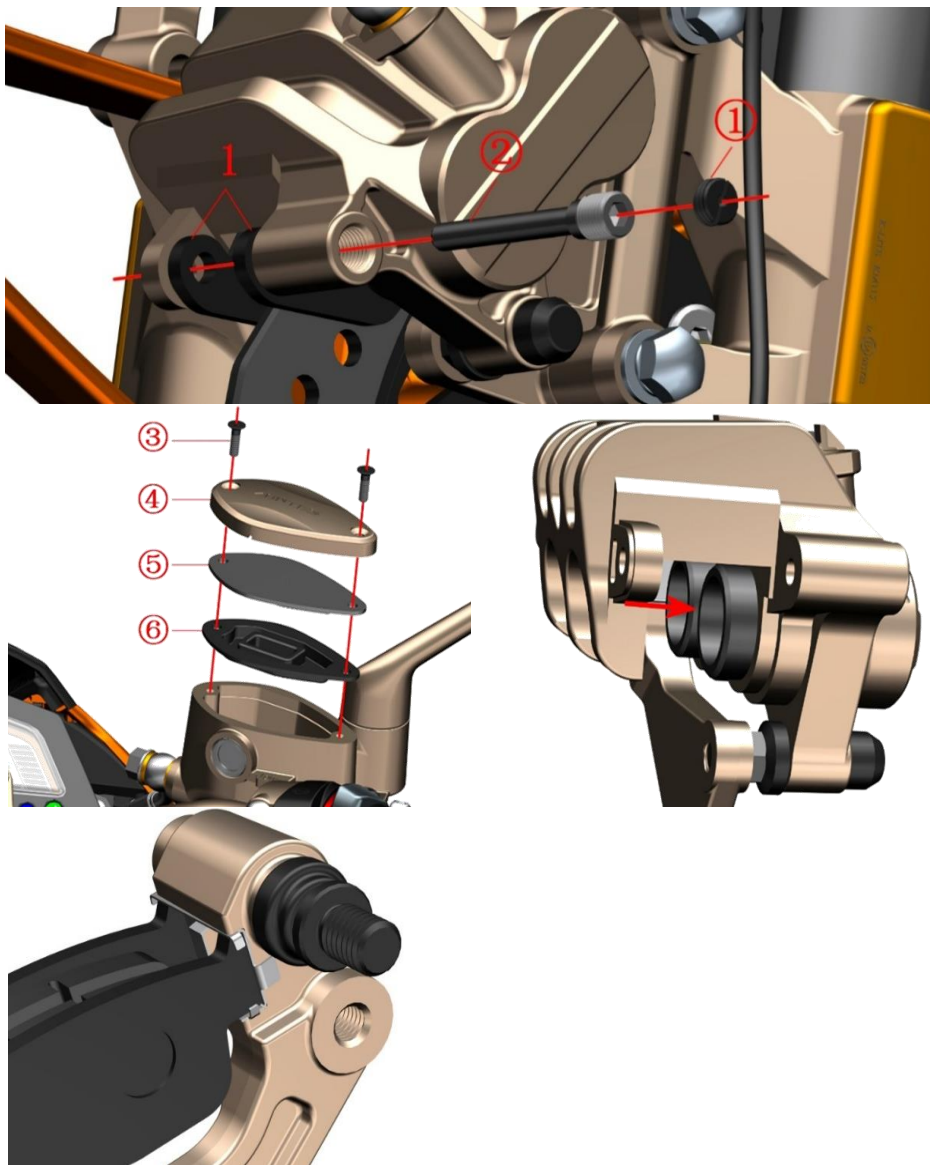


FIG.6 FRONT FORK COMPONENT		Replace the front brake pads	CHK	
			ADJ	
NO.	PARTNO.	PART NAME	QTY	CAUTION
1	1100100-091000	ZT250-S Front Disc brake shoe (H10)	1	After sales

## PROCEDURE:

- Replace the front brake shoe
  - Use a screwdriver to remove the nut①.
  - Remove pin② with hexagonal tool.
  - Remove the brake shoe (1).
  - Clean out foreign matter such as dust on the outer edge of the piston.
  - Use a cross screwdriver to remove the bolt③ on the front brake main pump assembly, remove the top cover④, cover plate⑤, and seal gasket⑥.
  - Push the piston in the direction of the arrow.
  - Restore the front disc brake main pump assembly, it must be accurately assembled in place.
  - Put a new brake shoe, be sure to place the brake shoe close to the card slot, as shown on the left.
  - Lock the pin② with a hexagonal tool.
  - Use a flathead screwdriver to lock the nut①.
  - Repeatedly holding the brake handle until braking force is restored.

## CAUTION:

- The motorcycle support should be fixed before operation
- Check the brake discs and brake discs regularly for wear. Regularly check if the brake fluid level in the front window of the main brake disc is 3/4.
- It is strictly prohibited to disassemble the oil pipe bolts and gas discharge nozzle bolts when replacing the brake shoes to prevent air from entering the pipeline and causing brake failure.
- Do not shake the front after removing the front brake oil cup lid to prevent the brake fluid from overflowing.
- After replacing the brake shoes, the new brake shoes should be operated for about 300 km to fully run in order to achieve the best braking effect. Be careful to allow enough braking distance during running-in.
- It is recommended to replace brake shoes in pairs with qualified maintenance units.

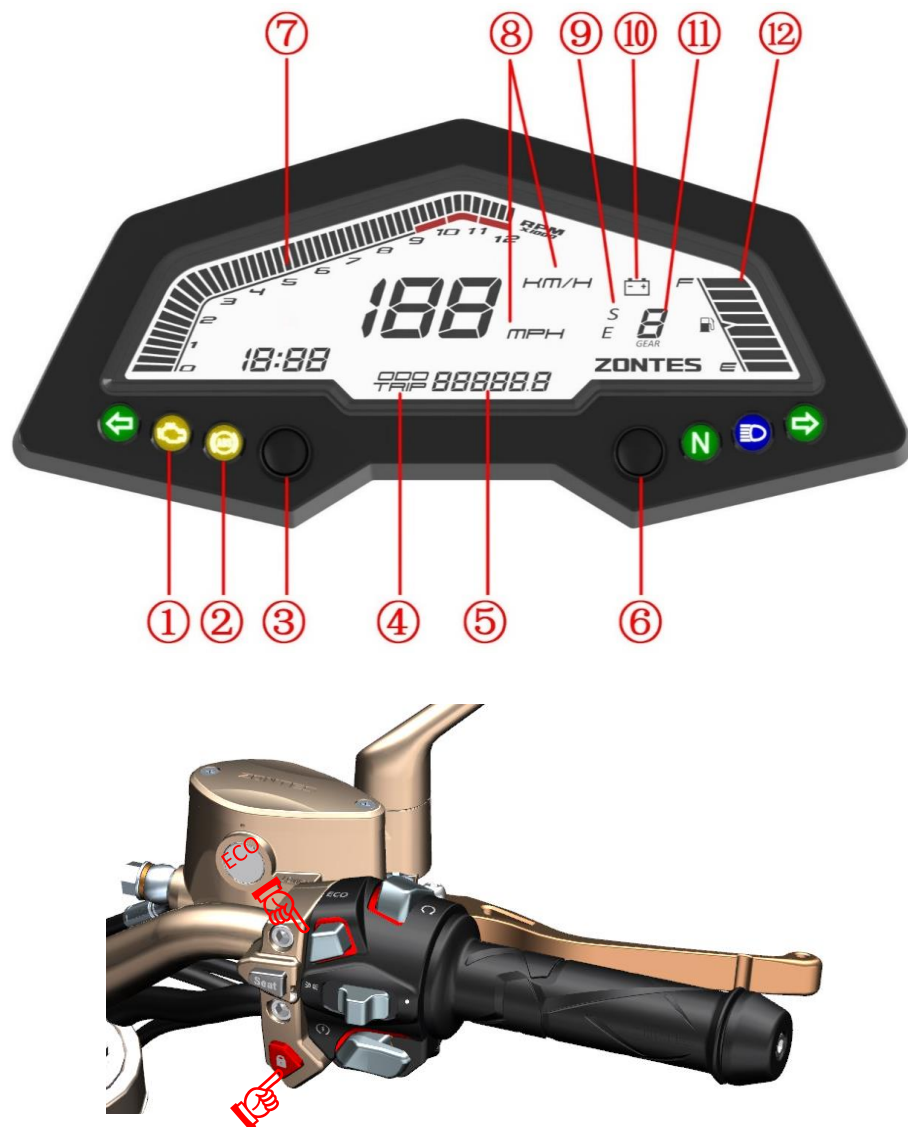


FIG.7 FRONT FORK COMPONENT	Instrument function description	CHK	
		ADJ	

## Instrument function:

①EFI failure signal light; ②ABS anti-lock braking system signal; ③MODE key; ④ODO long odometer; TRIP short odometer;⑤total mileage;⑥SET key;⑦Engine rev instrument;⑧km mark;⑨ECO indicator light;battery low voltage prompt symbol; ⑩gear;⑪fuel oil level meter.

(1)When the right hand presses the '🔒' button of the sub switch (as shown in the lower left figure),the ignition route is turned on, and the meter is turned on:

The screen shows all the content, while the engine speed scans to the maximum scale and then falls back to normal mode.

(2)Short press the '🔒' button.If the EFI failure signal ① is not activated, it is normal. If it is not bright, it indicates that the EFI system is abnormal. If the engine is started, it may cause damage. If the start is successful, the fault signal lights up during operation, and the fault reported by the electric spray indicates that the electronic fuel injection system is abnormal. Please stop the vehicle in a safe location and contact the company's designated after-sales shop to check the vehicle's electronic spray system.

(3)When the motorcycle is energized and the parking is stopped by short pressing th '🔒' button, the ABS anti-lock braking system signal light ② will automatically light up. When the vehicle speed exceeds 5 km/h, it will automatically extinguish. Otherwise, it is indicated that the ABS is faulty. The aftermarket shop inspects and repairs the motorcycles.

(4)When the oil change indicator light is on, turn off the engine after stopping the vehicle in a safe position, and check that the oil amount is sufficient. If it is not enough, it needs to be added as soon as possible; if it has been driven to a certain mileage, it needs to be replaced as soon as possible.

(5)ODO long odometer ④ TRIP short odometer ⑤

Long-short-range switching: In the TRIP mode, press the MODE button shortly to switch to "ODO". In the ODO mode, press the MODE button shortly to switch to the "TRIP" mode. Press and hold the SET button for a short distance to clear. ODO Long mileage total mileage can not be cleared; TRIP can record single or multiple accumulated mileage can be cleared.

(6)In the "ODO" mode, press and hold SET ⑥ to enter the time mode. The MODE key is incremented by the hour; the SET key long press to enter the minute setting flashes at the same time, the MODE competition increases by short minutes, and long press the SET key to complete the time setting. If the battery is removed or the loss of electricity clock is displayed from "12:00".

(7)The tachometer displays the speed of the engine, indicating the number of revolutions of the engine crankshaft per minute. 10000-12000rpm is the red warning zone of engine speed (red printing section).

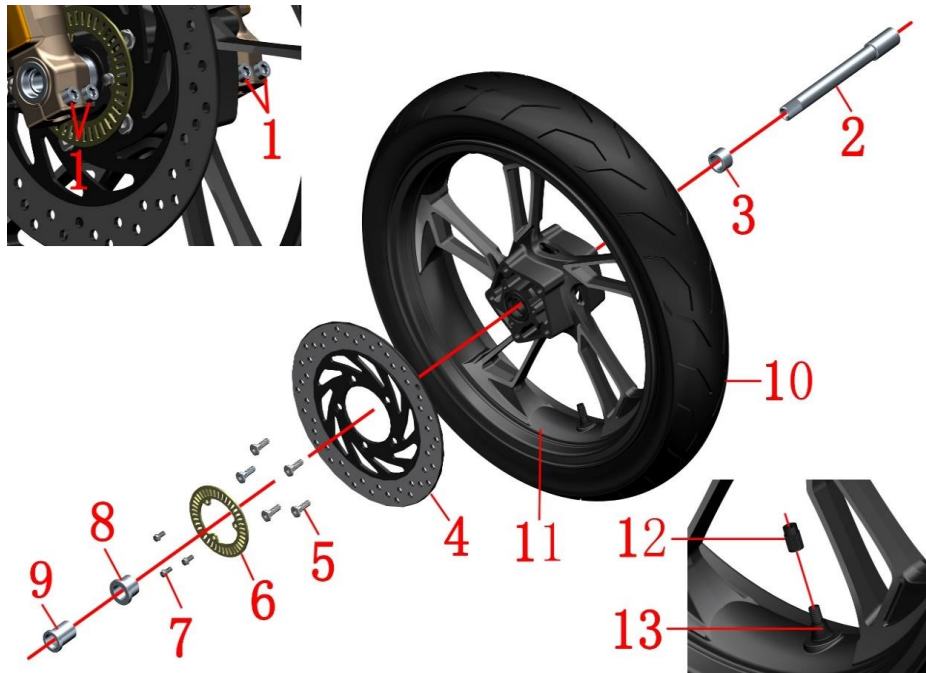
(8)Long press MODE key ③ in "ODO" mode to switch the speed between mph and km/h, and the odometer switches between mile and km

Press the "ECO" button ECO indicator ⑨ shows "E" to indicate that it is in the normal economy mode; the button pops up to show "S" to indicate that it is in power mode.

(9)When the battery low voltage indication symbol ⑩ is flashing, it indicates that the battery voltage is lower than  $11.5 \pm 0.25V$ . Please contact our designated after-sales service store to check, charge or replace the battery as soon as possible.

(10)Gear position ⑪ shows 1, 2, 3, 4, 5, 6 gears, this car adopts international gears.

(11)Fuel level table ⑫ shows that the 8th stage indicates that the fuel tank is full. When the fuel level drops to approximately 1L, the fuel indicator flashes and fuel should be replenished as soon as possible.



## PROCEDURE:

## ●Tire and rim assembly

Remove the 2 bolts (1) on the left front shock absorber bottom with the Allen tool, The bolt (1) of the right front shock-absorbing bottom tube is slightly loosened (it is advisable not to rotate when the hollow shaft is removed). Hold the front wheel first and then remove the hollow shaft (2) with the internal hexagon tool, remove the left sleeve (3), and move the front wheel assembly downward to remove the right sleeve (8) and front wheel assembly. Finally, use the hexagonal tool to remove the 2 bolts (1) of the right front shock absorber and remove the right fixing sleeve (9).

## ●Brake disc、ABS gear ring

Remove the bolt(7) with the sleeve and remove the ABS gear ring(6). Remove the bolt(5) with the hexagonal tool and remove the brake disc(4).

## ●Tire and rim assembly

Remove the valve cap(12) and use a tool to release the air, and then use a professional puller to remove the tire(10). Finally remove the valve with a suitable tool(13).

FIG.8 FRONT FORK COMPONENT		Front wheel assembly	CHK	CAUTION
NO.	PARTNO.	PART NAME	ADJ	
1	1250205-023000	GB70.1 Hexagon M8×35 (environmental color zinc)	4	20N.m
2	1094100-033000	Rear disc brake oil pipe clamp (steel / rubber pad)	1	
3	1094100-008000	ZT250-R Front wheel left sleeve	1	
4	1100100-204000	ZT310—R front brake plate(260×4.5)	1	
5	1251100-117093	Non-standard hexagonal bolt M8×25	5	
6	1274100-054000	ABS9 Anti-lock system gear ring	1	
7	1250104-006097	GB16674M6×12 (chrome/HH)	3	
8	1094100-036000	ZT250-R Front wheel right axle sleeve	1	
9	1094100-037000	ZT250-R Front wheel right fixed axle sleeve	1	
10	1230100-077000	ZT250-S110/70R17(CM609)Tires	1	250kPa
11	1094200-003000	ZT310—R blue front rim(3.0×17)	1	blue
	1094200-007000	ZT310—X black front wheel 3.5 (3.5×17)		
12	1230200-006000	HJ100-D Tire valve cap	1	
13	1230100-047000	HJ125-3A Environmental vacuum valve (TR-412)	1	

## CAUTION:

- Use suitable tools to support the motorcycle to prevent accidents caused by motorcycle incline during disassembly; no individual operation.
- The blue rims in the above table are assembled on the bright blue vehicle, and the black rims are assembled on the dark bright gray/bright orange/extra black vehicle.

Always be vigilant in the entire process to prevent accidents.

- When the front wheel hollow shaft is removed, the bolts of the right front shock-absorbing bottom cylinder are slightly loosened. Do not disassemble the hollow shaft if it is too tight, and the shaft sleeve cannot be fixed when it is too loose
- Take care when removing tyres and rims to prevent damage to the material.
- After replacing the tire, check for leaks and balance.
- Unqualified tire repair fluid may corrode rims and cause safety hazards.
- Insufficient tire pressure may cause steering vibration, abnormal wear, etc.; summer tire pressure is too high there is a risk of puncture.
- Maintenance project
  - Tires: The tires should be regularly inspected for cracks, cracks, air pressure, etc. If the tread wear indicator has been worn out, the tire of the same specification type must be replaced. Refer to the relevant content of the manual for details. The tires are semi-hot melt rubber products and are not suitable for use in areas with low temperatures. When the outdoor temperature is too low, it is recommended to store the vehicle in a place with a high temperature or indoors to prevent freezing cracks. Normal temperature: standard 250 kPa.
  - Rim: Check the rim for signs of deformation, cracks, etc. Rotate the rim horizontally to check if there is any catch, swing, etc.
  - Axle: Use a dial indicator to check for deformation and bending.
  - Brake disc: After the new brake disc is replaced, it should be carried out for about 300 km to fully fit in order to achieve the best braking effect. Care should be taken to ensure adequate braking distance during running-in.

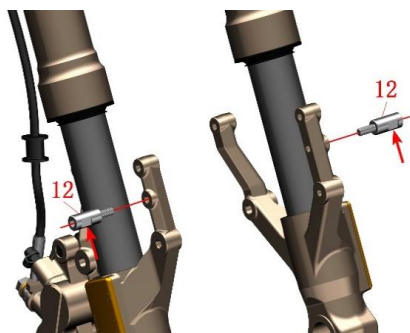
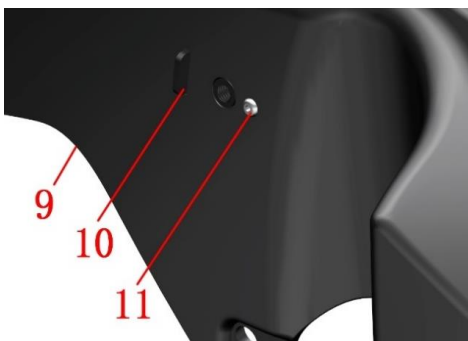
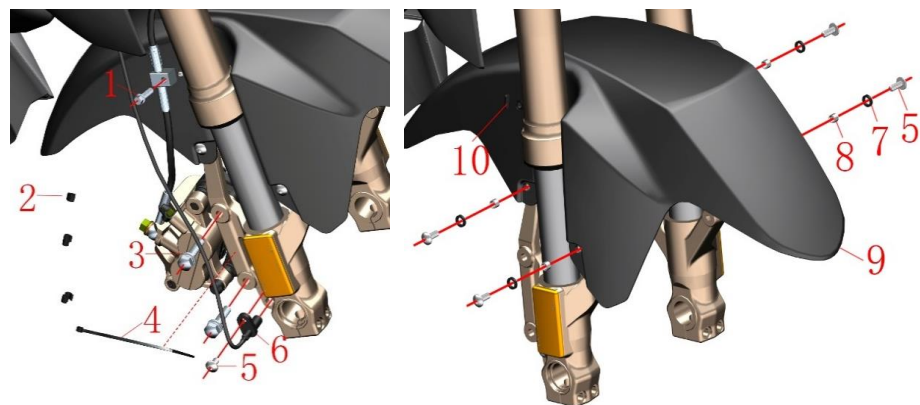


FIG.9 FRONT FORK COMPONENT		Front mud board & wheel speed sensor component	CHK	CAUTION
			ADJ	
NO.	PARTNO.	PART NAME	QTY	
1	1251100-061093	M6×22 Hex flang bolt thread level 8.8 (color zinc)	1	
2	1224100-044000	Wheel speed sensor clamp	3	
3	1251100-080094	Non - standard bolt M8×37(color zinc)	2	
4	1224100-051000	Grade 0 flame retardant tie (black 2.5×100)	1	
5	1251100-102000	Non - standard bolt M6×16(304 stainless steel)	5	
6	1184200-045000	DF30 wheel speed sensor	1	
7	1244100-037000	φ12×φ8.5×2.5 circle buffer glue	4	
8	1274100-018000	ZT250—S anti—hot plate sleeve, muffler	4	
9		Front mud board assembly	1	
10	1274200-038000	ZT310—X Front fender front oil outlet pipe fixed seat	1	
11	1250402-001091	GB12615 φ3×10 Rivet	1	
12	1274200-035194	Front fender liner ZT310 (black zinc)	2	

## PROCEDURE:

## ● Wheel speed sensor

Pull out the plug of the wheel speed sensor(6);Then remove the wire clamp (2). Cut the tie (4); remove the bolt (5),remove the sensor(6).

## ● Front disc brake caliper

Remove the bolts(1) and (3), so that the caliper will hang down naturally. It is forbidden to invert the caliper to prevent the air from entering and causing the brake to fail.

## ● Front mudguard

Hold the front mudguard(10)with hands and remove the four bolts(7)with the hexagonal tool. Remove the bushing(9)and cushion rubber(8).

Remove the front mudguard(10).

The inside of the front mudguard can be protected with reticle or double-sided tape around the rivet(12),then the rivet is ground off with a small sander, and then the rivet (12)and the fixing seat(11)are removed.

## ● Front mudguard liner

Remove the bushing(13)with a 10mm open end wrench.

## CAUTION:

- The motorcycle support should be fixed during disassembly to prevent accidents caused by incline.
- Remove the tube clamps, sensor clamps should pay attention to strength.
- Pay attention to the strength when disassembling the front mud plate to prevent scratching the paint surface.
- Rivets need to be assembled with professional tools.
- The front mud plate assembly already contains the outlet pipe fixing seat and rivets.

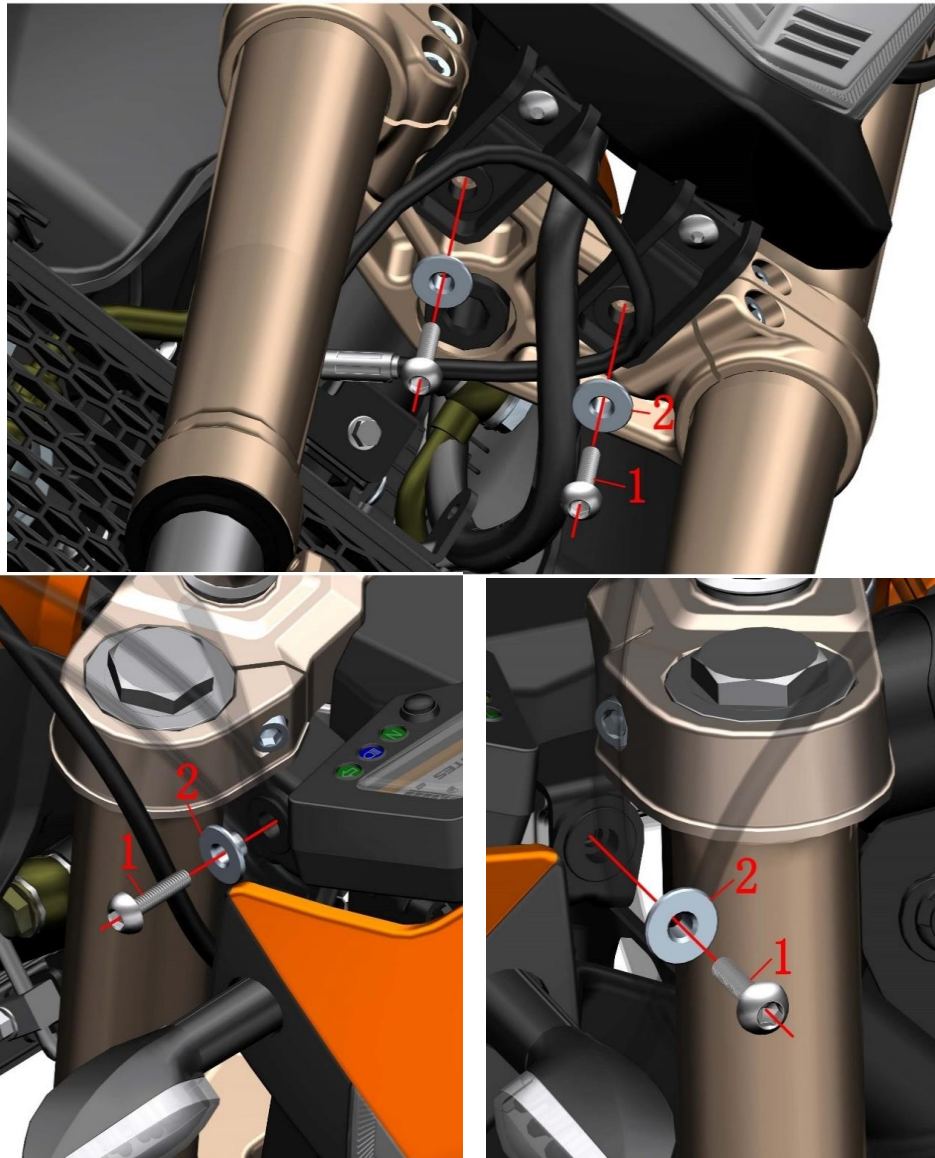


FIG.10 FRONT FORK COMPONENT		Head assembly 1	CHK	
NO.	PARTNO.	PART NAME	ADJ	
1	1251100-121093	Non-standard bolt M6×25 (environmental color)	4	CAUTION
2	1274101-015000	ZT250-S flanging sleeve(φ6.4×φ9×6+φ20×2)(5 pcs/afte	4	

#### PROCEDURE:

##### ●Head assembly

Use your hand to hold the head assembly and remove the two bolts(1) on the bottom of the lower plate with the hexagonal tool. remove the flanged bushing(2).

Use your hand to hold the head assembly and remove the two bolts(1) on both sides of the upper plate bottom with the hexagonal tool. remove the flanged bushing(2).

Move the head assembly forward with your hands, and pull all the plugs on the main harness and head, including headlights, instruments, turn signals, electric door locks, etc.

#### CAUTION:

- The motorcycle support should be fixed during disassembly to prevent accidents caused by incline.
- Take care when unplugging the connector. Never pull it out to avoid damage. When reinstalling, check whether the insert in the plug is misaligned. Check if the tape is missing.

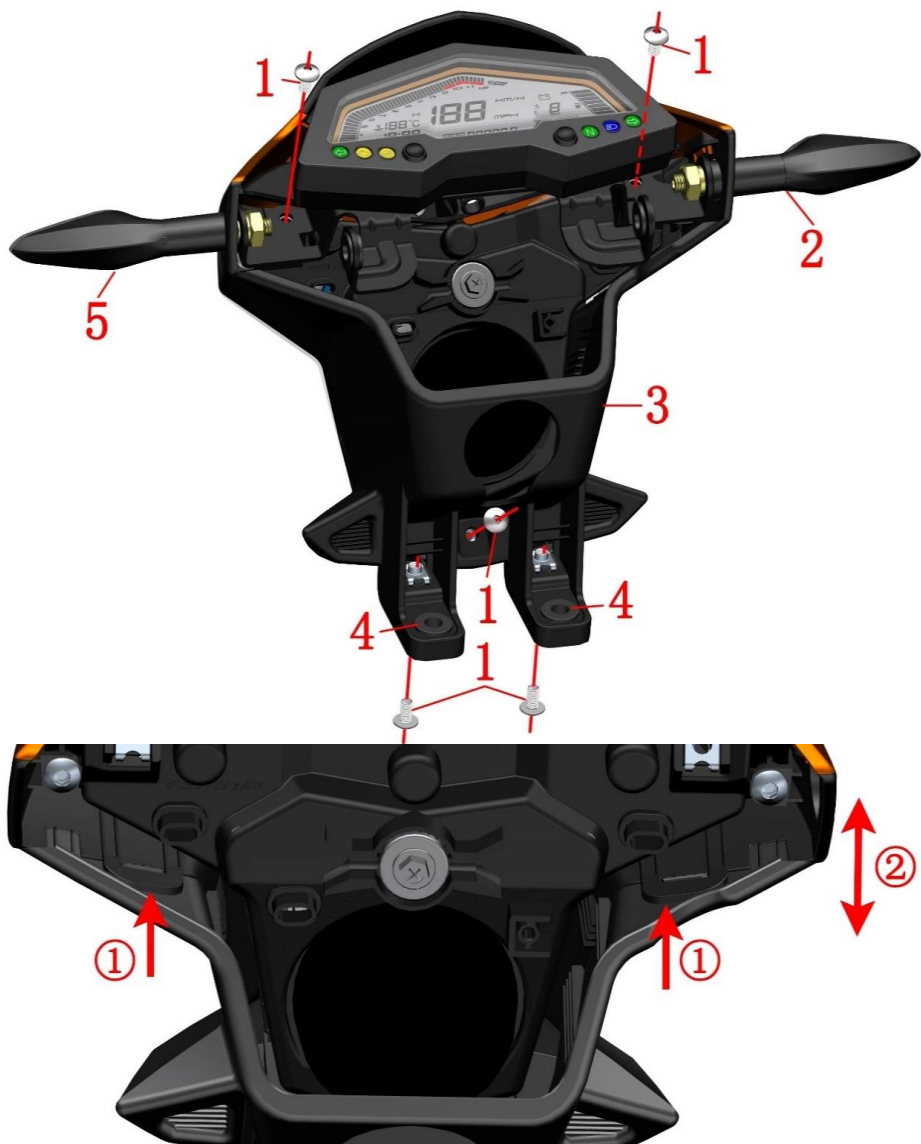


FIG.11 FRONT FORK COMPONENT		Head assembly 2	CHK	CAUTION
NO.	PARTNO.	PART NAME	ADJ	
1	1251100-101000	Non-standard bolt M6×12 (304 stainless steel)	4	
2	1174100-006000	ZT250-S Front right turn signal light	1	
3	1224100-026000	ZT250-S Head cover rear shell	1	
4	1244100-137000	ZT250-S Flanging bushing buffer(5 pcs/after-sale)	2	
5	1174100-005000	ZT250-S Front left turn signal light	1	

## PROCEDURE:

## ● Turn signal light

Use an open-end wrench to remove the hex nuts on the right turn signal light(2) and the left turn signal light(5), and remove the spring washers and washers on the turn signal lights.

## ● Instrument assembly

Remove the two bolts(2) on the upper part of the instrument holder (the top in the left figure) with the hexagonal tool. Remove the instrument assembly and then remove the head cover cushion rubber(1).

## ● Head cover rear shell

## ● Head cover rear shell

Remove the three bolts(1) at the bottom (at the bottom of the left figure) with the hexagonal tool. Use a flat-blade screwdriver to pick up the upper buckle indicated by ① and then apply force to both sides of the head cover rear shell and front assembly in the direction indicated by ② to remove the head cover rear shell(3) and put the cushion rubber(4) from the rear shell.

## CAUTION:

- The motorcycle support should be fixed during disassembly to prevent accidents caused by incline.
- When using a flat-blade screwdriver to pick up the buckle, pay attention to it. If the strength is too high, the buckle may be easily broken.
- When separating the head cover rear shell, pay attention to the direction and strength of the force to avoid causing the buckle to break.
- Pay attention to distinguish the line color when installing the turn signal light, the left turn signal light beam is orange + green, the right turn signal light beam is bright blue + green.

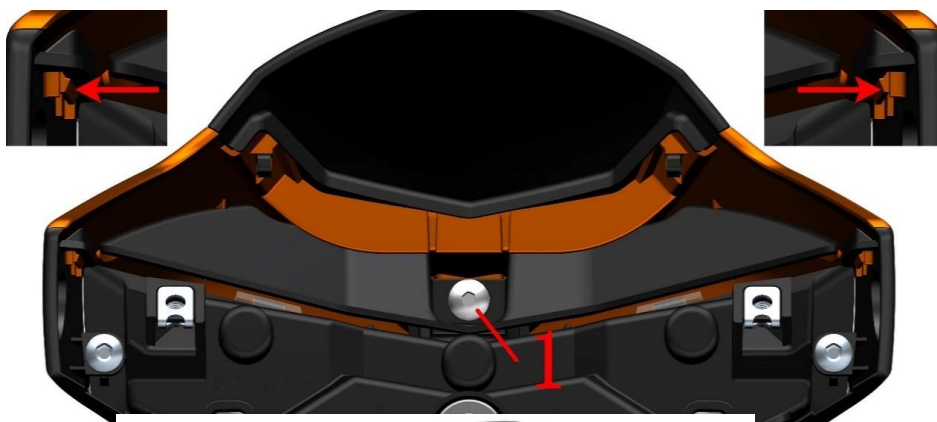


FIG.12 FRONT FORK COMPONENT		Head cover upper part assembly		CHK	CAUTION
NO.	PARTNO.	PART NAME	QTY	ADJ	
1	1251100-101000	Non-standard bolt M6×12 (304 stainless steel)	1		
2	1224100-001000	ZT250-S Windshield	1		
3	1251300-063093	Plywood M6×11×15(green color)	1		
4	1224100-027000	ZT250-S Head cover sandwich	1		
5	4044100-006033	ZT250-S Head cover upper part(bright orange)	1		orange
	4044100-006064	ZT250-S Head cover upper part(bright blue)			blue
	4044100-006021	ZT250-S head cover upper part (special black)			【1】
6	1224100-031000	ZT250-S Head cover light block	1		
7	1251200-033093	Non-standard self-tapping blot ST4.2×12	2		

## PROCEDURE:

## ● Head cover upper part assembly

Remove the bolt with the hexagonal tool(1).

Press the buckle slightly in the direction of the arrow to separate the headlight upper assembly lower headlamp assembly.

Remove the bolt(7) with the hexagonal tool and remove the light block(6).

Push the tip of the windshield (2) forward with hands, and remove the upper part of the head cover(5) and sandwich(4).

Remove the plywood nut(3) from the windshield(2)

## CAUTION:

● Attention should be paid when using the tool to press down the buckle. If the force is too large, the buckle will be easily broken.

● When restoring the bolt(7), the axis of the screw should be perpendicular to the mounting surface of the light barrier, and do not overtighten the pin on the upper part of the head cover.

● 【1】 Make use of dark gray/special black motorcycle .

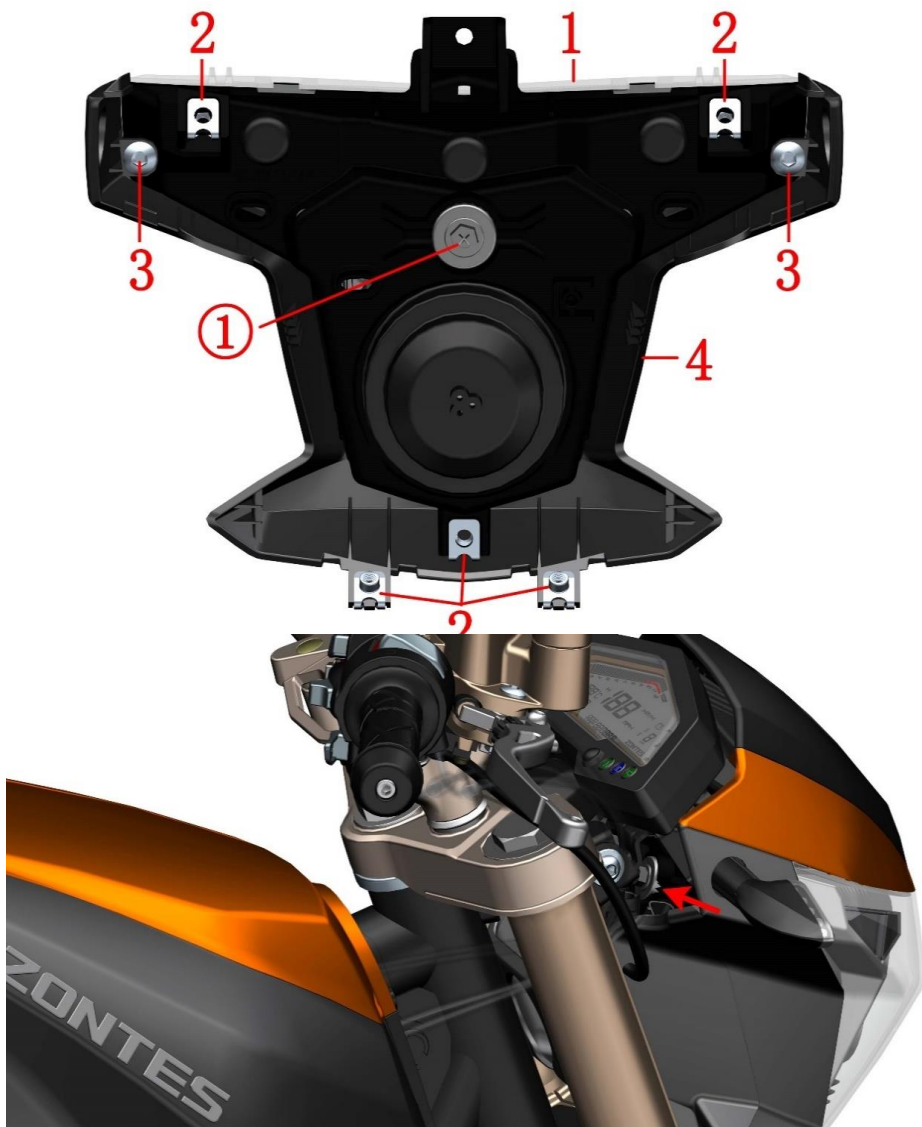


FIG.13 FRONT FORK COMPONENT		Front light assembly	CHK	CAUTION
NO.	PARTNO.	PART NAME	ADJ	
1	1174100-009000	ZT250—S LED Front light	1	
2	1251300-063093	Plywood M6×11×15 (environmental color)	5	
3	1251200-033093	Non—standard self—tapping bolt ST4.2×12(color zinc )	2	
4	4044100-007036	S head cover lower part (electroplated bright gray highlight)	1	
	4044100-007021	ZT250—S head cover lower part (special black)		special black

## PROCEDURE:

## ●Front light

Remove the bolt(3) with the hexagonal tool.

Separate the front light(1) and head cover lower part(4).

Separately remove the plywood nut(2) from the front light(1) and the lower part of the head cover(4).

## ●Adjust the light height

The driver sits on the seat and the motorcycle is upright. The other person uses a cross screwdriver to insert the left or right side of the motorcycle into the zigzag position indicated by the arrows on the left. Rotate the light level adjustment bolt① clockwise or counterclockwise to adjust the light to a suitable position. No need to remove any parts to adjust light height.

## CAUTION:

●Attention should be paid when using the tool to press down the buckle. If the force is too large, the buckle will be easily broken.

●When restoring the bolt(3), the axis of the bolt should be perpendicular to the mounting surface of the light barrier, and do not overtighten the pin on the upper part of the head cover.

●The front light use LED light source, which does not need to be replaced or maintained under normal condition. Therefore, the rubber sleeve behind the front light cannot be removed to prevent dust from entering.

●Orange use for orange vehicle; green&blue use for bright green&bright blue vehicle; dark blue use for dark blue vehicle.

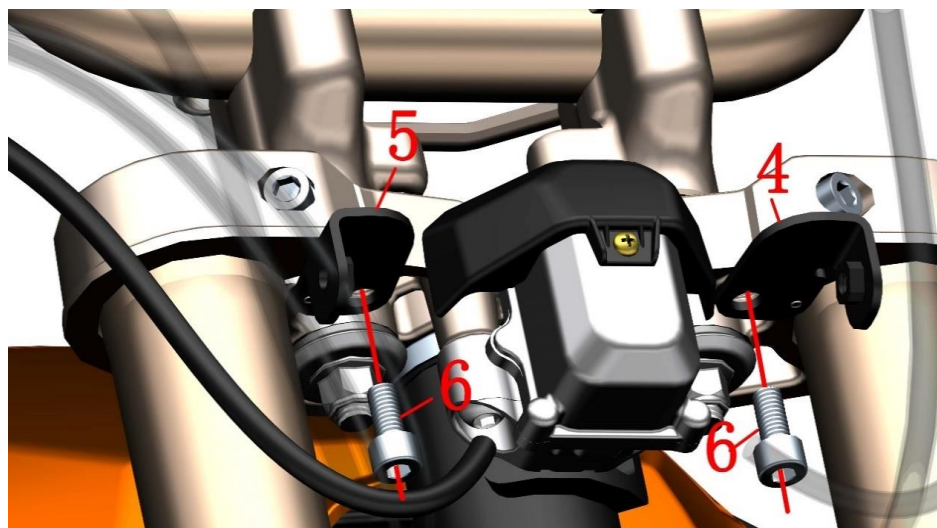
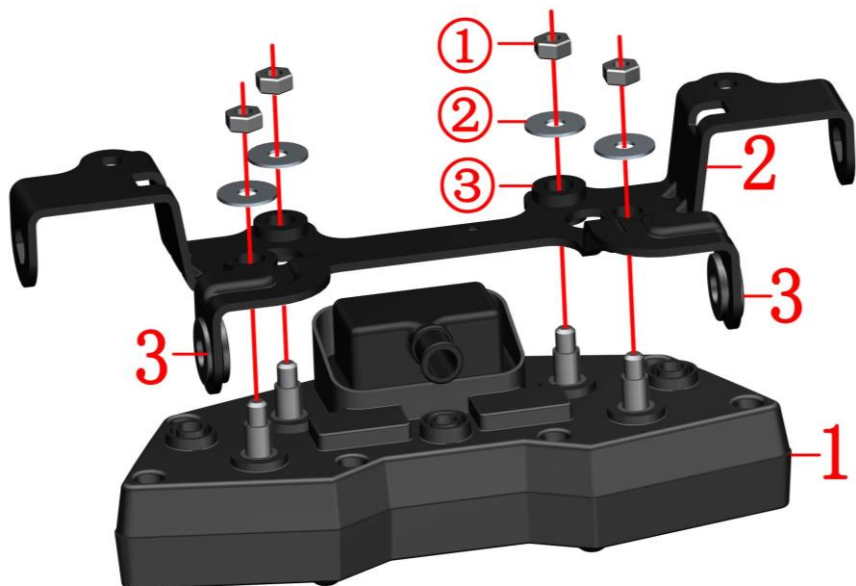


FIG.14 FRONT FORK COMPONENT		Instrument assembly	CHK	CAUTION
NO.	PARTNO.	PART NAME	ADJ	
1	1164100-005000	ZT250-R digital instrument (with gear display)	1	
2	1274100-097000	ZT250-R instrument bracket	1	
3	1244100-137000	ZT250-S Flanging bushing buffer(5 pcs/after-sale)	2	
4	1274100-098000	ZT250-R instrument bracket left mounting ear	1	
5	1274100-099000	ZT250-R instrument bracket right mounting ear	1	
6	1250205-040095	GB70.1 inner hex bolt M8×16(color Zinc)	2	

## PROCEDURE:

## ● Instrument

Remove the four nuts① and gasket②with the sleeve and then remove the instrument(1).

Four pieces of instrument's own buffer are removed from the meter support(2) in the direction of arrows a and b respectively.

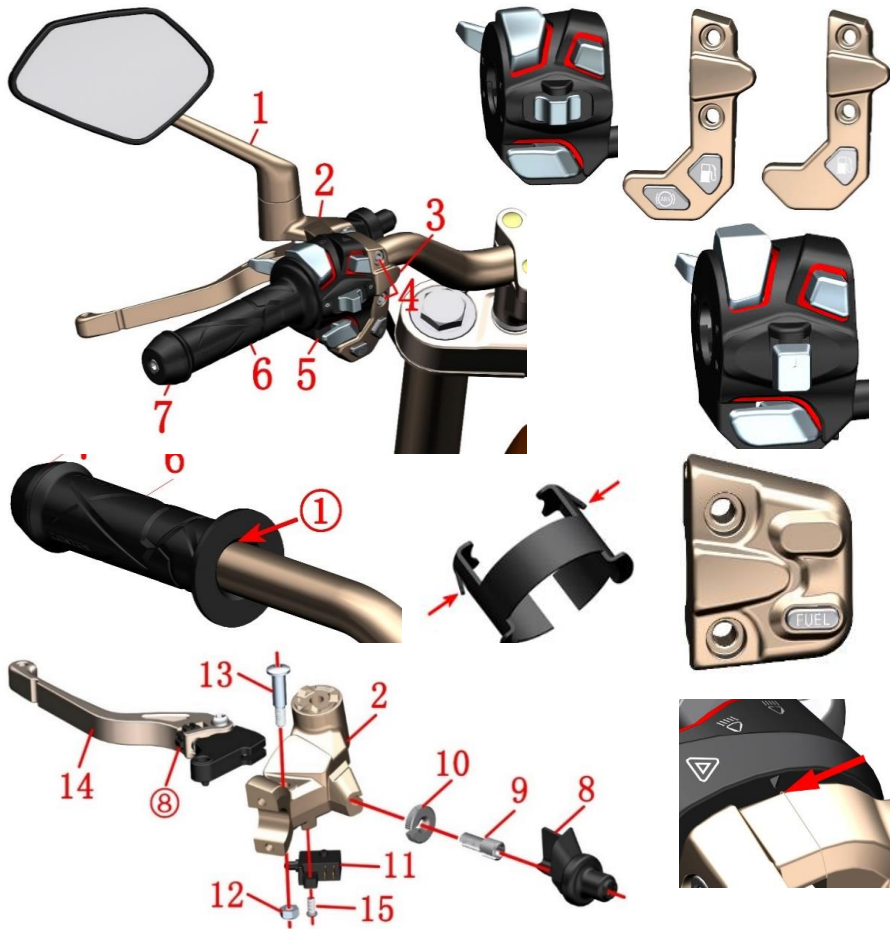
Remove the buffer glue(3)from the Instrument bracket.

## ● Instrument support

Remove the bolt (6) and then remove the left mounting ear (4) and the right mounting ear (5) of the instrument bracket.

## CAUTION:

- When removing the instrument assembly, take care to protect the case and prevent scratches.
- When the assembly is handled, the corner should be tightened. The torque should not be too large to prevent the permanent deformation caused by the excessive deformation of the buffer.
- Do not flush the instrument directly with high-pressure water. Never wipe the instrument with a rag stained with organic solvents such as gasoline, kerosene, alcohol, or brake fluid. Otherwise, the instrument may cause localized cracks or discoloration due to contact with organic solvents.
- Detailed description of the instrument refer to the description of the instrument in the description.
- It is forbidden to operate the instrument when driving a motorcycle, and it is forbidden to leave the direction handle during riding.



## PROCEDURE:

## ● left assistant switch

Locate and unplug the left auxiliary switch cord plug. Fix the left-hand rocker arm seat (2) with one hand, remove the bolt (4) with a hexagonal tool with the other hand, and remove the left auxiliary switch (3).

## ● left rear view mirror, left switch, rocker arm

Remove the clutch line by referring to the "Replace Clutch Line" procedure. Remove the left rear view mirror(1),rocker base(2),left switch(5), and rocker arm(8) by referring to the steps in "Right Handle Assembly" and "Add Brake Fluid Adjusting Rocker Arm"

FIG.15 FRONT FORK COMPONENT		Old Left handle assembly, rocker adjustment	CHK	CAUTION	
NO.	PARTNO.	PART NAME	ADJ		
1	1194100-001000	ZT250-S Left rearview mirror	1		
2	1134100-034000	Left handle rocker arm(without switch/adjusting screw)	1		
Old	1184100-103000	ZT310 - R vice switch of left handle bar	1	Stop selling	
	1184200-132000	ZT310 - R Left Handle Sub Switch (No ABS)		Stop selling	
	1184200-152000	ZT310-R Second Generation Left Handlebar Switch (LCD)		New	
4	1250205-031091	GB70.1M6×30(stainless steel)	2		
5	1184200-066000	ZT310 - X left hand switch (clutch line length 100)	1	Stop selling	
	1184200-141000	ZT310 - X1 Left Handle Switch		New	
6	1244100-139000	ZT250-R left hand rubber sleeve(after-sale)	1		
New	7	1134200-023000	ZT250-R Balancing block	1	
8	1244100-096000	ZT250-R protective rubber sleeve	1		
9	1251100-249000	ZT250-R clutch rocker arm adjusting screw	1		
10	1251300-079000	T250-R clutch rocker arm lock nut	1		
11	1184200-170000	ZT310-V Clutch switch	1		
12	1251300-073000	GB/T6185 hexagonal nylon lock nut M6 (environmental color)	1		
13	1251100-198000	Non-standard bolt M6×13 - φ8×20	1		
14	1134100-031000	ZT250-R Left handle rocker (Machine)	1		
15	1250201-039000	GB818 cross recessed pan head screw M4×12 (color zinc)	1		

## ● Left hand rubber sleeve and balance block assembly

Can be soaked in hot water for about 10 minutes before use a dust blower ①to blow the left hand grip between the rubber sleeve(6) and move the rubber sleeve inwards until the counterweight positioning hole is exposed.

Press the convex parts at the two ends of the weight on the balance weight inward and pull out the balance weight assembly at the same time(7)with tool.

Use a dust blower ①to inject the left sleeve of the rubber sleeve((6)and the direction of the handle .And move it outward to remove the rubber sleeve(6).

## ● Replace the left hand rocker arm and clutch switch

After removing the sheath (8), remove the adjusting screw (9) and the lock nut (10).

Fix the bolt(13)with a hexagonal tool,then remove the nut(12)with a sleeve or a wrench, remove the bolt and then remove the left hand rocker arm(14).

First unplug the clutch switch, then remove the bolt(8)with a Phillips screwdriver and remove the clutch switch(11).

The rotation adjustment nut(8) can adjust the distance between the rocker arm and the left hand rubber sleeve to adapt to the feel of different drivers.

## CAUTION:

● The disassembly and assembly of the clutch cable is carried out according to the steps of the clutch cable adjustment.

● Press when reassembling: left hand handle rubber sleeve-balance weight-switch-left hand handle rocker arm-left rearview mirror. Note that the seam of the rocker arm assembly and the auxiliary switch is aligned with the triangle symbol on the switch.

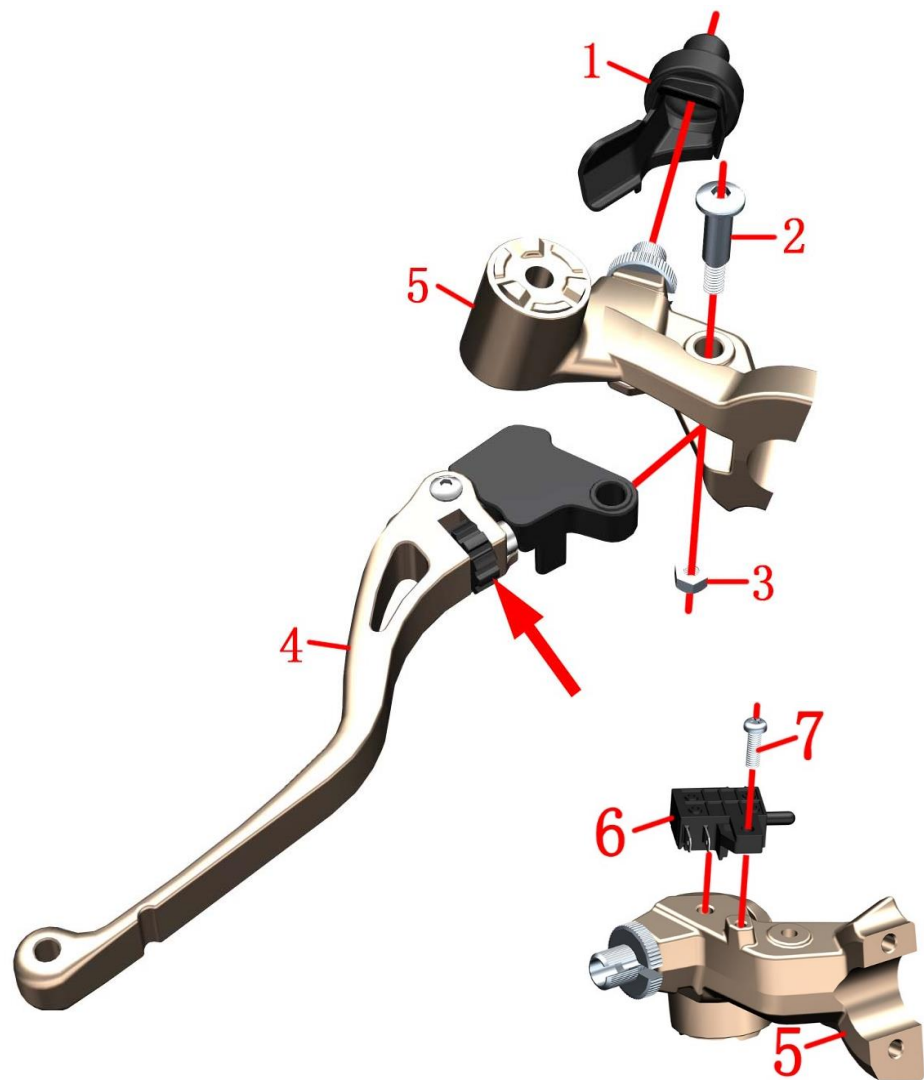


FIG.16 FRONT FORK COMPONENT		New Left handle assembly, rocker adjustment	CHK	CAUTION
			ADJ	
NO.	PARTNO.	PART NAME	QTY	
1	1244200-046000	ZT310 - V clutch line sheath	1	
2	1251100-198000	Non—standard hexagon socket bolt M6×13—φ8×20 (environmental color)	1	
3	1251300-073000	GB/T6185 hexagonal nylon lock nut M6 (environmental color)	1	
4	1134200-010000	ZT310 - VLeft hand rocker arm (CNC)	1	
5	1134200-011000	ZT310 - V left hand rocker arm assembly	1	
6	1184200-170000	ZT310-V Clutch switch	1	
7	1250201-039000	GB818 cross recessed pan head screw M4×12 (color zinc)	1	

## PROCEDURE:

- Replace the left hand rocker arm and clutch switch

Fix the bolt(2) with a hexagonal tool, then remove the nut(3) with a sleeve or a wrench, remove the bolt(2) and then remove the left hand rocker arm(4).

First unplug the clutch switch, then remove the bolt(7) with a Phillips screwdriver and remove the clutch switch(6).

The rotation adjustment nut can adjust the distance between the rocker arm and the left hand rubber sleeve to adapt to the feel of different drivers.

## CAUTION:

- The vehicle should be fixed before operation
- The disassembly and assembly of the clutch line is carried out according to the step of adjusting the clutch cable.
- Press when reassembling: left hand handle rubber sleeve—balance weight—switch—left hand handle rocker arm—left rearview mirror. Note that the seam of the rocker arm assembly and the auxiliary switch is aligned with the triangle symbol on the switch
- See the previous page for details on disassembly and assembly of other materials.

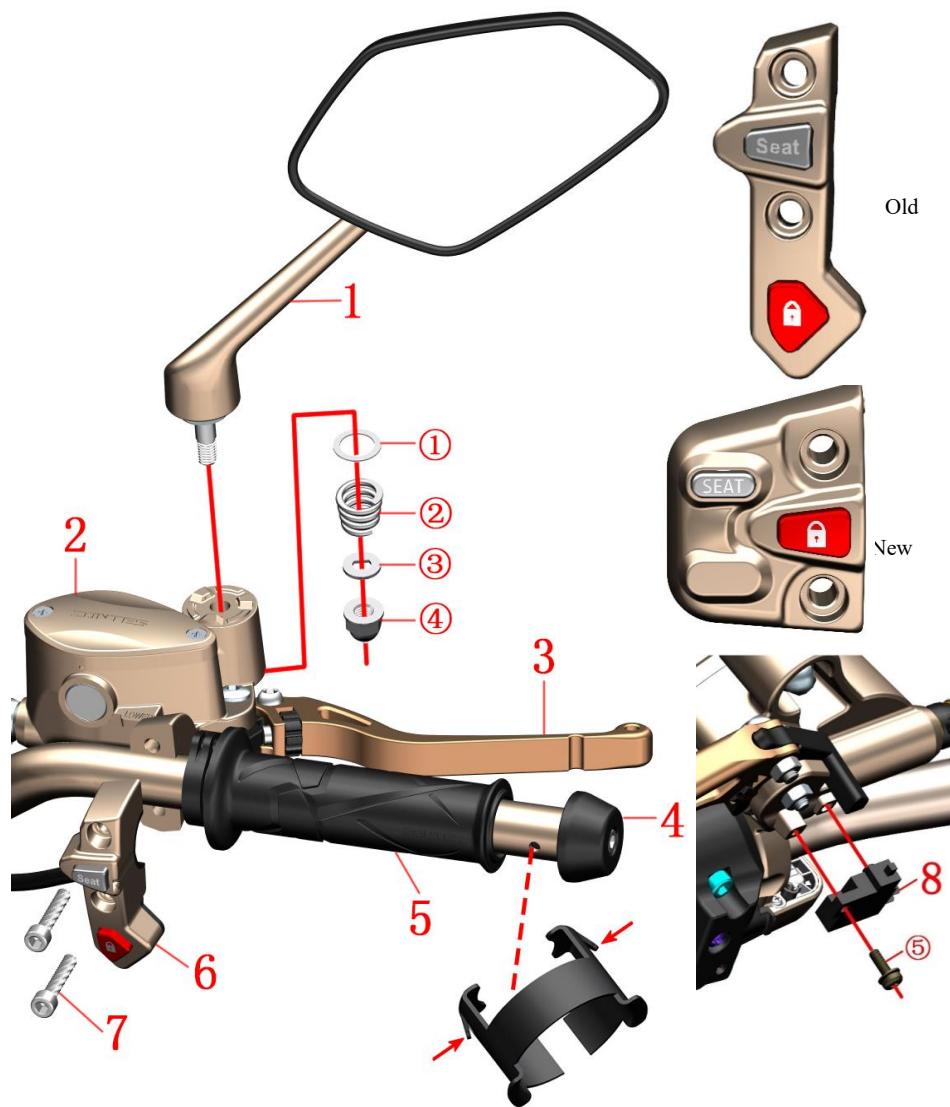


FIG.17 FRONT FORK COMPONENT		Right handle assembly	CHK	CAUTION
			ADJ	
NO.	PARTNO.	PART NAME	QTY	
1	1194100-002000	ZT250-S Right rearview mirror	1	
2	1100300-044000	Front disc brake main pump assembly(without handle)	1	
3	1134100-032000	ZT250-R Right handle rocker arm (Machine)	1	
4	1134200-023000	ZT250-R Balancing block	1	
5	1244100-140000	ZT250-R right handle bar rubber sleeve(after-sale)	1	
6	1184100-105000	ZT310-R vice switch of right handle bar	1	Stop selling
	1184200-153000	ZT310-R Second Generation Right Handlebar Switch		
7	1250205-031091	GB70.1M6×30(stainless steel)	2	
8	1100100-583000	ZT125T front brake switch	1	After sales

## PROCEDURE:

## ●Rearview mirror

Hold the mirror stem in one hand,remove the nut ④ with a sleeve, and remove the small pad ③, the spring ② and the large pad ①. Remove the mirror from the front brake master pump.

## ●Right handlebar to put rubber sleeve, balance block

Push the rubber sleeve (5) with the right handlebar to push forward to expose the upper balance block fixing hole; use the tool to press the convex parts at both ends of the elastic block on the balance block and pull out the balance block assembly (4), and then put the right handle Remove the rubber sleeve (5).

## ●Right handlebar half cover

Hold the front disc brake main pump (2) with one hand, and remove the bolt (7) with the hexagon socket tool. Remove the wire plug connector of the sub switch (6) and pull it out.

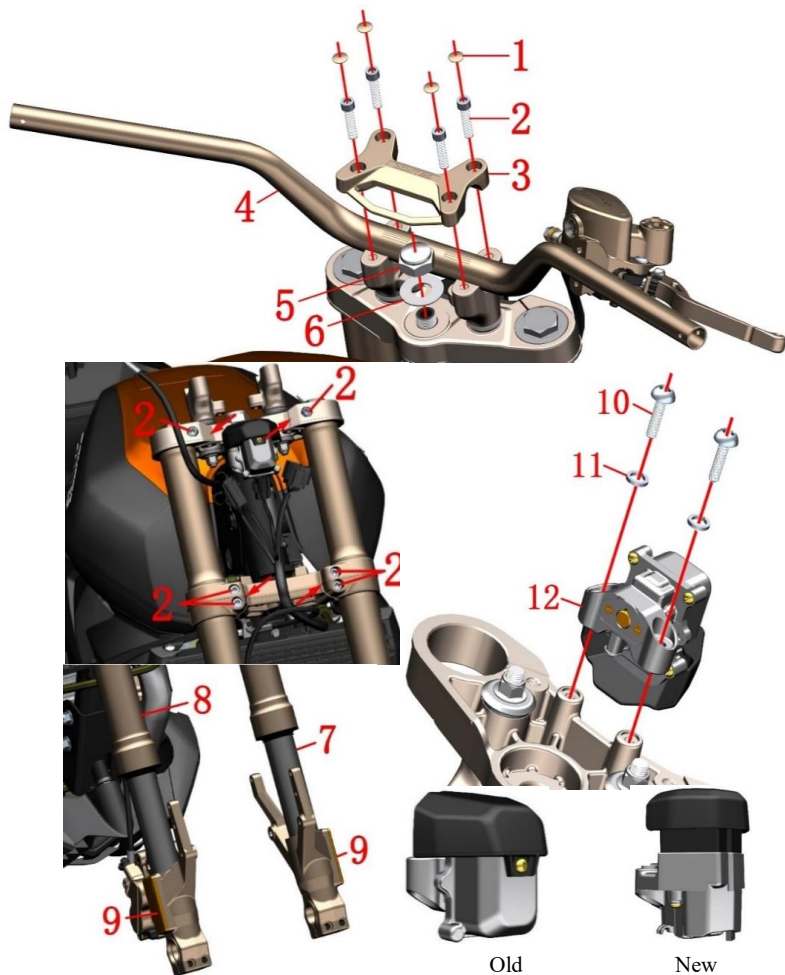
## ●Front brake switch replacement

Unplug the brake switch

Remove the bolt ⑤ attached to the front brake main pump and replace the front brake switch. Note that the boss on the brake switch is aligned with the limit hole at the arrow indication of the front brake main pump.

## CAUTION:

- The motorcycle should be fixed after horizontal support.
- Periodically check that the fluid level of the brake fluid is between 3/4 of the observation window.
- Do not flush the cup directly with high pressure water.
- When assembling the balance block, align the protruding parts at both ends of the shrapnel with the fixing holes on the handle and then insert the direction into the holes.
- The small spacer of the rear view mirror anti-rotation limit slot needs to be aligned with the slot on the mirror bar bolt.
- The right handlebar refers to the switch to replace the throttle line.
- The joint between the front disc brake main pump and the half cover should be aligned with the right hand to match the triangle on the switch.
- Old switch can be replaced as new models.



## PROCEDURE:

## ● Handlebar assembly

Pick up the decorative buckle(1) with a razor blade, hold the direction handle(4) with one hand, remove the bolt(2) with a hexagonal tool in one hand, remove the pressure block(3), the right pad block(5), the left pad block(6), and finally remove the handle(4).

## ● Upper plate assembly

Remove nut(5) with tool and remove washer(6).

Remove the bolt(2) with the hexagonal tool, and use a slotted screwdriver to slightly open the slot on the upper plate as shown by the arrow. Remove the upper plate assembly.

FIG.18 FRONT FORK COMPONENT		Direction handle, upper plate assembly	CHK ADJ	CAUTION
NO.	PARTNO.	PART NAME	QTY	
1	1224100-094051	ZT250-S M8 bolt decorative buckle (titanium gold/WX)	4	
2	1250205-023000	GB70.1 inner hexagonal M8X35 (environmental color)	10	
3	1134200-005000	ZT310-R press block of handle bar(home-made)	1	
4	1134200-003000	ZT310-R handle bar	1	
5	1251300-045000	ZT250-S upper connection decoration nut(chroming)	1	
6	1251500-050000	ZT250-S upper connection gasket $\phi 18.5 \times \phi 39 \times 1$ (chroming)	1	
7	1114200-027000	ZT310-R front left shock absorber(improved)	1	Includede reflection light
8	1114200-028000	ZT310-R front right shock absorber(improved)	1	
9	1174100-001000	ZT250-S reflection light	2	For after-sale
10	1251100-121093	Non-standard bolt M6×25 (environmental color)	2	
11	1250501-007093	GB93 $\phi 8$ (color zinc)	2	
12	1184200-034000	ZT310-R electronic faucet lock (DC)	1	Stop selling
	1184200-156000	ZT250-R Faucet Lock (Electromagnetic Drive / Line Length 150) Assembly		New

## ● Front left and right shock absorbers

Remove the bolts (2) with an inner hexagonal tool, hold the middle part of the shock absorber with one hand, and insert a flat-head screwdriver into the slots of the upper and lower link plates to slightly expand the gap between the slots. Right shock absorber(8)Remove separately.

## ● Reflecting film

The reflector is for replacement after sale (no shock reduction). The heat-reflecting sheet can be moved back and forth by a hot air blower to reduce the viscosity of the double-sided adhesive after being heated, and the residual glue should be cleaned after removing the reflector.

## ● Combination lock assembly

Locate and unplug the combination lock. Remove the bolt (10) with an inner hexagonal tool, and remove the spring washer (11), combination lock (12), and upper link plate assembly

## CAUTION:

- Remove the head assembly, switch, cable, balance block, etc. according to the previous operation.
- The motorcycle should be fixed before operation. During the removal process, the material should be protected to prevent scratches.
- Remove the direction of the assembly can not be rotated to prevent damage to the paint surface.
- Use a flat-blade screwdriver to enlarge the gap between the upper and lower joint plates without applying excessive force to avoid damage.
- When disassembling the shock absorber, move to the axis direction, do not rotate or swing to prevent surface scratches.
- Old faucet lock can be replaced as new models.

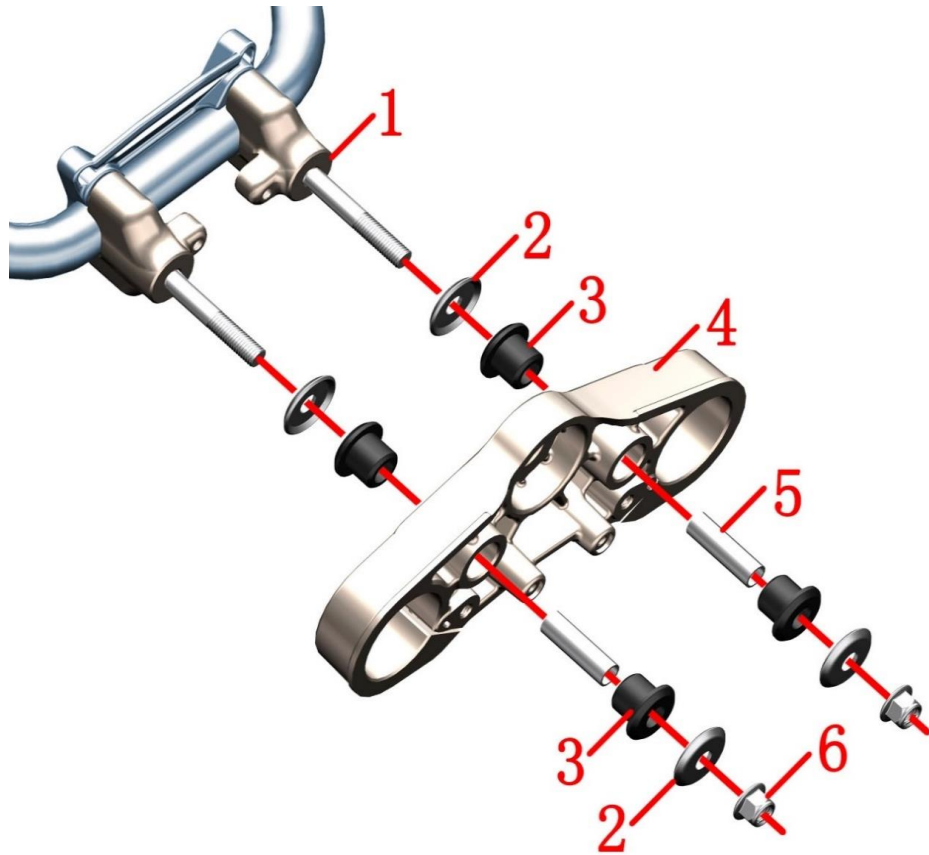


FIG.19 FRONT FORK COMPONENT		Uplink plate, handle bar componen	CHK	CAUTION
NO.	PARTNO.	PART NAME	ADJ	
1	1134200-012000	ZT310 - R direction pad assembly	2	
2	1274200-018000	ZT310 - R gasket of upper connecting board	4	
3	1244200-008000	ZT310 - R buffer rubber of upper connecting board	4	
4	1134200-004000	ZT310-R upper connecting board(home-made)	1	
5	1251700-065000	ZT310 - R bushing $\phi 10 \times \phi 12 \times 41$	2	
6	1251300-057093	Non - standard nut M10×1.5(dacromet)	2	

## PROCEDURE:

## ● Uplink plate and spacer assembly

In order to facilitate the direction of the block, the direction and the upper block should be assembled first to prevent the block from rotating during the disassembly process. The direction should be wrapped with cotton or other soft materials to prevent scratching the paint surface.

Remove the nut (6), and remove the gasket(2), cushion rubber (3),and bushing (5), Remove the upper plate (4). The direction pad component(1), the upper clamp and the direction handle are disassembled.

## CAUTION:

● Protect protective measures to prevent scratching the appearance of parts.

● When reassembling, it is necessary to use the direction to ensure that the center and direction of the spacers on both sides are coaxial with the center. First install 4 pieces of cushioning rubber into the upper plate and then install the bushing separately. Make sure that the bushing is flush with the cushioning rubber, otherwise it should be reassembled. When tightening the nut, ensure that the torque is 40N.m. Check the buffer for spillage and reassemble if necessary.

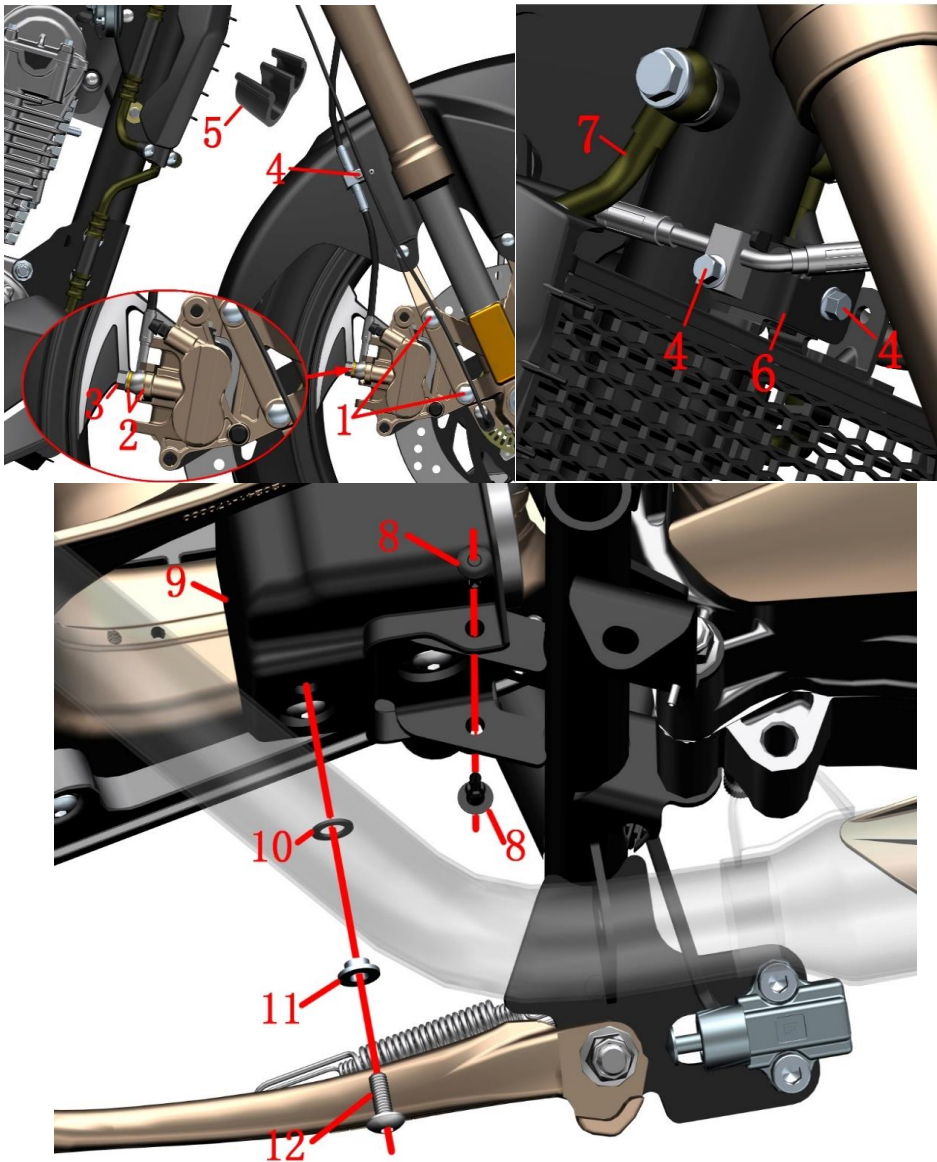


FIG.20 FRONT FORK COMPONENT		ABS braking system-1	CHK	CAUTION
NO.	PARTNO.	PART NAME	ADJ	
1	1251100-080094	Non-standard bolt M8×37 (environmental color zinc)	2	
2	1251513-013000	Disc brake pipe copper washer $\phi 15 \times \phi 10.2 \times 1.5$	2	
3	1251100-112000	Disc brake pipe bolt M10×1 - 22	1	
4	1251100-061093	M6×22 Hex flang bolt thread level 8.8 (color zinc)	3	
5	1224100-044000	Wheel speed sensor clamp	2	
6	1274100-079000	ZT250—R support of front disc brake oil pipe NO.2	1	
7	1244100-069000	ZT250 - R oil cooler outlet pipe	1	
8	1224100-089000	ZT250-S Expansion nail(5 pcs/after-sale)	2	
9	1224100-047000	ZT250-R ABS hydraulic control init cover	1	
10	1241200-124021	flanging bushing buffer rubber ( $\phi 8.5 \times \phi 14 \times 1$ )(5 pcs/after-sale)	1	
11	1274100-155095	Flanged bushing $\phi 6.2 \times \phi 8.4 \times 3.5 + \phi 14 \times 1.5$ (5 pcs/after-sale)	1	
12	1251100-102000	Non-standard bolt M6×16 (304 stainless steel)	1	

## PROCEDURE:

## ● Front disc brake pump body

First refer to the previous operation of adding brake fluid, and remove the upper cover of the front disc brake main pump. Place the oil pan, remove the bolt (3) and remove the copper pad (2) and put it in the pipeline. Place the oil pan, remove the bolt (3), remove the copper pad (2), drain the brake fluid in the pipeline. Remove the bolts (1) and remove the lower pump body of the disc brake. Remove the bolt (4) on the front mud plate, and remove the wire clamp (5). When putting brake fluid, prevent it from touching the skin or dripping onto the ground or other parts of the vehicle. For the precautions of brake fluid, please refer to the description in the operation of adding brake fluid.

## ● Disc front bracket

Remove the bolt (4) near the oil outlet pipe (7) of the oil cooler, without removing the bracket (6) and the bolt (4) at the front.

Pull the oil pipe out of the gap between the oil outlet pipe (7) and the frame.

## ● ABS protection cover

Refer to the steps in "Rear Flange Assembly" in the rear and rear trim assembly and remove the expansion screw(8), bolt(12), bushing(11), pad(10) and protective cover(9).

## CAUTION:

- Need to remove the seat cushion, fuel tank and liner, side cover, lower shroud, hood component, muffler in advance.
- Do not disassemble the muffler and engine until they have completely cooled down.
- The motorcycle should be fixed horizontally and then disassembled.
- Because the ABS control system adopts the dry ABS control unit (ie, the ABS control unit itself does not have brake fluid), it must obtain our company's authorization code and adopt professional vacuum equipment to fill the ABS system with disc brake oil. If there is no professional equipment, it is forbidden to dismantle the whole
- Front and rear disc brakes The main pump oil cup does not need professional equipment and authorization code to add brake fluid, but need to prevent air from entering the piping.

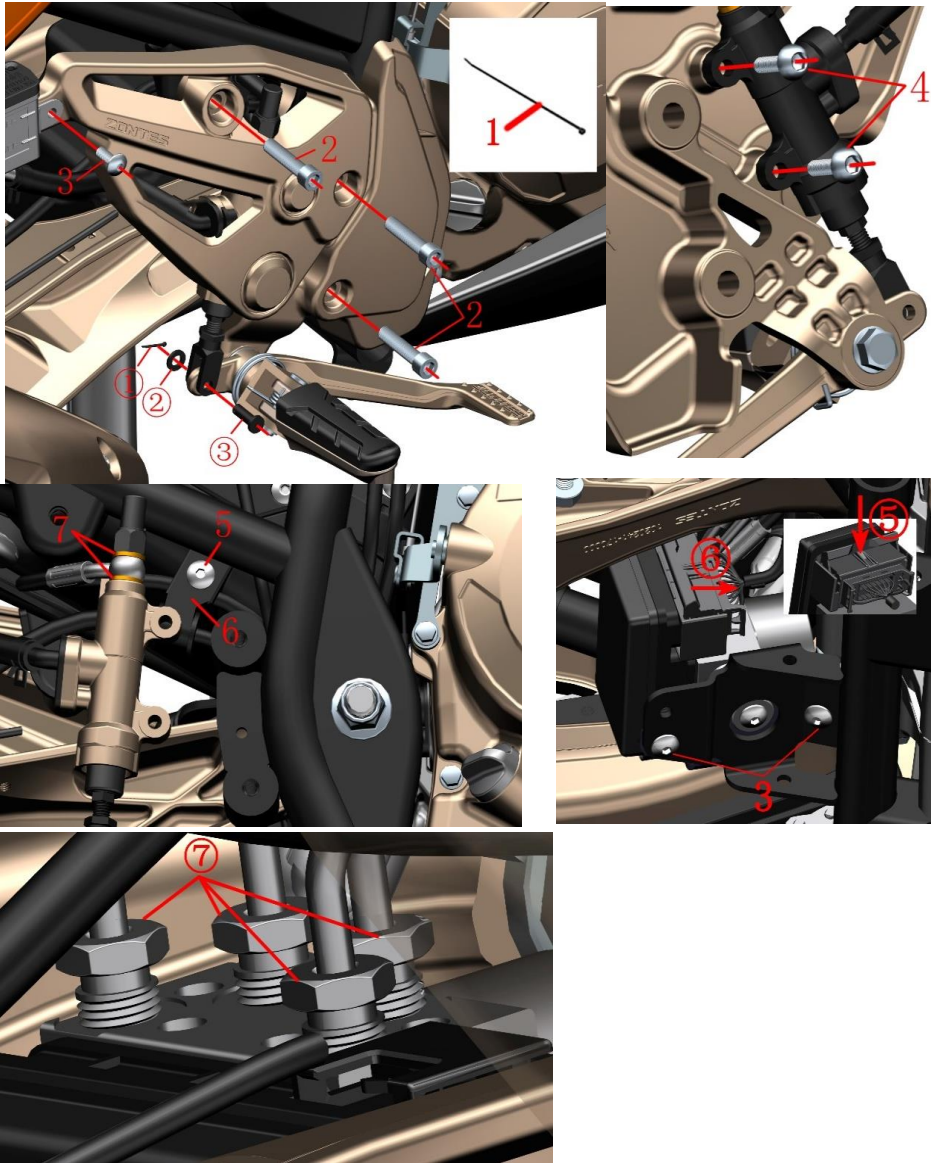


FIG.21 FRONT FORK COMPONENT		ABS braking system-2	CHK	CAUTION
			ADJ	
NO.	PARTNO.	PART NAME	QTY	
1	1226000-218000	Grade 0 flame retardant tie (black 3.6×295)(5 pcs/after-sa	3	
2	1250205-023000	GB70.1 inner hexagonal M8X35 (environmental color)	3	
3	1251100-102000	Non - standard bolt M6×16(304 stainless steel)	3	
4	1251100-121093	Non-standard bolt M6×25 (green color)	2	
5	1251100-101000	Non-standard bolt M6×12 (304 stainless steel)	1	
6	1274100-076000	ZT250-R Rear disc brake oil pipe clamp (steel)	1	
7	1251513-013000	Disc brake pipe copper washer φ 15× φ 10.2 × 1.5	2	
8	1251112-001093	M6×16 Hexagon flange bolts (color zinc)	1	
9	1274100-088000	ZT250-R Rear disc brake oil pipe clamp (steel / rubber pad)	1	

## PROCEDURE:

## ● Foot support assembly

Cut the cable tie (1); remove the split pin (1), gasket (2), and pin (3) at the connection between the rear brake main pump and the brake pedal. After removing the bolt (2), turn the pedal bracket assembly to the back and remove the bolt (4).

## ● ABS brake system parts

Place the oil pan, wear waterproof gloves, remove the copper pad (7) on the rear brake main pump with tools, and drain the brake fluid.

Remove the bolt(5) with the hexagonal tool and pull the tubing out of the bracket(6).

Remove the bolt(8) at the rear inner mud plate with the hexagonal tool and pull the tubing from the bracket(9).

## ● ABS control unit assembly

Remove the bolts(3)at the joint between the ABS control unit and the frame, and cut the tie(1).

Press the limit tab(5) on the cable connector and push the lever(6) in the direction of the arrow to pull out the cable connector.

Pull out the ABS control unit assembly and place the oil pan underneath. First loosen the cross bolt on the upper lid of the front disc brake oil cup, and then loosen the nut (7)with an open wrench to empty the brake fluid in the tubing. Finally clean the oil with a clean non-woven cloth.

## CAUTION:

●Need to remove the seat cushion, fuel tank and liner, side cover, lower shroud, hood component, muffler in advance.

●Do not disassemble the muffler and engine until they are completely cooled.

●The motorcycle should be fixed horizontally and then disassembled.

●Because the ABS control system adopts the dry ABS control unit (ie, the ABS control unit itself does not have brake fluid), it is necessary to obtain our company's authorization code and use of professional vacuum equipment to fill the ABS system with disc brake oil. If there is no professional equipment, it is forbidden to dismantle the whole system without authorization, otherwise it may cause the brake to fail, resulting in accidental injury.

●Front and rear disc brakes The main pump oil cup does not need professional equipment and authorization code to add brake fluid, but need to prevent air from entering the piping.

●The torque standard of nut(7) is 18N.m.

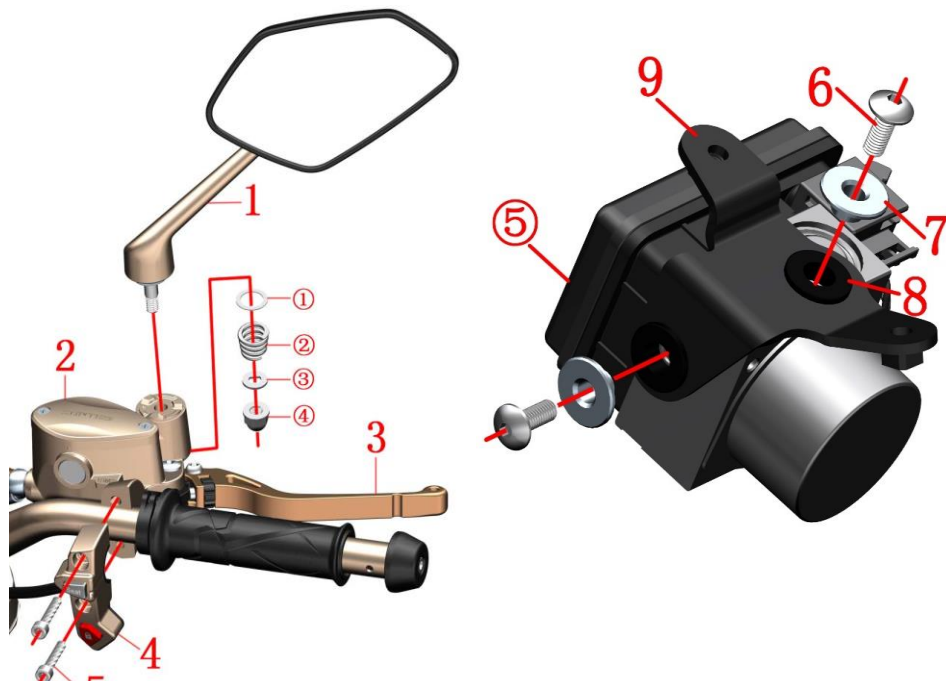


FIG.22 FRONT FORK COMPONENT		ABS braking system-3		CHK	CAUTION
NO.	PARTNO.	PART NAME	QTY	ADJ	
1	1194100-002000	ZT250-S Right rearview mirror	1		
2	1100300-044000	ZT125T front disc main pump assembly(without rocker arm)	1		
3	1134100-032000	ZT250-R Right handle rocker (Machine)	1		
4	1184100-105000	ZT310-R vice switch of right handle bar	1		
5	1250205-031091	GB70.1M6×30(stainless steel)	2		
6	1251100-102000	Non-standard bolt M6×16 (304 stainless steel)	3		
7	1274101-015000	ZT250-S flanging sleeve(φ6.4×φ9×6 + φ20×2)(5 pcs/afte	2		
8	1244100-137000	ZT250-S Flanging bushing buffer(5 pcs/after-sale)	2		
9	4024100-020000	ZT250-R ABS mounting bracket	1		
10	1224200-003000	ZT310-Z Rear disc brake oil clamp	1		
11	1224100-044000	Wheel speed sensor clamp	3		
12	1251300-050000	ZT310-Z Chain adjuster nut M10 (304 stainless steel)	1		
13	1251100-105000	ZT310-Z Chain adjuster bolt M10×70 (304 stainless steel)	1		
14	1094100-032000	ZT250-R Rear wheel hollow shaft	1		
15	1251300-067000	ZT250-R Rear wheel hollow shaft nut	1		110N.m
16	1274100-072000	ZT310 Right adjuster	1		
17	1184200-045000	DF30 wheel speed sensor	1		

PROCEDURE:

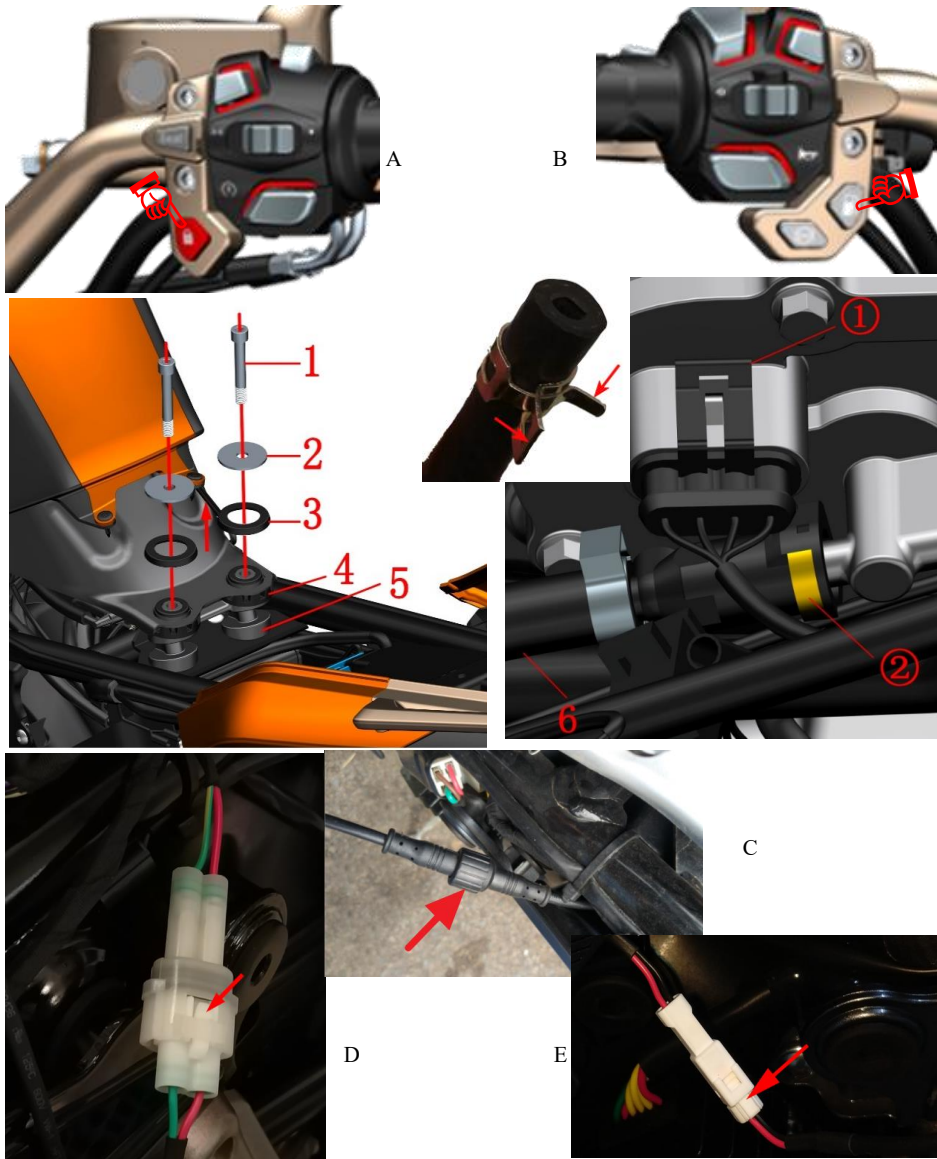


FIG.1 FUEL TANK INNER COVER		Fuel tank inner tank component	CHK	CAUTION
NO.	PART NO.	PART NAME	ADJ	
1	1250205-043093	GB70.1M8×55 (environmental color)	2	
2	1251900-028093	R fuel tank flat pad φ9×φ37.5×2 (environmental color)	2	
3	1244100-020000	ZT250—S tank pressure glue	2	
4	1244100-053000	ZT250—S fuel tank gasket	2	
5	1274100-080000	ZT250—R cushion fixing block	1	
6	1050954-006000	ZT250—R Fuel injection high pressure subcomponent	1	

PROCEDURE:

●Fuel tank inner tank component

Short press the unlock button“ ” (pictureA) ,after the power-on self-check is completed,short press“ ” (pictureB) to open the outer cover of the fuel tank. Be careful not to close the outer cover of the fuel tank.

Remove the bolts (1) with the inner hex tool; Remove flat gasket (2) and press rubber (3).

Lift the rear of the tank, remove the gasket rubber (4) and fix the seat block (5).

Locate and unplug the cable connector of the electronic fuel tank lock near the front of the right side cover (Figure D)

Locate and unplug the electronic PKE external antenna cable connector near the front of the left side cover (pictureCold state or E new state) .

Pull the main line limit card ① into the outside and pull out the plug.

Find the limit card ring ② on the top of the high pressure tubing unit (6), and press the pressure to the outside. Continue to raise the tank's bladder component, clamp the pipe clamp on the air pipe by the arrow direction, and remove the vent pipe.

Move the tank inside the tank slightly to the left and right and then pull back to the top.

CAUTION:

- Remove the seat cushion, side cover, fuel tank cover, etc. in advance.
- When the high pressure fuel pipe is removed, it must be operated after the engine and muffler are completely cooled to prevent accidental ignition of the fuel.
- Fireworks should be strictly prohibited in the vicinity of the motorcycle repair place, answering or dialing, etc. to prevent accidents.
- A small amount of fuel leaks when the high pressure pipe subassembly is pulled out. Prevent the fuel from dripping outside the engine or muffler.

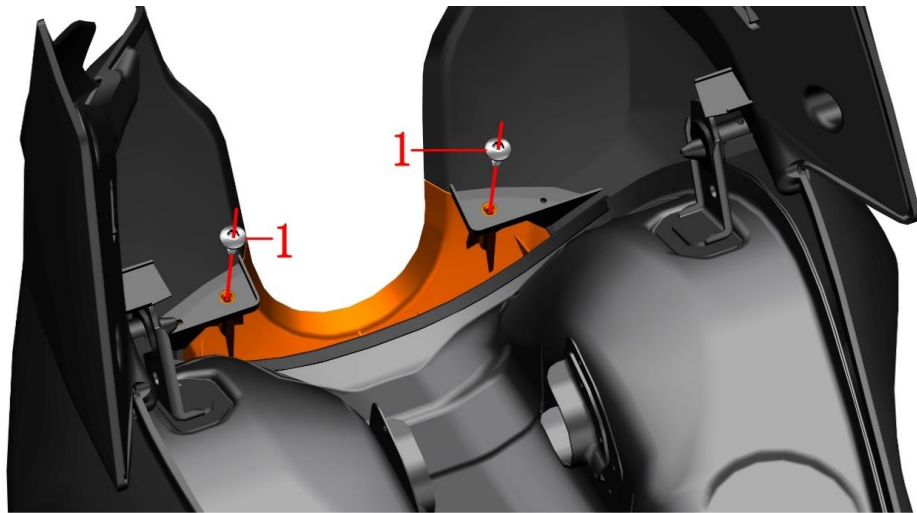


FIG.2 FUEL TANK COVER		Fuel tank middle cover assembly		CHK	
NO.	PART NO.	PART NAME	QTY	CAUTION	
1	1251200-033093	Non-standard nut (environmental color)	2		
2	1251100-102000	Non-standard bolts M6×16 (304 stainless steel)	2		
3	1224100-089000	ZT250-S Expansion nail(5 pcs/after-sale)	2		

#### PROCEDURE:

##### ●Fuel tank middle cover assembly

Turn the Fuel tank cover and Fuel tank liner assembly upside down and remove the bolt (1). Be careful not to close the Fuel tank cover and take care to protect the paint surface.

Remove the swell nail.(3)

Remove the bolt (2) with the hexagonal tool and be careful not to pull the Fuel tank cover nylon rope①.

Pull back the middle cover assembly and remove it.

#### CAUTION:

- Make sure the motorcycle is fixed during the process of discomponent.
- Do not close the fuel tank cover and do not release the fuel tank cover ②when disassembling.
- The torque of the self-tapping screw during reassembly should not be too large to prevent damage to the fuel tank cover.
- The material should be protected during the disassembly process to prevent damage to the paint surface.

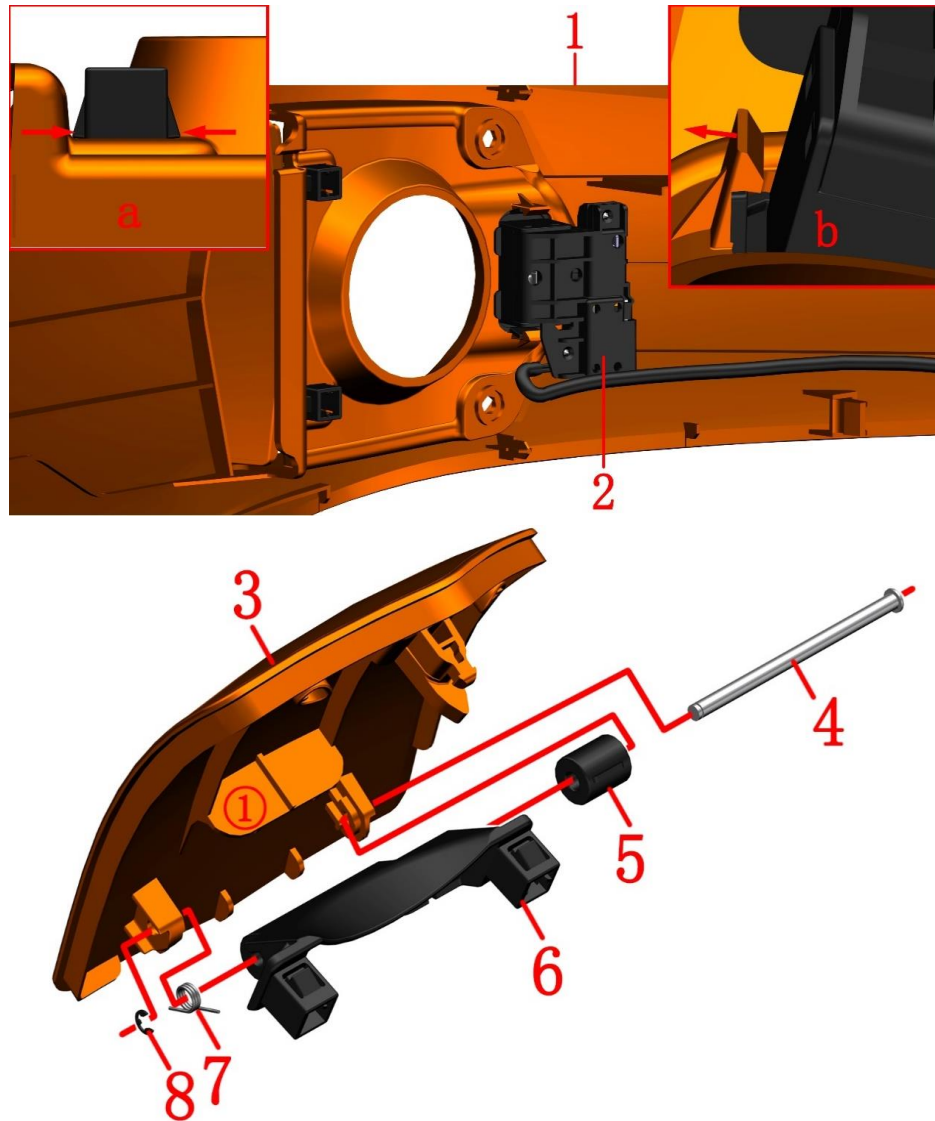


FIG.3 FUEL TANK COVER		Fuel tank middle cover、Fuel tank cover、Fuel tank lock	CHK ADJ	
NO.	PART NO.	PART NAME	QTY	CAUTION
1	4044101-003033	ZT250—R Fuel tank middle cover (bright orange)	1	Orange
	4044101-003064	ZT250 - R middle cover of fuel tank (bright blue)		blue
	4044101-003021	ZT250—R fuel tank middle cover (special black)		gray
	4044101-003051	ZT250-R fuel tank cover (titanium)		special black
2	1184200-002000	ZT310 electronic fuel tank lock	1	
3	4044100-010033	ZT250—S Fuel tank cover (bright orange)	1	Orange
	4044100-010064	ZT250—S Fuel tank cover (bright blue)		blue
	4044100-010021	ZT250—S fuel tank cover (special black)		gray
	4044100-010051	ZT250—S fuel tank cover (titanium)		special black
4	1274101-016000	ZT250-S rotating axle of fuel tank outside cover(after-s	1	
5	1224100-014000	ZT250—S Fuel tank cover spinning damping	1	
6	1274100-021000	ZT250—S Fuel tank cover rotating bracket	1	
7	1260100-255000	ZT250-S torsion spring of tank outer cover rotating shaft	1	
8	1260100-469000	ZT310-T storage box cover rotating shaft limit circlip(5 pcs/after-sale)	1	

## PROCEDURE:

## ●Fuel tank lock

Use a slotted screwdriver to carefully open the two ends of the middle cover, as shown in Figure b, remove the Fuel tank lock (2), pay attention to prevent damage to the buckle.

## ●Fuel tank cover assembly

Hold the clamp of the rotating bracket (6) with a needle-nose pliers and clamp it sbrightly. As shown in Figure a, remove the cover assembly and pay attention to prevent damage to the buckle.

Use the shaft to remove the retainer(8) on the rotation shaft (4) with the circlip pliers. Remove the rotating shaft(4), separate the torsion spring (7), rotating bracket (6), damper (5).

## CAUTION:

●Proper material should be protected during disassembly to prevent damage to the paint surface.

●Take care when disassembling the buckle to prevent damage to the buckle.

●Be careful not to lose your own spring when removing the rotating bracket

●When assembling, pay attention to whether the length of the process clip ① on the cover is too long. If it is too long, be sure to cut it short.

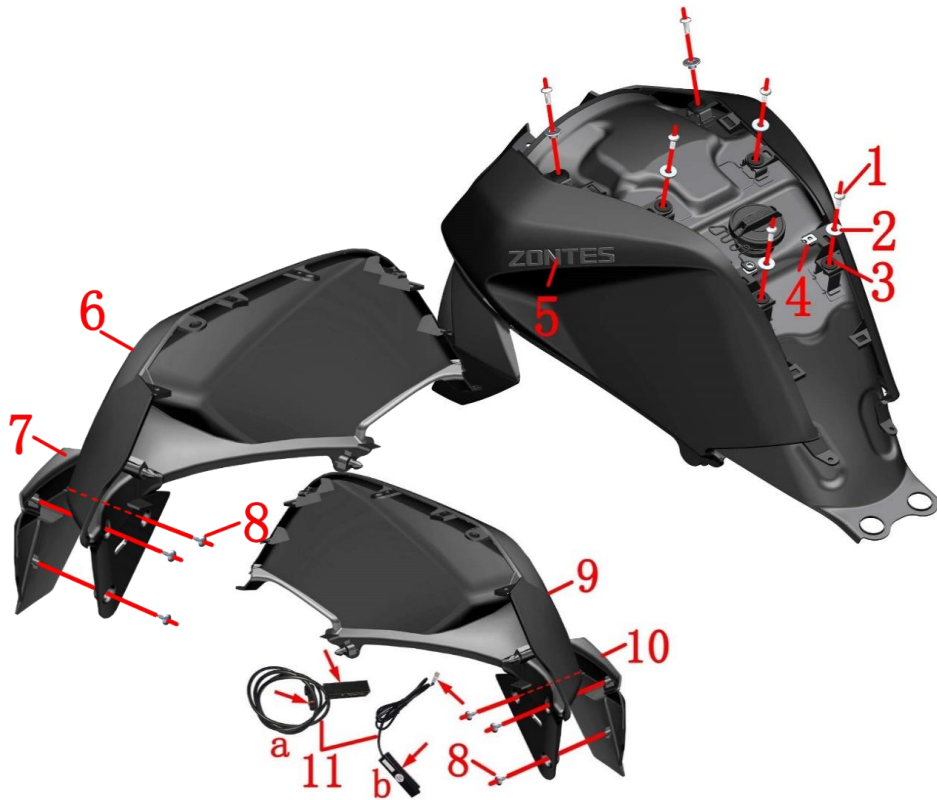


FIG.4 FUEL TANK COVER		Fuel tank left and right cover assembly	CHK	⚠
			ADJ	
NO.	PART NO.	PART NAME	QTY	CAUTION
1	1251100-102000	Non-standard bolt M6×16 (stainless steel)	6	
2	1274101-015000	ZT250-S flanging sleeve(φ6.4×φ9×6+φ20×2)(5 pcs/af)	6	
3	1244100-137000	ZT250-S Flanging bushing buffer(5 pcs/after-sale)	6	
4	1251300-063093	Plywood M6×11×15 (environmental color)	2	
5	1210141-001000	ZT250-S Fuel tank sticker	2	For after-sale
6	4044101-002036	ZT250-R right tank cover (electroplated bright gray highlight)	1	【1】
	4044101-002021	ZT250-R right tank cover (special black)		Special black
7	4044100-011036	ZT250-S fuel tank right decorative cover (electroplated bright gray highlight)	1	【1】
	4044100-011021	ZT250-S fuel tank right decorative cover (special black)		Special black
8	1251200-033093	Non-standard tapping screw ST4.2×12	6	
9	4044101-001036	ZT250-R left tank cover (electroplated bright gray highlight)	1	【1】
	4044101-001021	ZT250-R left tank cover (special black)		Special black
10	4044100-013036	ZT250-S fuel tank left decorative cover (electroplated bright gray highlight)	1	【1】
	4044100-013021	ZT250-S fuel tank left decorative cover (special black)		Special black
11	1184200-041000	310PKE external antenna (long)	1	Old
	1184200-053000	ZT310PKE external single antenna		New

## PROCEDURE:

## ● Fuel tank left and right cover assembly

Remove the bolt (1), bushing (2), buffer rubber (3) and plywood (4) with the hexagonal tool. Remove the fuel tank left and right cover assembly.

## ● Disassemble fuel tank left cover assembly

Remove the screw (8) with the hexagonal tool, remove the left side cover decorative cover (10), and the left Fuel tank cover (9).

## ● Disassemble fuel tank right cover assembly

Remove the screw (8) with the hexagonal tool, remove the right side cover decorative cover (7), and the left Fuel tank cover (6).

## ● PKE antenna

Remove the PKE external antenna from the upper part of the left cover of the fuel tank. Use a hot air gun to heat up a bit, remove the double-sided glue, and clean the residual glue.

## ● Fuel tank sticker

If the Fuel tank sticker needs to be replaced with a hot air gun or a hair dryer, it can be moved back and heated and then torn off. The fuel tank sticker can be purchased separately as an optional part. Crude fuel tank left and right Fuel tank covers already contain this sticker

## CAUTION:

- The paint surface should be protected when disassembling, pay attention to strength.
- The torque of the tapping screw should not be too large during reassembly to prevent damage to the Fuel tank cover.
- 【1】 use for bright orange /bright blue /dark bright gray vehicle.
- The old external antenna (long) is only used to replace the antenna after sales. If you need to replace the PKE system, you must purchase 1184200-053000 ZT310PKE external single antenna and 1184200-054000 ZT310 PKE controller (single antenna)

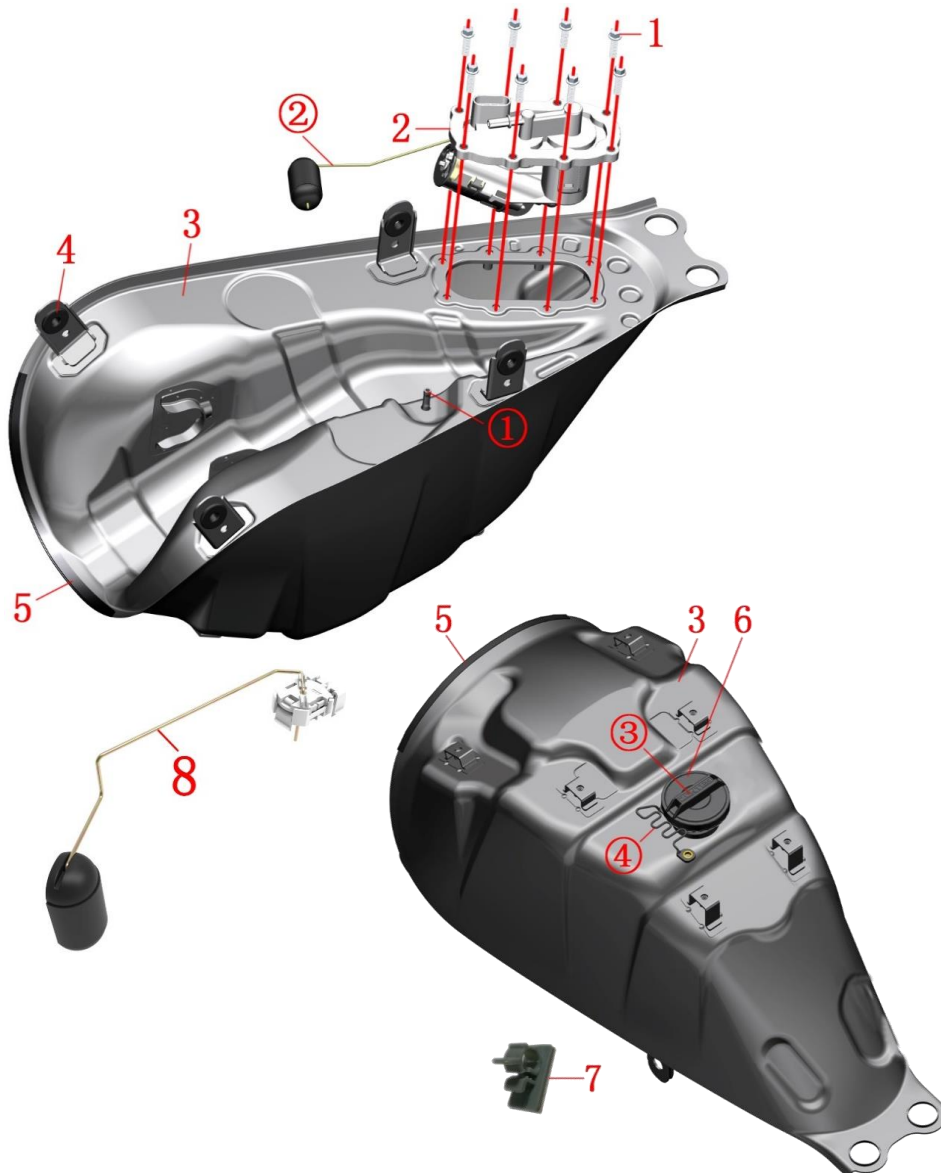


FIG.5 FUEL TANK INNER COVER		Fuel tank inner tank	CHK	CAUTION
NO.	PART NO.	PART NAME	ADJ	
1	1250105-137093	GB5789M6×16 (environmental color)	8	
2	1050953-020000	T02 built-in fuel pump	1	
3	4034100-006000	ZT250—R fuel tank liner	1	
4	1244100-138000	ZT250-S Side cover round rubber(5 pcs/after-sale)	4	
5	1240300-397021	HJ125-6 pod glass strip (1.5m)(after-sale)	0.17	
6	1224100-033000	ZT250—S thread cap of the fuel tank	1	
7	1224200-283000	ZT310PKE External antenna mount(after-sale)	1	
8	1164100-006000	T02 oil level sensor	1	

## PROCEDURE:

## ● Fuel pump

Place the tank inside the tank and place it firmly and remove the bolt (1) with the sleeve.

When the fuel pump(2) is removed, do not bend or bend the float rod(2) to prevent the oil output from being inaccurate.

## ● Side cover round rubber

Squeeze the side cover round the side of the glue (4) with your hand and squeeze it out of the tank.

## ● Plastic piece

Use your hand to tear off the tape (5) at the end of the tape.

## ● Fuel tank cap

Tighten it by hand (3) Remove the fuel tank cap by turning it counterclockwise (6), be careful not to pull the nylon rope (4)

## ● Fuel tank cap

After removing the antenna fixing block (7) from the inner container assembly, clean up the remaining glue.

## CAUTION:

● When disassembling the tank assembly, it is recommended that the fuel be pumped out by the fuel pump or consumed at first.

● Fireworks should be strictly prohibited in the vicinity of the motorcycle repair place, answering or dialing, etc. to prevent accidents

● Reverse the tank assembly. When removing the fuel pump, be sure to check whether the fuel tank cover has been tightened to prevent residual fuel from escaping from the tank port; there may be a small amount of fuel in the vent pipe (1) when the tank cover is removed.

● When reassembling the fuel pump, be sure to clean the joint surfaces of the clean fuel pump seal pad and the tank liner. When locking the bolt, ensure that the seal gasket is evenly deformed by staggering the position.

● It is forbidden to forcefully pull the cable when removing the timer lock.

● When assembling the fuel tank cap, pay attention to rotating (3) to the position shown in the figure. In other positions, it may interfere with the process clip of the fuel tank cover.

● T02 oil level sensor dose not contain fuel pump body. Make sure you have the ability to change it.



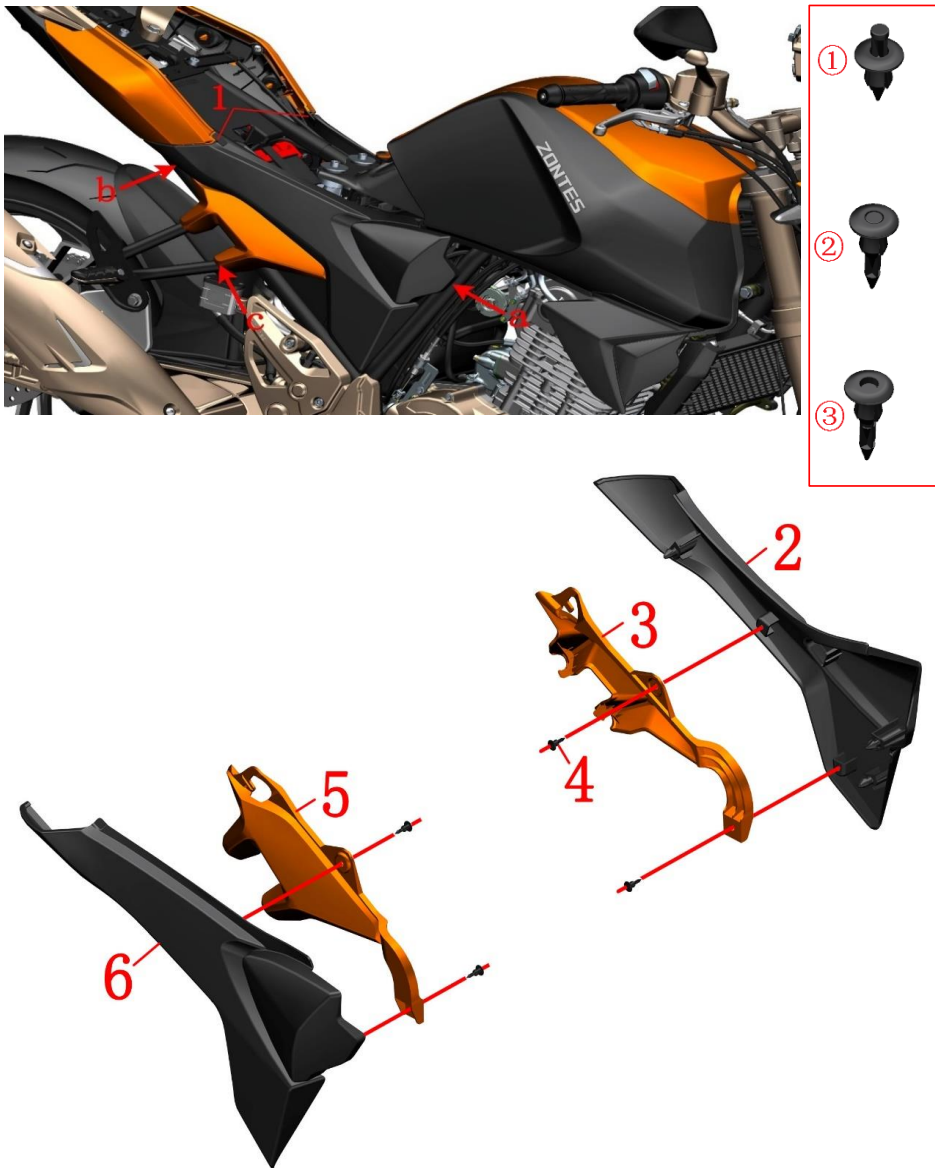



FIG.1 SIDE COVER COMPONENT		Side cover assembly	CHK	
NO.	PART NO.		ADJ	
1	1224100-024000	ZT250—S Plastic connection piece	2	
2	4044100-016036	ZT250—S left side cover (electroplated bright gray highlight)	1	special black
	4044100-016021	ZT250—S left side cover (special black)		
3	4044100-021033	Left side cover decorative cover (bright orange)	1	orange
	4044100-021064	Left side cover decorative cover (light blue)		blue
	4044100-021021	ZT250—S left side cover decorative cover (special)		gray
	4044100-021036	ZT250—S left side cover decorative cover (electroplated bright gray highlight)		special black
4	1224100-089000	ZT250-S Expansion nail(5 pcs/after-sale)	4	
5	4044100-020033	Right side cover decorative cover (bright orange)	1	orange
	4044100-020064	Right side cover decorative cover (light blue)		blue
	4044100-020021	ZT250—S right side cover decorative cover (special)		gray
	4044100-020036	ZT250—S right side cover decorative cover (electroplated bright gray highlight)		special black
6	4044100-014036	ZT250—S right side cover (electroplated bright gray highlight)	1	special black
	4044100-014021	ZT250—S right side cover (special black)		

**PROCEDURE:**

● Side cover assembly

Remove the plastic connection piece (1).

Press the a-end of the right side cover to pull out forcibly, then pull out the b-end, remove the right cover assembly; Similarly remove the left cover assembly.

Use a small cross screwdriver to press the center of the expansion nail down as shown in ③ and remove the expansion nail. ① is the unmounted state; ② is the assembled state; and ③ is the disassembled state.

Separate the side cover and the side cover decorative cover.

**CAUTION:**

● Make sure the motorcycle is fixed during the process of disassembly.

● Use force to pull outwards when removing the side cover assembly, do not pull it diagonally to prevent breaking the staple bolt.

● When assembling the side cover assembly, it should first install the b-end, then install the a-end, and then press c-end to attach the decorative cover to the frame pipe.

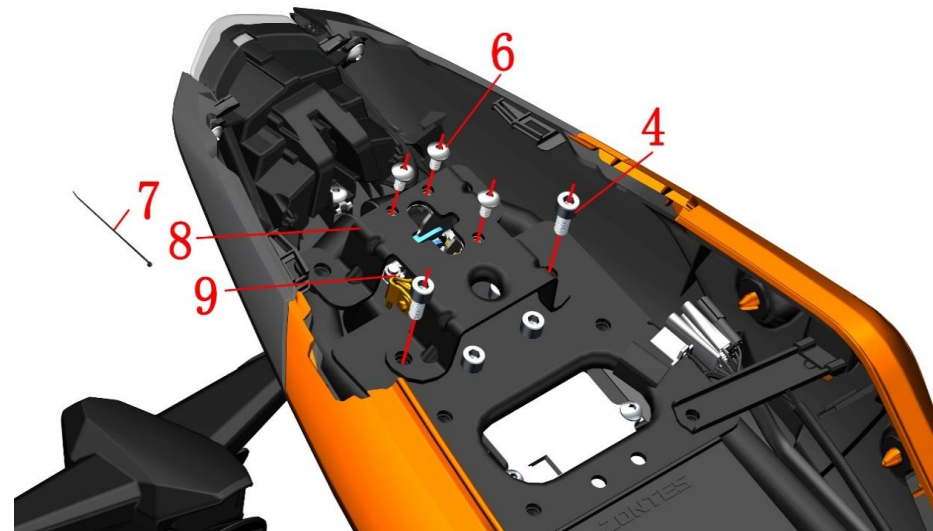
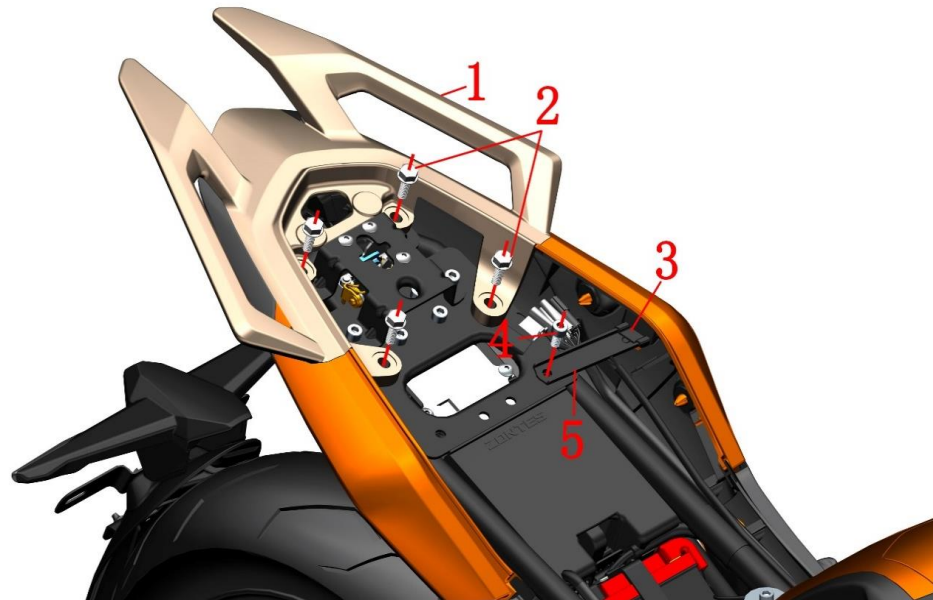


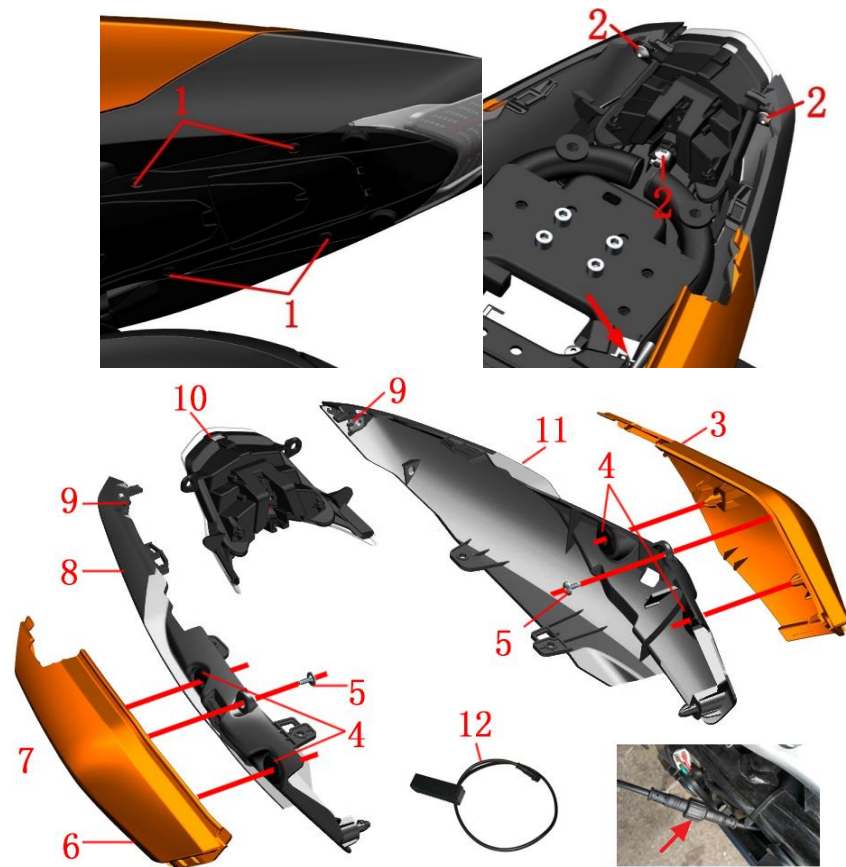
FIG.1 REAR COVER COMPONENT		Rear handrail、Cushion lock bracket	CHK	CAUTION
			ADJ	
NO.	PART NO.	PART NAME	QTY	
1	1144100-001000	ZT250—S Rear handrail	1	
2	1251100-123093	Non-standard bolt M8×25 (environmental color)	4	
3	1244100-065000	ZT250-S rear cover left limit rubber	1	
4	1250205-040095	GB70.1 inner hex bolt M8×16(color Zinc)	3	
5	1274100-075000	ZT250—S Rear cover left limit bracket	1	
6	1251100-101000	Non - standard bolt M6×12 (304 stainless steel)	3	
7	1224100-051000	Grade 0 flame retardant tie (black 2.5×100)	2	
8	1020241-229000	ZT250—R seat cushion lock bracket	1	
9	1274100-058000	ZT310 Electric seat lock	1	

## PROCEDURE:

- Rear handrail  
Remove the bolt (2) with the sleeve and remove the rear handrail (1).
- Rear cover left limit bracket  
Remove the bolt (4) in the upper left figure with the inner hexagon tool.  
Remove the left limit bracket (5) and remove the lower limit rubber (3) from the bracket.
- Cushion lock bracket  
Remove the 2 bolts (4), and lift the cushion lock assembly.  
Remove the 3 bolts (6), and separate the cushion lock (9) from the cushion lock bracket (8)  
Cut or remove the cable tie (7), find and remove the cable connector of the cushion lock (9)

## CAUTION:

- Make sure the motorcycle is fixed during the process of discomponent.
- In the process of discomponent, the material should be protected to prevent damage to the paint surface.



## PROCEDURE:

## ●Rear cover component

Remove the four expansion nails (1), remove the three bolts (2) with the hexagonal tool, and pull the front end of the rear cover off the frame.

Locate and unplug the cable connector of the rear taillight, grasp the rear taillight (10) and push the left tail skirt assembly back and take it off. Similarly, remove the right tail skirt assembly and remove the rear taillight (10). Separate the PKE short antenna head from the right tail skirt. Tear off the double-sided tape after heating it with a heat gun, and clean up the remaining adhesive. The PKE antenna is a Velcro + double-sided adhesive glued on the right tail skirt.

Remove the bolt (5) of the left rear cover assembly, and force the left trim cover (3) and the left rear cover (11) apart, remove the round rubber (4) and the plywood (9).

Similarly remove the right trim cover (6) and the right rear cover (8).

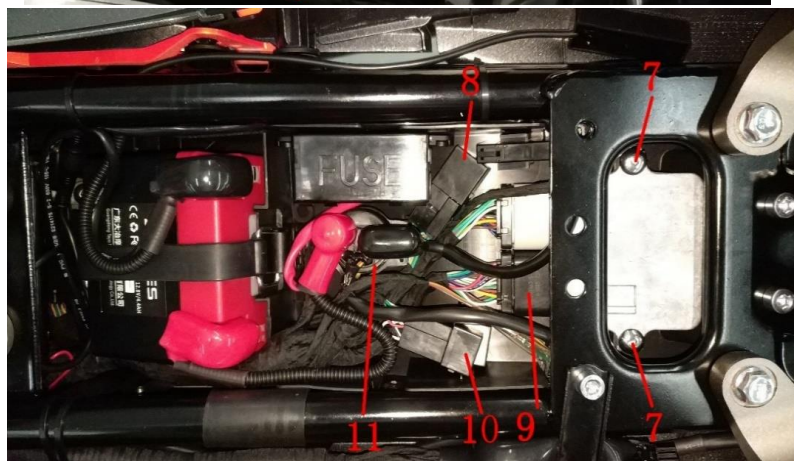
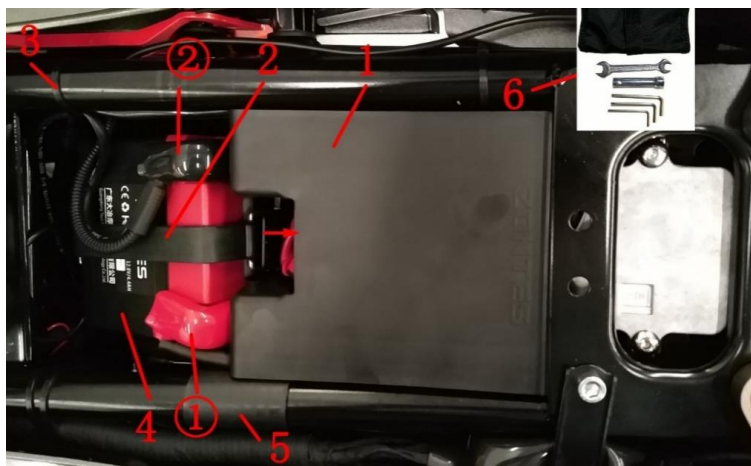
FIG.2 REAR COVER COMPONENT		Rear handrail、Cushion lock bracket	CHK	CAUTION
NO.	PART NO.	PART NAME	ADJ	
1	1224100-089000	ZT250-S Expansion nail(5 pcs/after-sale)	4	
2	1251100-101000	Non-standard bolt M6×12 (304 stainless steel)	3	
3	4044101-006033	Rear cover left trim cover (bright orange)	1	orange
	4044101-006064	Rear cover left trim cover (bright blue)	1	blue
	4044101-006021	ZT250—R rear left decorative cover (special black)	1	gray
	4044101-006036	Rear left decorative cover (electroplated bright gray highlights)	1	special black
4	1244100-138000	ZT250-S Side cover round rubber(5 pcs/after-sale)	4	
5	1251200-033093	Non-standard self-tapping screw ST4.2×12	2	
6	4044101-007033	ZT250—R right decorative cover of rear cover(bright orange)	1	orange
	4044101-007064	ZT250—R right decorative cover of of rear cover (bright blue)	1	blue
	4044101-007021	ZT250—R rear right decorative cover (special black)	1	gray
	4044101-007036	ZT250—R rear right decorative cover (electroplated bright gray highlights)	1	special black
7	1210341-001000	ZT250—R rear cover sticker(R250)	2	
8	4044100-001036	S rear right side cover(electroplated bright gray highlights)	1	【1】
	4044100-001021	ZT250—S rear cover right (special black)	1	special black
9	1251300-063093	Plywood M6×11×15 (environmental color)	2	
10	1174100-007000	ZT250—S rear tail light	1	
11	4044100-003036	S rear left side cover(electroplated bright gray highlights)	1	【2】
	4044100-003021	S rear left cover (special black)	1	special black
12	1184200-042000	310PKE external antenna (short )	1	【3】

## ●Sticker

The trim cover of rear cover already contains the rear cover stickers, if you need to replace it, you can buy another one on Zontes official website.

## CAUTION:

- Be sure to fix the motorcycle during discomponent.
- Pay attention to the discomponent process to avoid damaging the material.
- 【1】、【2】 are used for orange /bright blue/dark blue vehicle.



#### PROCEDURE:

##### ●Electrical device box cover

Pull the metal buckle of the electrical device box cover (1) in the direction of the arrow, pull it down, remove it.

##### ●Battery straps, vehicle tools

Remove the battery strap(2),then remove the vehicle tool(6).

##### ●Positive protective glue

Find the slotted part of the protective glue (5), use a tool to spread the slot.

FIG.3 REAR COVER COMPONENT		Battery、Electrical device box cover、ECU	CHK	CAUTION
NO.	PART NO.	PART NAME	ADJ	
1	1224100-052000	ZT250 - R electrical device cover	1	
2	1244100-072000	ZT250 - R Battery straps	1	
3	1224100-051000	Grade 0 flame retardant tie (black 2.5×100)	4	
4	1184100-116000	ZT250 lithium battery	1	
5	1240100-023000	Battery anode protection glue	1	
6	1274200-078000	ZT310—R bike tools	1	
7	1251100-102000	Non—standard bolt M6×16(304 stainless steel)	2	
8	1184200-024000	ZT310—R relay of side support	1	
9	1050953-026000	MT05.2 engine controller — ZT250—RC4 type	1	
10	1186001-018000	ZT250-S Four-pin Normally Open Relay(after-sale)	2	
11	1184300-002000	ZT350 Starting relay	1	

##### ●Battery

Cut the tie (3). Remove the black protective cap ②Remove the negative pole; then remove the red protective cap ①Remove the positive pole; Remove the lithium battery (4). When reinstalling, connect the positive pole first, then the negative pole. Be sure to use a dedicated lithium battery charger for charging. In the event of a power failure, it is strictly forbidden to bridge or directly connect to the power supply.

##### ●Relay

Pull out the starting relay(11)upwards, open the protective cap and loosen the nut to remove the relay; pull out the cables of the EFI relay (10) and the side bracket relay (8)and then pull out.

##### ●Engine Control Unit (ECU)

Remove the bolt(7), pull out the ECU(9)and the cable together, and then unplug the ECU plug.

##### ●Fuse box

Pull out the fuse box and cables together, then pinch both ends of the fuse box by hand and open the cover to replace the fuse.

##### CAUTION:

●Attention should be paid to the discomponent process to avoid damaging the material. Attention must be paid to the installation sequence when removing the battery.

●The battery voltage should be checked regularly. If it is lower than 12.8V, it is recommended to charge it in time; it must not be overcharged; it should be taken out of storage for a long time without being used, and it should be charged once a month.

●Reassemble the battery or fuse, etc. Remember to remember to reset the EFI hardware: Turn on the key-Ignition- 10 seconds After the ignition is turned off - After 10 seconds Turn on the ignition switch and repeat 2 times.

●If the battery has reached the end of its useful life, it should be handed over to a qualified organization or a dedicated recycling center for proper disposal. Discard it at will.

●EFI relay model: KH-1A4T. Side bracket relay model: G8HN-1C4T-RJ.



FIG.4 REAR COVER COMPONENT		Rear mudguard bracket component		CHK	CAUTION
				ADJ	
NO.	PART NO.	PART NAME		QTY	
1	1224100-054000	ZT250 - R electric component box lower cover		1	
2	1244100-078000	ZT250 - R rear rubber of electri box rubber		1	
3	1224200-040000	ZT310 Electric parts box lower cover		1	
4	1251100-101000	Non - standard bolt M6×12 (304 stainless steel)		4	
5	1274100-155095	Flanged bushing φ6.2×φ8.4×3.5+φ14×1.5(5 pcs/after-		2	
6	1241200-124021	flanging bushing buffer rubber (φ8.5×φ14×1)(5 pcs/af		2	
7	1186800-177000	ZT703-F PKE Buzzer (4KHZ)(after-sale)		1	

**PROCEDURE:**

- Electrical component box assembly
- Push the buckle in the direction of the arrow to remove the lower cover of the ZT250-R electrical component box (1) and the lower cover of the ZT310 electrical component box (3).
- Pull down in the direction of the arrow to remove the back glue of the electrical device box (2)
- Remove the bolts (4) on the left and right sides of the middle of the electrical device box, and remove the bushing (5) and the rubber pad (6)
- Remove the bolts on the left and right sides of the front of the electrical component box(4).
- Find and unplug the buzzer plug, heat it back and forth with a heat gun, and then remove the PKE buzzer (7).
- Clean up residual offset printing

**CAUTION:**

- Attention to prevent damage to the buckle when removing the cover of the electrical device box.
- If you need to replace the PKE fuse, you can directly replace the lower cover (3)of the electrical device box to replace it.

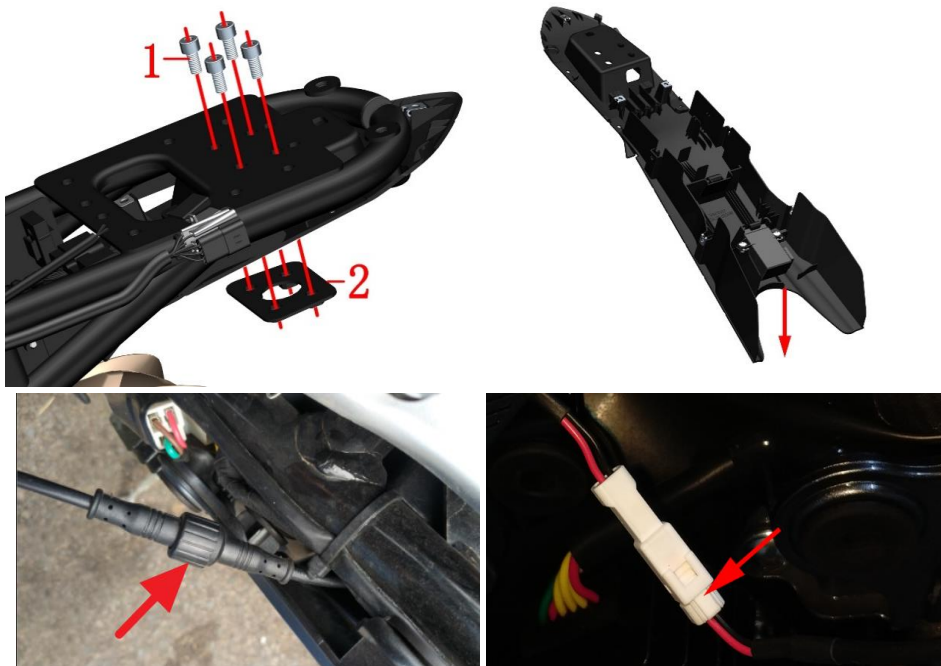


FIG.5 REAR COVER COMPONENT		Rear mudguard bracket component		CHK	⚠
				ADJ	
NO.	PART NO.	PART NAME	QTY	CAUTION	
1	1250205-040095	GB70.1 inner hex bolt M8×16(color Zinc)	4		
2	1274100-101021	ZT250-R electric component box mounting board	1		
3	1184200-041000	310PKE external antenna (long)	1	Old	
	1184200-053000	ZT310PKE external single antenna		New	

PROCEDURE:

● Electrical device box component

Locate the PKE external antenna (3) cable connector on the left side of the vehicle ,In the old state, find the connectors ③ and ④ of the PKE antenna, unscrew the nut and pull it out. The connector ③ connects the short antenna; the connector ④ connects the long antenna. Unplug the connector in the new state ⑤.

Grasp the electrical component box mounting plate (2) with one hand, and remove the bolt (1) with the other hand

Hold the rear part of the electrical component box assembly with one hand, grasp the front part and pull down with the other hand. Unplug the cable connectors ① and ② of PKE, and remove the electrical device box assembly



ZT310 PKE Controller

ZT310 PKE Controller (single antenna)

ZT310 PKE Controller (bracelet edition)

CAUTION:

- Do not pull the cable directly when unplugging it.
- If you need to replace the PKE fuse, you can directly replace the lower cover of the electrical device box to replace it.
- For the disassembly and assembly of the PKE long antenna, refer to the previous "fuel tank left and right cover components" and the short antenna refer to the "tail skirt and tail light components"
- When reassembling the connector ②, first check whether the metal contact piece inside is bent, and straighten it if necessary. Make sure that all cable connectors are installed in place, otherwise it may cause poor contact and cause malfunctions
- If the old dual-antenna PKE controller needs to be replaced with a single-antenna version or a bracelet version, you need to purchase "1184200-053000 ZT310PKE external single antenna".



FIG.6 REAR COVER COMPONENT		Electrical device box component	CHK	CAUTION
NO.	PART NO.	PART NAME	ADJ	
1	1224200-092053	ZT250 - R Electrical Device Box (PKE)	1	
2	1244100-079000	ZT250 - R left electric device box rubber	1	
3	1251100-102000	Non - standard bolt M6×16(304 stainless steel)	2	
4	1184200-007000	ZT310 PKE Controller	1	Stop selling
	1184200-054000	ZT310 PKE controller (single antenna)		Bracelet edition
	1184200-137000	ZT310 PKE new version (band version )		
5	1251300-063093	Plywood M6×11×15(color zinc)	7	
6	1244100-080000	ZT250 - R right electrical device box rubber	1	
7	1184100-080000	ZT250—S fuze wire (15A)	1	For after-sale
8	1184200-043000	ZT310 PKE key decorative part	1	
9	1184200-244000	ZT310 univsersal fuse (15A small)(5 pcs/after-sale)	2	Bracelet edition
10	1244200-204000	ZT310 induction key rubber ring(after-sale)	1	after-sale

PROCEDURE:

- PKE controller  
Remove the bolt(3)and remove the PKE controller(4).
- Electrical device box component  
Remove 7 pieces of plywood nuts(5) from the electrical component box(1).  
Remove the battery pad left glue(2) and right glue(6).
- Fuses  
Unplug the fuse(4)and check if it is blown. If it has blown, replace the fuse of the same specification.The dual antenna and the single antenna PKE controller used medium 15A fuses.  
The bracelet edition PKE controller used 2pcs small fuses.

CAUTION:

- When inserting or removing the fuse, pay attention to the vertical alignment and then disassemble it. Do not bend it. Use a qualified fuse.
- PKE cables need to be protected. Non-professionals are strictly prohibited from dismantling the PKE system components, as this may cause permanent damage.
- Please refer to the driving manual for details on the use of PKE.
- ZT310 PKE key shell (containing key glue+key ring) just for after-sale to change the shell,no internal electrical appliances.
- The single-antenna version and the dual-antenna version are not universal, so please pay attention to the distinction. If you need to replace the old dual-antenna version of the PKE, you need to purchase 1184200-053000 ZT310PKE external single antenna at the same time
- The single antenna PKE controller has been stop selling, it can be replaced by bracelet edition.

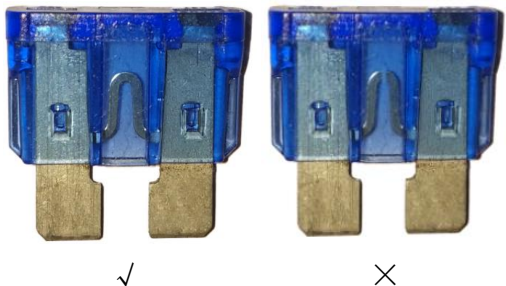

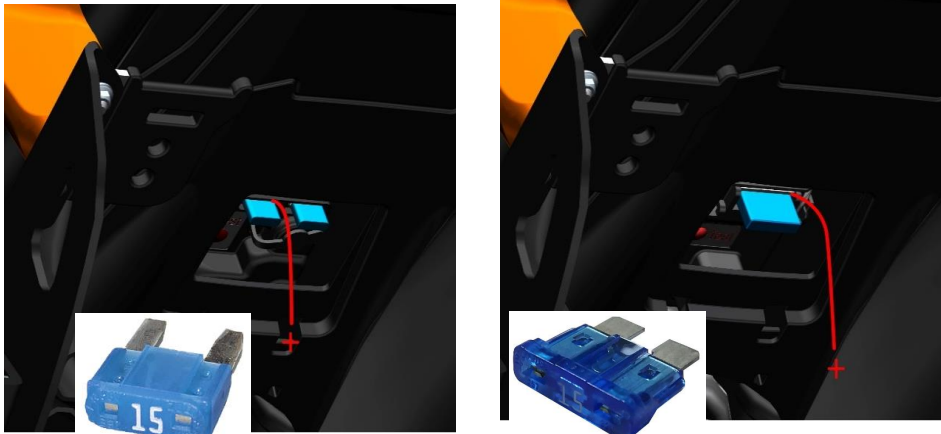


FIG.7 REAR COVER COMPONENT	External battery start PKE system	CHK	
		ADJ	




ZT310 PKE Controller  
(bracelet edition)

ZT310 PKE Controller (single antenna )  
ZT310 PKE Controller



PROCEDURE:

- Emergency handling method after the battery is destroyed or the battery is exhausted for too long:  
Find a 15A fuse and wind a wire around any one of the fuses as shown in the left side.  
Remove the lower cover of the electrical device box; insert the previously made wire into the right side of the PKE fuse slot.  
Find a battery with sufficient power and connect the previously made wire to the positive side of the battery.  
Find one end of the wire attached to the frame (the bolt is directly connected to the frame) and the other end to the negative pole of the battery.  
After connecting the wires, check that the wires are fixed and short press the unlock button "  " to turn on the PKE system.Disable pressing the ignition button at this time.

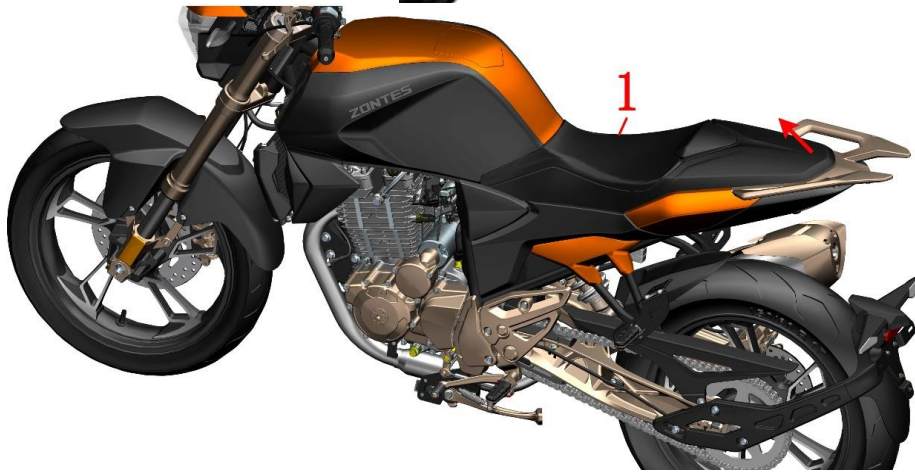


FIG.1 CUSHION COMPONENT		CUSHION COMPONENT	CHK	CAUTION
NO.	PART NO.	PART NAME	ADJ	
1	1204100-006000	ZT250-R Cushion	1	one set
2	1244100-024000	ZT250-R Cushion front rubber	2	for after-sale
3	1244100-022000	ZT250-R Cushion rubber	2	
4	1244100-025000	ZT250-R Cushion circle rubber	4	

#### PROCEDURE:

##### ● Seperate cushion

Insert the key in the "OFF" position ,counterclockwise until the sound indicates that the cushion lock is open. Tap the back of the cushion if there is no sound.

Hold the rear cushion in the direction of the arrowhead, while remove the cushion from left and right swing cushion.

##### ● Install cushion

When assembling the cushion, first check whether all the cushion glue is complete, insert the front of the cushion first, and then make a hard clap at the end of the cushion,,when heard "kaca",the cushion lock is in place.

##### ● Cushion rubber,lock plate component for individual sales

If the cushion glue is worn or the cushion lock damaged too much, you can buy the genuine article on the website.

The corresponding installation location is shown in the lower left image.

#### CAUTION:

- The motorcycle should be fixed and then operated.
- The cushion contains all the cushion glue and lock pieces and bolts.
- It is easy to be surprised when the cushion is not in place.

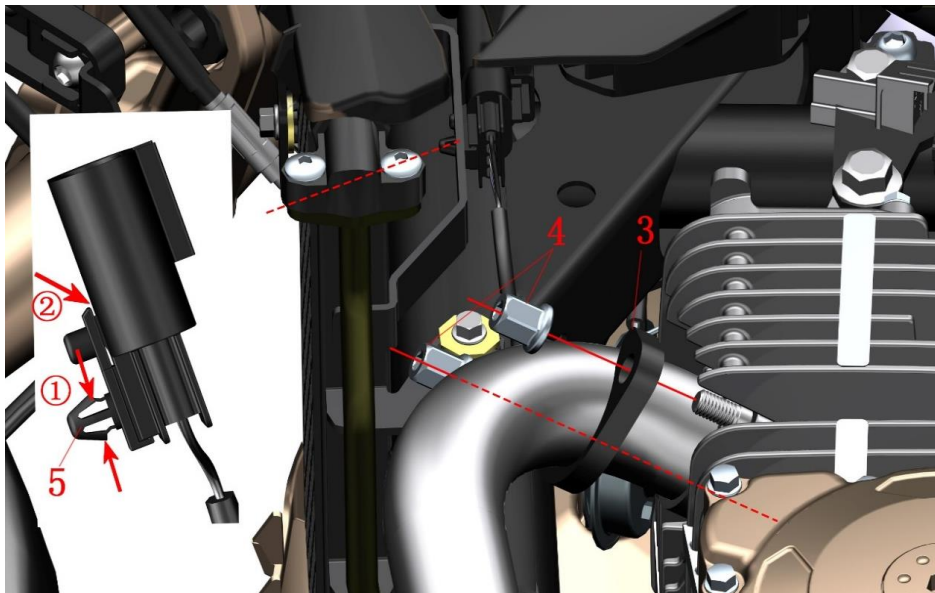
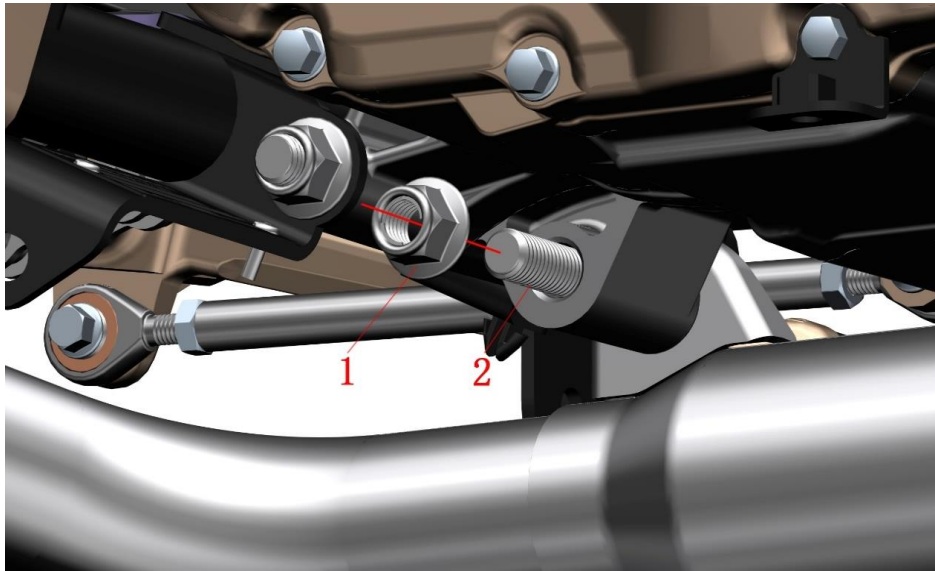



FIG.1 MUFFLER COMPONENT		Remove muffler 1	CHK	
NO.	PART NO.		PART NAME	
1	1251300-057093	Non—standard nut M10×1.5(dacromet)	1	
2	1251100-084093	Non—standard bolts M10×1.5×63(dacromet)	1	
3	1020265-155000	ZT250-S muffler flange (outsourcing)	1	
4	1251300-058093	Hexagon nut M8 (color zinc)	2	
5	1224100-013000	ZT250—S Oxygen sensor fixing buckle	1	

#### PROCEDURE:

##### ● Muffler parts

Fix the motorcycle, use the sleeve to fix the head of the bolt (2) while using the sleeve to remove the nut (1). Please don't remove the bolt (2).

##### ● Oxygen sensor fixing buckle

Use pliers to clamp the rear radiator bracket slightly and pull out the cable clip (5) in the direction shown in ①. Separate the oxygen sensor connector from the main harness. Then use the small straight screwdriver to insert the direction as the arrow ② and remove the cable clip (5) from the oxygen sensor cable connector.

##### ● Flange of muffler

Remove the nut (4) with the inner hexagon tool and then remove the flange (3).

#### CAUTION:

● In the process of disassembly, the motorcycle should be properly supported to prevent accident caused by incline.

● Make sure the muffler and engine are completely cooled before removing the muffler.

● In the process of disassembly, it should be careful to avoid damaging the material.

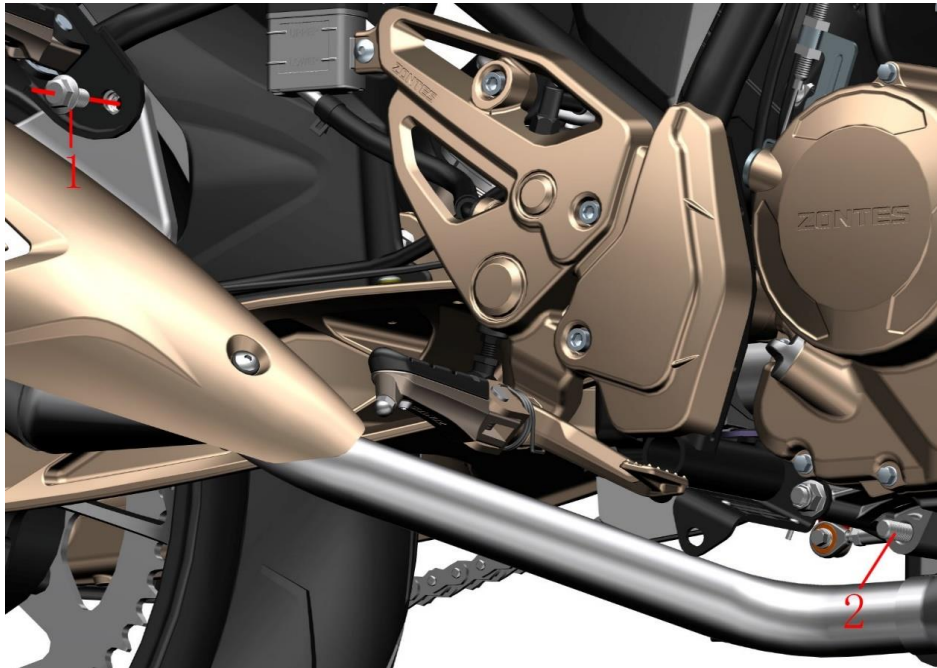


FIG.2 MUFFLER COMPONENT		Remove muffler 2	CHK	
NO.	PART NO.		ADJ	
1	1251100-082093	Non-standard bolts M10×1.5×20(dacromet)	1	
2	1251100-084093	Non-standard bolts M10×1.5×63(dacromet)	1	
3	1070100-133000	ZT250-S Engine exhaust port gasket	1	

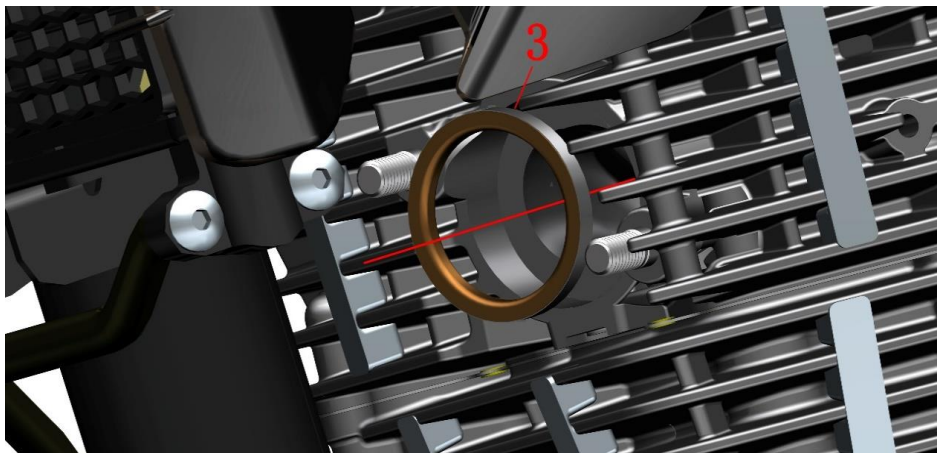
**PROCEDURE:**

## ● Muffler component

Fix the motorcycle, use the sleeve to remove the bolt (1) by holding the muffler tail part with hands, then remove the bolt (2) from the engine while holding the muffler COMPONENT. Remove the muffler from the motorcycle.

## ● Gasket

Remove the gasket (3) from the exhaust port of the engine.

**CAUTION:**

- In the process of disassembly, the motorcycle should be properly supported to prevent accident caused by incline.
- Make sure the muffler and engine are completely cooled before removing the muffler.
- In the process of disassembly, it should be careful to avoid damaging the material, It is recommended to replace the new gasket to prevent air leakage every time the muffler COMPONENT is removed.

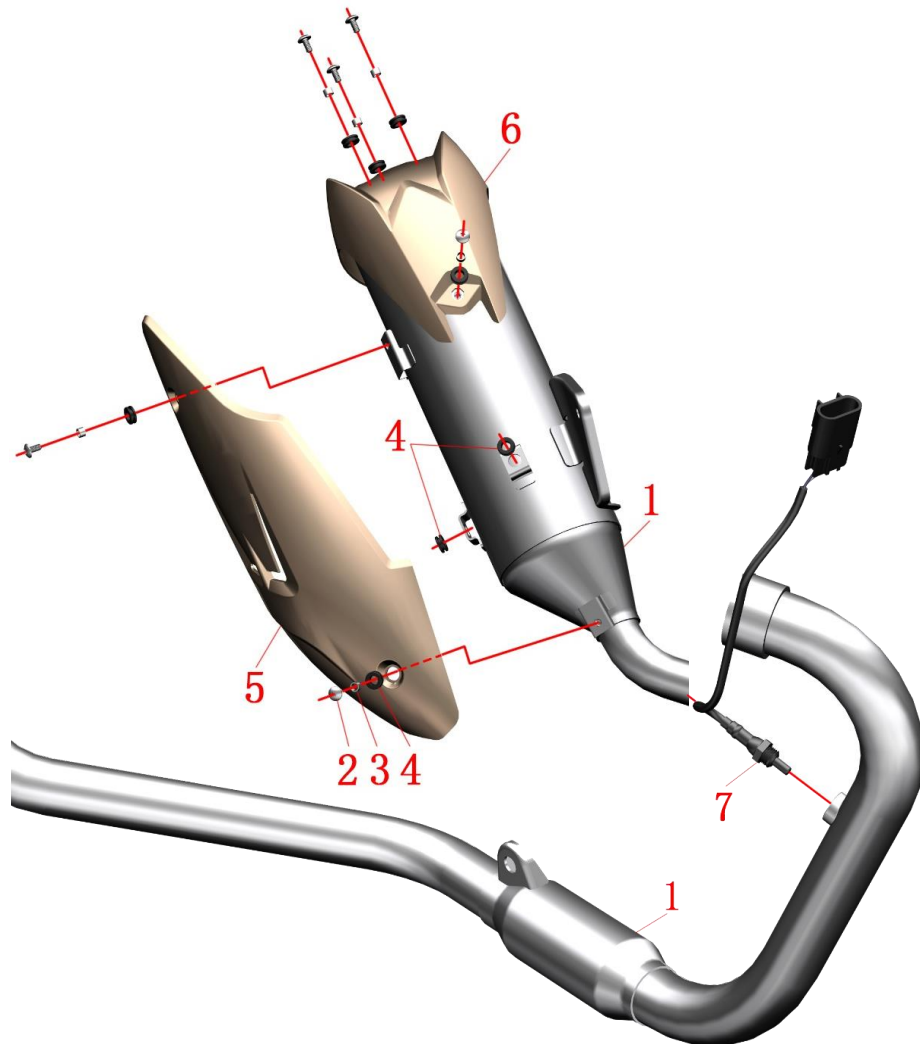


FIG.3 MUFFLER COMPONENT		Muffler component	CHK	CAUTION
NO.	PART NO.	PART NAME	ADJ	
1	1124100-018000	ZT250-R muffler (homemade / national IV)	1	inland
	1124100-015000	ZT250-R muffler (home-made /Euro IV)		way out
2	1251100-101000	Non-standard bolt M6×12 (304 stainless steel)	6	
3	1274100-018000	ZT250-S Muffler anti-hot plate bushing	6	
4	1246400-317000	ZT368T-G muffler hot plate rubber buffer(5 pcs/after-s)	8	
5	1224100-028000	ZT250-S Muffler anti-hot plate	1	
6	1224100-029000	ZT250-S Muffler tail cover	1	
7	1050953-008000	OSM planar oxygen sensor 25322728	1	

## PROCEDURE:

- Oxygen sensor  
Remove the oxygen sensor (7) with the open spanner.
- Anti-hot plate、 Tail cover  
Use the inner hexagonal tool to remove bolt (2), then remove the anti-hot plate (5) and tail cover (6), after that, remove the bushing (3) and rubber buffer (4).

## CAUTION:

- Make sure the muffler is completely cooled before operation.
- In the process of disassembly, it should be careful to avoid damaging the material.

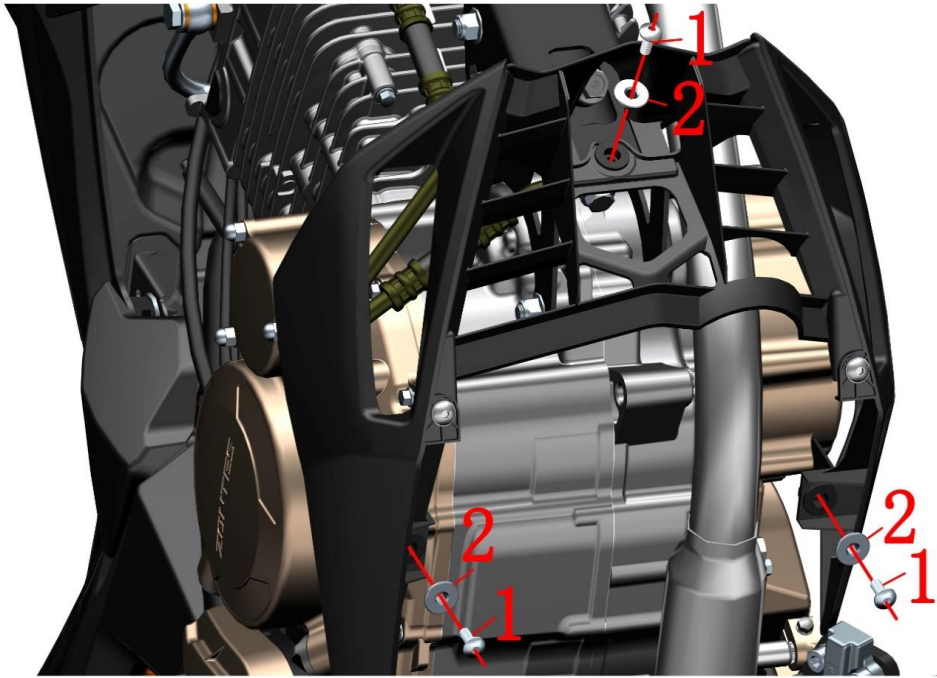


FIG.1 LOWER WIND DEFLECTOR COMPONE		Lower air guide sleeve component-1	CHK	
			ADJ	
NO.	PART NO.	PART NAME	QTY	CAUTION
1	1251100-102000	Non-standard bolt M6×16 (304 stainless steel)	3	
2	1274101-015000	ZT250-S flanging sleeve( $\phi 6.4 \times \phi 9 \times 6 + \phi 20 \times 2$ )(5 pcs/after-sale)	3	

## PROCEDURE:

## ● Lower air guide sleeve component

Lift the motorcycle with tools and remove the bolt <sup>(1)</sup> and flanged bushing <sup>(2)</sup> with an inner hexagonal tool.

## CAUTION:

- In the process of disassembly, the motorcycle should be properly supported to prevent accident caused by incline.
- In the process of disassembly, the lower fairing should be held to prevent fracture caused by unevenly stressed.

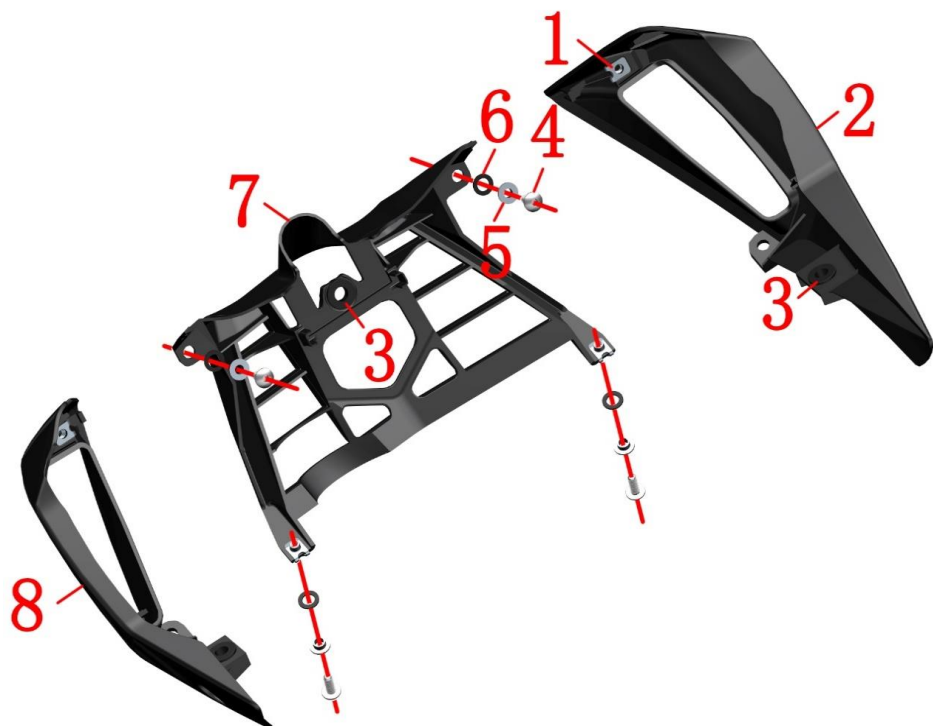


FIG.2 LOWER WIND DEFLECTOR COMPONE		Lower air guide sleeve component-2	CHK	⚠
			ADJ	
NO.	PART NO.	PART NAME	QTY	CAUTION
1	1251300-063093	Plywood M6×11×15(environmental color)	4	
2	4044100-008036	ZT250—S lower right guide guide cover (electroplated bright gray highlight)	1	
	4044100-008021	ZT250—S lower guide cover right (special black)		special black
3	1244100-137000	ZT250-S Flanging bushing buffer(5 pcs/after-sale)	3	
4	1251100-102000	Non-standard bolt M6×16 (304 stainless steel)	7	
5	1274100-155095	Flanged bushing φ6.2×φ8.4×3.5+φ14×1.5(5 pcs/after-	4	
6	1241200-124021	flanging bushing buffer rubber (φ8.5×φ14×1)(5 pcs/af	4	
7	1224100-050000	ZT250—R Middle part of lower fairing	1	
8	4044100-009036	ZT250—S lower guide cover left (electroplated bright gray highlight)	1	
	4044100-009021	ZT250—S lower guide cover left (special black)		special black

## PROCEDURE:

## ●Lower fairing assembly

Remove the bolt (4) with an inner hexagonal tool and remove the flanged bushing (5) and flanged bushing buffer (6).

Separate lower fairing assembly into three parts.

## ●Left part of lower fairing

Remove the plywood nut (1) and the flanged bushing buffer (3) from the left part of fairing (8).

## ●Right part of fairing

Remove the plywood nut (1) and the flanged bushing buffer (3) from the right part of fairing (2).

## ●Middle part of fairing

Remove the plywood nut (1) and the flanged bushing buffer (3) from the middle part of fairing (7).

## CAUTION:

●In the process of disassembly, the fairing should be protected to prevent fracture caused by unevenly stressed or surface scratch.