



ZT250-R (EURO/IV)

service manual



CONTENTS

Table of Contents

Page

| | | |
|----------|--|----|
| 0 | Table of Contents | 1 |
| 1 | FRAME&ELECTRONIC COMPONENT | |
| 1.1 | Electronic parts component-1..... Main wire harnessk, Dump switch, Relay, Flasher, Rectifier, Ignition coil | 6 |
| 1.2 | Electronic parts component-2..... Shut-off switch, Horn | 7 |
| 1.3 | Frame plastic parts..... Tuck loop, side cover circle rubber cushion, inner fuel tank fix rubber cushion | 8 |
| 1.4 | Steering rack component..... Down connected plate | 9 |
| 1.5 | Frame, Side support, the operation of releasing engine oil..... Side support, Frame drain bolt assembly | 10 |
| 1.6 | Rear pedal component..... Rear pedal component | 11 |
| 2 | FRAME&ENGINE COMPONENT | |
| 2.1 | Frame&engine component..... Hanging piece, Bracket, Sprocket cover | 12 |
| 3 | INDUCTION SYSTEM COMPONENT | |
| 3.1 | Induction system component..... Throttle body module, Air filter, Oil pipe | 13 |
| 3.2 | Carbon Tank component..... Carbon Tank , Carbon Tank solenoid valve | 14 |
| 3.3 | Replace the air filter element..... | 15 |
| 4 | REAR FORKLIFT COMPONENT | |
| 4.1 | Rear sub mudguard component 1..... Dismantled rear sub mudguard component | 16 |
| 4.2 | Rear sub mudguard component 2..... Sub-mud holder component after discomponent | 17 |
| 4.3 | Rear sub mudguard component 3..... | 18 |

CONTENTS

| Table of Contents | Page |
|---|------|
| Sub-mud component after discomponent | |
| 4.4 Rear turn signal after sale parts..... | 19 |
| Rear left and right turn signals and rear license plate lights for sale | |
| 4.5 Rear mud board..... | 20 |
| 4.6 Rear shock absorption..... | 21 |
| Demolition after shock absorption, rear shock absorption adjustment | |
| 4.7 Rear wheel component 1..... | 22 |
| Remove the rear rim component, sprocket seat, sprocket | |
| 4.8 Rear wheel component 2..... | 23 |
| Decomposed rear rim component | |
| 4.9 Rear fork component..... | 24 |
| Decomposed flat fork component | |
| 4.10 Replace the rear brake pads..... | 25 |
| 4.11 Rear brake main pump adds brake fluid..... | 26 |
| 5 PEDAL COMPONENT | |
| 5.1 Pedal height adjustment..... | 27 |
| Shift lever, brake pedal height adjustment | |
| 5.2 Right pedal support component-1..... | 28 |
| Dismantled right pedel support componet | |
| 5.3 Right pedal support component-2..... | 29 |
| Dismantled the right pedel support componet | |
| 5.4 Left pedal support component-1..... | 30 |
| Dismantled left pedel support componet | |
| 5.5 Left pedal support component-2..... | 31 |
| Dismantled the left pedel support componet | |
| 6 RADIATOR SYSTEM COMPONENT | |
| 6.1 Release the engine oil..... | 32 |
| 6.2 The oil pipe near the frame..... | 33 |
| Dismantled the oil pipe near the frame | |
| 6.3 Radiator component-1..... | 34 |
| Dismantled the radiaor component | |
| 6.4 Radiator component-2..... | 35 |

CONTENTS

| Table of Contents | Page |
|--|------|
| Decomposition of the radiator component | |
| 7 FRONT FORK COMPONENT | |
| 7.1 Throttle/clutch cable clearance adjustment..... Adjust the throttle line, clutch cable free travel | 36 |
| 7.2 Replacement clutch cable..... | 37 |
| 7.3 Replace the throttle line..... | 38 |
| 7.4 Steering adjustment..... Adjust steering device | 39 |
| 7.5 Add brake fluid,adjust the swing arm..... Add brake fluid,adjust the brake swing arm | 40 |
| 7.6 Replace front brake block..... | 41 |
| 7.7 Meter function description..... | 42 |
| 7.8 Front tire component..... Dismantled the front tire component | 43 |
| 7.9 Front tire wheel speed sensor component..... Dismantled the front tire wheel speed sensor component | 44 |
| 7.10 Head parts component-1..... Dismantled head parts component | 45 |
| 7.11 Head parts component-2..... Dismantled the front turning light and head light rear cover | 46 |
| 7.12 Head cover upper parts component..... | 47 |
| 7.13 Head light component | 48 |
| 7.14 Meter component..... Remove the instrument and instrument support | 49 |
| 7.15 Left handle component..... Remove rear left view mirror、 Left hand rubber sleeve、 Left hand rocker、 Left switch | 50 |
| 7.16 Right hand component..... Remove right rear view mirror, right hand rubber sleeve, balance block | 51 |
| 7.17 Handle bar ,upper connected plate component..... Decomposition direction handle, pressure block, upper link plate, combination lock, front left and right shock absorption | 52 |
| 7.18 Uplink plate, direction handle block component..... Disassemble the direction of the block, the upper plate | 53 |
| 7.19 ABS brake system-1..... | 54 |

CONTENTS

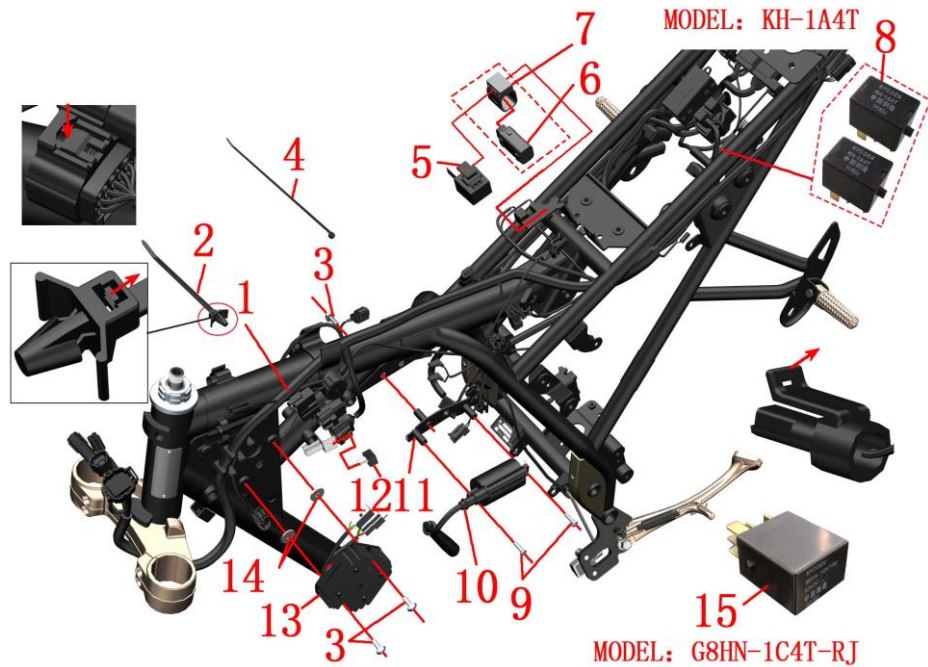
| Table of Contents | Page |
|---|------|
| Dismantled the front brake calipers and ABS protection cover | |
| 7.20 ABS brake system-2..... | 55 |
| Dismantled the ABS control system component and the main pumb of disc brake | |
| 7.21 ABS brake system-3..... | 56 |
| Dismantled the rear brake calipers and discomposed the ABS control system component | |
| 8 8、 FUEL TANK COMPONENT | |
| 8.1 Inner fuel tank component..... | 57 |
| Dismantled inner fuel tank component and cushion fixed block | |
| 8.2 Fuel tank middle cover assembly..... | 58 |
| Dismantled Fuel tank middle cover assembly | |
| 8.3 Fuel tank middle cover、 Fuel tank cover、 Fuel tank lock..... | 59 |
| Dismantled Fuel tank middle cover、 Fuel tank cover、 Fuel tank lock | |
| 8.4 Fuel tank left and right cover assembly..... | 60 |
| Dismantled Fuel tank left and right cover assembly | |
| 8.5 Inner fuel tank..... | 61 |
| Dismantled inner fuel tank and fuel pump | |
| 9 SIDE COVER COMPONENT | |
| 9.1 SIDE COVER COMPONENT..... | 62 |
| Dismantled SIDE COVER COMPONENT | |
| 10 REAR COVER、 REAR MUDGUARD、 ELECTRICAL DEVICE BOX COMPONENT | |
| 10.1 Rear handrail、 Cushion lock bracket..... | 63 |
| Dismantled Rear handrail、 Cushion lock bracket、 Rear cover left limit bracket | |
| 10.2 Rear cover、 Tail light assembly..... | 64 |
| Dismantled Rear cover、 Tail light assembly | |
| 10.3 Battery、 Electrical device box cover、 ECU..... | 65 |
| Dismantled Battery、 Electrical device box cover、 ECU、 Motorcycle tool | |
| 10.4 Electrical device box assembly..... | 66 |
| Dismantled Electrical device box assembly | |
| 10.5 Electrical component box component 1..... | 67 |

CONTENTS

| Table of Contents | Page |
|--|------|
| Disassembled device box component, electric device box lower cover | |
| 10.6 Electrical component box component 2..... | 68 |
| Remove PKE, electrical box | |
| 10.7 External battery to start PKE system..... | 69 |
| Emergency method to turn on PKE after battery power is exhausted | |
| 11 CUSHION COMPONENT | |
| 11.1 Cushion..... | 70 |
| Dismantled cushion and cushion rubber (Buy by separated) | |
| 12 MUFFLER COMPONENT | |
| 12.1 Dismantled mulffer1..... | 71 |
| Dismantled muffler flange | |
| 12.2 Dismantled mulffer 2..... | 72 |
| Dismantled muffler component | |
| 12.3 Mulffer component..... | 73 |
| Dismantled muffler component | |
| 13 LOWER WIND DEFLECTOR COMPONENT | |
| 13.1 Lower wind deflector component-1..... | 74 |
| Dismantled lower wind deflector component | |
| 13.2 Lower wind deflector component-2..... | 75 |
| Dismantled lower wind deflector component | |

All the information, illustrations and photographs collected in this manual are compiled according to the latest products. However, there may be some inconsistencies between your motorcycle and this manual due to the continuous improvement of the product and other changes.

©Guangdong Tayo Motorcycle Technolog Co.
Ltd All rights reserve

**PROCEDURE:**

● Main harness

Different plug-in methods are different, please unplug all the electrical components connected to the main thread according to the actual operation. It needs to use a word screwdriver, forceps, scissors and other tools to assist. The binding (2)、(4) can be picked out by using scissors. It is recommended to cut the strap directly with scissors and replace the material with the same specifications on the official website.

● Flasher and dump switch

Remove the rubber sleeve (7) that connects the flasher (5) to the mounting bracket on the frame, and remove the dump switch with the same method, then separate the dump switch (6).

● Relay&head light diode

Pull out the electric injection relay(8), large lamp diode(12) and the side stand relay(15)。

● Ignition coil &support

Remove the crosshead bolts (9) with a cross screwdriver and remove the ignition coil. Remove the bolt (3) with 10# sleeve and remove the ignition coil support (11).

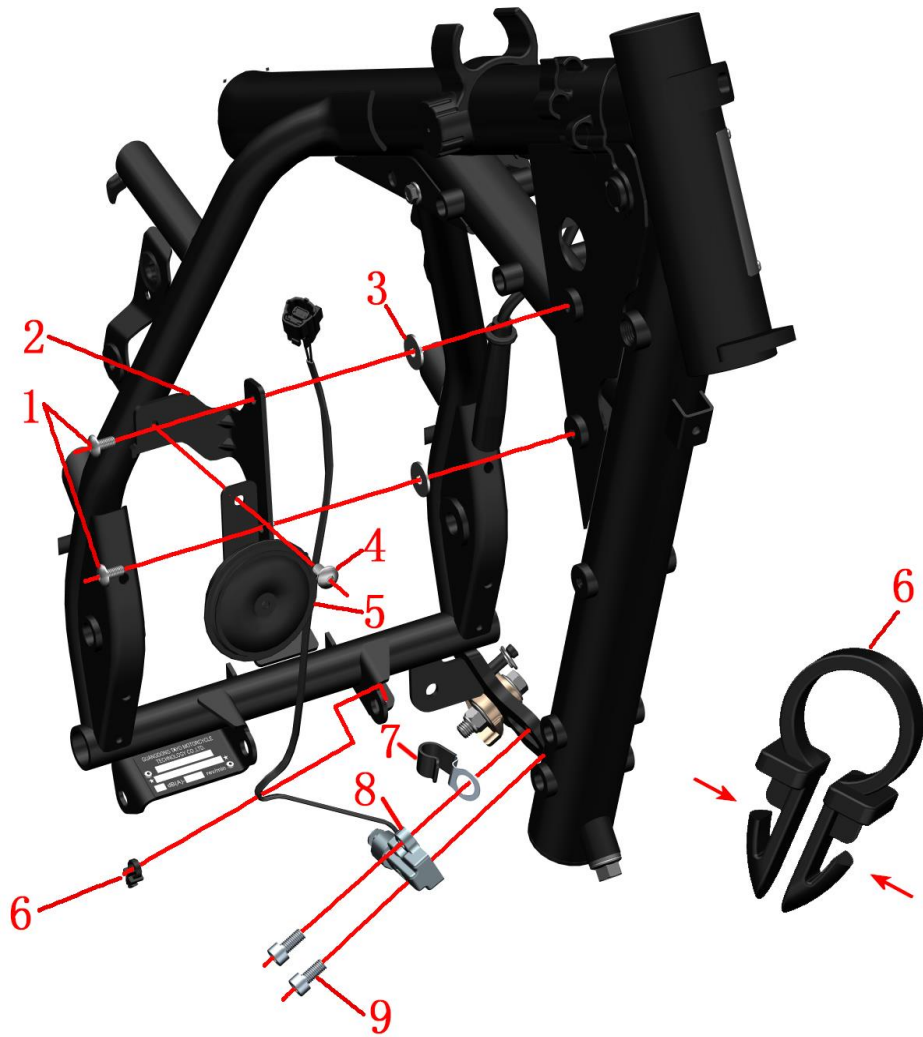
● Rectifier

Remove the bolts (3) with the inner hexagon tool and remove the rectifier (13),then remove the asbestos

| FIG.1 FRAME&ELECTRONIC PARTS COMPONENT | | Electronic parts COMPONENT-1 | CHK | CAUTION |
|--|----------------|--|-----|---------|
| NO. | PART NO. | PART NAME | ADJ | |
| 1 | 1184100-115000 | ZT250—R wire harness assembly (PKE) | 1 | |
| 2 | 1224100-030000 | Pin tie (Black 4.8×130) | 1 | |
| 3 | 1251100-102000 | Non-standard bolt M6×16 (304 stainless steel) | 3 | |
| 4 | 1226000-218000 | Grade 0 frame retardant tie (black 3.6×295)(5 per/after sale) | 8 | |
| 5 | 1184200-039000 | ZT310—R Flasher | 1 | |
| 6 | 1184100-002000 | ZT250—S Dump switch | 1 | |
| 7 | 1244100-082000 | ZT250—S Dump switch gum cover | 1 | |
| 8 | 1186001-018000 | ZT250-S Four-pin Normally Open Relay(after-sale) | 2 | |
| 9 | 1250201-032093 | GB818M5×16 z (color zinc) | 2 | |
| 10 | | ZT250—R Ignition coil, ignition cable component | 1 | |
| | | ZT310 EFI Ignition coil | | |
| 11 | 1274100-085000 | ZT250—R Ignition coil installing support | 1 | |
| 12 | 1184100-101000 | ZT250—R Head light diode | 1 | |
| 13 | 1184100-015000 | ZT250—S Rectifier | 1 | |
| 14 | 1270301-023000 | Stainless steel heat insulation mat 6×20×1.6(5 per/after sale) | 2 | |
| 15 | 1184200-024000 | ZT310—R relay of side support | 1 | |

CAUTION:

- In order to avoid the improper contact of the bending electrical parts, please pay attention to the direction and angle of force when plugging the electrical parts, so as to avoid the improper contact of the bending electrical parts. No violent operation.
- Please notice the limit of the bracket when dismantling flasher and dump switch sleeve, beware of hurting your fingers.
- EFI relay (8) model: KH-1A4T. Side bracket relay (15) model: G8HN-1C4T-RJ.
- The "ZT250 EFI Ignition coil" and the "ZT310 EFI Ignition coil" cannot be universal.



| FIG.2 FRAME&ELECTRONIC PARTS COMPONENT | | Electronic parts COMPONENT-2 | CHK | CAUTION |
|--|----------------|--|-----|---------|
| | | | ADJ | |
| NO. | PART NO. | PART NAME | QTY | |
| 1 | 1251100-102000 | Non-standard bolt M6×16 (304 stainless steel) | 2 | |
| 2 | 1274100-086000 | ZT250—R Horn intalling support | 1 | |
| 3 | 1270301-023000 | Stainless steel heat insulation mat 6×20×1.6(3mm/after sale) | 2 | |
| 4 | 1251100-101000 | Non-standard bolt M6×16 (304 stainless steel) | 1 | |
| 5 | 1184200-004000 | ZT310 Horn | 1 | |
| 6 | 1274100-017000 | ZT250—S Cable clip | 1 | |
| 7 | 1274100-095000 | ZT250 - S Flameout switch wire fixing bracket | 1 | |
| 8 | 1184100-012000 | ZT250—S Flameout switch | 1 | |
| 9 | 1250205-040095 | GB70.1 Hexagon socket screw M8×16(color zinc) | 2 | |

PROCEDURE:

●Horn and support

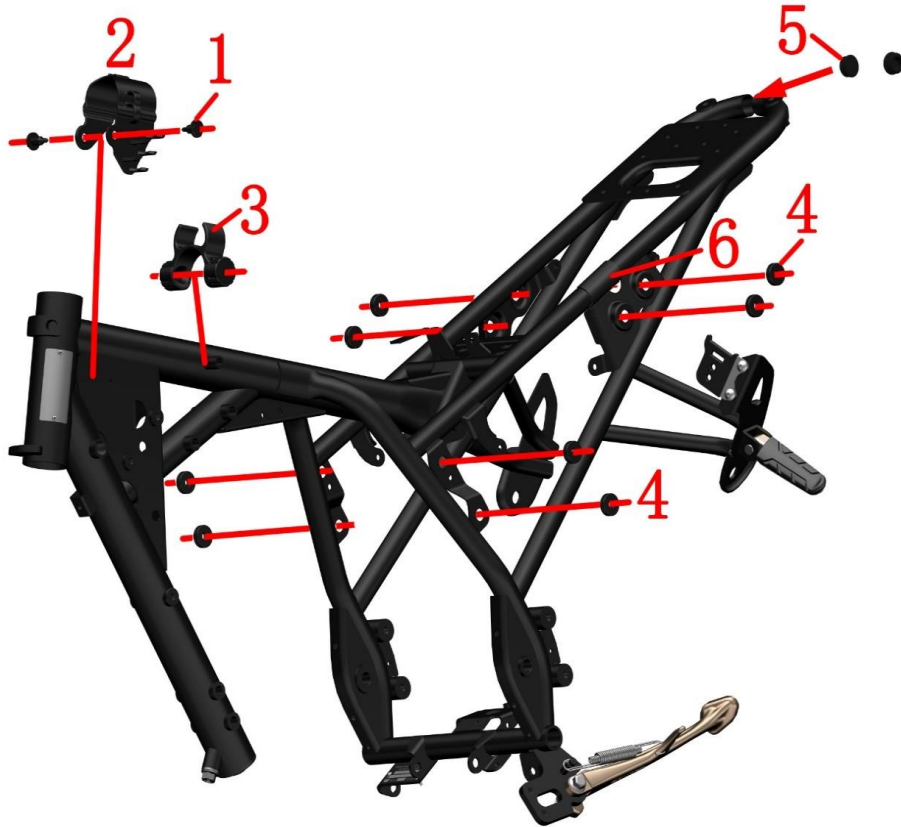
Remove the bolts with the inner hexagon tool (4) and remove the horn (5). Remove the bolt (1), the horn support (2) and the asbestos pad (3).

●Flameout switch

Use pliers (as above picture shown) to hold the line in the direction of the arrow with a slightly clamping hand to remove the cable clip (6). Remove the bolts(9) with the inner hexagon tool, Remove the bolts (8) with the inner hexagon tool and remove the flameout switch (7) .

CAUTION:

- Please pay attention to the strength when removing the cable clip.
- An asbestos pad is needed to insulate the heat transfer between horn support and frame.



| FIG.3 FRAME&ELECTRONIC PARTS COMPONENT | | Frame plastic parts | CHK | CAUTION |
|--|----------------|---|-----|---------|
| NO. | PART NO. | | ADJ | |
| | | PART NAME | QTY | |
| 1 | 1274100-002000 | ZT250—S Cable clamp | 2 | |
| 2 | 1224100-049000 | ZT250—R Cable collection clip | 1 | |
| 3 | 1244100-019000 | ZT250—S Inner fuel tank fix glue cushion | 1 | |
| 4 | 1244100-138000 | ZT250-S Side cover round rubber(5 pcs/after-sale) | 8 | |
| 5 | 1244100-061000 | ZT250 Frame water proof rubber plug | 2 | |
| 6 | 1240100-023000 | Battery positive protection glue. | 1 | |

PROCEDURE:

● Cable collection clip

First, take the cable and the main thread out from the collection clip, then use the straight screwdriver to pick up the middle part of the cable clip(1). Then take cable collection clip (2) off.

● Inner fuel tank fix glue cushion

Use both hands to hold the two ends cylinder parts of the inner fuel tank limited glue cushion (3) and should push it out.

● Side cover cushion

Remove the side cover cushion (4) with your hand directly.

● Frame waterproof rubber plug

Remove the frame waterproof rubber plug (5) with your hand directly.

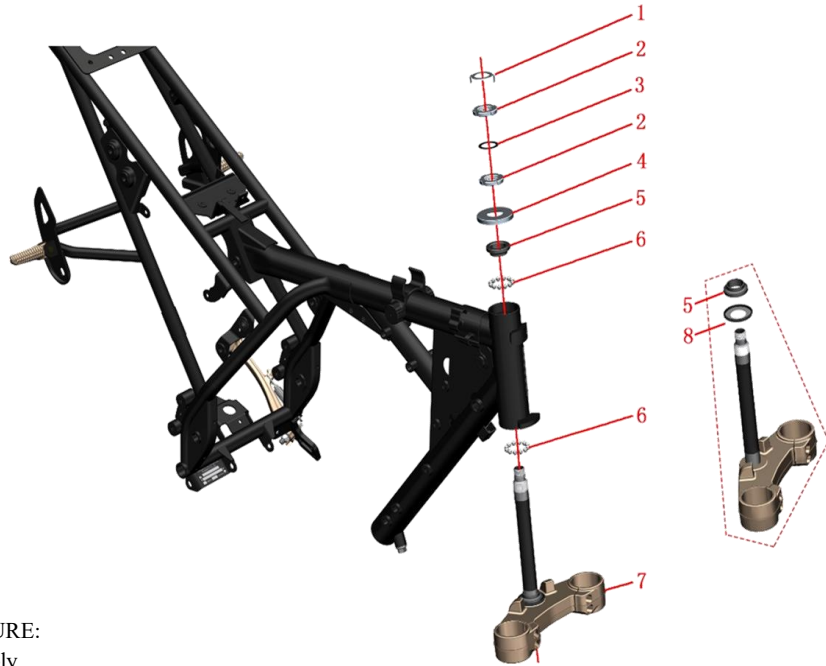
● Positive pole protection glue

Find out the slot parts position,open and take it out with tools.(6)

CAUTION:

● It must be dismantled them first, such as the cushion, fuel tank cover, inner fuel tank, sider cover, tail dress and so on.

● All parts should be correctly assembled.



PROCEDURE:

● Disassembly

Remove the lock washer(1).

Remove the top adjusting nut (2) by using a hook wrench tools.

Remove the rubber pad (3).

With one hand to hold down the down connected plate assembly (7), the other hand use a special four-jaw set or hook wrench to remove the adjusting nut(2).

Remove the upper dustproof cover(4).

Remove the down connected plate component(7).

Remove the axletree ring (5) of the upper riser and the steel ball(6).

Remove the steel ball of the down connected plate component(7).

● Assemble

When reassembling, the conjoined steel beads should be painted lubricating grease,attention to the dosage.

The torque of rating nut which closes to upper dustproof cover(4)is required to about 14N.m.so as to be able to rotate out of nimbleness.

The top adjusting nut only needs to rotate to the bottom of the nut groove alignment, not too tight to prevent the rubber pad (3) from deformation too large.

| FIG.4 FRAME&ELECTRONIC PARTS COMPONENT | | Steering rack component | | CHK | |
|--|----------------|---|-----|-----|------------|
| NO. | PART NO. | PART NAME | QTY | ADJ | |
| 1 | 1134100-040000 | ZT250-S Adjusting nut locking washer(5 pcs/after-sale) | 1 | | |
| 2 | 1251300-046093 | ZT250—S Steering column rating nut (color zinc) | 2 | | |
| 3 | 1244100-135000 | ZT250-S Adjusting nut rubber gasket (5 pcs/after-sale) | 1 | | |
| 4 | 1224100-005000 | ZT250—S Steering column upper dustproof cover | 1 | | |
| 5 | 1130900-053000 | ZT250-S shaft ring (after-sale) | 1 | | |
| 6 | 1130900-054000 | ZT250-S conjoined steel ball (5 pcs/after-sale) | 2 | | |
| 7 | 1134100-015000 | S lower connection borad(self made/with ball head) assembly | 1 | | |
| 8 | 1224100-006000 | ZT250—S steering stem dust cap(down) | 1 | | 【1】 |

CAUTION:

● Remove the head part component, handlebar component and front shock absorber component first .

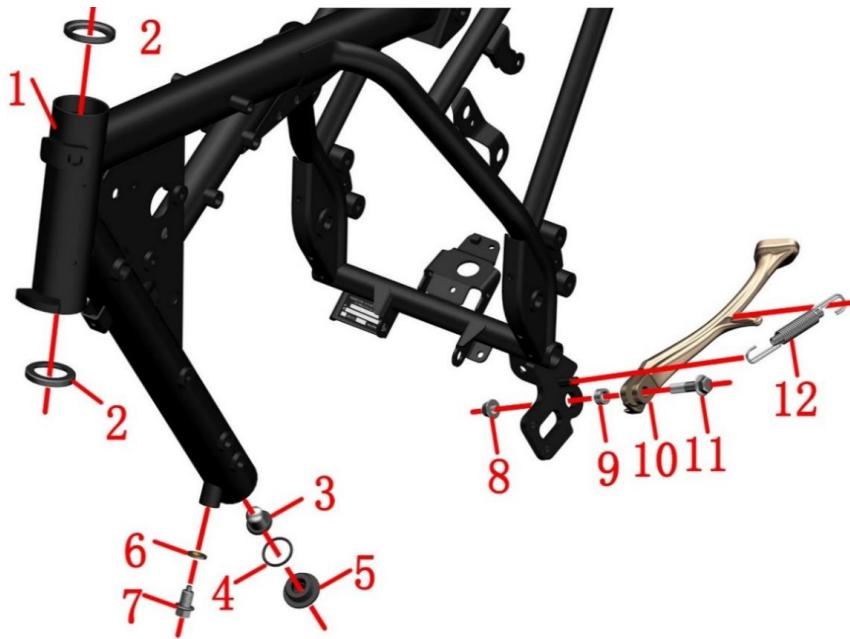
● Please pay attentin to fix the awaiting repair motorcycles well during disassembly,prevent dumping by accident.

● Please check whether the steel beads of the conjoined body have abnormal phenomena such as partial abrasion and rust.If YES, please buy the regular accessories on ZONTES official website, if not, please be sure to grease the old grease and repaint the lubricating grease on it.

● It must be to check whether the steel ball is available during reassembly.

● It must be reasonable to adjust the steering, too loose will cause the locomotive to brake slightly, and the locomotive will shake slightly, too tight can lead to inflexibility, resulting in safety hazards.

● If you have the ability and the right tool, you can change the shaft ring (5) and the dustproof cover (8).During the replacement process, pay attention to the protection of the lower connected plate. After replacement, it must be to check the parallelism of the column and the damping hole, the vertical degree of the vertical column and the lower connected plate.



PROCEDURE

●Checking the cushion loop

Checking whether the cushion loop (2) is frayed, if as it, please replace it on ZONTES website, fix the cushion loop well and paint the lubricating grease on it with appropriate tool.

●Replacing the engine oil filter screen

Put the oil pan on the bottom and use the appropriate tools to remove the oil cold joint (5), O ring (4), and oil filter screen(3). When replacing the oil filter screen (3), the O-ring(4) must be replaced at the same time. The oil cooling joint(5) must be tightened well when re-assembling which meets the standard torque value.

●Release the frame tube enging oil

Put the oil pan at the bottom, use the appropriate tool to remove the oil bolts(7) and the sealing gasket(6), and remove the oil from the frame tube. Refer to the instructions for detailed steps to replace the oil. It is recommended that the engine oil should be replaced with oil bolts (7) and sealing gasket(6) to prevent oil leakage.

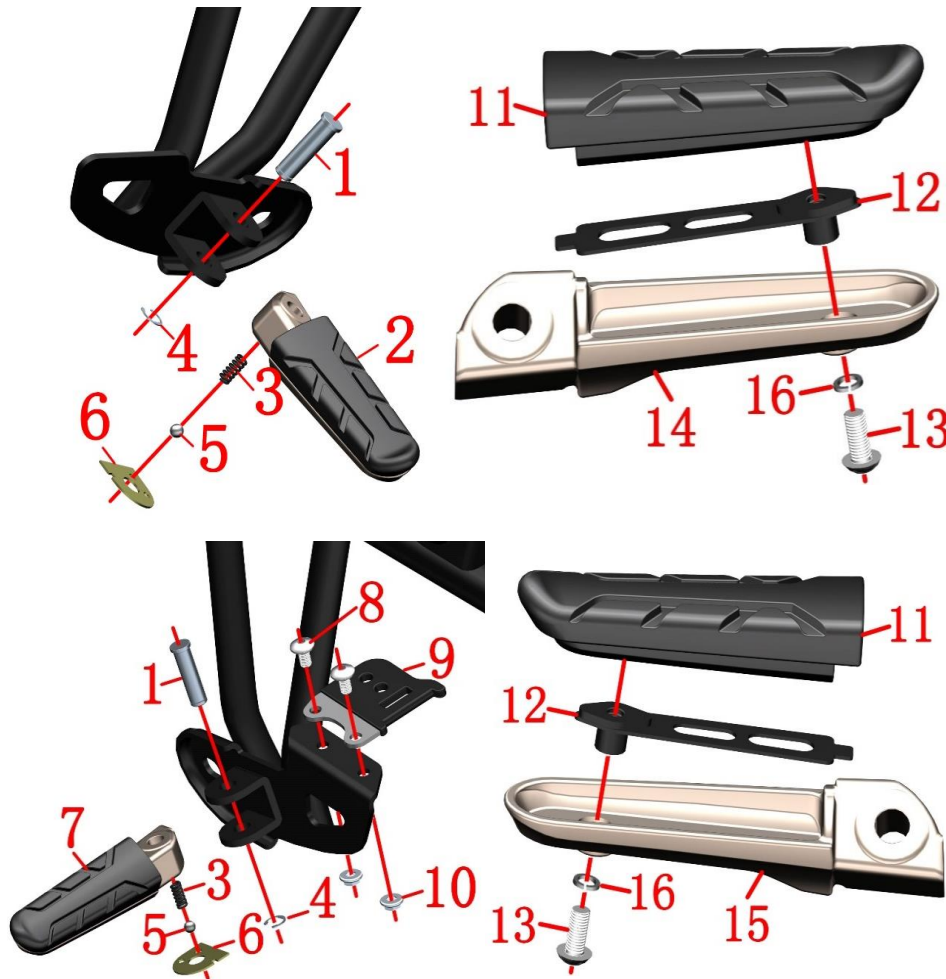
●Sider support

Use the cross screwdriver to remove the side support spring (12), and guard against the personal injury caused by spring contraction, remove the nuts (8) and bolts (11) with the appropriate tools. Remove the side support (10) and bush(12), paint the lubricating grease on the bush when re-assembling ,then put it into the frame(1)

| FIG.5 FRAME&ELECTRONIC PARTS COMPONENT | | Frame, Side support, the operation of releasing engine oil | CHK | CAUTION |
|--|----------------|---|-----|----------------|
| | | | ADJ | |
| NO. | PART NO. | PART NAME | QTY | |
| 1 | | ZT250 - R frame II after - sale assembly (ABS version / including seat / nameplate / Euro IV) | | Export |
| 2 | 1130900-052000 | ZT250-S upper steel bowl (after-sale) | 2 | For after-sale |
| 3 | 1274100-006000 | ZT250—S Frame engine oil filter screen | 1 | |
| 4 | 1051453-003000 | 27.4×2.65 Acrylate O gule cushion loop | 1 | |
| 5 | 1274100-024000 | ZT250—S Oil cooling joint | 1 | |
| 6 | 1244100-033000 | combined sealing gasket12×φ20×2 | 1 | |
| 7 | 1251100-066093 | M12×1.5×15 Ablassschraube (color zinc) | 1 | 24±4N.m |
| 8 | 1251300-057093 | Non-standard bolt M10×1.5 (dacromet) | 1 | |
| 9 | 1251700-025091 | ZT250—S Side support bush | 1 | |
| 10 | 4024100-001000 | ZT250—S Side support | 1 | |
| 11 | 1251100-088094 | Non-standard bol M10×1.5×43 (dacromet) | 1 | |
| 12 | 1260300-079093 | ZT250-S side stand spring(after-sale) | 1 | |

CAUTION:

- Remove the wind deflector component, handle bar component, steering column component first.
- Paint the lubricating grease on the cushion ring to decrease the rotary resistance of front forklift.
- The waste oil needs to be collected and returned to qualified institutions. It is forbidden to dump and pollute the environment and the source of water.
- Pay attention to safety when mounting side support spring.
- All parts should be correctly assembled.
- The Chinese frame after-sales assembly includes 3C nameplate, seat ring and packaging carton. The export frame after-sales assembly includes Euro IV nameplate, seat ring, and carton not included.



| FIG.6 FRAME&ELECTRONIC PARTS COMPONENT | | Rear pedal component | CHK | CAUTION |
|--|----------------|--|-----|---------|
| NO. | PART NO. | PART NAME | ADJ | |
| 1 | 1274100-012000 | ZT250—S Pedal axis pin | 2 | |
| 2 | 1274200-061000 | ZT310 - X rear right footrest | 1 | |
| 3 | 1264100-005000 | ZT250—S Pedal Steel ball spring | 2 | |
| 4 | 1264100-006000 | ZT250—S Pedal clamp spring | 2 | |
| 5 | 1274100-010000 | ZT250—S Rear pedal steel ball | 2 | |
| 6 | 1274100-052000 | ZT250—S Rear pedal locating plate | 2 | |
| 7 | 1274200-062000 | ZT310 - X rear left footrest | 1 | |
| 8 | 1251100-101000 | Non - standard bolt M6×12 (304 stainless steel) | 2 | |
| 9 | 1274100-100000 | ZT250 - R disc brake lock bracket | 1 | 【1】 |
| 10 | 1250303-040093 | GB6177.1M6 (environmental color)(5 pcs/after-sale) | 2 | |
| 11 | 1244200-024000 | ZT310 - X footrest gum cover | 2 | 【2】 |
| 12 | 1274200-051000 | ZT310 - X footrest gum cover fixed plate | 2 | |
| 13 | 1250205-038000 | GB70.2M5×12(stainless steel) | 2 | |
| 14 | 1032142-040000 | ZT310 - X rear left pedal | 1 | |
| 15 | 1032142-039000 | ZT310 - X rear right pedal | 1 | |
| 16 | 1250501-010000 | GB93φ6 spring pad | 2 | |

PROCEDURE:

●Disassembly rear pedal

Pry open the clamp spring (4), then push the pedal pin shaft(1)out with tools.Pull the pedal (2) or (7) outward.

●Assemble rear pedal

Place one side with two holes of pedal horizontally and put the pedal spring (3) in the pedal (2) or (7) in the small hole.

Put the steel ball (5) inside,compress the steel ball and spring with the positioning plate(6).

Assemble the pedal on the frame and distinguish the right, left pedal.

The axis pin (1) is inserted after the pedal hole is aligned with the pedal support mounting hole.

Insert the clamp spring(4) into the pin shaft slot.

●Disc brake lock bracket

Fix the bolt (8) with a hexagonal tool and remove the nut (10) with a sleeve, and finally remove the disc brake lock bracket (9) from the frame.

●Foot aftersales service parts

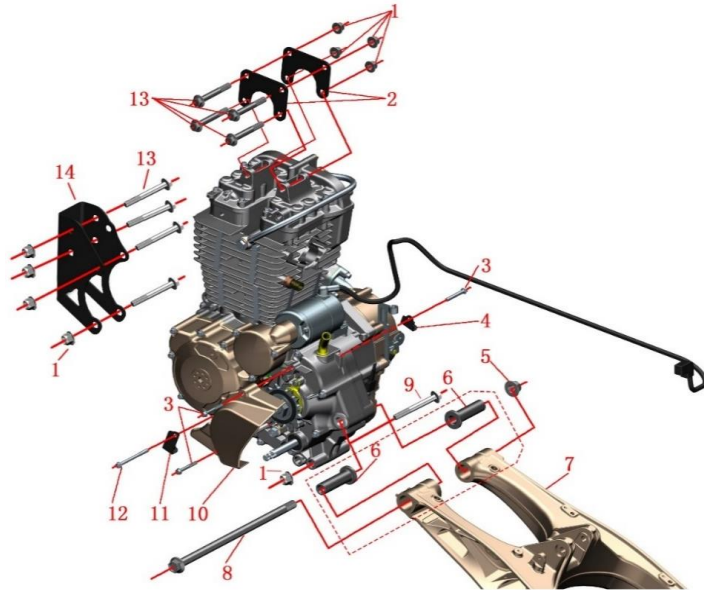
Grasp the left rear pedal (14) or right rear pedal (15), remove the bolt (13) with an allen tool, and remove the spring washer (16). Remove the rubber sleeve (11) and the fixing piece (12).

CAUTION:

●Take care of the material when removing the pedal.

●【1】 Only suitable for TOP DOG disc brake lock RE008 and TOP DOG disc brake lock RE0081, other models are not adapted.

●【2】 Only for after-sales replacement of worn-out pedal parts.



PROCEDURE:

● Chain wheel cover

Dismantle the left side bolt (3) of the engine with the sleeve and remove the chain wheel cover (10).

● Bracket engine hanging

Use the sleeve to cover the head of the bolt (13) then dismantle the nut (1) with the sleeve. Remove the bolt then dismantle the bracket (14).

Use the sleeve to cover the head of the bolt (9), remove the nut (1) with the sleeve, then remove the bolts.

● Hanging piece

Use the sleeve to cover the head of the bolt (13) and remove the nut (1) with the sleeve. Can not remove the bolt (13) and the hanging piece (2).

● Engine middle part, frame and rear forklift component

Use the sleeve to cover the head of the bolt (8) and remove the nut (5) with the sleeve. Other parts cannot be removed.

● Engine

Both persons hold the left and right boxes of the engine. One person takes the bolt (13) and hanging piece (2) off. Remove the rear flat fork ASSY (7). Support the engine to shift to one side, and pay attention to safety during the movement. Put the engine flat on the ground.

● Wind deflector support, rear forklift sleeve

Remove the bolts (3) with the sleeve then remove the left support (11) and right support (4) of the wind deflector.

| FIG.1FRAME&ENGINE | | Frame&Engine | CHK | |
|-------------------|----------------|--|-----|--------------|
| NO. | PART NO. | PART NAME | ADJ | |
| 1 | 1251300-057093 | Non-standard nut M10×1.5 (dacromet) | 9 | |
| 2 | 1020241-225000 | ZT250—R Upper hanging piece | 2 | out of stock |
| | 1020242-385000 | ZT310—V Upper hanging piece | | |
| 3 | 1251112-003093 | M6×45 Hexagonal flange face 9.8 level bolt. | 3 | |
| 4 | 1274100-033000 | ZT250—S Right support of down wind deflector | 1 | |
| 5 | 1251300-059093 | 125 Spindle nut of rear forklift M14×1.5 (dacromet) | 1 | |
| 6 | 1274100-009000 | ZT250—S The axle sleeve of rear forklift | 2 | |
| 7 | 4024100-024000 | ZT250 aluminum rear fork assembly(bearing/oil sealing) | 1 | |
| 8 | 1252200-016093 | 250 Rear forklift axle Ø14×310 (dacromet) | 1 | |
| 9 | 1251100-086093 | Non-standard bolts M10×1.5×112 (dacromet) | 1 | |
| 10 | 4044100-022051 | ZT173YMM Output chain wheel cover | 1 | |
| 11 | 1274100-034000 | ZT250—S Lower wind deflector left support | 1 | |
| 12 | 1251112-005093 | M6×75 Hexagonal flange face 9.8 level bol | 1 | |
| 13 | 1251100-132003 | Non-standard bolts M10×1.5×80 (dacromet) | 8 | |
| 14 | 4024100-031000 | ZT250—R Bracket | 1 | |

CAUTION:

● It is necessary to remove the seat cushion, fuel tank, side cover, pedal support, wind deflector, shift lever, muffler, radiator and pipe, cable, air filter joint, chain, engine start motor positive line pole, etc.

● Use appropriate tools to support the motorcycle to prevent motorcycle dumping during disassembly. Single operation is forbidden.

● The waste oil needs to be collected and returned to qualified institutions. It is forbidden to dump and pollute the environment and the source of water.

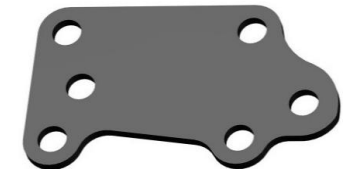
● Please pay attention to safety to prevent accident.

● It must be operated the engine with more than one people at the same time when removing the engine.

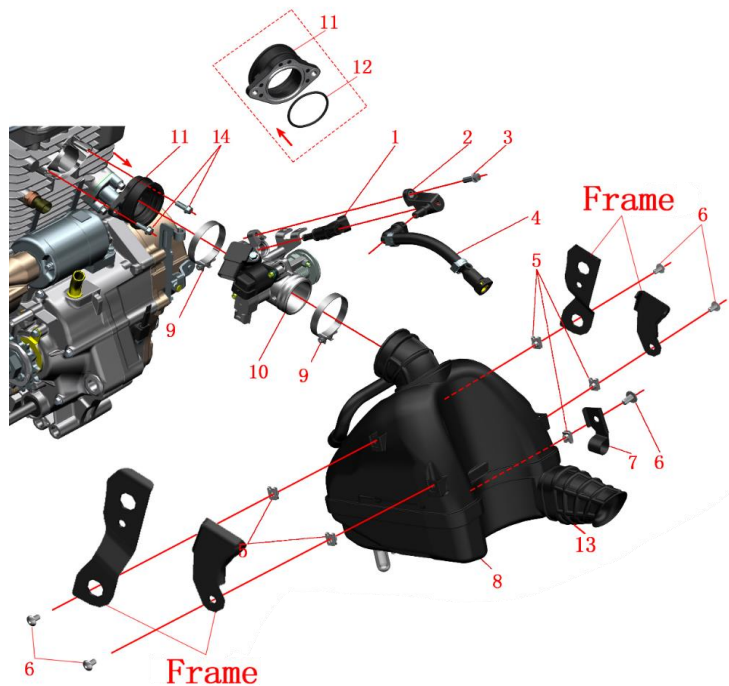
● All standard parts must meet the standard torque value when reassembling, and refill the engine oil according to the operation instruction.



ZT250—R Upper hanging piece



ZT310—V Upper hanging piece



| FIG.1 INDUCTION SYSTEM COMPONENT | | Intake system component | CHK | CAUTION |
|----------------------------------|----------------|---|-----|---------|
| NO. | PART NO. | PART NAME | ADJ | |
| 1 | 1050954-007000 | 39—N008 gasoline injector | 1 | |
| 2 | 1050954-008000 | 39—N008 Fuel injector | 1 | |
| 3 | 1251112-001093 | M6×16 Hexagon flange bolts (color zinc) | 1 | |
| 4 | 1050954-006000 | ZT180MN high press fuel pipe of EFI | 1 | |
| 5 | 1251300-063093 | Plywood M6×11×15(color zinc) | 5 | |
| 6 | 1251100-101000 | Non—standard bolt M6×12 (304 stainless steel) | 5 | |
| 7 | 1274100-076000 | ZT250—R rear disc brake pipe clamp (steel) | 1 | |
| 8 | 1224200-058000 | ZT310—R second generation air filter | 1 | |
| 9 | 1051354-004000 | Φ56×10 clamp components | 2 | |
| 10 | 1050953-021000 | TB35 throttle body parts | 1 | |
| 11 | 1050953-022000 | TB35 intake manifold assembly | 1 | |
| 12 | 1051453-007000 | 45×2.1 Fluoroelastomer O-ring | 1 | |
| 13 | 1244100-083000 | ZT310—R Air filter small air inlet | 1 | |
| 14 | 1251100-061093 | M6×22 Hexagon flange bolt (color zinc) | 2 | |

PROCEDURE:

●High pressure oil pipe

Press anti-loose ring on the joint of the fuel pump joint which is close to high pressure oil pipe (4), then pull it out directly, the balance fuel in the tube needs to be connected to the oil pot. Please prevent fuel dripping onto any part of the vehicle. Press the anti-loose card ring near the injector fixator(2) to unplug the high-pressure oil pipe, as picture shown, smoking and lighting fires are strictly forbidden during disassembly.

●Air filter

Remove the bolts (6) with the inner hex sockets tool, pull the the tubing clip(7)out from the disc brake pipe and take it out. Loosen the pipe hoop assembly on the air filter (9), clamp on the exhaust pipe and unplug the exhaust pipe from the exhaust outlet of the engine. Then use the rubber plug to prevent the foreign body from entering the damaged engine. Remove the air filter (8) and plywood nut (5).Remove the small air inlet(13) from air filter(8).

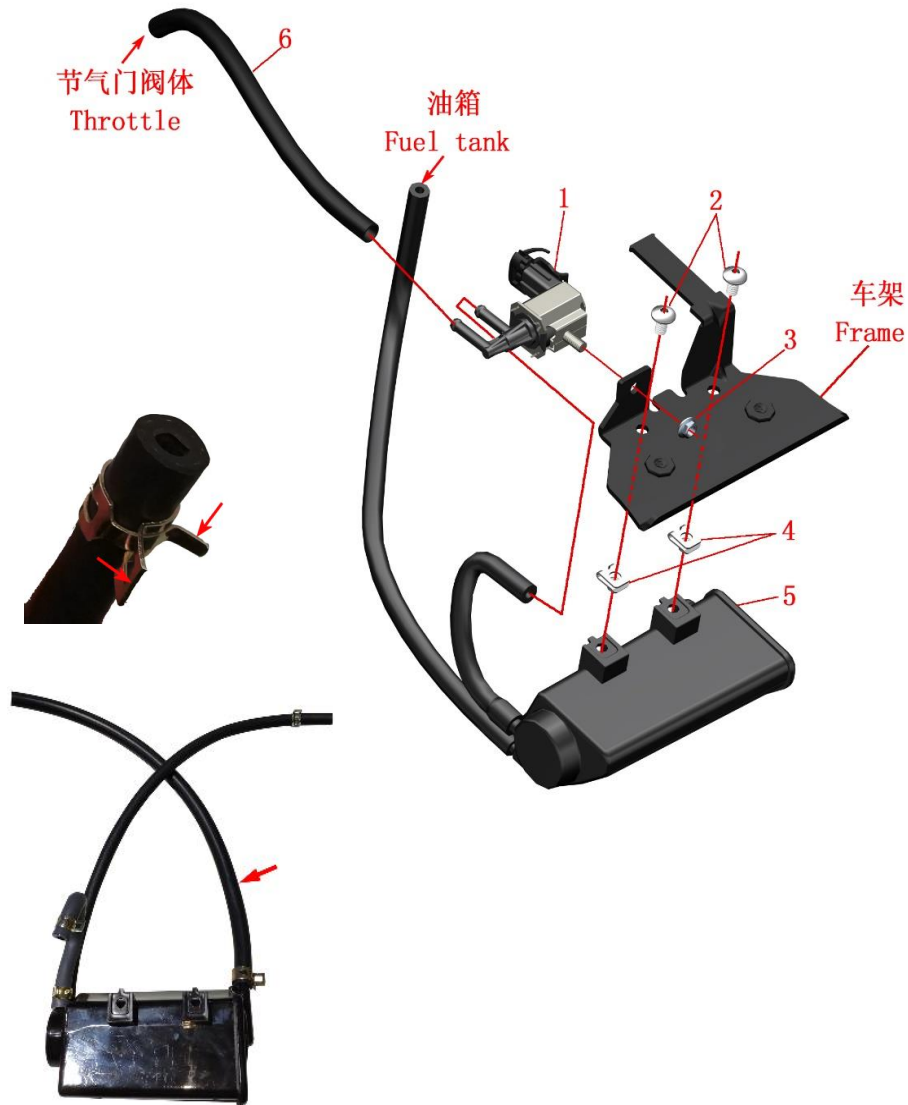
●Throttle valve component

Remove the bolts (14) with the club wrench and remove the throttle valve assembly. Loosen and remove the pipe band (9) between the induction manifold assembly (11) and the throttle part (1),Remove the O ring (12) from the induction pipe assembly.Remove the screw (3) of the fuel injector fixator (2) with the sleeve and remove the fixer and the fuel injector (1).

CAUTION:

- First it need to remove the cushion,side cover,oil tank outside cover and liner,rear shock absorber and electrical device box etc.
- When removing the high pressure oil pipe,It is sure to operate until the engine and muffler are completely cooled. Prevent accidental ignition of fuel and cause fire.
- Fireworks, answering or dialing should be strictly prohibited near the car-breaking site to prevent accidents.





| FIG.2 INDUCTION SYSTEM COMPONENT | | Carbon Tank component | CHK | CAUTION |
|----------------------------------|----------------|--|-----|---------|
| | | | ADJ | |
| NO. | PART NO. | PART NAME | QTY | |
| 1 | 1050954-009000 | YH Carbon tank electromagnetic valve | 1 | |
| 2 | 1251100-101000 | Non-standard bolts M6×12 (304 stainless steel) | 2 | |
| 3 | 1250303-040093 | GB6177.1M6 (environmental color)(5 pcs/after-sale) | 1 | |
| 4 | 1251300-063093 | Plywoord M6×11×15 (color zinc) | 2 | |
| 5 | 1224200-158000 | ZT310—R Carbon tank II (with fuel pipe) | 1 | |
| 6 | 1244200-004000 | TB41 Throttle valve desorption rubber tubing | 1 | |

PROCEDURE:

● Carbon tank

Clamp the pipe clamp on the exit of the oil and gas separator at the bottom of the tank with pliers and pull out the tubing. Unplug carbon tank solenoid valve (1) with the same method. Remove the bolts with the inner hex tool (2). Remove the carbon tank (5) from the left side of the frame and remove the plywood nut (4).

● Desorption tubing

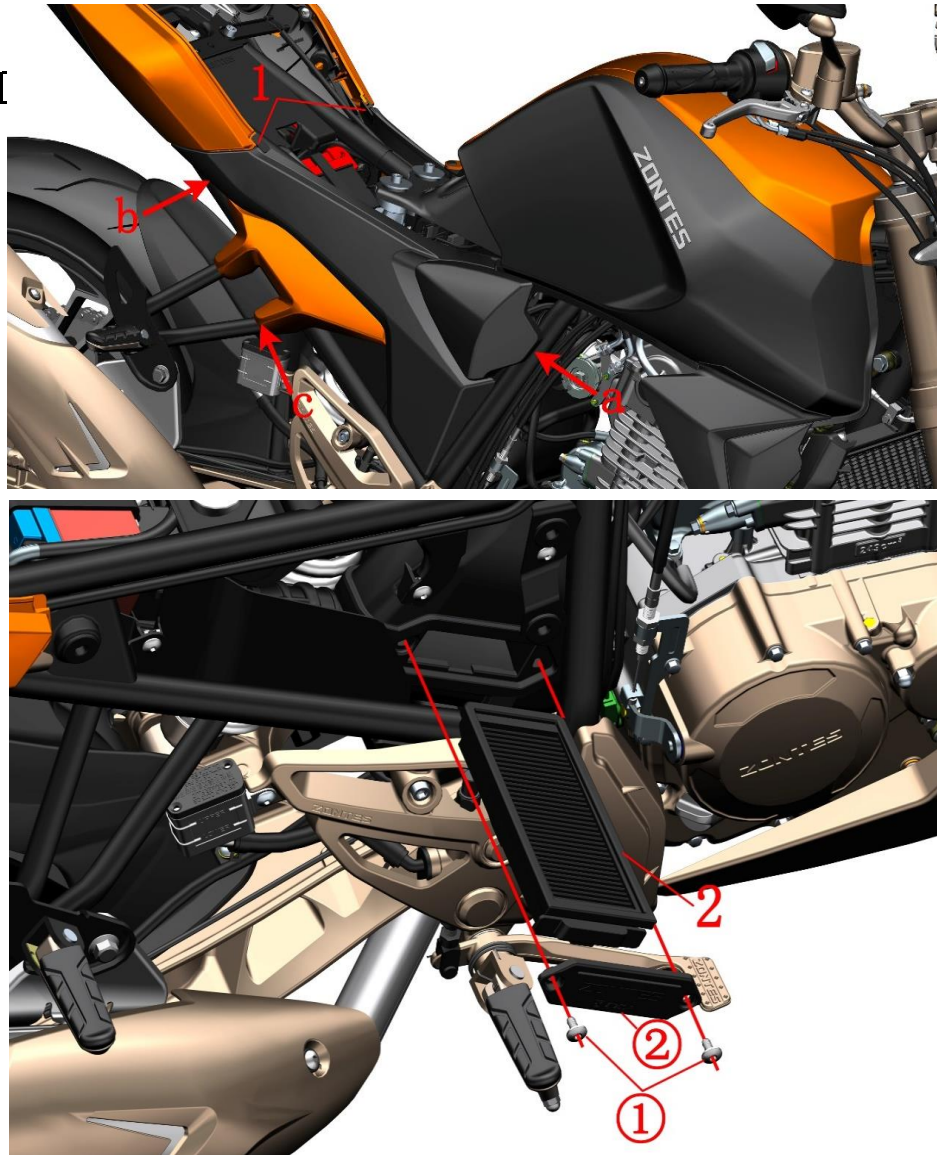
Clamp the pipe clamp on both ends of the desorption tubing, and take it (6) out.


● Carbon tank electromagnetic valve

Remove the plug of the solenoid valve (1), then remove the nut (3) with the sleeve and remove the electromagnetic valve.

CAUTION:

- It needs to remove the seat cushion, side cover, oil tank cover, bladder and so on.
- Regularly check whether the filter element of the carbon tank and air filter is not ventilated, otherwise it may cause the oil supply to affect the driving experience.
- It should be no crimp, entanglement and other phenomena.
- Add a fuel pipe on March 13, 2019 to prevent fuel dropping onto the muffler surface.



| FIG.3 INDUCTION SYSTEM COMPONENT | | Replace the air filter element | CHK |  |
|----------------------------------|----------------|--|-----|---|
| | | | ADJ | |
| NO. | PART NO. | PART NAME | QTY | CAUTION |
| 1 | 1224100-024000 | ZT250—S Plastic connector block | 1 | |
| 2 | 1226400-174000 | ZT310—R air filter element (with carton packaging) | 1 | After sale |

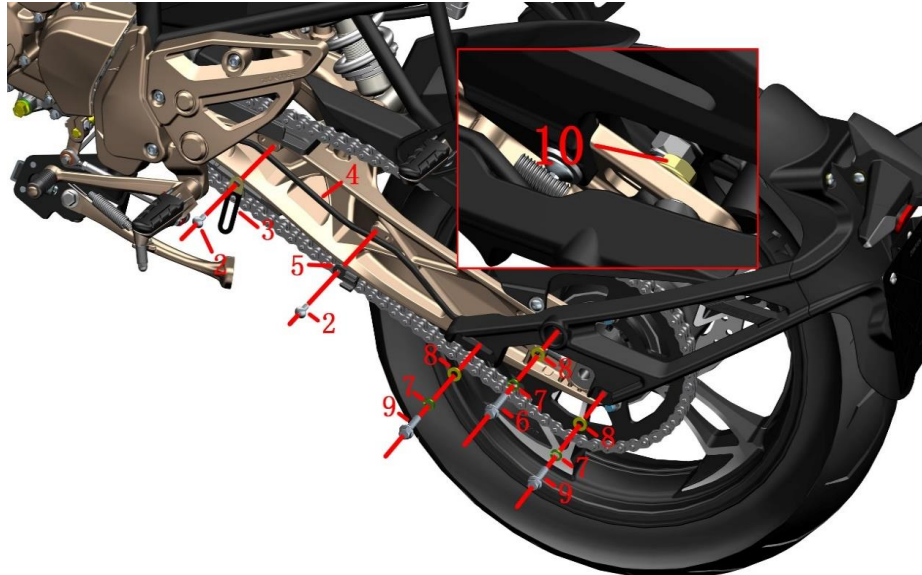
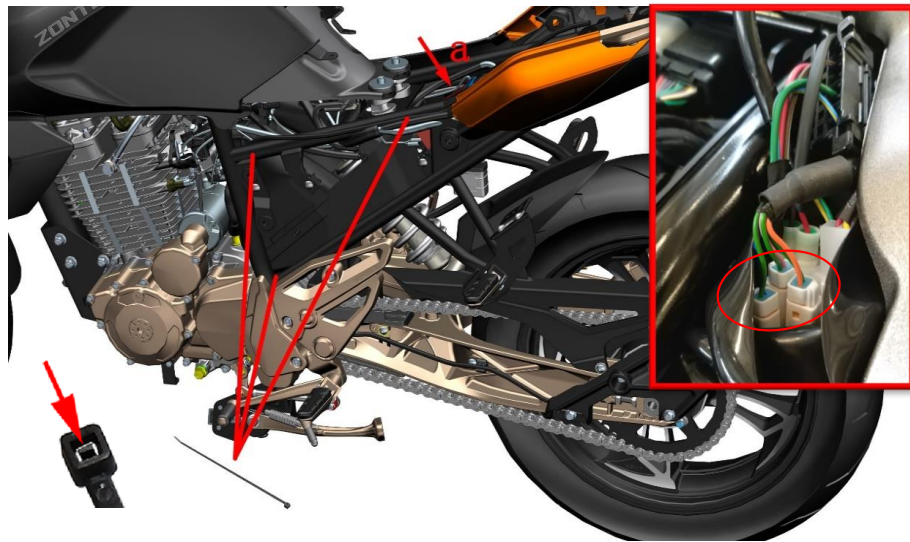
PROCEDURE:

● Filter element

If you need to maintain the filter element of the air filter, remove the plastic connection piece (1). Press the a-end of the right side cover to pull out forcibly, then pull out the b-end, remove the right cover assembly; Similarly remove the left cover assembly. Take the two standard parts ① out of air filter with the tool, dismantle the box cover ②, then extract the filter element (2). Blow the dust off the filter core by blowing dust gun in the filter element. If the blowback causes the dust to be unable to clean up, the engine will be damaged or the induction resistance will become larger and affect the driving experience. If there is any damage, please log on the official website and purchase another parts.

CAUTION:

- Regularly check whether the filter element of the carbon tank and air filter is not ventilated, otherwise it may cause the oil supply to affect the driving experience.
- When blowing dust, pay attention to maintain a certain distance to avoid excessive damage to the filter element.
- When assembling the side cover assembly, you should install end b first, then end a, and finally press c to snap the decorative cover to the frame tube.



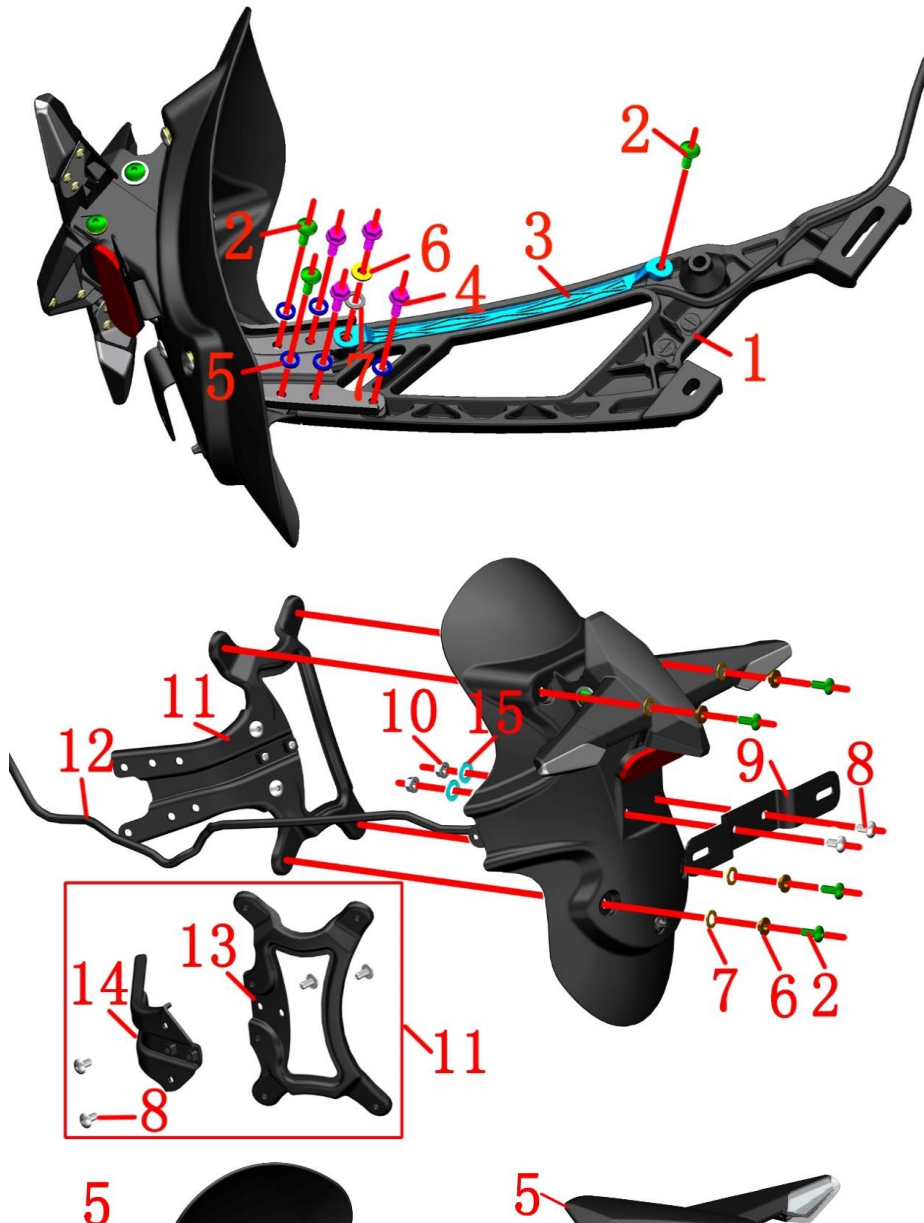
| FIG.1 REAR FORKLIFT COMPONENT | | Rear sub mudguard component 1 | CHK | ⚠ |
|-------------------------------|----------------|---|-----|---|
| NO. | PART NO. | PART NAME | ADJ | |
| 1 | 1226000-218000 | pcs/after-sale) | 3 | |
| 2 | 1251100-101000 | Non-standard bolt M6×12 (304 stainless steel) | 2 | |
| 3 | 1276001-054000 | φ8 clip(L=73)(5 pcs/after-sale) | 1 | |
| 4 | 1184100-114000 | ZT250-R auxiliary fender extension cable | 1 | |
| 5 | 1224200-003000 | ZT310-Z Rear disc brake pipe clamp | 1 | |
| 6 | 1250105-143093 | GB5789M8×35 (environmental color) | 1 | |
| 7 | 1250501-007093 | GB93φ8(color zinc) | 3 | |
| 8 | 1250503-021093 | GB97.1φ8 (environmental color) | 3 | |
| 9 | 1250105-149093 | GB5789M8×30 (environmental color) | 2 | |
| 10 | 1250303-011093 | GB6177.1M8(color zinc) | 1 | |

PROCEDURE:

- Rear vice fender assembly
- Find interface a and unplug three plugs.
- Cut off or use a tool to untie the cable tie(1).
- Pull straight the clip(3).Remove bolt(2), take off the clip(3) and disc brake oil pipe clamp(5).
- Use plum blossom wrench to tightent the nut(10) and disassemble bolt(6) which is close to "ZONTES" mark with a sleeve.And remove the spring pad(7),flat pad(8)and nut(10).
- Hold the Rear vice fender assembly and disassemble bolt(6) and bolt(9) with a sleeve. Take off spring pad(7) and flat pad(8).
- Take off the Rear vice fender connecting cable(4)and rear vice fender assembly.

CAUTION:

- The seat cushion, left side cover, etc. must be removed in advance.
- Do not pull the cable hard when removing the vice fender connecting cable.
- When reassembling, make sure that the torque of the three M8 bolts reaches 35N.m, and you need to apply the thread fastening glue first. Before tightening the bolts, check that there is any pressure on the wires to prevent short circuits when tightening the bolts.



| FIG.2 REAR FORKLIFT COMPONENT | | Rear sub mudguard component 2 | | CHK | ⚠ |
|-------------------------------|----------------|--|-----|-------------|---|
| | | | | ADJ | |
| NO. | PART NO. | PART NAME | QTY | CAUTION | |
| 1 | 1020242-263021 | ZT310 rear auxiliary fender aluminum alloy bracket (home made) | 1 | | |
| 2 | 1251100-102000 | Non-standard bolt M6×16(304 stainless steel) | 7 | | |
| 3 | 1224200-090000 | ZT310 rear auxiliary fender retaining plate | 1 | | |
| 4 | 1250105-137093 | GB5789M6×16(color zinc) | 4 | | |
| 5 | 1250501-007093 | GB93φ8(color zinc) | 5 | | |
| 6 | 1274100-155095 | pcs/after-sale) | 5 | | |
| 7 | 1241200-124021 | pcs/after-sale) | 5 | | |
| 8 | 1251100-101000 | Non-standard bolt M6×12 (304 stainless steel) | 6 | | |
| 9 | 1270300-039000 | HJ125-6 rear license light bracket | 1 | | |
| 10 | 1250303-040093 | GB6177.1M6 (environmental color)(5 pcs/after-sale) | 2 | | |
| 11 | 4024200-102000 | ZT310-R rear sub-plate iron bracket assembly (improved) | 1 | | |
| 12 | 1184100-114000 | ZT250-R auxiliary fender extension cable | 1 | | |
| 13 | 4024200-036000 | ZT310-v rear auxiliary fender iron support rear section | 1 | After sales | |
| 14 | 4024200-101000 | ZT310 rear auxiliary fender iron support front section | 1 | | |
| 15 | 1250503-021093 | GB97.1φ8 (environmental color) | 2 | | |

PROCEDURE:

- Retaining plate
Remove the bolts(2)and (4), remove the flange bushing (6) the rubber pad(7), and finally remove the retaining plate(3).
- Aluminum alloy bracket
Remove the 2 pcs of bolt(8) and 3 pcs of (4), then remove 5 pcs of spring washer(5).Separate the aluminum bracket from the rear auxiliary fender assembly.
- Back license plate bracket assembly
Remove the bolt(8) and nut(10) at the license bracket(9) and remove the license bracket(9).
- Rear auxiliary mud plate iron bracket
Hold the rear turn signal assembly, remove the bolt(2), and remove the flange bushing(6) and rubber pad(7). Remove the rear sub-mud iron bracket(11)and rear turn signal assembly.
The old one-piece iron bracket has been discontinued, and the integrated iron bracket assembly (11) needs to be replaced. The assembly already contains the front section (14), the rear section (13) and 4 bolts (8).

CAUTION:

- Do not pull the cable hard when removing the sub-mud switch.
- When reassembling, first check if there is any pressure on the wire to prevent short circuit when tightening the bolt.
- 2 pcs GB97.1φ8 have been added to motorcycle manufactured by July 2021.Early production can add by yourself.

| FIG.3 REAR FORKLIFT | Rear sub mudguard component 3 | CHK | ⚠ |
|---------------------|-------------------------------|-----|---|
|---------------------|-------------------------------|-----|---|



| COMPONENT | | rear sub mudguard component | ADJ | CAUTION |
|-----------|----------------|--|-----|---------|
| NO. | PART NO. | PART NAME | QTY | |
| 1 | 1251300-063093 | Plywood M6×11×15(color zinc) | 6 | |
| 2 | 1244100-136000 | ZT250-S rear licensess buffer rubber(5 pcs/after-sale) | 1 | |
| 3 | 1224200-091000 | ZT310-R rear mudguard fender | 1 | |
| 4 | 1276001-054000 | φ8 clip(L=73)(5 pcs/after-sale) | 1 | |
| 5 | 1174200-035000 | ZT310 rear turn signal (including license plate light) | 1 | |
| 6 | 1174100-015000 | ZT250-S rear reflector(after-sale) | 1 | |
| 7 | 1251100-102000 | Non-standard bolt M6×16(304 stainless steel) | 4 | |
| 8 | 1274100-155095 | pcs/after-sale) | 2 | |
| 9 | 1241200-124021 | pcs/after-sale) | 4 | |
| 10 | 1250502-010093 | GB96.1φ6(color zinc) | 2 | |
| 11 | 1274100-018000 | ZT250-S anti-hot plate sleeve, muffler | 2 | |
| 12 | 1184100-114000 | ZT250-R auxiliary fender extension cable | 1 | |
| 13 | 1244200-082000 | ZT310 Rear sub fender wire rubber plug | 1 | 【1】 |
| 14 | 1251100-375000 | Hexagon socket head screw M6×16+8.5×5 SUS302 | 2 | |

PROCEDURE:

● Back reflector, license plate cushion rubber

Flip to the back, remove the nut① that comes with the rear reflector(6), remove the clamp(4) and the back reflector. Remove the plate cushion rubber(2) and remove the 2 plywood nuts(1) on the back of the rear mudguard fender(3).

● Steering lights, fender sub-assemblies

Remove the bolts(7) on the left and right sides, and remove the flange bushing (8), cushion rubber(9), anti-scalding bushing (11) and gasket(10) or bolt(14). Disassemble the turn signal and fender subassembly. Note that the sub-mud switch cable(12) cannot be forcibly pulled.

● fender sub-assembly

Remove the 2 plywood nuts(1) and retaining rubber plug(13) from the fender subassembly(3).

● turn signal subassembly

Remove the 2 plywood nuts(1) from the turn signal(5). Remove the 3 joints of② and remove the sub-mud switch cable(12).

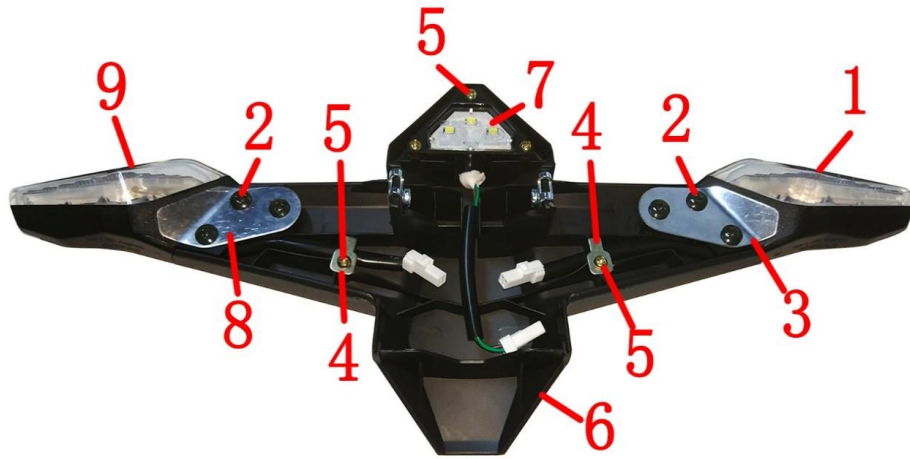
CAUTION:

● Do not pull the cable hard when removing the sub-mud switch.

● When reassembling, check if there is any pressure on the wire to prevent it from tightening.

Short circuit caused by bolts. Pay attention to the lamp connector, do not insert the wrong, turn left Green + orange; right turn signal is green + blue; license plate light is green + pink. ● The old model uses M6×16 bolt + GB96.1 φ 6 + flanging bushing buffer glue + muffler anti-ironing board bushing 2 pieces of structure. Buy 2 pieces " 1251100-375000 Hexagon socket head screw M6×16+ 8.5×5 SUS302 " instead to reduce assembly steps.

| | | | |
|-------------------------------|--|-----|--|
| FIG.4 REAR FORKLIFT COMPONENT | Rear turning light parts for after sales service | CHK | |
| | | ADJ | |



| NO. | PART NO. | PART NAME | QTY | CAUTION |
|-----|----------------|--|-----|---------|
| 1 | 1174200-020000 | ZT310-X Rear right turning light | 1 | |
| 2 | 1251200-056095 | Non-standard cross self-tapping screw ST3.8×10 (military green) | 6 | |
| 3 | 1274200-331000 | ZT310-X rear right turn signal fixing bracket | 1 | |
| 4 | 1274200-332000 | ZT310 rear turn signal fixing wire clip | 2 | |
| 5 | 1251200-101000 | Non-standard cross self-tapping screw ST3.0×7 (color zinc)(5 pcs/after-sale) | 5 | |
| 6 | 1224200-120000 | ZT310 rear turn signal bracket | 1 | |
| 7 | 1174200-021000 | ZT310-X Liensed lights | 1 | |
| 8 | 1274200-330000 | ZT310-X rear left turn signal fixing bracket | 1 | |
| 9 | 1174200-019000 | ZT310-X Rear left turning light | 1 | |

PROCEDURE:

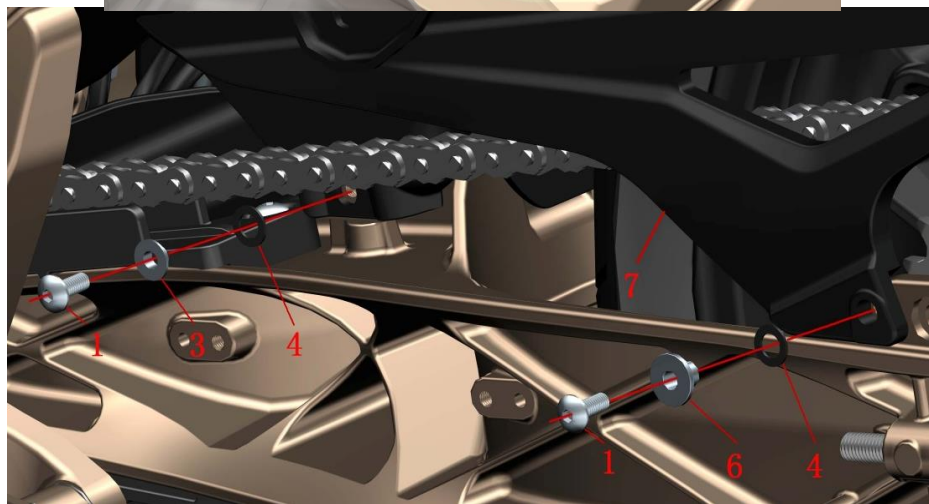
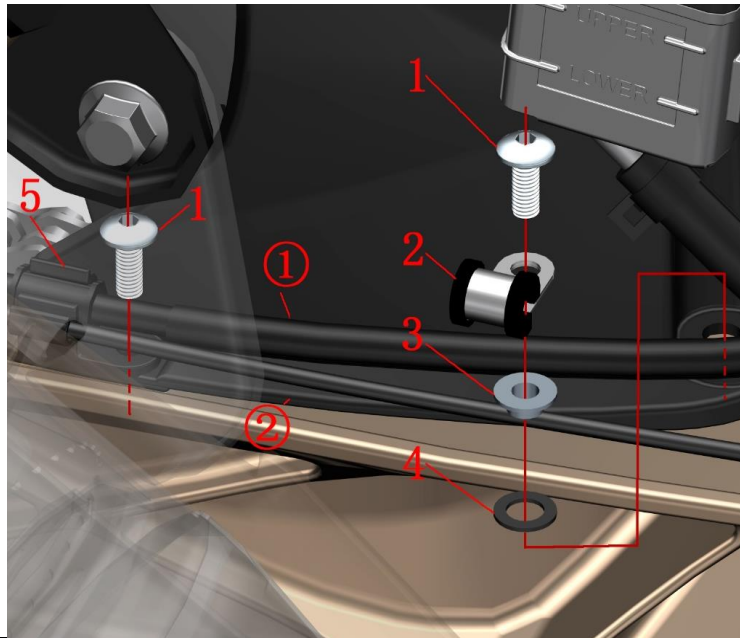
●Rear turning light (license lamp included)

Grip the rear turning light holder (6) then disassemble bolts(5) on the license lamp(7).

Disassemble 3pcs bolts(2) on the diagram left side, and then dismantle left fixing bracket(8) ;disassembly the screw(5) and then reomove the clip(4),take off the left turning light(9).Follow the steps above dismantle right fixing bracket(3), clip(4) and right turning light(1).

CAUTION:

●while reassembling,check there is any pressure on the cable,in case of causing short circuit when tighten the bolt.



| FIG.5 REAR FORKLIFT COMPONENT | | Rear inner mudguard | CHK | CAUTION |
|-------------------------------|----------------|--|-----|---------|
| | | | ADJ | |
| NO. | PART NO. | PART NAME | QTY | |
| 1 | 1251100-102000 | Non-standard bolts M6X16 (stainless steel) | 4 | |
| 2 | 1274100-088000 | ZT250-R rear disc brake oil pipe clamp (steel parts/ rubber pad) | 1 | |
| 3 | 1274100-155095 | Flanged bushing $\phi 6.2 \times \phi 8.4 \times 3.5 + \phi 14 \times 1.5$ (5 pcs/after- | 2 | |
| 4 | 1241200-124021 | flanging bushing buffer rubber ($\phi 8.5 \times \phi 14 \times 1$) (5 pcs/af | 3 | |
| 5 | 1224200-003000 | ZT310-Z Rear disc brake oil pipe clamp | 1 | |
| 6 | 1251700-059093 | Reverse bush $\phi 6.4 \times \phi 9 \times 8 + \phi 18 \times 2$ (color) | 1 | |
| 7 | 1251112-001093 | M6×16 Hexagon flange bolts (color zinc) | 1 | |
| 8 | 1224200-094000 | ZT310-Z rear inner mudguard | 1 | |

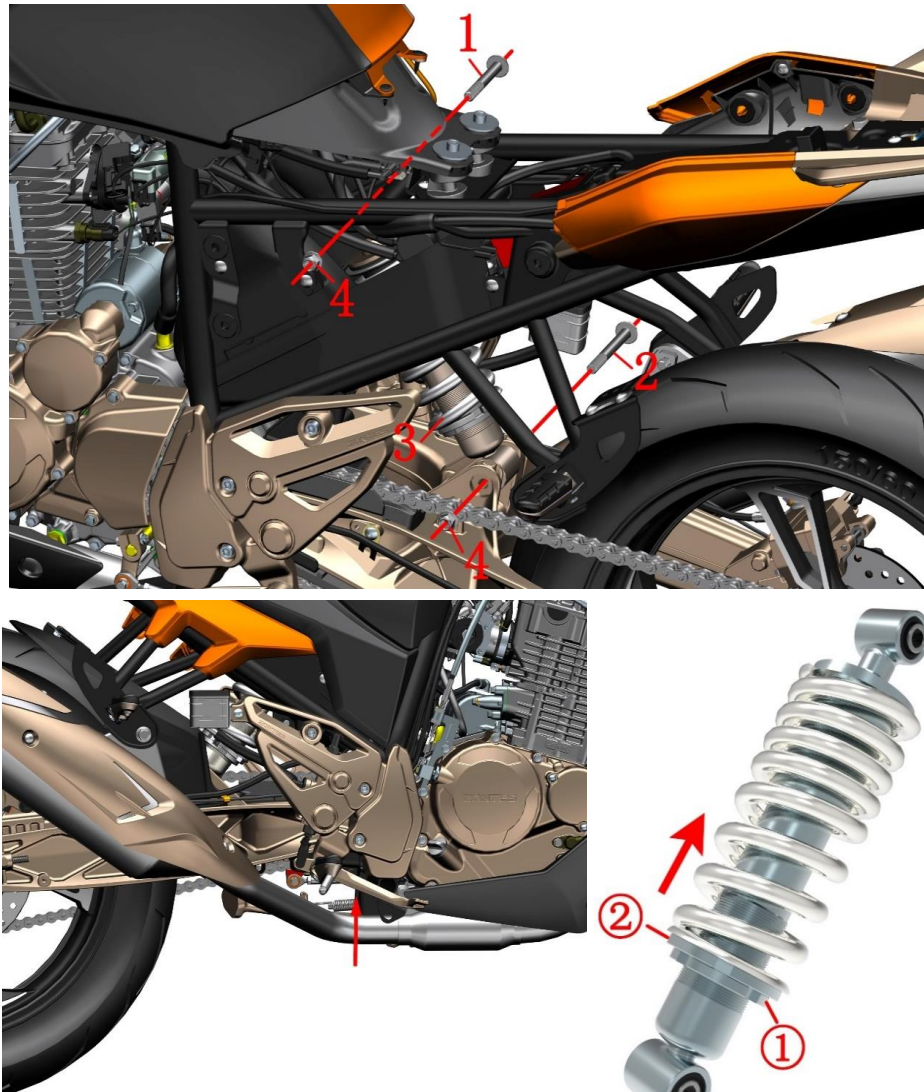
PROCEDURE:

●Rear inner mudguard

First of all, pull out the braking oil tube① and wheel speed sensor cable②, which are on the right side of rear inner mudguard, from the slot of rear disc brake oil tube cleat⑤. Remove the 4 bolts① with the inner hexagon tool, remove the rear disc brake pipe clamp (steel parts/ gluing pad)②, and the rear disc brake pipe clamp⑤, turn over the bush ③ and bush⑦, and turn over the liner. Buffer glue④. remove the rear inner fender ⑦).

CAUTION:

- Use suitable tools to support the motorcycle, in case of accidents caused by motorcycle falling down. Single person operating is prohibited.
- Stay alert throughout the process to prevent accidents.
- All standard parts must meet the standard torque value when reloading.



| FIG.6 REAR FORKLIFT COMPONENT | | Rear shock absorber | CHK | |
|-------------------------------|----------------|--|-----|--|
| NO. | PART NO. | | ADJ | |
| 1 | 1251100-085093 | Non-standard bolt M10×1.5×75(dacromet) | 1 | |
| 2 | 1251100-060000 | Non-standard bolts M10×1.5×90 | 1 | |
| 3 | 1114200-020000 | ZT310-X rear shock absorption (improved version) | 1 | |
| 4 | 1251300-057093 | Non-standard bolts M10X1.5 | 2 | |

PROCEDURE:

●Rear shock absorber

After the side bracket is lowered, one person's left hand will kill the direction to the left while the right hand grips and the foot pedals to tilt the vehicle to the left; the other person uses a wooden bench to press the muffler installation point on the right side of the vehicle (as shown in the lower left figure) to support the vehicle. The wheel is slightly off the ground. After the vehicle is supported, one person uses the sleeve to hold the heads of the bolts (1)and (2) respectively, and one person removes the nut (4) with a sleeve.

Person 1 shakes the rear wheel up and down slightly . Person 2 drags out bolt(2).

Person 1 holds the motorcyclefirmly . Person 2 lifts the rear shock absorber(3) towards the arrow direction and drag out bolt(1). Take off the rear absorber at last.

●Adjust the rear absorber

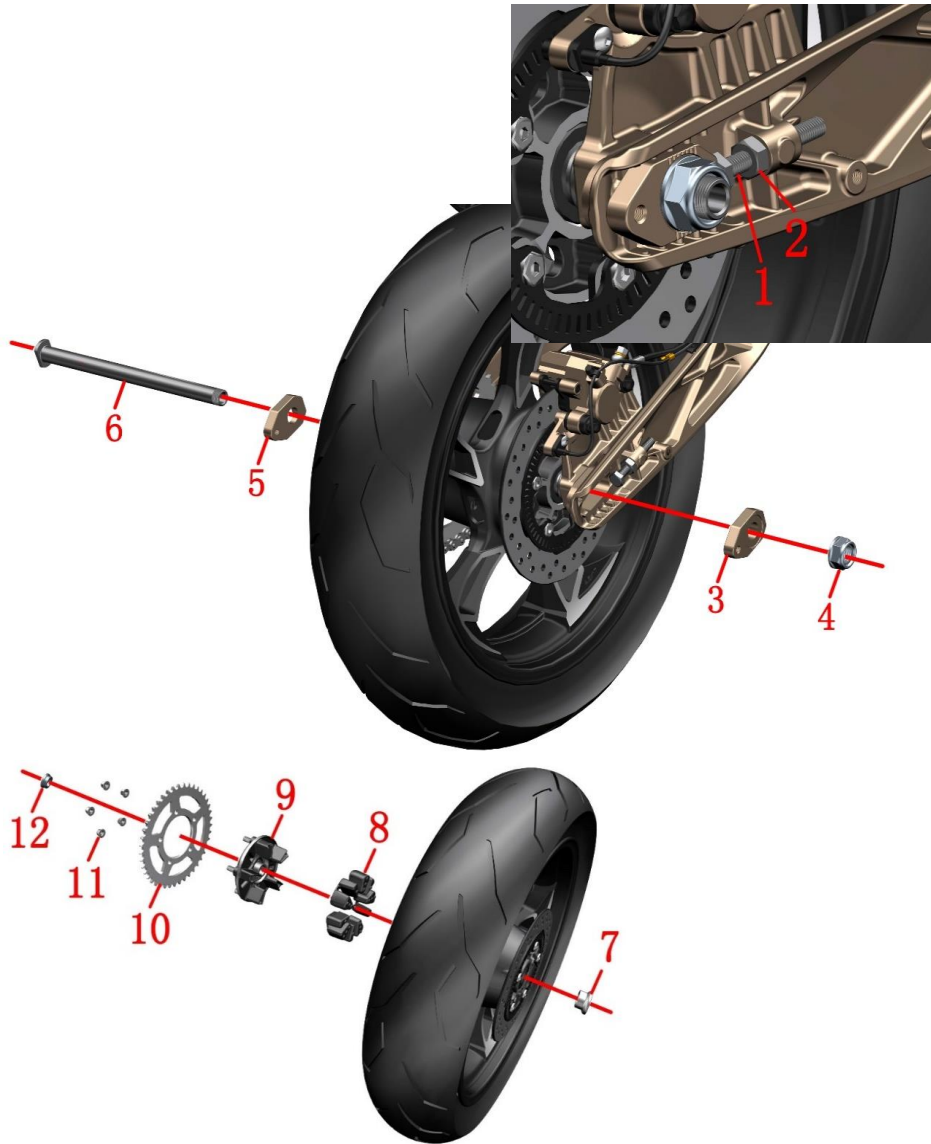
Use hook wrench to loosen adjustable nut① and rotate adjustable nut②. If the nut②is rotated towards the arrow direction, the spring becomes harder. Conversely, the absorber is softer. Tighten the adjustive nut① until the absorber is under suitable status. Please adjust in a reasonable range, riding experience would be influenced by either the absorber is too soft or too hard.

CAUTION:

- Need to disassemble cushion,left side cover, right side cover,bolts on front parts of rear skirt and rear inner fender etc.
- Use suitable tool to support the motorcycle. Avoid accidents caused by falling down. Single person operate it is prohibited.
- All the standard parts need to reach standard torque while reassembling.



| FIG.7 REAR FORKLIFT | Rear wheel component 1 | CHK | |
|---------------------|------------------------|-----|--|
|---------------------|------------------------|-----|--|



| COMPONENT | | rear wheel component 1 | ADJ | |
|-----------|----------------|---|-----|---------|
| NO. | PART NO. | PART NAME | QTY | CAUTION |
| 1 | 1251100-105000 | Adjuster bolts M10X70 (304 stainless steel) | 2 | |
| 2 | 1251300-050000 | Adjuster nut M10 (304 stainless steel) | 2 | |
| 3 | 1032142-073035 | ZT310 Right Chain adjuster (titanium Gold) | 1 | |
| 4 | 1251300-067000 | Right adjuster(Titanium) | 1 | 110N.m |
| 5 | 1032142-072035 | Left adjuster (Titanium) | 1 | |
| 6 | 1094100-032000 | ZT250-R Rear wheel hollow shaft | 1 | |
| 7 | 1274200-002000 | Rear wheel right shaft sleeve φ20×φ28×φ38×18.5 | 1 | |
| 8 | 1246500-025000 | KD200-C sprocket buffer rubber | 5 | |
| 9 | 1094200-011000 | ZT310 – R sprocket | 1 | |
| 10 | 1080100-068000 | ZT310 – T, 520 – 42 T sprocket | 1 | |
| 11 | 1251300-057093 | Non-standard bolts M10X1.5 | 5 | |
| 12 | 1274100-106000 | ZT250 – R rear wheel left sleeve φ20×φ30×φ35×12.9 | 1 | |

PROCEDURE:

● **Rear wheel assembly**

Disassemble rear wheel axle nut (4) with socket sleeve.

Use open spanner to move chain adjuster nut (2) on both sides towards rear wheel axle until they reach chain adjusting bolt (1). Then rotate the bolt and nut towards motorcycle front direction till the end.

Push rear wheel assembly towards motorcycle front direction and take off the chain from sprocket.

Tie firmly the rear disc brake clamp and avoid it to be lifted higher than disc brake oil cup. Hold the rear wheel assembly.

Punch rear wheel axle (6) with rubber hammer. Take off right chain adjuster (3), rear tire and rim assembly, left chain adjuster (5), the rear wheel axle (6). Disassemble the right axle sleeve (7), left axle sleeve (12) at last.

● **Sprocket bracket assembly**

Put down the rear wheel assemble horizontally. Take off nut (11) with socket sleeve. Take off sprocket (10); sprocket bracket (9). Pull out the sprocket gum cushion (8) from the rim.

CAUTION:

● Use suitable tool to support the motorcycle. Avoid accidents caused by falling motorcycle. Single person manipulation is prohibited.

● Using iron hammer to punch rear wheel axle, disc brake clamp assembly is prohibited.

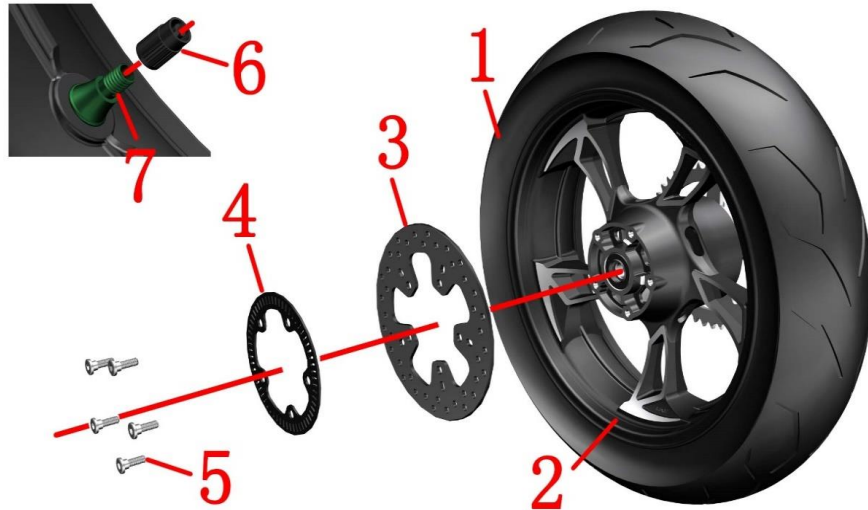
● While disassembling the rear wheel assemble, avoid the rear disc brake clamp to be lifted higher than the disc brake oil cup. If not, air will get into the tubes and cause softness or failure on braking system. As disc brake tubes request extremely high vacuum degree. Make sure manipulator has maintenance ability before disassembling the disc brake assembly.

● All the standard parts need to reach standard torque while reassembling.

● Check the chain regularly. Clean the chain every 1500km is suggested. Keep the tightness of chain to be in a suitable range. Too loose chain have possibility to separate from sprocket or damage the engine. Too tight chain can be worn out quickly.

● Wheel axle: Use dial indicator to check if it's deformed or bended.

| | | | |
|-------------------------------|------------------------|-----|--|
| FIG.8 REAR FORKLIFT COMPONENT | Rear wheel component 2 | CHK | |
| | | ADJ | |



| NO. | PART NO. | PART NAME | QTY | CAUTION |
|-----|----------------|--|-----|---------------|
| 1 | 1230100-207000 | 150/60R17TL environmental protection vacuum tire (CM609) | 1 | 250kPa |
| 2 | 1094200-020000 | ZT310—T black rear wheel rim(4.5×17) | 1 | orange/ gray |
| | 1094200-042063 | ZT310—R blue rear wheel 4.5 (4.5×17) | | special black |
| 3 | 1100100-419000 | ZT310—R1 rear brake disc (230×4.5) | 1 | |
| 4 | 1274200-058000 | ABS induction ring (60 teeth) | 1 | |
| 5 | 1251100-117093 | Non—standard inner hex bolt M8×25(color zinc) | 5 | |
| 6 | 1230200-006000 | HJ100—D tire valve cap | 1 | |
| 7 | 1230100-047000 | Environmental vacuum tyre valve spile(TR—412) | 1 | |

PROCEDURE:

● Disc brake plate, ABS gear ring

Disassemble bolt(5), Then take down the ABS gear ring(4) and the disc brake plate(3).

● Tire and rim assembly

Delphi EFI: Disassemble tire valve cap(6). Deflate the tire with tools. Then disassemble the rear tire(1) with professional tire changing machine. Disassemble the tire valve(7) with suitable tool.

● Maintenance

Tire: Check regularly the tire on cracks and air pressure. If the tire is ware to the marker, change the tire with same specification. See details in user manual. Ingradient of tire include semi hot melt rubber. Area with too high temperature is not suitable. If temperature of outdoor is too low, storing the motorcycle in warm place or indoor is suggested in order to avoid frost crack. Normal temperature standard 250kPa.

Rim: Check if the rim has deformation or crack. Support the rim horizontally and check if it can rotate smoothly. Specification of oil seal on rear rim is $\phi 47 \times \phi 28 \times 7$. Bearing type: 6204-2RS.

Disc brake plate: Thickness can not be less than 4mm. If not, change it.

CAUTION:

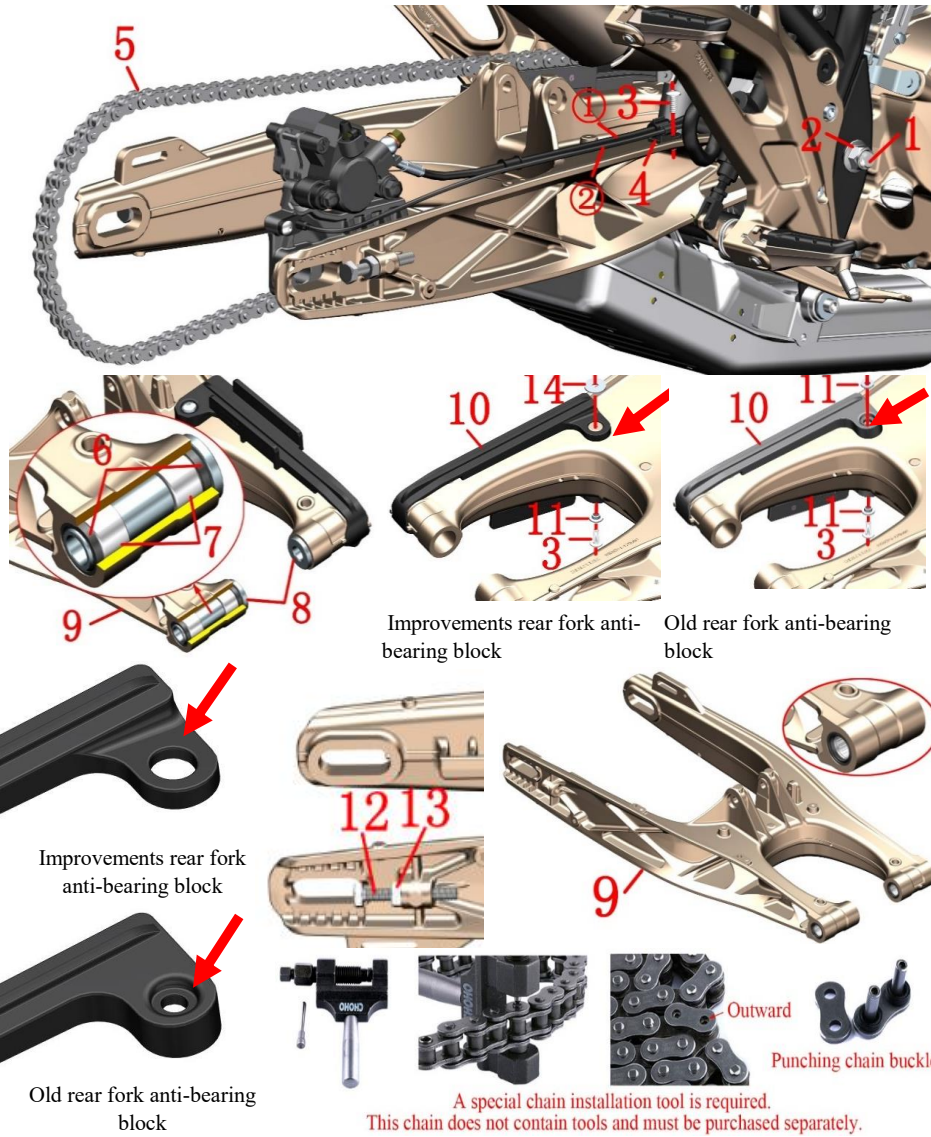
● Be careful when removing tires and rims to prevent damage.

● After replacing the tire, check for air leakage and balance.

● Defective tire repair may corrode the rim and cause safety hazards.

● Tire pressure may cause abnormal wear; There is a risk of excessive tire pressure in summer.

● After replacing the brake disc, it should be about 300 km to be fully integrated to achieve the best braking effect. Adequate braking distance should be set aside during grinding.



| FIG.9 REAR FORKLIFT COMPONENT | | Rear forklift component | CHK | Ⓚ |
|-------------------------------|----------------|--|-----|-----------------------------|
| | | | ADJ | |
| NO. | PART NO. | PART NAME | QTY | CAUTION |
| 1 | 1252200-016093 | 250 rear fork shaft φ14×310 (color zinc) | 1 | |
| 2 | 1251300-059093 | Rear fork shaft nut M14×1.5 (color zinc) | 1 | |
| 3 | 1251100-102000 | Non—standard bolt M6×16(304 stainless steel) | 3 | |
| 4 | 1224200-003000 | ZT310—Z Rear disc brake pipe clamp | 1 | |
| 5 | 1080200-032000 | ZT250—S chain(CHOHO520HX) | 1 | 【1】 |
| | 1080200-055000 | ZT250—R 114 section chain (CHOHO520HX/open type) | | |
| 6 | 1104100-005000 | ZT250—S oil—sealed TC20×26×4 | 4 | only for after-sale service |
| 7 | 1094100-001000 | ZT250—S needle bearing (HK2016) | 4 | |
| 8 | 1274100-009000 | ZT250—S rear fork shaft sleeve | 2 | |
| 9 | 4024100-024000 | ZT250 aluminum rear fork assembly(bearing/oil sealing) | 1 | |
| 10 | 1244100-066000 | Rear fork anti-bearing block | 1 | |
| 11 | 1274100-155095 | pcs/after-sale) | 2 | |
| 12 | 1251300-050000 | Adjuster nut M10 (304 stainless steel) | 2 | |
| 13 | 1251100-105000 | Adjuster bolts M10×70 (304 stainless steel) | 2 | |
| 14 | 1251500-097000 | Non—standard flat gasket φ6.5 × φ22 × 1.5 (1 protection color) | 1 | |

PROCEDURE:

● Rear fork assembly

Pull off the disc brake oil pipe①and wheel speed sensor② from the disc brake oil pipe clamp(4),loosen the bolt(3) and take off the disc brake oil pipe clamp.

The rear disc brake caliper is placed well and cannot be higher than the disc brake oil cup,as shown in left figure.

One person fastens the head of the rear fork shaft(1)with sleeve, and the other person remove the nut(2)with it.

One person holds the rear fork assembly and the other person removes the rear fork shaft(1) with suitable tool and then remove the rear fork assembly.

● Rear fork rear-resistant block

Remove the bolt(3),flanging bushing(1) with inner hexagon tool, and then remove the wear-resistant block(10)

Remove the chain adjuster bolt(12) and nut(13) with the open end wrench.

Put the rear fork bushing (8) inward and remove it.

Oil seal (6) and needle bearing (7) are used for interference compression.

Please ensure that you have the ability to disassemble and disassemble.

CAUTION:

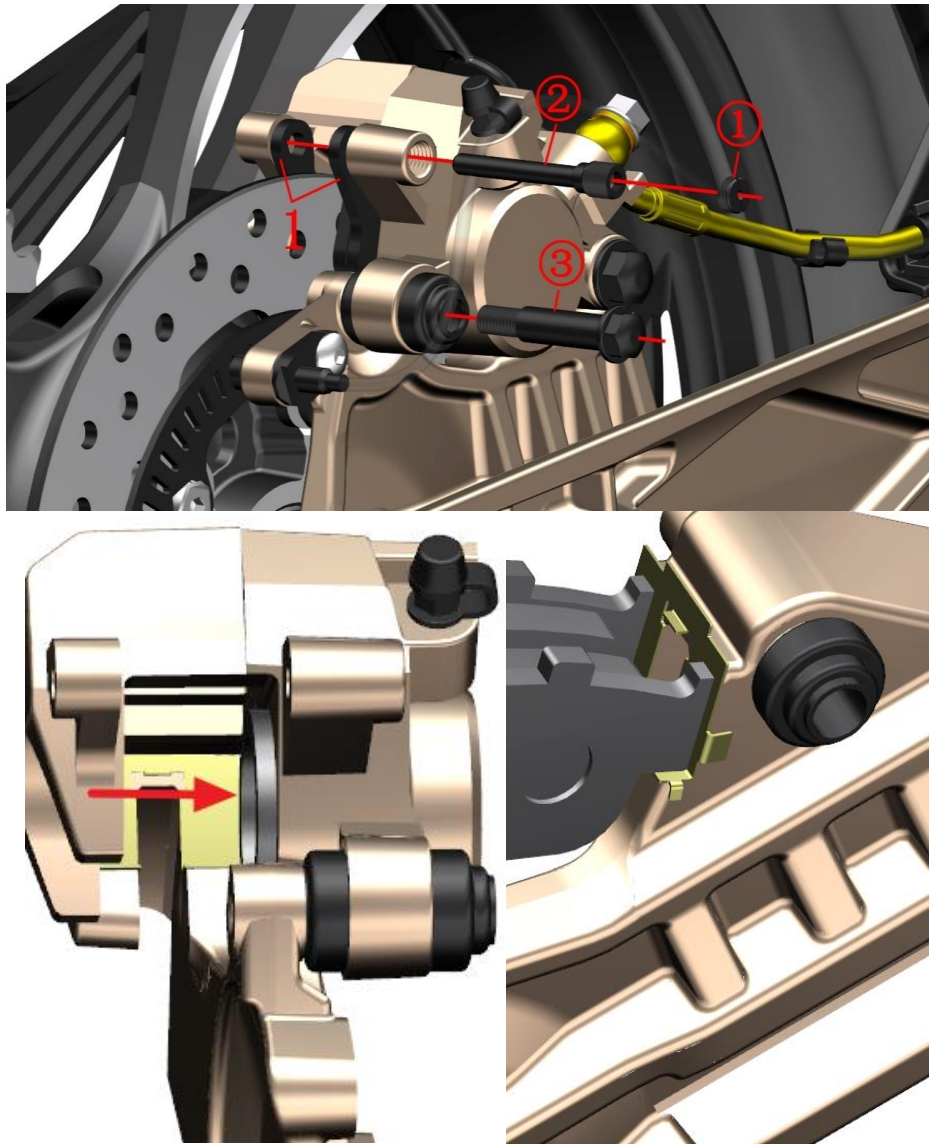
● Make sure the motorcycle is fixed during the process of discomponent.

● It is forbidden to use the hammer to tap the hollow shaft thread part of the rear wheel.

● The rear disc brake caliper must not be higher than the disc brake oil cup, otherwise the brake will become soft or fail due to air entering the pipeline. Because the brake line requires extremely high vacuum, it is necessary to ensure sufficient capacity for repair and disassembly.

● 【1】 The open type is convenient for replacing the chain after sale, and the original vehicle has no opening. A special chain installation tool is required, and the tool must be purchased by yourself.

● If your motorcycle manufactured before Set.2,2019,it's need to be accompanied by the purchase of non-standard flat mats(14)when replace Rear fork anti-bearing block (10).



| FIG.10 REAR FORKLIFT COMPONENT | | Change rear brake arresters | CHK | |
|--------------------------------|----------------|-----------------------------|-----|-------------|
| | | | ADJ | |
| NO. | PART NO. | PART NAME | QTY | CAUTION |
| 1 | 1100100-092000 | Rear disk brake shoe (HS10) | 1 | After sales |

PROCEDURE:

● Get rid of brake shoe

Remove the nut with a screwdriver ①.

Remove the pin shaft ② with the inner hexagon tool.

Use the sleeve to remove the sliding shaft ③.

Remove the rear disc brake (1).

● Replace brake shoe

Push the clamp piston to the end of the arrow, as shown in the lower left corner. In order to reduce the resistance, the cross bolts on the main pump oil cup can be removed before removing the upper cover and sealing rubber pad. After all, you should recover in time.

Replace the new disc brake disc, the brake disc must be stuck to the card slot, as shown in the lower right corner.

Lock the pin shaft ② with the inner hexagon tool.

Use the sleeve to lock the sliding shaft ③.

Lock the nut ① with a screwdriver.

Repeatedly step on the brake pedal until the braking force is restored.

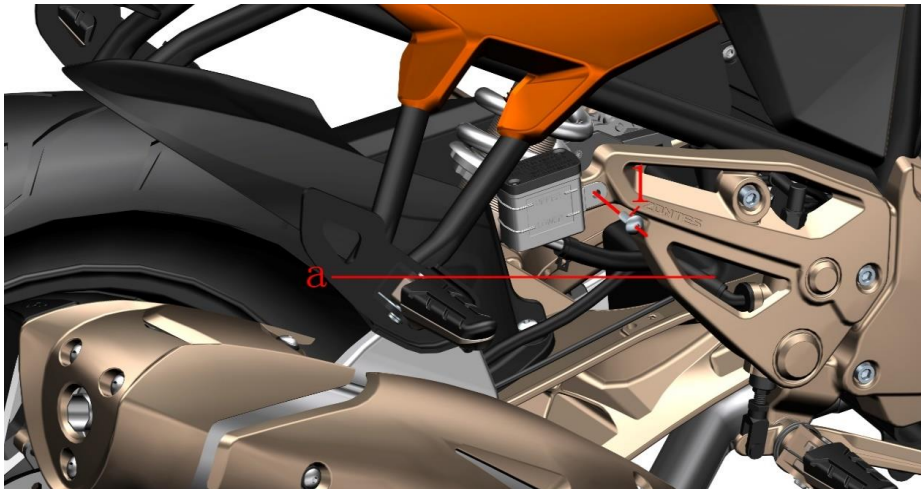
CAUTION:

● Check the brake disc and brake disc on a regular basis.

● It is suggested that the qualified maintenance unit should replace the brake disc in pairs.

● Please refer to the "pedal, shift lever assembly" for adjusting the height of the brake pedal to the appropriate position after replacement.

● After replacing the brake disc, it should be about 300 km to be fully integrated to achieve the best braking effect. Adequate braking distance should be set aside during grinding.



| FIG.11 REAR FORKLIFT COMPONENT | | Add the brake oil to the main pump or rear brake | CHK | |
|--------------------------------|----------------|--|-----|------------|
| | | | ADJ | |
| NO. | PART NO. | PART NAME | QTY | CAUTION |
| 1 | 1251100-102000 | Non-standard bolts M6c×16 (304 stainless steel) | 1 | |
| 2 | 3070100-008600 | Fully synthetic brake oil DOT4 (1L bottle) | 1 | 【1】 |

PROCEDURE:

● Add the brake liquid

Remove the bolts with the inner hex tool(1).

Pull out the oil cup(4) Should always remain above the line a, parallel to the ground, to prevent the gas from entering the oil road to cause brake failure.

Remove the bolts with the phillips screwdriver(1).

Remove the oil lid(2) seal the rubber pad(3).

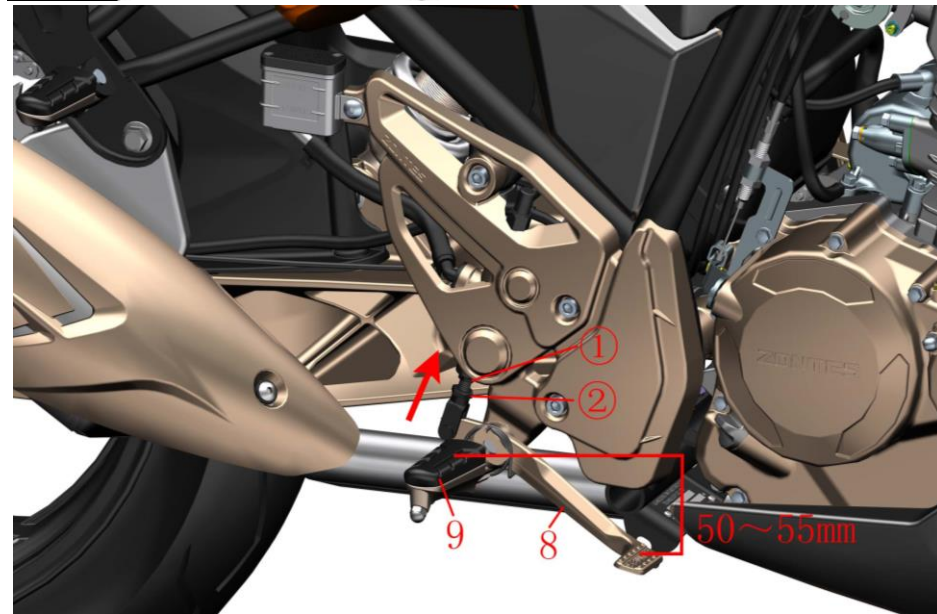
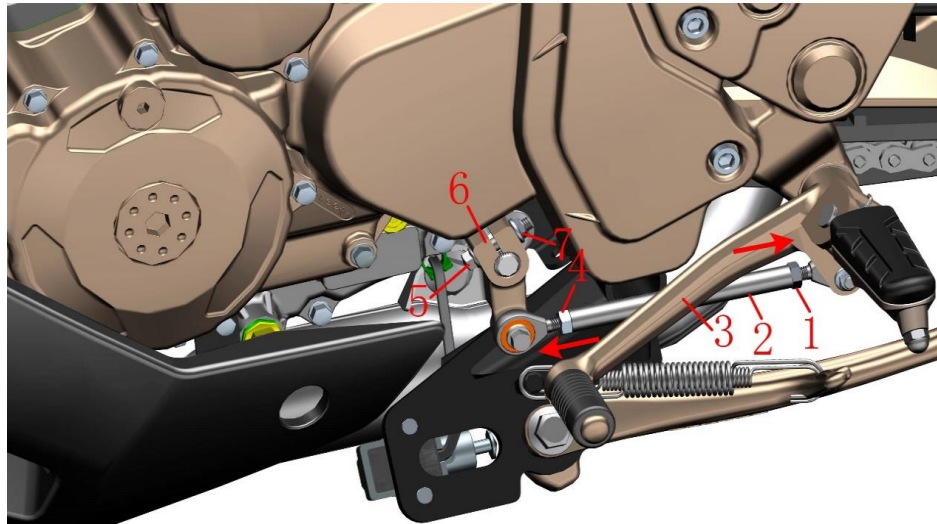
The top end of the oil cup(4) is basically parallel to the ground, adding DOT4 brake fluid; Make sure the liquid level is between "UPPER" and "LOWER".

Reset

Step on the brake pedal continuously and make sure that the motorcycle can be driven when the brake is back to normal.

CAUTION:

- The motorcycle level should be fixed and checked.
- Periodically check whether the liquid level of the brake fluid is between "UPPER" and "LOWER".
- If the liquid level is below "LOWER", check the brake disc wear condition and the brake system leakage first.
- If swallowed brake fluid, the poison control center or hospital should be contacted immediately; If eye contact, apply clean water and seek medical treatment immediately.
- Keep the brake fluid away from children and pets.
- Do not flush the oil cup directly with high pressure water.
- It is strictly prohibited to mix water, dust, impurities and liquids of silicic acid or petroleum systems, otherwise it will cause serious damage to the braking system.
- **【1】** Each bottle is 1 liter. It must be used in time after opening, and sealed and moisture-proof measures must be taken when storing; it is recommended not to exceed 1 month. Inferior or damp brake fluid will cause adverse effects on the braking system, and may cause brake failure when the impact is severe. Be sure to change the brake fluid at a maintenance shop with brake fluid replacement equipment and technology to avoid air entering the brake pipeline.



| FIG.1 PEDAL COMPONENT | | Pedal height adjustment | CHK | CAUTION |
|-----------------------|----------------|--|-----|---------|
| NO. | PART NO. | PART NAME | ADJ | |
| 1 | 1250301-018093 | GB6170M6—LH (environmental color) | 1 | |
| 2 | 1274100-096000 | ZT250—R shift lever adjustment screw | 1 | |
| 3 | 1274200-160000 | ZT310—T shift lever step rocker | 1 | |
| 4 | 1250301-049093 | GB6170M6 (environmental color)(5 pcs/after-sale) | 1 | |
| 5 | 1250104-016093 | GB16674M6×28 (chroming) | 1 | |
| 6 | 1274100-039000 | ZT250—S shift lever spline rocker arm | 1 | |
| 7 | 1250303-040093 | GB6177.1M6 (environmental color)(5 pcs/after-sale) | 1 | |
| 8 | 1274100-094000 | ZT250—R brake pedal | 1 | |
| 9 | 1274200-059000 | ZT310—X front right footrest | 1 | |

PROCEDURE:

●Shift lever height adjustment

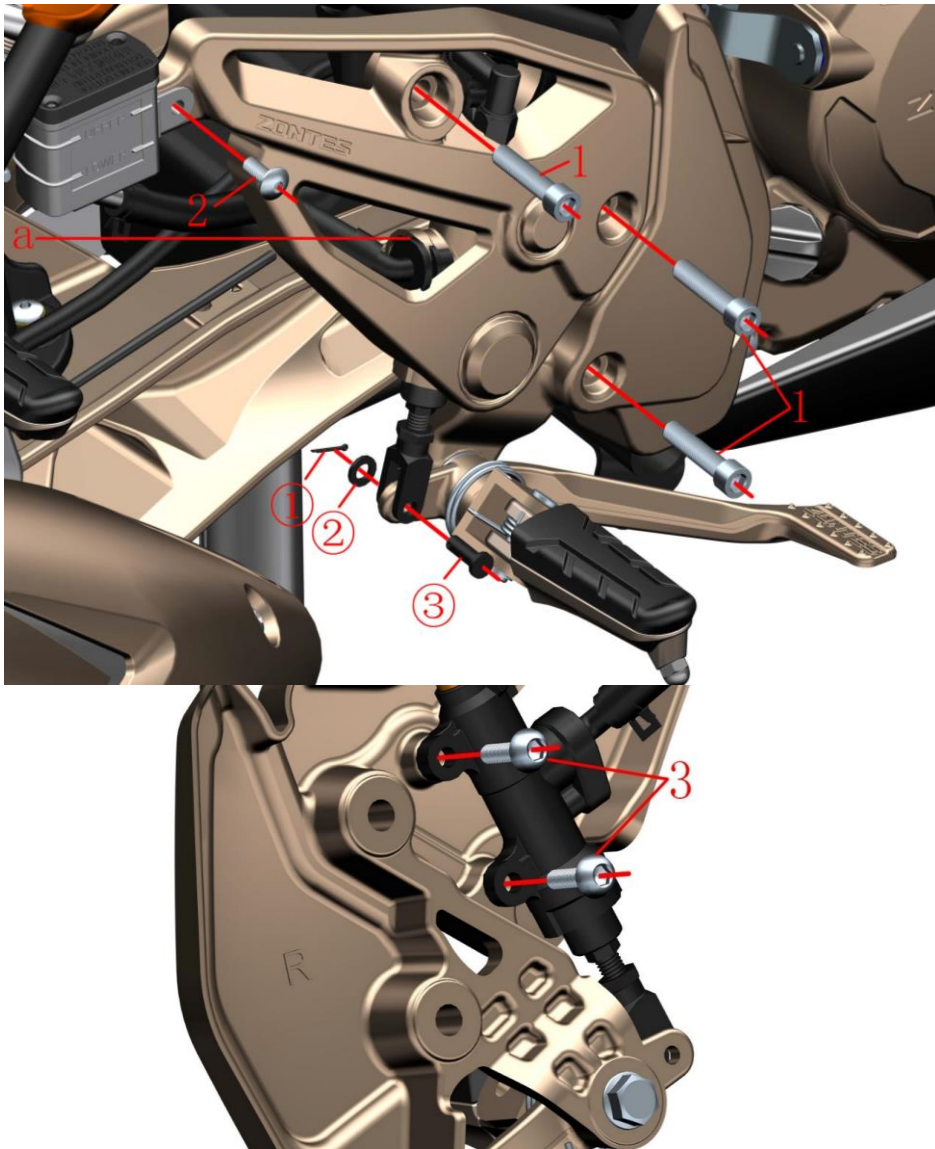
With open end wrench nut (1), nut (4), respectively, in the direction of the arrow to loosen, turn adjusting screw with 8 # open end wrench on the groove position adjustment to the appropriate height, then lock nut (1), nut (4). If above method suitable position once the nut, bolt (5) and (7) can be removed, use a screwdriver to spline radial (6) the middle slot open slightly pull out at the same time, transferred to the appropriate height after assembly, pay attention to align the middle of the spline grooves.

●Brake pedal height adjustment

With open end wrench nut (2) in the direction of the arrow to loosen, turn adjusting screw (1) to being stamped on the brake pedal (8) position control and the top of the foot (9) levies below 50 to 55 mm. The adjusting screw (1) fixed lock nut (2) again.

CAUTION:

- The motorcycle should be supported in the adjustment process to prevent accidental damage.
- The lever height of the shift lever should be reasonable, otherwise it will affect the driving experience.
- The brake pedal height should be reasonable, otherwise the brake disc and the brake disc will always have friction to affect the service life, which may lead to brake failure.



| FIG.2 PEDAL COMPONENT | | Right pedal support component-1 | CHK | |
|-----------------------|----------------|--|-----|---------|
| NO. | PART NO. | PART NAME | ADJ | |
| 1 | 1250205-023000 | GB70.1 inner hexagonal M8X35 (environmental color) | 3 | CAUTION |
| 2 | 1251100-102000 | Non-standard bolt M6×16(304 stainless steel) | 1 | |
| 3 | 1251100-121093 | Non-standard bolts M6X25 (environmental color) | 2 | |

PROCEDURE:

● Right foot pedal support component

Remove the bolt (2), the oil cup should always be kept higher than the line a parallel to the ground to prevent gas from entering the oil circuit and causing brake failure.

Use pliers to remove the opening pin ① and remove the washer ② and pin ③.

Remove the bolts (1) with the inner hex tool.

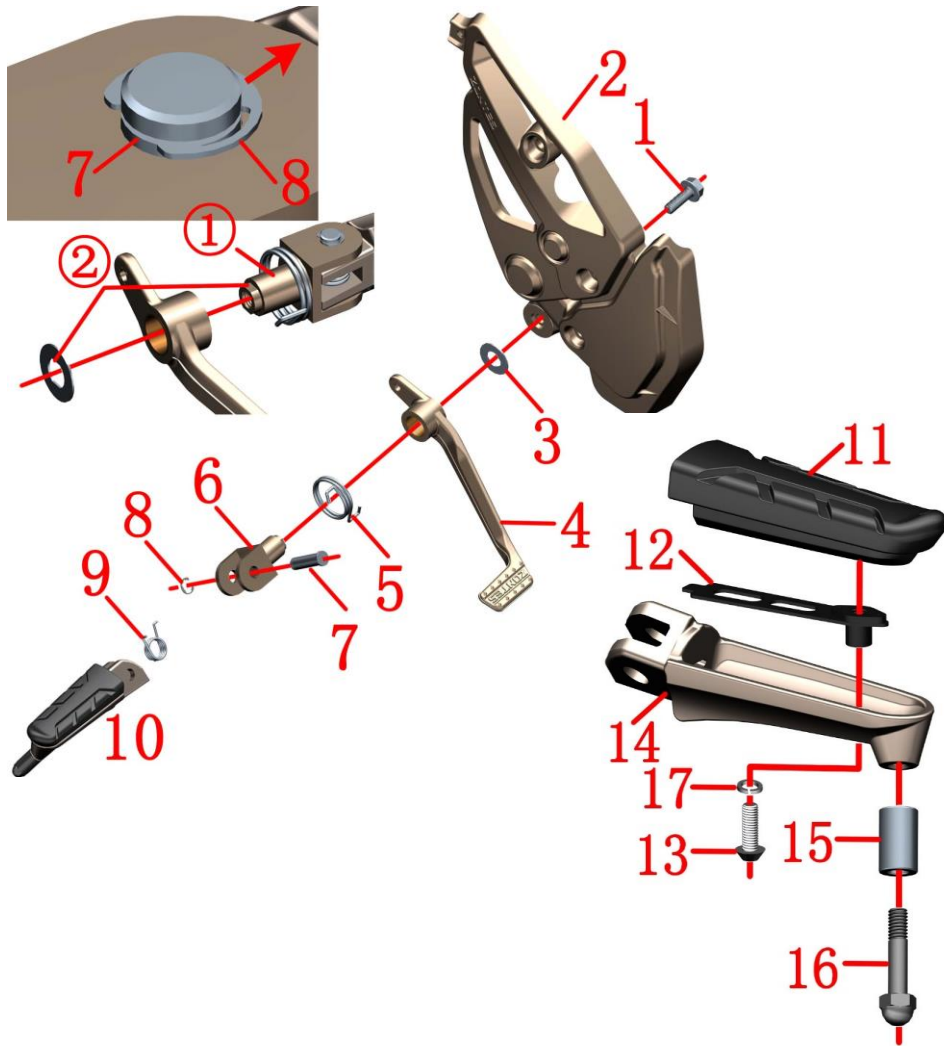
Turn the right foot bracket component to the back and remove the bolt (2).

CAUTION:

● When turning over to the back, protect the foot stand and the nearby parts to prevent scratches.

● When flipping, pay attention to force to prevent damage to the disc brake pipe.

● In the process of disassembly, the motorcycle should be properly supported to prevent accidental incline.



| FIG.3 PEDAL COMPONENT | | Right pedal support component-2 | CHK | CAUTION |
|-----------------------|----------------|---|-----|------------------------|
| | | | ADJ | |
| NO. | PART NO. | PART NAME | QTY | |
| 1 | 1251100-123093 | Non-standard bolts M8X25 (environmental color) | 1 | |
| 2 | 1274100-091000 | ZT250—R right foot pedal | 1 | |
| 3 | 1251500-048000 | ZT250—S Pedal support gasket | 1 | |
| 4 | 1274100-094000 | ZT250—R brake pedal | 1 | |
| 5 | 1260100-092000 | ZT250—S rake pedal torsional spring | 1 | |
| 6 | 1274100-035000 | ZT250—S Foot pedestal | 1 | |
| 7 | 1274100-012000 | ZT250—S Pedal pin | 1 | |
| 8 | 1264100-006000 | ZT250—S Pedal circlip | 1 | |
| 9 | 1264100-004000 | ZT250—S front right foot pedal torsional spring | 1 | |
| 10 | 1274200-185000 | ZT310—X front right pedal assembly (improved) | 1 | |
| 11 | 1244200-024000 | ZT310—X footrest gum cover | 1 | Pedal after sale parts |
| 12 | 1274200-051000 | ZT310—X footrest gum cover fixed plate | 1 | |
| 13 | 1250205-038000 | GB70.2M5×12(stainless steel) | 1 | |
| 14 | 1032142-042000 | ZT310—X front right pedal | 1 | |
| 15 | 1274200-254093 | Bush Φ12×Φ6×19 (environmental color) | 1 | |
| 16 | 1251100-224000 | Non—standard ball stud M6 × 26 | 1 | |
| 17 | 1250501-010000 | GB93φ6 spring pad | 1 | |

PROCEDURE:

●Front right pedal assembly

Use the tool to remove the circlip(8), remove the pedal pin(7),and then remove the front right pedal assembly(10) and the pedal torsion spring (9).

●brake pedal

Use a sleeve to remove the bolt (1), and pull out the pedal support (6) in the axial direction. Remove the spacer (3), the right foot pedal bracket (2); remove the brake pedal (4). Remove the brake pedal torsion spring (5).

●Foot aftersales service parts

Grasp the front right pedal (10), use a tool to remove the bolt (13), and remove the spring washer (17). Remove the rubber sleeve (11) and the fixing piece (12). Remove the bolt (16) and remove the bush (15).

CAUTION:

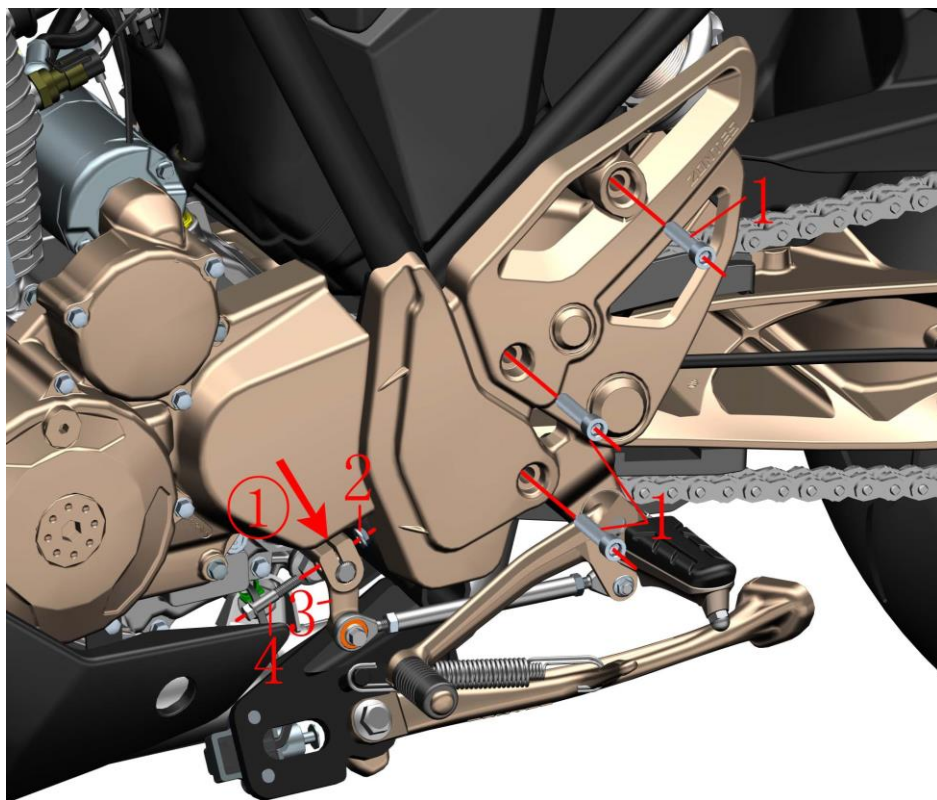
●Apply lubricating grease evenly on the surface of the pedal support of ① to reduce the resistance of the brake pedal.

●When reassembling, pay attention to the alignment of the support gasket and the support boss to fit in place, such as ②

●During the disassembly process, the vehicle support should be fixed to prevent accidents caused by dumping.

●When replacing the wearing parts with rubber pedals separately, make sure that the assembly is correct

●Motorcycles produced after March 11, 2020 will switch to new pedals.



| FIG.4 PEDAL COMPONENT | | Left pedal support component-1 | | CHK | CAUTION |
|-----------------------|----------------|--|-----|-----|---------|
| NO. | PART NO. | PART NAME | QTY | ADJ | |
| 1 | 1250205-023000 | GB70.1 inner hexagonal M8X35 (environmental color) | 3 | | |
| 2 | 1250303-040093 | GB6177.1M6 (environmental color)(5 pcs/after-sale) | 1 | | |
| 3 | 1274100-039000 | ZT250—S shift lever spline rocker arm | 1 | | |
| 4 | 1250104-016093 | GB16674M6×28 (chroming) | 1 | | |

PROCEDURE:

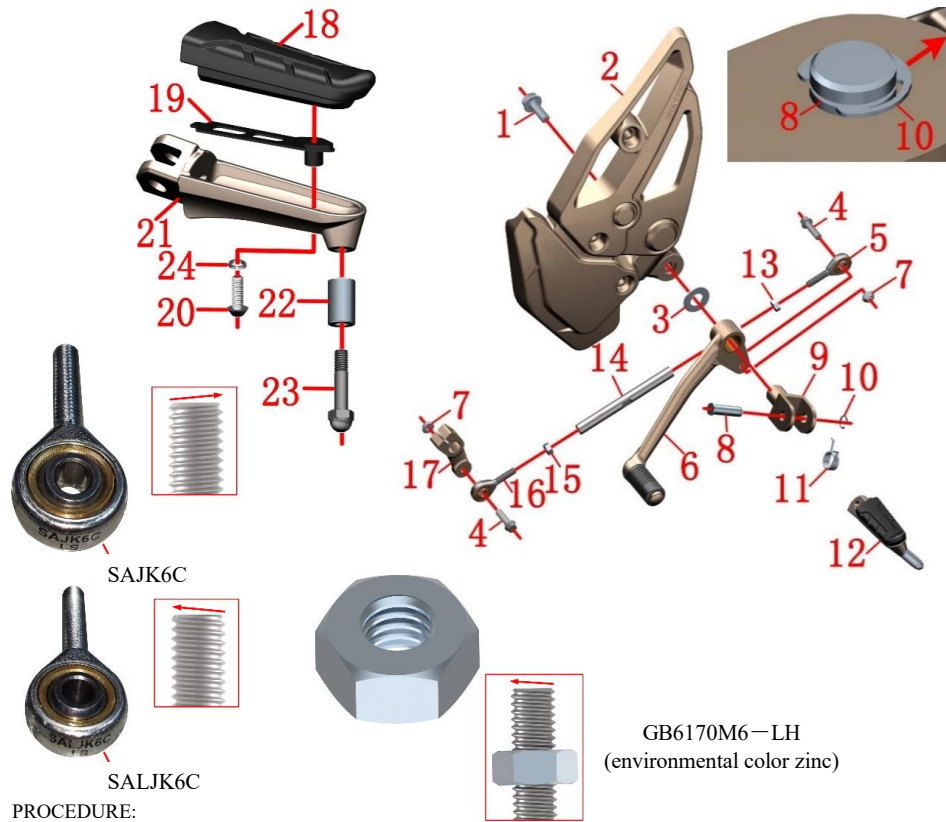
● Left foot pedal support component

Remove the nut (2) by using the spanner wrench, remove the bolt (4), and insert a screwdriver into the slot ① to push the spline rocker (3) slightly apart and pull it out from the engine shift shaft.

Remove the bolts (1) with the inner hexagon tool and remove the left foot support components.

CAUTION:

- Open the spline rocker arm to take care of the strength to prevent damage.
- In the process of disassembly, the motorcycle should be properly supported to prevent accidental incline.



PROCEDURE:

●Front left foot pedal

Remove the tool to remove the card spring (10), the foot pin shaft (8) will be removed, then the front left foot step (12), foot twist spring (11)

●Shift lever component

Remove the bolt (1) with a plum spanner and pull the foot support (9) in the direction outward. Remove the support pad(3) and the left foot bracket (2); Remove the shift lever assembly.

Once with a ring spanner remove the nut (7), bolt (4), the shift lever treadle rocker rocker arm (6), shift lever key rocker arm (7) removed.

Loosen the nut (13)、(15) with the open spanner, remove the adjusting rod (14),and then separate the joint bearing(5)、(16).Finally,Remove the nut(13)、(15)。

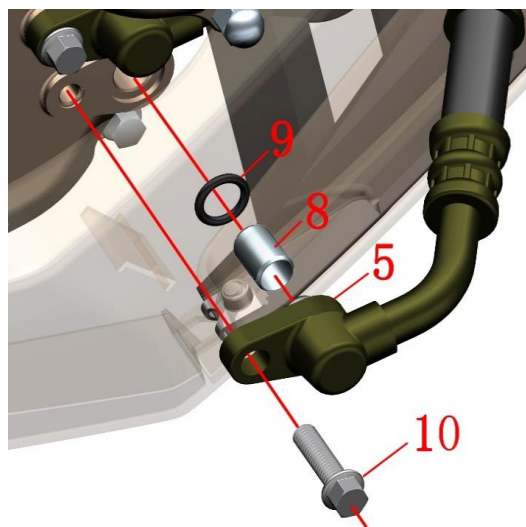
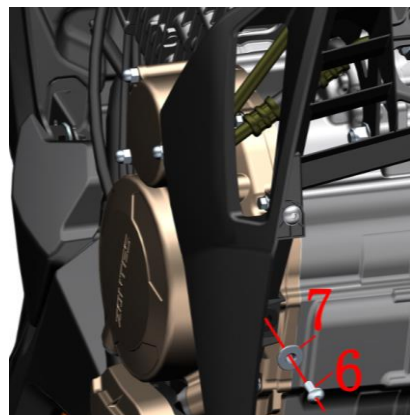
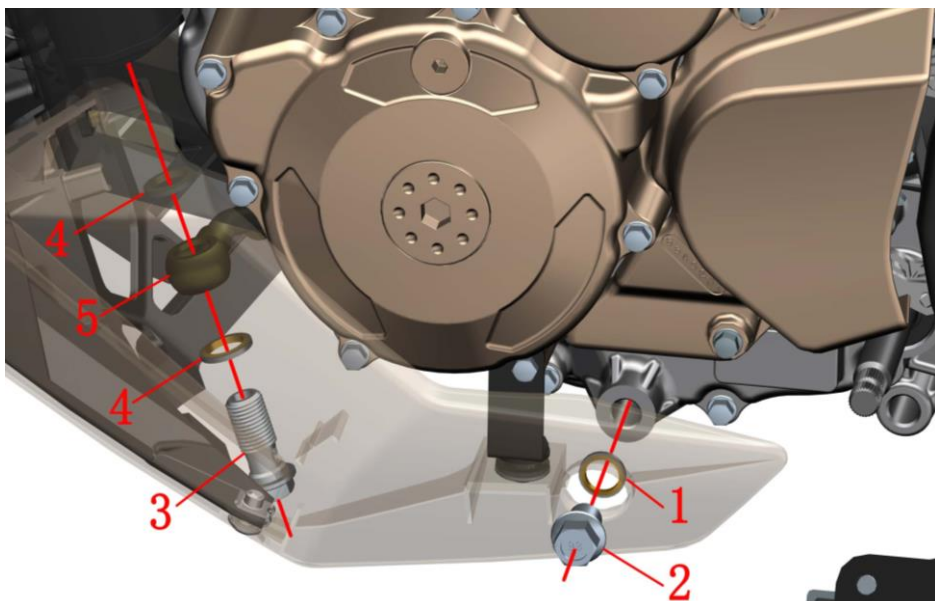
●Foot pedal with rubber for after sales service

Hold the left front pedal(21), and remove the bolt (20)with tool, .Remove the spring pad(24)、 rubber sleeve (18)、 fixing piece(19)、 left pedal(21)。 Remove the bolt(23), then take off the bushing (22) .

| FIG.5 PEDAL COMPONENT | | Left pedal support component-2 | CHK | CAUTION |
|-----------------------|----------------|--|-----|------------------|
| NO. | PART NO. | PART NAME | ADJ | |
| 1 | 1251100-123093 | Non-standard bolts M8X25(environmental color) | 1 | |
| 2 | 1274100-092000 | ZT250-R left foot pedal | 1 | |
| 3 | 1251500-048000 | ZT250-S Pedal support gasket | 1 | |
| 4 | 1251100-061093 | Hexagonal flange bolts (environmental color zinc) | 2 | |
| 5 | 1274100-043000 | Miniature rod end ball bearing SALJK6C | 1 | |
| 6 | 1274200-160000 | ZT310-T shift lever step rocker | 1 | |
| 7 | 1250303-040093 | GB6177.1M6 (environmental color)(5 pcs/after-sale) | 2 | |
| 8 | 1274100-012000 | ZT250-S Pedal pin | 1 | |
| 9 | 1274100-035000 | ZT250-S Foot pedestal | 1 | |
| 10 | 1264100-006000 | ZT250-S Pedal circlip | 1 | |
| 11 | 1264100-003000 | ZT250-S front left foot pedal torsional spring | 1 | |
| 12 | 1274200-193000 | ZT310-X front left pedal assembly (improved) | 1 | |
| 13 | 1250301-018093 | GB6170M6-LH (environmental color zinc) | 1 | |
| 14 | 1274100-096000 | ZT250-R shift lever adjustment screw | 1 | |
| 15 | 1250301-049093 | GB6170M6 (environmental color)(5 pcs/after-sale) | 1 | |
| 16 | 1274100-042000 | Miniature rod end ball bearing SAJK6C | 1 | |
| 17 | 1274100-039000 | ZT250-S shift lever spline rocker arm | 1 | |
| 18 | 1244200-024000 | ZT310-X footrest gum cover | 1 | Foot sales parts |
| 19 | 1274200-051000 | ZT310-X footrest gum cover fixed plate | 1 | |
| 20 | 1250205-038000 | GB70.2M5×12(stainless steel) | 1 | |
| 21 | 1032142-041000 | ZT310-X front left pedal | 1 | |
| 22 | 1274200-254093 | Bush Φ12×Φ6×19 (environmental color) | 1 | |
| 23 | 1251100-224000 | Non-standard ball stud M6 × 26 | 1 | |
| 24 | 1250501-010000 | GB93φ6 spring pad | 1 | |

CAUTION:

- In the process of removing, you should fix the bike to prevent from the accident.
- Pay attention to the hexagonal nuts at both ends of the joint bearing and adjusting rod (the right hand side of the engine shift shaft, near the foot to the left) when reassembling.
- Pay attention to the alignment of the support gasket and the support flange to assemble in place.
- It can reduce the resistance of Shift lever rocker arm by applying lubricating grease evenly on the surface of foot support cylinder.
- Since 20th Mar 2020,add a spring washer(24) prevent the pedal rubber sleeve from loosening.



| FIG.1 RADIATOR SYSTEM COMPONENT | | Release the engine oil | CHK | |
|---------------------------------|----------------|--|-----|---------|
| NO. | PART NO. | PART NAME | ADJ | |
| 1 | 1244100-033000 | Combined sealing gasket12×φ20×2 | 1 | |
| 2 | 1251100-066093 | M12×1.5×15 oil drain bolt (color zinc) | 1 | 24±4N.m |
| 3 | 1251100-089094 | Oil bolt M14×1.50×32(color zinc) | 1 | |
| 4 | 1244100-034000 | Combination sealing gasket φ14×φ20×2 | 2 | |
| 5 | 1244100-070000 | Engine oil intake pipe | 1 | |
| 6 | 1251100-102000 | Non-standard bolts M6×16 (304 stainless steel) | 1 | |
| 7 | 1274101-015000 | ZT250-S flanging sleeve(φ6.4×φ9×6+φ20×2)(5 pcs/af | 1 | |
| 8 | 1251401-013000 | φ10×14 dowel pin(5 pcs/after-sale) | 1 | |
| 9 | 1051454-014000 | 9.8×2.5 Acrylate rubber o-rings | 1 | |
| 10 | 1251100-061093 | M6×22 Hex flang bolt thread level 8.8 (color zinc) | 1 | |

PROCEDURE:

●Put on the engine oil

Place the oil pan at the bottom, use the sleeve to remove the oil bolt (2) and combination sealing gasket (1), and then remove the remaining oil in the engine. Remove the oil bolts (3) and the sealing gasket (4) to remove the oil from the frame tube. Clean all the material with a clean non-woven cloth. Refer to the instructions for detailed steps to replace the oil.

●Right lower fairing cover

Use the inner hex tool to remove the bolts (6) and the flange (7). The guide cover should not be removed completely.

●Engine oil intake pipe

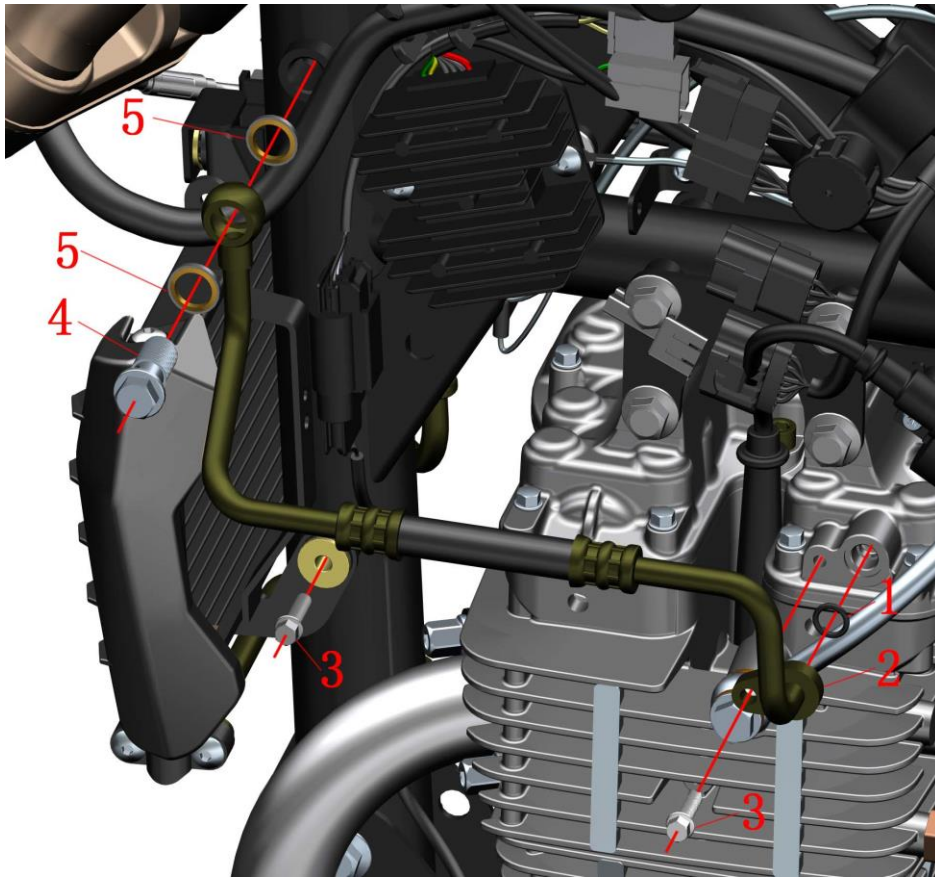
Remove the bolt (9) with the sleeve, pull the engine into the tubing (5) and pull it out, and remove the O-shape ring (9) and the pin(8).

CAUTION:

●It is strictly forbidden to remove the cooling system in the heat engine, and it should wait for the engine and muffler to completely cool down before it can be removed.

●The waste oil needs to be uniformly recovered and returned to the qualified institutions; It is forbidden to dump pollution or water sources at will.

●It is recommended to replace the oil in the oil at the same time and replace the oil bolts, combination gasket and O-shape ring to prevent oil leakage.



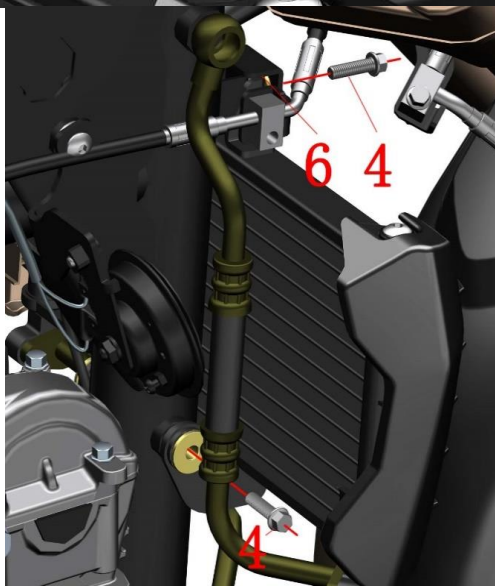
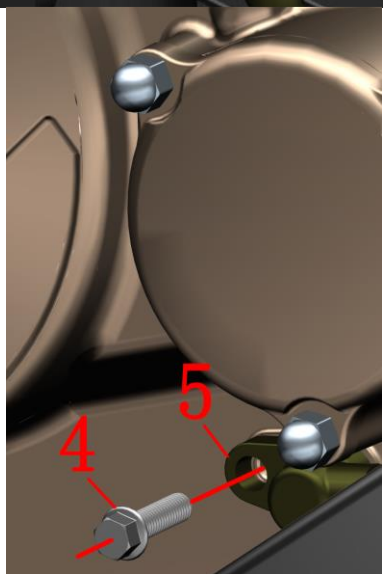
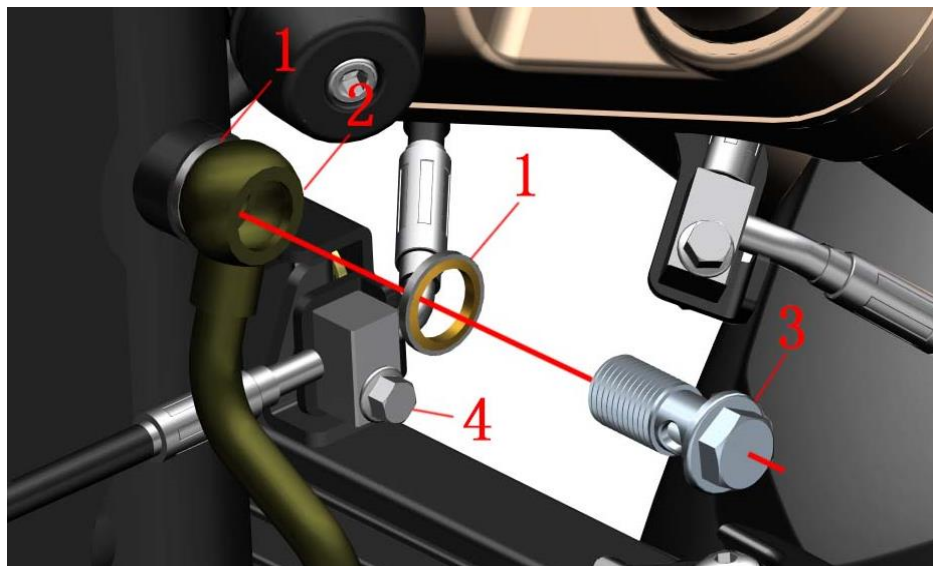
| FIG.2 RADIATOR SYSTEM COMPONENT | | The oil pipe near the frame | CHK | |
|---------------------------------|----------------|---|-----|---------|
| NO. | PART NO. | PART NAME | ADJ | |
| 1 | 1051454-014000 | 9.8×2.5 Acrylate rubber o—rings | 1 | CAUTION |
| 2 | 1244100-071000 | ZT250—R Frame bypass oil pipe | 1 | |
| 3 | 1251100-061093 | M6×22 Hex flang thread bolt | 2 | |
| 4 | 1251100-089094 | Oil bolt M14×1.50×32 (environmental zinc) | 1 | |
| 5 | 1244100-034000 | Combination seal gasketφ14×φ20×2 | 2 | |

PROCEDURE:

- Frame bypass oil pipe
Remove oil bolt (4) and combination seal gasket (5) with sleeve.
Remove the bolt (3) near the engine with a sleeve. Then remove the frame bypass tube, and finally remove the O-shape ring (1).
- Remove the bolt (3) near the muffler elbow upward side with a sleeve. If you do not need to remove the heat dissipation assembly, do not remove the bolt.

CAUTION:

- It is forbidden to disassemble the heat dissipation system when it is warmed up. Wait for the engine and muffler to cool completely before disassembling.
- The waste oil needs to be recycled and handed over to a qualified organization; it is forbidden to dump the polluted environment or water at will.
- Violation is strictly prohibited when removing the bypass pipe from the frame so as to avoid deformation of the sleeve.
- It is recommended to replace oil drain bolts, combination seal gasket, and O-shape ring to prevent oil leakage every time you change the oil.



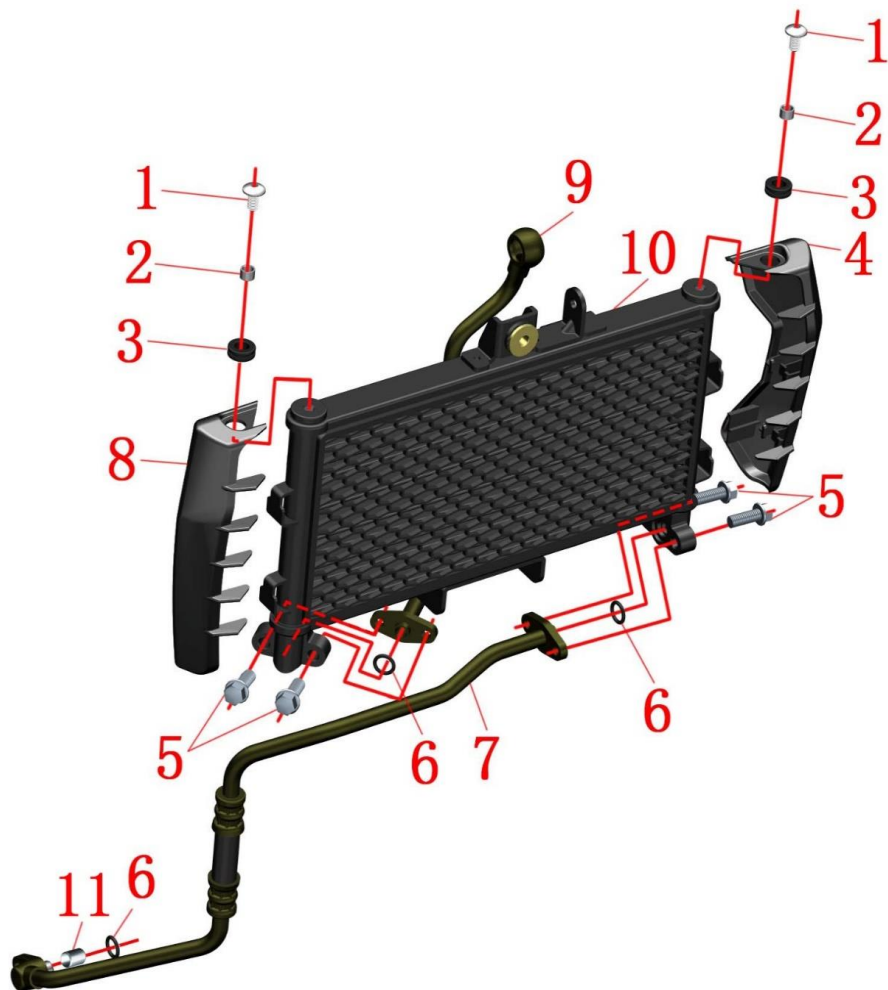
| FIG.3 RADIATOR SYSTEM COMPONENT | | Radiator component-1 | CHK | CAUTION |
|---------------------------------|----------------|---|-----|---------|
| NO. | PART NO. | PART NAME | ADJ | |
| 1 | 1244100-034000 | Combination seal gasket $\phi 14 \times \phi 20 \times 2$ | 2 | |
| 2 | 1244100-069000 | ZT250-R Oil cooler outlet pipe | 1 | |
| 3 | 1251100-089094 | Oil bolt M14×1.50×32 (environmental color zinc) | 1 | |
| 4 | 1251100-061093 | M6×22 Hex flang bolt thread level 8.8 (color zinc) | 3 | |
| 5 | 1244100-068000 | ZT250-R Oil cooler inlet pipe | 1 | |
| 6 | 1274100-079000 | ZT250-R Front disc brake tube bracket 2 | 1 | |

PROCEDURE:

- Oil cooler outlet pipe
Remove the oil bolt (3) with a sleeve and remove the seal gasket (1).
Remove the bolt (4) with a tool.
- Oil cooler inlet pipe
Remove the bolt (4) with the sleeve and pull the connector of the oil cooler inlet pipe (5) outward in the axial direction.
- Heat dissipation assembly
Remove the bolt (4) near the bottom of the heat dissipation with a sleeve; then remove the bolt (4) on the front of the heat dissipation and remove the tube bracket (6). Remove the heat dissipation assembly.

CAUTION:

- It is forbidden to disassemble the heat dissipation system when it is warmed up. Wait for the engine and muffler to cool completely before disassembling.
- The waste oil needs to be recycled and handed over to a qualified organization; it is forbidden to dump the polluted environment or water at will.
- When disassembling the oil cooler inlet pipe, violent operation is strictly prohibited to avoid deformation of the liner.
- It is recommended to replace oil drain bolts, combination seal gasket, and O-shape ring to prevent oil leakage every time you change the oil.



| FIG.4 RADIATOR SYSTEM COMPONENT | | Radiator component-2 | CHK | CAUTION |
|---------------------------------|----------------|---|-----|---------|
| NO. | PART NO. | PART NAME | ADJ | |
| 1 | 1251100-101000 | Non-standard bolt M6×12 (304 stainless steel) | 2 | |
| 2 | 1274100-018000 | ZT250-S Muffler anti-hot plate bushing | 2 | |
| 3 | 1246400-317000 | ZT368T-G muffler hot plate rubber buffer(5 pcs/after-s) | 2 | |
| 4 | 4044101-004036 | ZT250-R oil cooler left decorative cover (dark gray) | 1 | |
| 5 | 1251100-102000 | Non-standard bolt M6×16 (304 stainless steel) | 4 | 【1】 |
| | 1251112-001093 | M6×16 Hexagon flange bolts (color zinc) | | |
| 6 | 1051454-014000 | 9.8×2.5Acrylate rubber o-rings | 3 | |
| 7 | 1244100-068000 | ZT250-R Oil cooler inlet pipe | 1 | |
| 8 | 4044101-005036 | ZT250-R oil cooler right decorative cover (dark gray) | 1 | |
| 9 | 1244100-069000 | ZT250-R Oil cooler outlet pipe | 1 | |
| 10 | 1274100-084000 | ZT250-R Oil cooler | 1 | |
| 11 | 1251401-013000 | φ10×14 dowel pin(5 pcs/after-sale) | 1 | |

PROCEDURE:

● Oil cooler trim cover

Remove the bolt(1) with the hexagonal tool; remove the left trim cover(4) and the right trim cover(8). Push the bushing(2) out of the buffer(3) and remove the buffer from the trim cover

● Oil cooler inlet pipe

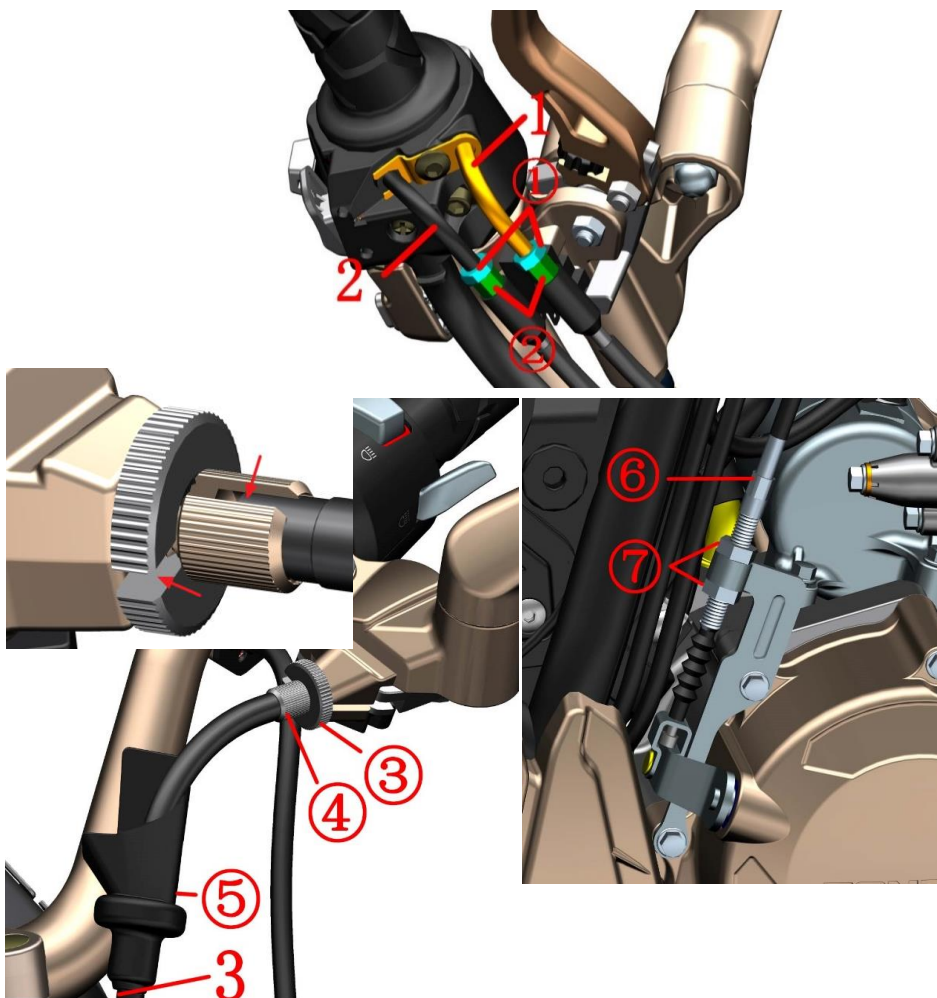
Remove the bolt(5) with the 4# hexagon socket or 8# sleeve, separate the oil inlet pipe(7) from the oil cooler(10), and remove the O-shape rings(6) at both ends.

● Oil cooler outlet pipe

Remove the bolt(5) with the 4# hexagon socket or 8# sleeve, separate the oil outlet pipe(9) from the oil cooler(10), and then remove the O-shape ring(6).

CAUTION:

- It is forbidden to disassemble the heat dissipation system when it is warmed up. Wait for the engine and muffler to cool completely before disassembling.
- The waste oil needs to be recycled and handed over to a qualified organization; it is forbidden to dump the polluted environment or water at will.
- When disassembling the oil cooler inlet pipe, violent operation is strictly prohibited to avoid deformation of the liner.
- It is recommended to replace oil drain bolts, combination seal gasket, and O-shape ring to prevent oil leakage every time you change the oil.
- 【1】 The bolts(5) switch from the inner hexagon to the outer hexagon in early November 2021.



| FIG.1 FRONT FORK COMPONENT | | Throttle/clutch cable clearance adjustment, light height adjustment | CHK | |
|----------------------------|----------------|---|-----|--|
| NO. | PART NO. | | ADJ | |
| 1 | 1154100-013000 | ZT250-R throttle accelerating cable (II) | 1 | |
| 2 | 1154100-014000 | ZT250-R return line (II) | 1 | |
| 3 | 1154100-012000 | ZT250-R clutch line (II) | 1 | |

PROCEDURE:

● Throttle line

Use an open-end wrench to loosen the lock nut① on the throttle refueling line(1) or the return line(2), and turn the adjustment bolt② to adjust the clearance to 2 to 4 mm. After adjusting the lock nut①.

● Clutch line

Fine adjustment:

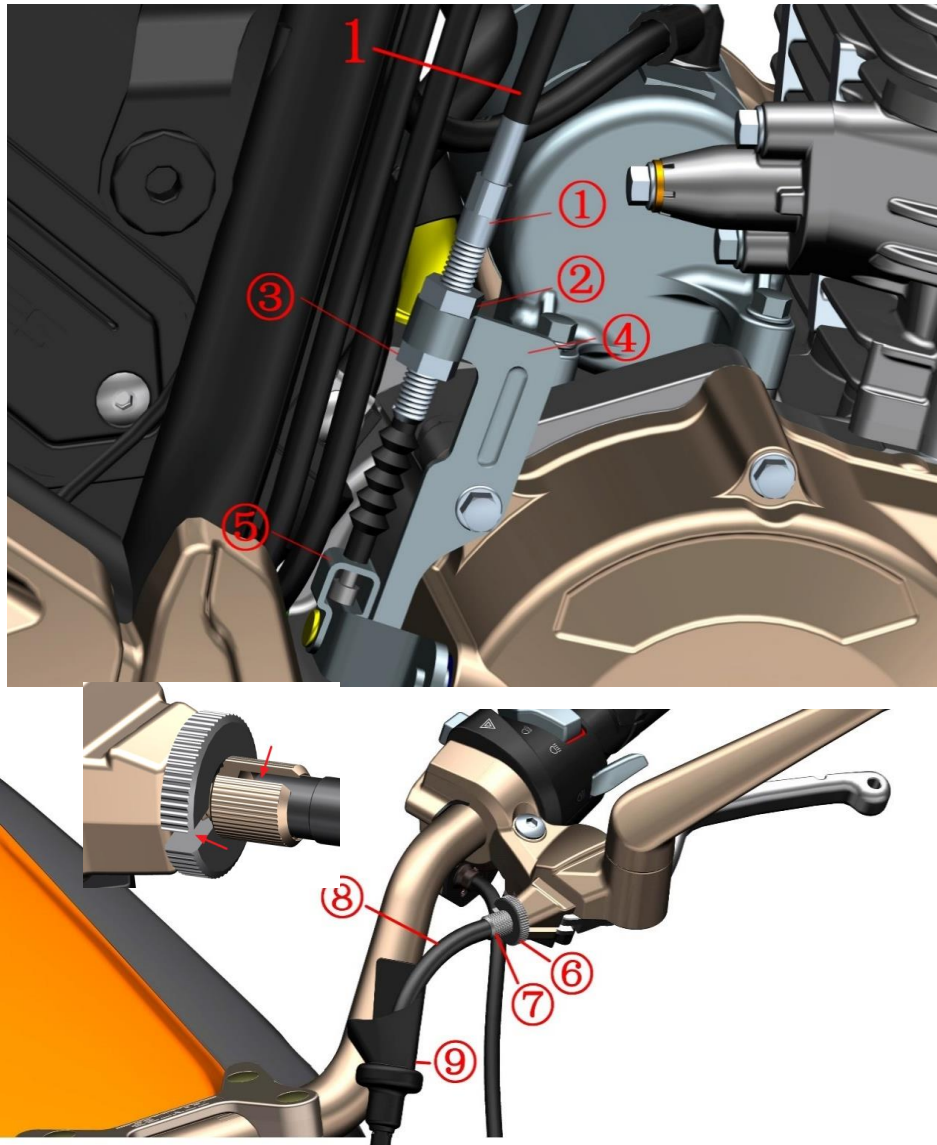
Lift the protective rubber sleeve⑤ on the clutch rocker arm to the elbow of the clutch line(3), loosen the bolt ③ with pliers, rotate the adjustment bolt④, finally lock the bolt③, and then reset the dust jacket. Adjust the bolt ③, adjust the bolt④ and the rocker seat slot should be staggered position to prevent the cable from coming out.

Big adjustment:

If fine adjustment cannot be achieved, loosen bolt ⑦ with open-end wrench, rotate adjustment bolt⑥, and finally lock bolt ⑦ again.

CAUTION:

- The motorcycle support should be fixed during disassembly to prevent accidents caused by incline.
- Throttle line adjustment need to pay attention to the following:
 - After adjustment, ensure that the throttle can be reset automatically. It is forbidden to increase the engine idle speed due to adjustment of the line.
 - No engine idle increase in direction of rotation.
 - Check engine idle speed should be performed in the case of heat engine, should be at 1300~1500 rev / min.
- The clutch adjustment should be noted as follows:
 - Excessive free travel can cause wear and malfunction of the clutch and gearshift mechanism.
 - After adjustment, be sure to stagger the bolt, adjusting bolt and the slot on the rocker arm to a certain position to prevent the cable from coming out of the slot.



| FIG.2 FRONT FORK COMPONENT | | Replace the clutch line | CHK | CAUTION |
|----------------------------|----------------|--------------------------|-----|---------|
| | | | ADJ | |
| NO. | PART NO. | PART NAME | QTY | |
| 1 | 1154100-012000 | ZT250-R clutch line (II) | 1 | |

PROCEDURE:

● Disassemble the clutch line

Use an open-end wrench to loosen the bolt② and bolt③; fix the adjusting screw①, rotate the bolt② up to the top of the thread of the adjusting screw, and screw the bolt③ to the bottom to completely separate from the thread. Separate the clutch wire core connector from the bracket⑤, close the bolt③ to the black sheath with one hand, and remove the adjustment screw① from the bracket④ with one hand.

First, the protective rubber sleeve⑨ is retracted to the elbow⑧ and the nut⑥ is loosened with the pliers; the nut⑥ and the adjusting screw⑦ are rotated to the same position as the groove on the rocker arm, and the cable is pulled from the rocker arm seat. Finally remove it.

Remove the clutch line.

Remove the protective sleeve⑨ from the clutch cable (1).

● Install the clutch

Put protective rubber sleeve⑨ into clutch elbow

After inserting the clutch cable joint into the rocker arm, screw the nut⑥ and the adjusting screw⑦ to the groove on the rocker arm.

Assemble the clutch cable into place according to the original alignment.

Rotate the nut② up to the top of the thread of the adjusting screw, and screw the nut③ to the bottom to completely separate from the thread.

Take the nut③ close to the black sheath with one hand and insert the adjustment screw① into the bracket④ with the other hand.

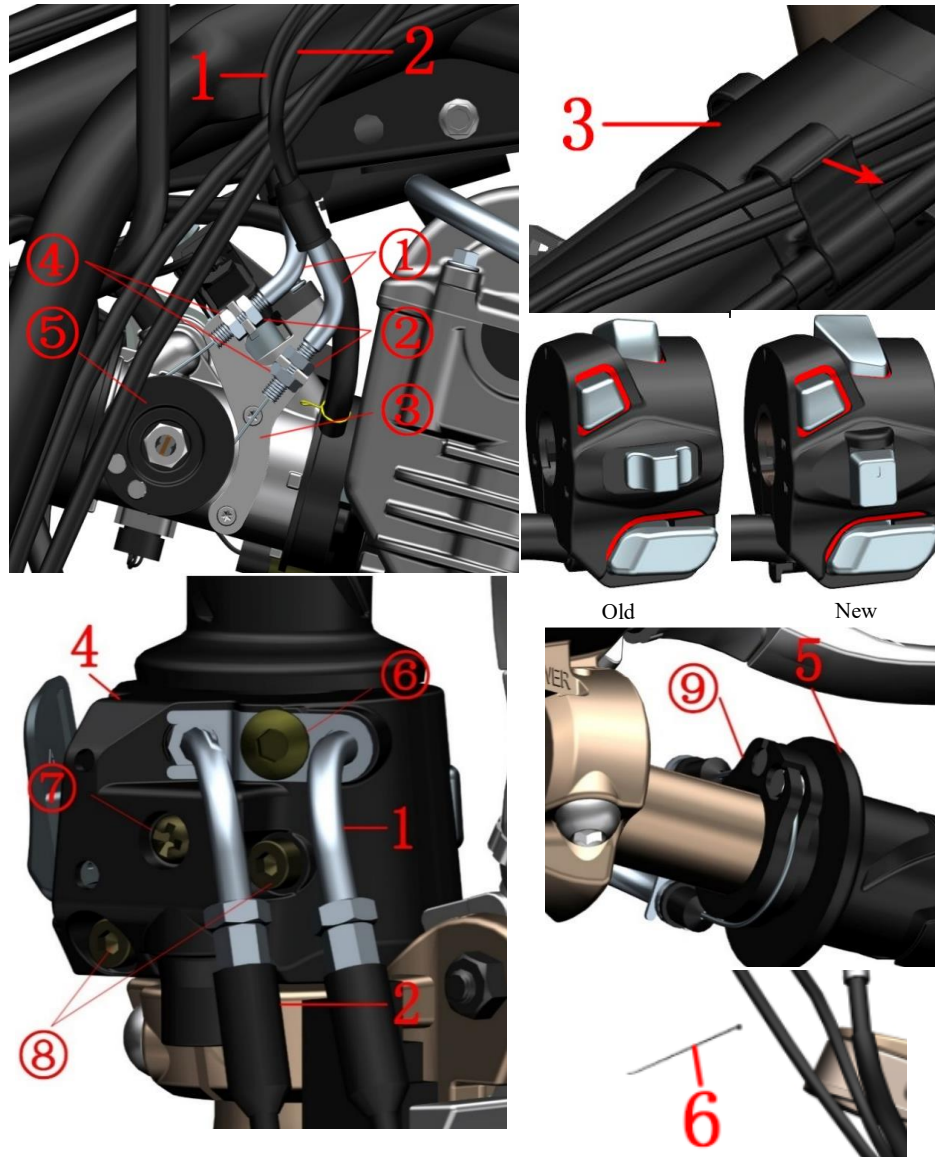
Insert the clutch core connector into the hole of the bracket⑤.

Initially position the nut② first, adjust the free stroke adjustment in the clutch cable adjustment, and then lock the nut③.

Finally, reset the protective rubber sleeve⑨.

CAUTION:

- The motorcycle support should be fixed during disassembly to prevent accidents caused by incline.
- Before replacing the clutch line, it is necessary to disassemble the seat cushion, fuel tank, liner, side cover, etc.



| FIG.3 FRONT FORK COMPONENT | | Replace the throttle line | CHK | ⚠ |
|----------------------------|----------------|--|-----|--------------|
| NO. | PART NO. | PART NAME | ADJ | |
| 1 | 1154100-013000 | ZT250-R throttle accelerating cable (II) | 1 | |
| 2 | 1154100-014000 | ZT250-R return line (II) | 1 | |
| 3 | 1224100-049000 | ZT250-R Line clamp | 1 | |
| 6 | 1184200-022000 | ZT310-X Right handle bar switch | 1 | Stop selling |
| | 1184200-140000 | ZT310-X1 Right Handle Switch | | New |
| 5 | 1244100-140000 | ZT250-R right handle bar rubber sleeve(after-sale) | 1 | |
| 6 | 1224100-051000 | Grade 0 flame retardant tie (black 2.5×100) | 1 | |

PROCEDURE:

● Disassemble the throttle line

Use an open-end wrench to turn the nut② of the throttle refueling line (1) or the oil return line (2) upside down, turn the nut④ downwards and out of the bend 1; rotate the turntable on the throttle valve clockwise, and turn the cylindrical joint of the fuel line from the turntable Remove; then move the elbow upwards over the bracket③ on the throttle and pull outwards to separate the core from the bracket. After removing the fuel line, pull the return line core downwards and separate the joint from the turntable, and then move the elbow up and separate from the bracket.

Use pliers to open the card on the line clamp(3) slightly in the direction of the arrow, remove the throttle cable from the slot, and cut the cable tie(6).

Remove the bolts⑥ and⑧ with the hexagonal tool.

Hold the right hand switch(4) with your hand and remove the bolt⑦ with a cross screwdriver. Turn the handlebars on and off.

Remove the throttle line from the right hand and remove the rubber sleeve(5) from the core turntable⑨ and remove it from the cable hole in the lower part of the switch.

● Install the throttle line

First pass the throttle line into the line hole in the lower part of the switch, and pay attention to distinguish between the fuel line and the return line. Fit the cylindrical connector of the throttle cable into the turntable⑨ on the right hand gripper(5). Return the oil return line card to the limit slot provided on the refueling line. Use a hexagonal tool to lock the bolt⑥ to a torque of 8-10 Nm. After aligning the upper and lower holes of the switch, it is advisable to screw the bolt 8 a few times to prevent it from falling out. Then, after observing the right hand, align the positioning holes and the direction of the lower part of the switch(4) and fix the bolt⑦ after locking. Finally, tighten the bolt⑧ and tie the tie(6). Cut off the excess.

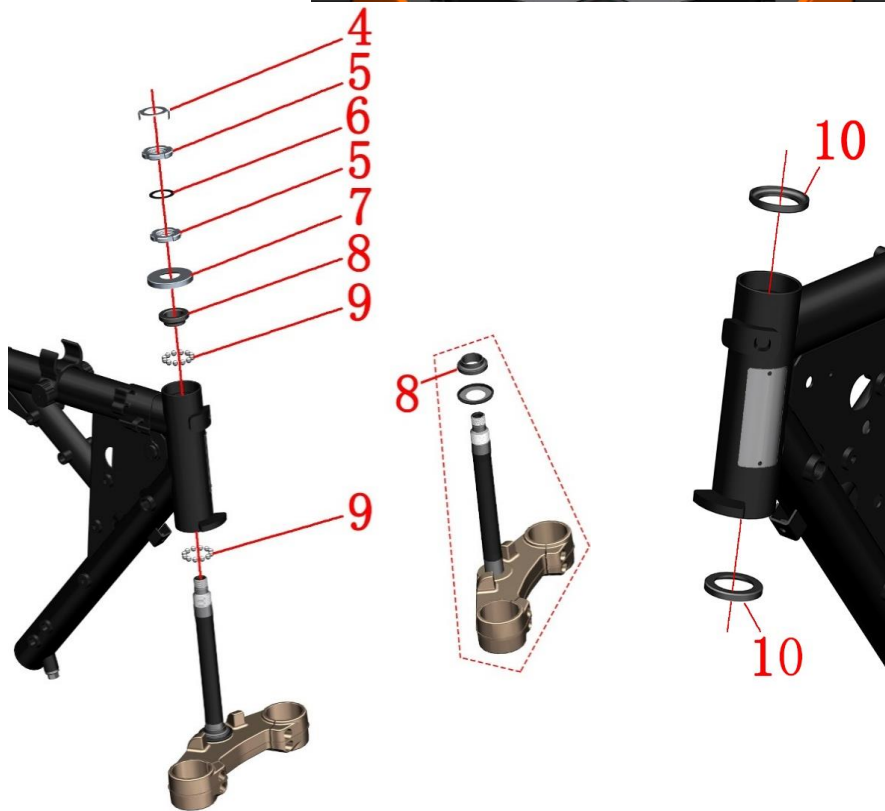
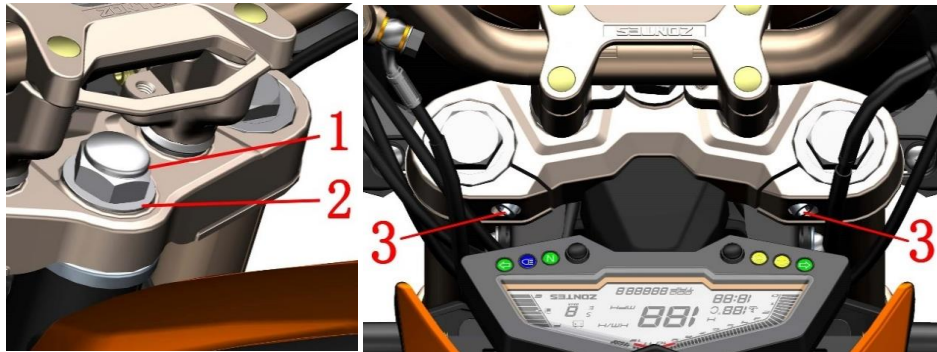
Push the throttle cable into the cable clamp slot.

Use an open hand to turn the nut② of the throttle refueling line(1) or the return line(2) up and down, and turn the nut④ downwards to the bend①. Put the oil return line into the bracket③, and then put the joint onto the turntable⑤. Put the oil line into the bracket③, then turn the turntable⑤ to a certain angle.

Adjust the gap to adjust the throttle line clearance. Lock nuts② and④.

CAUTION:

- The motorcycle support should be fixed during disassembly to prevent accidents caused by incline.
- Before replacing the throttle line, you must first remove the seat cushion, fuel tank, liner, side cover, etc.
- The old model stop selling; the old switch can be replaced directly with the new one.



| FIG.4 FRONT FORK COMPONENT | | Steering adjustment | CHK | CAUTION |
|----------------------------|----------------|--|-----|---------|
| NO. | PART NO. | PART NAME | ADJ | |
| 1 | 1251300-045000 | ZT250-S Upper connection decorative nut | 1 | |
| 2 | 1251500-050000 | ZT250-S Upper connection gasketφ18.5×φ39×1 | 1 | |
| 3 | 1250205-034093 | GB70.1 Hexagonal Socket M8×30 (color Zinc) | 2 | |
| 4 | 1134100-040000 | ZT250-S Adjusting nut locking washer(5 pcs/after-sale) | 1 | |
| 5 | 1251300-046093 | ZT250-S Direction column adjusting nut M24X1 | 2 | |
| 6 | 1244100-135000 | ZT250-S Adjusting nut rubber gasket (5 pcs/after-sale) | 1 | |
| 7 | 1224100-005000 | ZT250-S Direction column dust cover | 1 | |
| 8 | 1130900-053000 | ZT250-S shaft ring (after-sale) | 1 | |
| 9 | 1130900-054000 | ZT250-S conjoined steel ball (5 pcs/after-sale) | 2 | |
| 10 | 1130900-052000 | ZT250-S upper steel bowl (after-sale) | 2 | |

PROCEDURE:

- When the front fork slightly sways or when the direction handle swings during braking
Check whether the pressure of the front tire is the recommended air pressure at room temperature: 250±10kPa. If it is lower than the recommended air pressure, the front tire pressure should be inflated to 350 kPa first, and then deflated to 250±10 kPa. Let us check if the running-up test is released. If not, set the front wheel and turn to inspect the tire tread, if it is worn or deformed, the front tire needs to be replaced. If not, you should continue to the following operation.

● Check steering device

Set up the front wheel and shake the lower part of the fork by hand to check if the steering shaft is loose or the left and right rotation is flexible.

Adjust the adjusting nut:

Remove the trim nut(1) with a spanner, remove the gasket(2), and remove the bolt(3) with the hexagonal tool. The direction of the upper connection assembly wrapped with a clean cloth and then placed to prevent scratches. Remove the lock washer(4); remove the top adjusting nut(5) with a special four-jaw shank or hook wrench and remove the pad(6). If the steering resistance is too large, rotate the bottom adjusting nut(5) counterclockwise. If the brake slightly sways or swings, then rotate it clockwise. The torque is approximately 14N.m. It is suitable when holding the front wheel to rotate freely and there is not getting stuck.

When reassembling, the top adjusting nut only needs to be screwed to align with the bottom nut groove, so as not to over-tighten to avoid excessive deformation of the rubber pad(6); the torque requirement of the decorative nut(1) is 100 N.m.

● Steering bearing

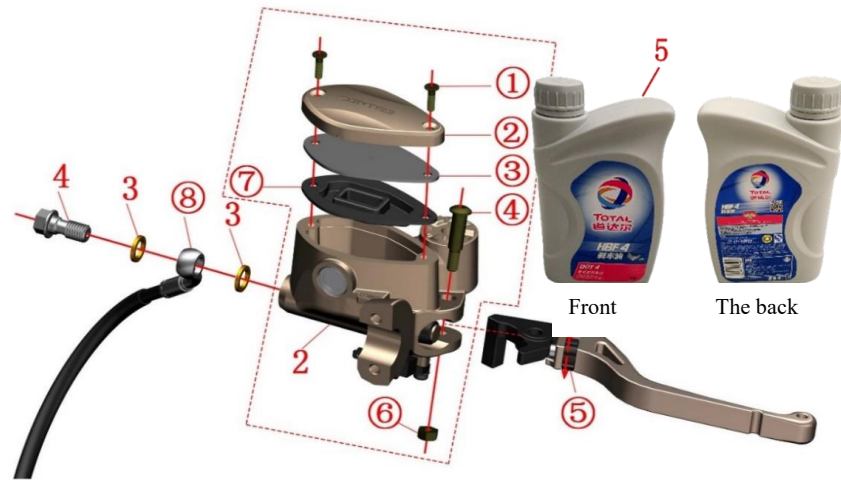
If the above operation still can not rule out excessive steering resistance or stuck as follows:

Remove the adjusting nut(5), remove the upper dust cover(7), shaft ring(8), and conjoined steel ball(9), remove the directional column & front shock absorber & front wheel assembly, check the shaft ring and the conjoined steel ball for abnormal wear or rust . At the same time, check whether the seat ring(10) in the front frame of the motorcycle frame is abnormally worn or rusted. If you need to, you need to purchase replacement parts on Zontes official website. Newly-applied conjoined steel balls need to be evenly greased, paying attention to the amount of grease.

CAUTION:

- The vehicle should be fixed and then operated. During the dismantling process, the material should be protected to prevent scratches.

- If the steering adjustment is too tight, the steering force will be greater. If it is too loose, the front of the vehicle will be slightly shaken when braking, and the driver needs to adjust according to the actual needs of the driver.



| FIG.5 FRONT FORK COMPONENT | | Add brake fluid, rocker adjustment | | CHK | CAUTION |
|----------------------------|----------------|--|--|-----|---------|
| | | | | ADJ | |
| NO. | PART NO. | PART NAME | | QTY | |
| 1 | 1134100-032000 | ZT250-R Right handle rocker arm (Machine) | | 1 | |
| 2 | 1100300-044000 | ZT125T front disc brake main pump assembly (without handle) | | 1 | |
| 3 | 1251513-013000 | Disc brake copper washer $\phi 15 \times \phi 10.2 \times 1.5$ | | 2 | |
| 4 | 1251100-112000 | Disc brake oil pipe bolt M10×1-22 | | 1 | |
| 5 | 3070100-008600 | Fully synthetic brake oil DOT4 (1L bottle) | | 1 | 【1】 |

PROCEDURE:

● Front disc brake main pump

Fix the front disc brake main pump, remove the bolt (4) and copper pad (3) with the sleeve, and do not disassemble if it does not need to be replaced. Always replace the tubing connector 8 at a high level to prevent air from entering the tubing and cause brake failure. Also clean oil should be removed to prevent dripping onto parts such as covers or mufflers. After replacement, be sure to continuously hold the swing arm (1) and tap the disc brake main pump (2) to remove a small amount of gas entering the brake oil circuit, and confirm that the brake is returned to normal.

● Rocker

Rotating the adjusting nut (5) can adjust the distance between the rocker arm and the handle rubber sleeve to adapt to different driver's feel.

If you need to replace the rocker arm, use a hexagon socket tool to fix the bolt (4). Then use a socket or box wrench to remove the nut (6). Remove the bolt (4) and remove the rocker arm (1).

● Add brake fluid

Before driving the motorcycle, check whether the brake fluid level is above the "LOWER" marking. If not, check the brake disc or brake disc for wear and whether there is any oil leakage or oil leakage in the brake system. Abnormal needs to add brake fluid.

The brake fluid can only be added after the motorcycle is fixed horizontally.

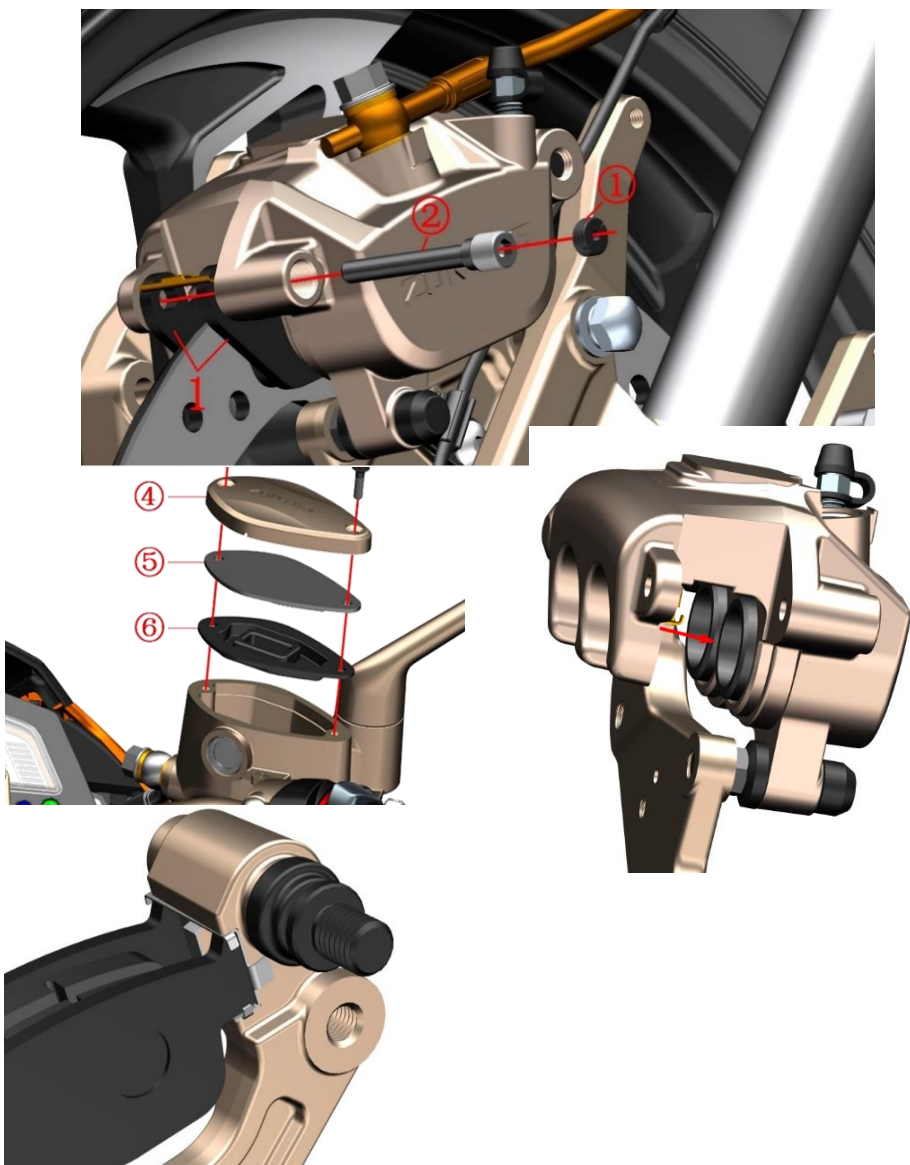
Remove the bolt (1) with a Phillips screwdriver and remove the upper cover (2), the cover plate (3), and the seal gasket (7).

Add DOT4 brake fluid to 3/4 of the transparent observation window of the front disc brake master pump.

Be sure to clean the foreign body before reassembling it.

CAUTION:

- The motorcycle should be fixed after horizontal support and check.
- Periodically check that the fluid level of the brake fluid is at 3/4 of the observation window.
- If the liquid level is under "LOWER", check the brake disc wear and brake system for leaks.
- If you swallow the brake fluid, contact poison control center or hospital immediately; if you get into your eyes, seek medical attention immediately after flushing with clean water.
- Keep brake fluid away from children and pets.
- Do not flush the cup directly with high-pressure water.
- Do not mix water, dust, impurities, and silicic acid or petroleum-based liquids, as this may cause serious damage to the brake system.
- 【1】 Each bottle is 1 liter. It must be used in time after opening, and sealed and moisture-proof measures must be taken when storing; it is recommended not to exceed 1 month. Inferior or damp brake fluid will cause adverse effects on the braking system, and may cause brake failure when the impact is severe. Be sure to change the brake fluid at a maintenance shop with brake fluid replacement equipment and technology to avoid air entering the brake pipeline.



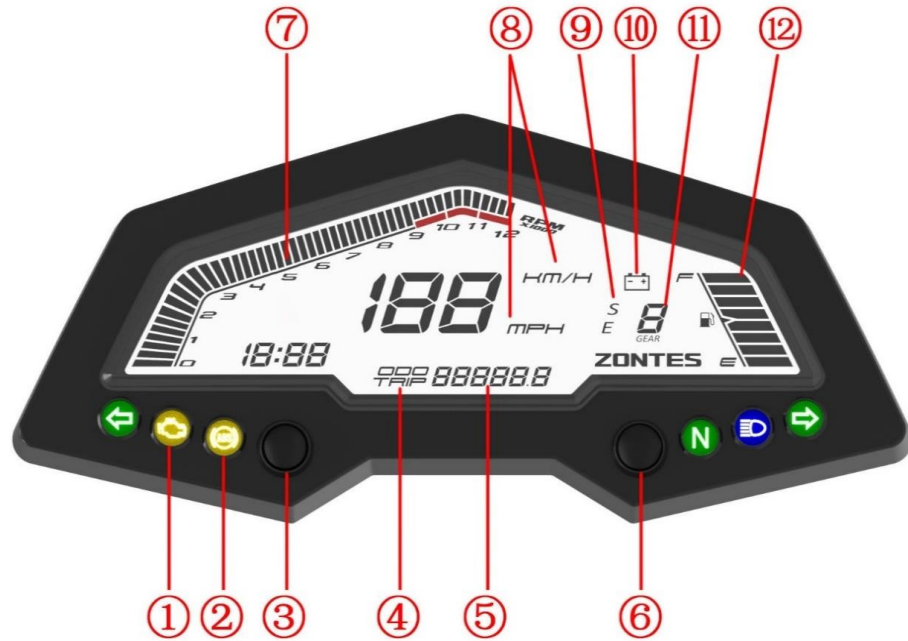
| FIG.6 FRONT FORK COMPONENT | | Replace the front brake pads | CHK | |
|----------------------------|----------------|-------------------------------------|-----|-------------|
| | | | ADJ | |
| NO. | PART NO. | PART NAME | QTY | CAUTION |
| 1 | 1100100-091000 | ZT250-S Front Disc brake shoe (H10) | 1 | After-sales |


PROCEDURE:

- Replace the front brake shoe
 - Use a screwdriver to remove the nut①.
 - Remove pin② with hexagonal tool.
 - Remove the brake shoe (1).
 - Clean out foreign matter such as dust on the outer edge of the piston.
 - Use a cross screwdriver to remove the bolt③ on the front brake main pump assembly, remove the top cover④, cover plate⑤, and seal gasket⑥.
 - Push the piston in the direction of the arrow.
 - Restore the front disc brake main pump assembly, it must be accurately assembled in place.
 - Put a new brake shoe, be sure to place the brake shoe close to the card slot, as shown on the left.
 - Lock the pin② with a hexagonal tool.
 - Use a flathead screwdriver to lock the nut①.
 - Repeatedly holding the brake handle until braking force is restored.

CAUTION:

- The motorcycle support should be fixed before operation
- Check the brake discs and brake discs regularly for wear. Regularly check if the brake fluid level in the front window of the main brake disc is 3/4.
- It is strictly prohibited to disassemble the oil pipe bolts and gas discharge nozzle bolts when replacing the brake shoes to prevent air from entering the pipeline and causing brake failure.
- Do not shake the front after removing the front brake oil cup lid to prevent the brake fluid from overflowing.
- After replacing the brake shoes, the new brake shoes should be operated for about 300 km to fully run in order to achieve the best braking effect. Be careful to allow enough braking distance during running-in.
- It is recommended to replace brake shoes in pairs with qualified maintenance units.



| FIG.7 FRONT FORK COMPONENT | Instrument function description | CHK |  |
|----------------------------|---------------------------------|-----|---|
| | | ADJ | |

Instrument function:

①EFI failure signal light; ②ABS anti-lock braking system signal; ③MODE key; ④ODO long odometer;TRIP short odometer; ⑤ total mileage; ⑥SET key;⑦Engine rev instrument; ⑧ km mark; ⑨ECO indicator light; ⑩ battery low voltage prompt symbol; ; ⑪gear,,⑫fuel oil level meter.

(1)When the right hand presses the " " button of the sub switch (as shown in the lower left figure), the ignition route is turned on, and the meter is turned on:

The screen shows all the content, while the engine speed scans to the maximum scale and then falls back to normal mode.

(2) Short press the " " button. If the EFI failure signal ① is not activated, it is normal. If it is not bright, it indicates that the EFI system is abnormal. If the engine is started, it may cause damage. If the start is successful, the fault signal lights up during operation, and the fault reported by the electric spray indicates that the electronic fuel injection system is abnormal. Please stop the vehicle in a safe location and contact the company's designated after-sales shop to check the vehicle's electronic spray system

(3)When the motorcycle is energized and the parking is stopped by short pressing the " " button, the ABS anti-lock braking system signal light ② will automatically light up. When the vehicle speed exceeds 5 km/h, it will automatically extinguish. Otherwise, it is indicated that the ABS is faulty. The aftermarket shop inspects and repairs the motorcycles.

(4)When the oil change indicator light is on, turn off the engine after stopping the vehicle in a safe position, and check that the oil amount is sufficient. If it is not enough, it needs to be added as soon as possible; if it has been driven to a certain mileage, it needs to be replaced as soon as possible.

(5)ODO long odometer ④ TRIP short odometer ⑤

Long-short-range switching: In the TRIP mode, press the MODE button shortly to switch to "ODO". In the ODO mode, press the MODE button shortly to switch to the "TRIP" mode. Press and hold the SET button for a short distance to clear. ODO Long mileage total mileage can not be cleared; TRIP can record single or multiple accumulated mileage can be cleared.

(6) In the "ODO" mode, press and hold SET ⑥ to enter the time mode. The MODE key is incremented by the hour; the SET key long press to enter the minute setting flashes at the same time, the MODE competition increases by short minutes, and long press the SET key to complete the time setting. If the battery is removed or the loss of electricity clock is displayed from "12:00".

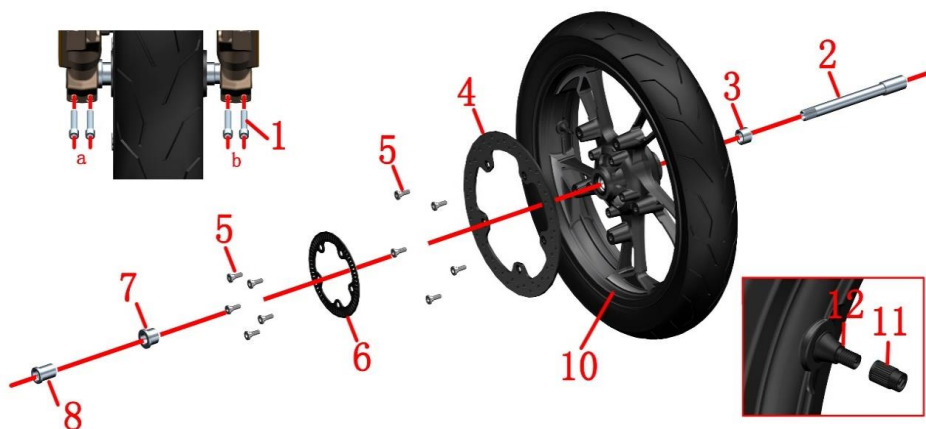
(7)The tachometer displays the speed of the engine, indicating the number of revolutions of the engine crankshaft per minute. 10000-12000rpm is the red warning zone of engine speed (red printing section).

(8)Long press MODE key ③ in "ODO" mode to switch the speed between mph and km/h, and the odometer switches between mile and km

Press the "ECO" button ECO indicator ⑨ shows "E" to indicate that it is in the normal economy mode; the button pops up to show "S" to indicate that it is in power mode.

(9)When the battery low voltage indication symbol ⑩ is flashing, it indicates that the battery voltage is lower than $11.5 \pm 0.25V$. Please contact our designated after-sales service store to check, charge or replace the battery as soon as possible.

(10)Fuel level table ⑫ shows that the 8th stage indicates that the fuel tank is full. When the fuel level drops to approximately 1L, the fuel indicator flashes and fuel should be replenished as soon as possible.



| FIG.8 FRONT FORK COMPONENT | | Front wheel assembly | CHK | CAUTION |
|----------------------------|----------------|--|-----|---------|
| NO. | PART NO. | PART NAME | ADJ | |
| 1 | 1250205-023000 | GB70.1 Hexagonal Socket M8×35 (color Zinc) | 4 | 20N.m |
| 2 | 1094100-033000 | ZT250-R Front wheel hollow shaft | 1 | |
| 3 | 1094100-008000 | ZT250-R Front wheel left sleeve | 1 | |
| 4 | 1100100-418000 | ZT310-R1 front brake disc (300×5.0) | 1 | |
| 5 | 1251100-117093 | Non-standard hexagonal bolt M8×25 | 10 | |
| 6 | 1274200-058000 | ABS induction ring (60 teeth) | 1 | |
| 7 | 1094100-036000 | ZT250-R Front wheel right axle sleeve | 1 | |
| 8 | 1094100-037000 | ZT250-R Front wheel right fixed axle sleeve | 1 | |
| 9 | 1230100-077000 | ZT250-S110/70R17(CM609)Tires | 1 | |
| 10 | 1094200-026000 | ZT310-R black front rim (3.0×17) | 1 | |
| | 1094200-034000 | ZT310-R bright blue front wheel 3.0 (3.0×17) | | |
| 11 | 1230200-006000 | HJ100-D Tire valve cap | 1 | |
| 12 | 1230100-047000 | HJ125-3A Environmental vacuum valve (TR-412) | 1 | |

PROCEDURE:

●Tire and wheel assembly

Remove the 2 bolts (1) on the left front shock absorber bottom b with the Allen tool. Hold the front wheel first and then remove the hollow shaft (2) with the internal hexagon tool, remove the left sleeve (3), and move the front wheel assembly downward to remove the right sleeve (7) and front wheel assembly. Finally, remove the right fixing sleeve (8) and use the hexagonal tool to remove the 2 bolts (1) of the right front shock absorber.

●Brake disc, ABS ring gear

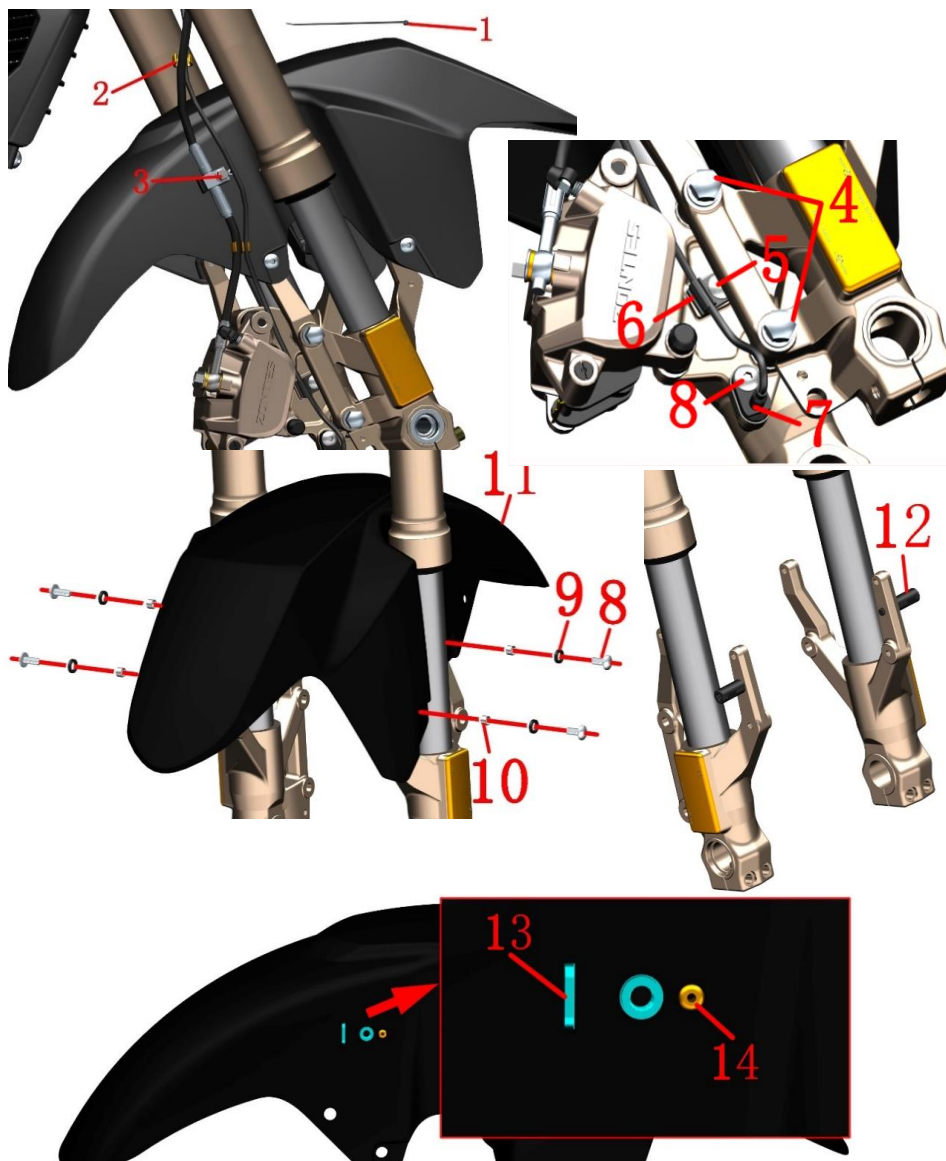
Remove the bolt (5) and then remove the ABS ring gear (6) and the brake disc (4).

●Tire and rim assembly

Unscrew the valve cap (11) and use the tool to release the air. Remove the tire (9) with a professional tire extractor. Finally remove the valve (12) with a suitable tool.

CAUTION:

- Use suitable tools to support the motorcycle to prevent accidents caused by motorcycle incline during disassembly; no individual operation.
- Take care when disassembling tires and rims to prevent damage to the material.
- After replacing the tire, check for leaks and balance.
- Unqualified tire repair fluid may corrode rims and cause safety hazards.
- Insufficient tire pressure may cause steering vibration, abnormal wear, etc.; summer tire pressure is too high there is a risk of puncture.
- Maintenance project
 - Tires: The tires should be regularly inspected for cracks, cracks, air pressure, etc. If the tread wear indicator has been worn out, the tire of the same specification type must be replaced. Refer to the relevant content of the manual for details. The tires are semi-hot melt rubber products and are not suitable for use in areas with low temperatures. When the outdoor temperature is too low, it is recommended to store the vehicle in a place with a high temperature or indoors to prevent freezing cracks. Normal temperature: standard 250 kPa.
 - Rim: Check the rim for signs of deformation, cracks, etc. Rotate the rim horizontally to check if there is any catch, swing, etc.
 - Axle: Use a dial indicator to check for deformation and bending.
 - Brake disc: After the new brake disc is replaced, it should be carried out for about 300 km to fully fit in order to achieve the best braking effect. Care should be taken to ensure adequate braking distance during running-in.



| FIG.9 FRONT FORK COMPONENT | | Front mud board & wheel speed sensor component | CHK | CAUTION |
|----------------------------|----------------|--|-----|------------|
| | | | ADJ | |
| NO. | PART NO. | PART NAME | QTY | |
| 1 | 1226000-218000 | Grade 0 name retardant ne (black 3.0×295)(5 pcs/arter-scale) | 1 | |
| 2 | 1224100-044000 | Wheel speed sensor clamp | 3 | |
| 3 | 1251100-061093 | M6×22 Hex flang bolt thread level 8.8 (color zinc) | 1 | |
| 4 | 1251100-080094 | Non-standard bolt M8×37 (environmental color zinc) | 2 | |
| 5 | 1251100-101000 | Non-standard bolt M6×12 (304 stainless steel) | 1 | |
| 6 | 1224200-127000 | ZT310—T front wheel WSS wire clip | 1 | |
| 7 | 1184200-045000 | DF30 wheel speed sensor | 1 | |
| 8 | 1251100-102000 | Non-standard bolt M6×16 (stainless steel) | 5 | |
| 9 | 1244100-037000 | φ12×φ8.5×2.5 Circular buffer | 4 | |
| 10 | 1274100-018000 | ZT250-S Muffler anti-hot plate bushing | 4 | |
| 11 | 4044201-078051 | ZT310—R front mudguard(dark bright gray/gray sticker/ABS) | 1 | |
| 12 | 1274200-035194 | Front fender liner ZT310 (black zinc) | 2 | |
| 13 | 1274200-038000 | Front fender front oil outlet pipe fixed seat | 1 | After-sale |
| 14 | 1250402-001091 | GB12615 φ3×10 Rivet | 1 | |

PROCEDURE:

● Wheel speed sensor

Pull out the plug of the wheel speed sensor (7); cut off the belting (1); then remove 3 pcs clamp (2). Pull out the sensor cable from the clip (6) and remove the bolts (3) and bolts (8) on the bottom, remove the sensor (7).

● Front disc brake caliper

Remove the bolts (3) and (4) so that the caliper will hang down naturally. It is forbidden to invert the caliper to prevent the air from entering and causing the brake to fail. Remove the bolt (5) on the clip (6) and take out of it.

● Front mudguard

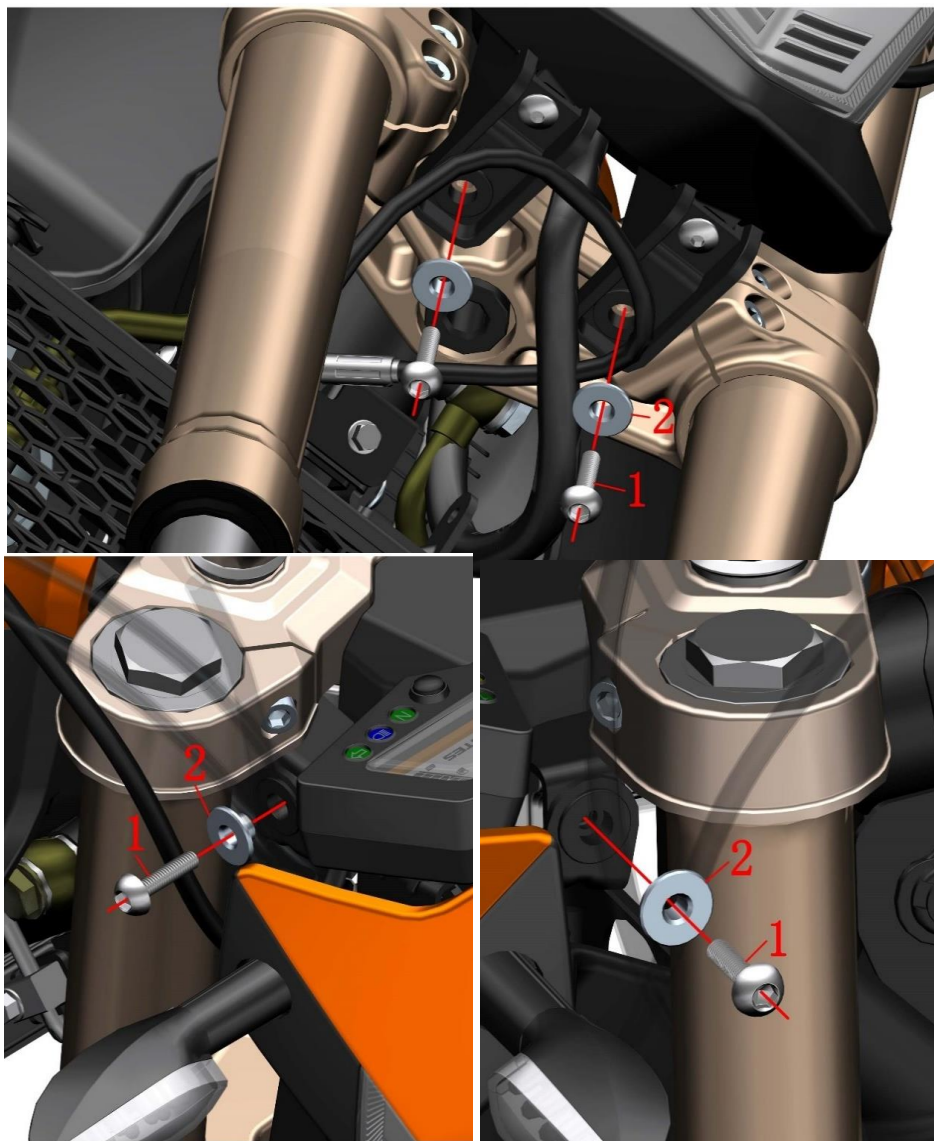
Hold the front mud plate (11) with your hand and then remove the 4 bolts (8) and remove the bushing (10) and cushion rubber (9). Remove the front mudguard (11). The inside of the front mudguard can be protected with reticle or double-sided tape around the rivet (14), then the rivet is ground off with a small sander, and then the rivet (14) and the fixing seat (13) are removed.

● Front mudguard liner

Remove the bushing (12) with a 10mm open end wrench.

CAUTION:

- The motorcycle support should be fixed during disassembly to prevent accidents caused by incline.
- Remove the tube clamps, sensor clamps should pay attention to strength.
- Pay attention to the strength when disassembling the front mud plate to prevent scratching the paint surface.



| FIG.10 FRONT FORK COMPONENT | | Head assembly 1 | CHK | |
|-----------------------------|----------------|---|-----|--|
| NO. | PART NO. | PART NAME | ADJ | |
| 1 | 1251100-121093 | Non-standard bolt M6×25 (environmental color) | 4 | |
| 2 | 1274101-015000 | ZT250-S flanging sleeve(φ6.4×φ9×6+φ20×2)(5 pcs/afte | 4 | |

PROCEDURE:

● Head assembly

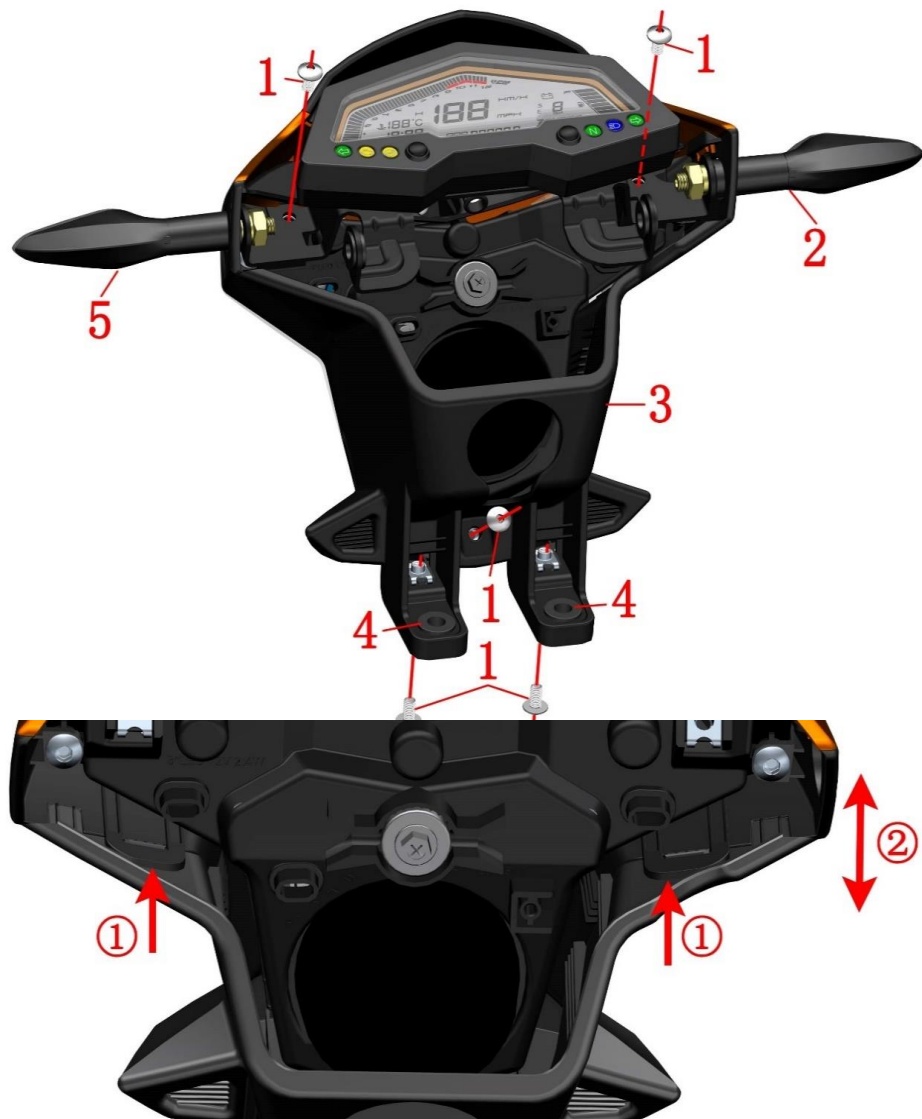
Use your hand to hold the head assembly and remove the two bolts(1) on the bottom of the lower plate with the hexagonal tool. remove the flanged bushing(2).

Use your hand to hold the head assembly and remove the two bolts(1) on both sides of the upper plate bottom with the hexagonal tool. remove the flanged bushing(2).

Move the head assembly forward with your hands, and pull all the plugs on the main harness and head, including headlights, instruments, turn signals, electric door locks, etc.

CAUTION:

- The motorcycle support should be fixed during disassembly to prevent accidents caused by incline.
- Take care when unplugging the connector. Never pull it out to avoid damage. When reinstalling, check whether the insert in the plug is misaligned. Check if the tape is missing.



| FIG.11 FRONT FORK COMPONENT | | Head assembly 2 | CHK | CAUTION |
|-----------------------------|----------------|---|-----|---------|
| NO. | PART NO. | PART NAME | ADJ | |
| 1 | 1251100-101000 | Non-standard bolt M6×12 (304 stainless steel) | 4 | |
| 2 | 1174100-006000 | ZT250-S Front right turn signal light | 1 | |
| 3 | 1224100-026000 | ZT250-S Head cover rear shell | 1 | |
| 4 | 1244100-137000 | ZT250-S Flanging bushing buffer(5 pcs/after-sale) | 2 | |
| 5 | 1174100-005000 | ZT250-S Front left turn signal light | 1 | |

PROCEDURE:

● Turn signal light

Use an open-end wrench to remove the hex nuts on the right turn signal light(2) and the left turn signal light(5), and remove the spring washers and washers on the turn signal lights.

● Instrument assembly

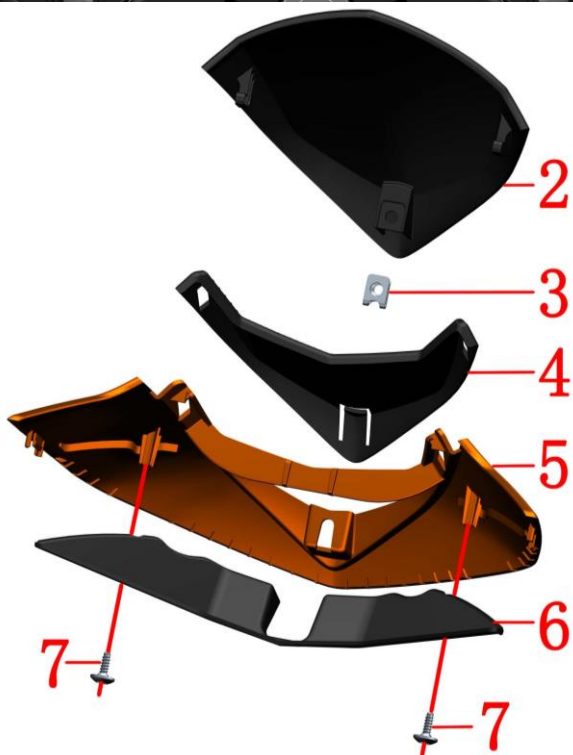
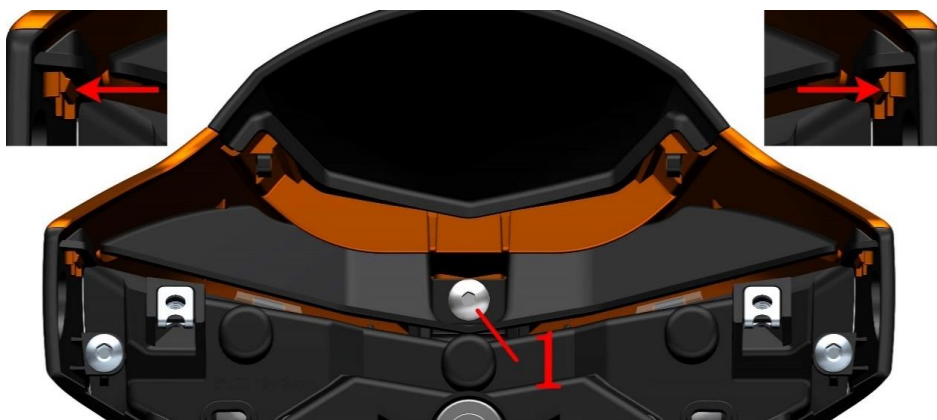
Remove the two bolts(2) on the upper part of the instrument holder (the top in the left figure) with the hexagonal tool. Remove the instrument assembly and then remove the head cover cushion rubber(1).

● Head cover rear shell

Remove the three bolts(1) at the bottom (at the bottom of the left figure) with the hexagonal tool. Use a flat-blade screwdriver to pick up the upper buckle indicated by ① and then apply force to both sides of the head cover rear shell and front assembly in the direction indicated by ② to remove the head cover rear shell(3) and put the cushion rubber(4) from the rear shell.

CAUTION:

- The motorcycle support should be fixed during disassembly to prevent accidents caused by incline.
- When using a flat-blade screwdriver to pick up the buckle, pay attention to it. If the strength is too high, the buckle may be easily broken.
- When separating the head cover rear shell, pay attention to the direction and strength of the force to avoid causing the buckle to break.
- Pay attention to distinguish the line color when installing the turn signal light, the left turn signal light beam is orange + green, the right turn signal light beam is bright blue + green.



| FIG.12 FRONT FORK COMPONENT | | Head cover upper part assembly | CHK | CAUTION |
|-----------------------------|----------------|---|-----|---------|
| NO. | PART NO. | PART NAME | ADJ | |
| 1 | 1251100-101000 | Non-standard bolt M6×12 (304 stainless steel) | 1 | |
| 2 | 1224100-001000 | ZT250-S Windshield | 1 | |
| 3 | 1251300-063093 | Plywood M6×11×15(green color) | 1 | |
| 4 | 1224100-027000 | ZT250-S Head cover sandwich | 1 | |
| 5 | 4044100-006033 | ZT250-S Head cover upper part(bright orange) | 1 | orange |
| | 4044100-006064 | ZT250-S Head cover upper part(bright blue) | | blue |
| | 4044100-006021 | ZT250-S head cover upper part (special black) | | 【1】 |
| 6 | 1224100-031000 | ZT250-S Head cover light block | 1 | |
| 7 | 1251200-033093 | Non-standard self-tapping blot ST4.2×12 | 2 | |

PROCEDURE:

● Head cover upper part assembly

Remove the bolt with the hexagonal tool(1).

Press the buckle slightly in the direction of the arrow to separate the headlight upper assembly lower headlamp assembly.

Remove the bolt(7) with the hexagonal tool and remove the light block(6).

Push the tip of the windshield (2) forward with hands, and remove the upper part of the head cover(5) and sandwich(4).

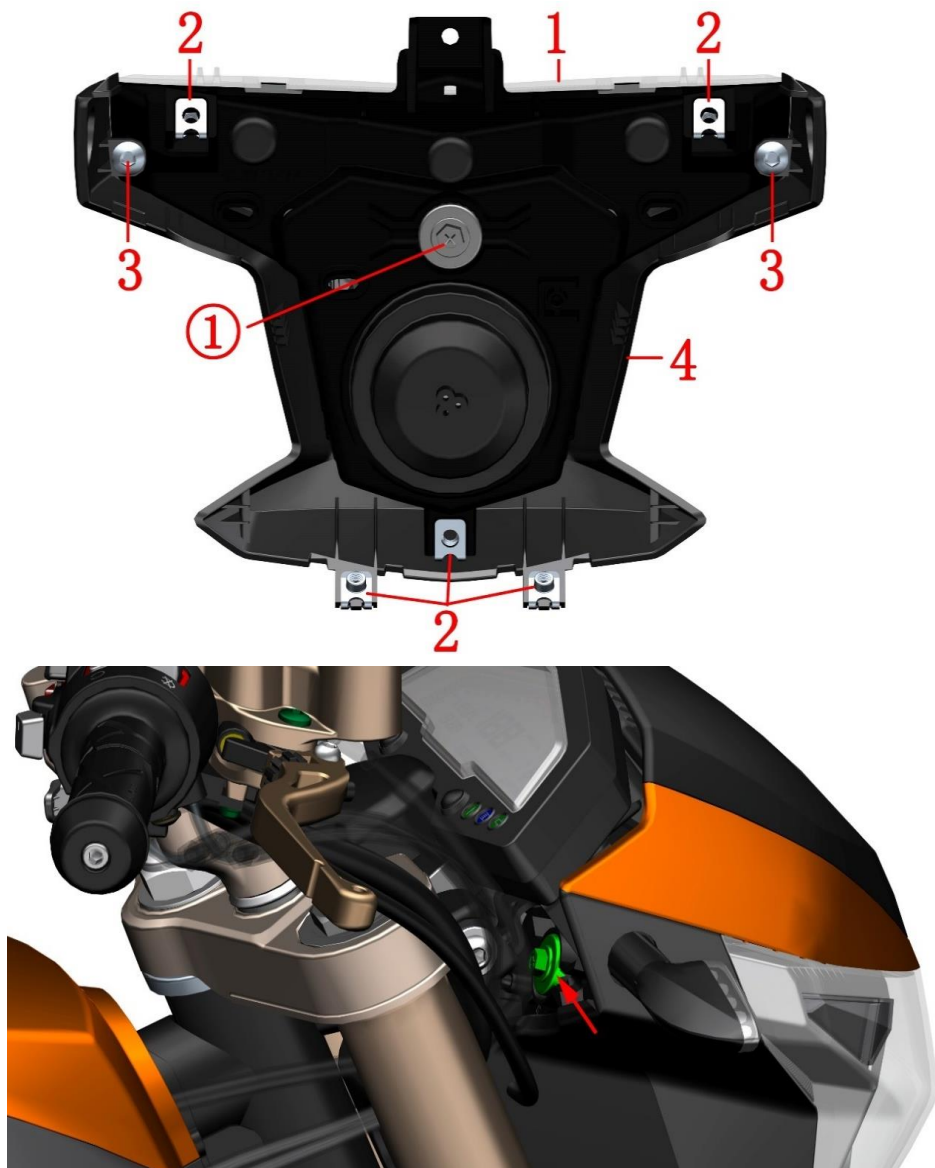
Remove the plywood nut(3) from the windshield(2)

CAUTION:

● Attention should be paid when using the tool to press down the buckle. If the force is too large, the buckle will be easily broken.

● When restoring the bolt(7), the axis of the screw should be perpendicular to the mounting surface of the light barrier, and do not overtighten the pin on the upper part of the head cover.

● 【1】 Make use of dark gray/special black motorcycle .



| FIG.13 FRONT FORK COMPONENT | | Front light assembly | CHK | CAUTION |
|-----------------------------|----------------|---|-----|---------|
| NO. | PART NO. | PART NAME | ADJ | |
| 1 | 1174100-009000 | ZT250—S LED Front light | 1 | |
| 2 | 1251300-063093 | Plywood M6×11×15 (environmental color) | 5 | |
| 3 | 1251200-033093 | Non—standard self—tapping bolt ST4.2×12(color zinc) | 2 | |
| 4 | 4044100-007036 | ZT250—S head cover lower part (electroplated bright gray highlight) | 1 | |
| | 4044100-007021 | ZT250—S head cover lower part (special black) | | black |

PROCEDURE:

● Front light

Remove the bolt(3) with the hexagonal tool.

Separate the front light(1) and head cover lower part(4).

Separately remove the plywood nut(2) from the front light(1) and the lower part of the head cover(4).

● Adjust the light height

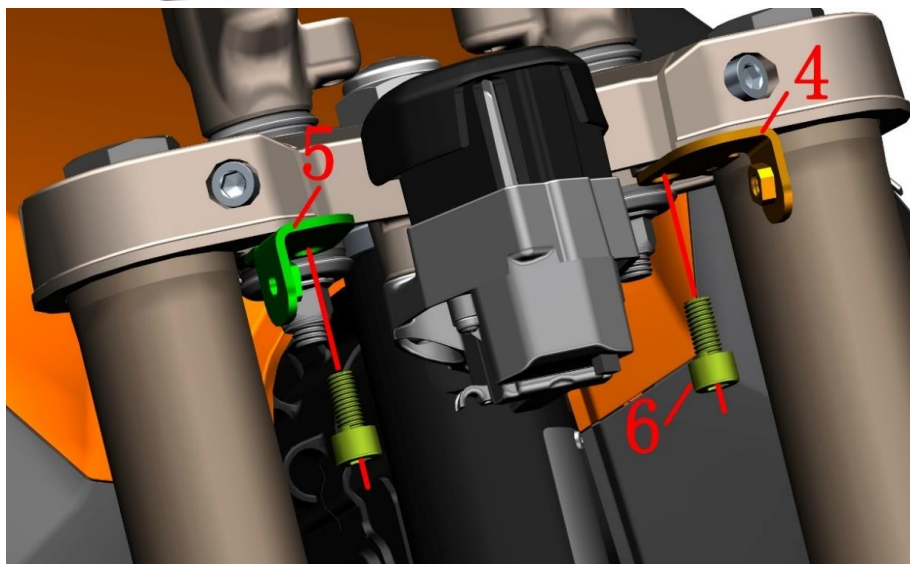
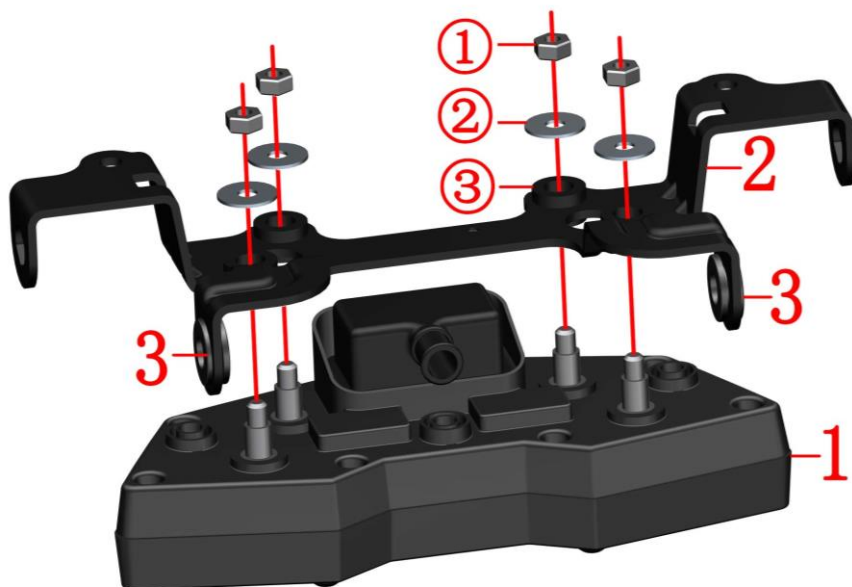
The driver sits on the seat and the motorcycle is upright. The other person uses a cross screwdriver to insert the left or right side of the motorcycle into the zigzag position indicated by the arrows on the left. Rotate the light level adjustment bolt① clockwise or counterclockwise to adjust the light to a suitable position. No need to remove any parts to adjust light height.

CAUTION:

● Attention should be paid when using the tool to press down the buckle. If the force is too large, the buckle will be easily broken.

● When restoring the bolt(3), the axis of the bolt should be perpendicular to the mounting surface of the light barrier, and do not overtighten the pin on the upper part of the head cover.

● The front light use LED light source, which does not need to be replaced or maintained under normal condition. Therefore, the rubber sleeve behind the front light cannot be removed to prevent dust from entering



| FIG.14 FRONT FORK COMPONENT | | Instrument assembly | CHK | CAUTION |
|-----------------------------|----------------|---|-----|---------|
| NO. | PART NO. | PART NAME | ADJ | |
| 1 | 1164100-005000 | ZT250-R digital instrument (with gear display) | 1 | |
| 2 | 1274100-097000 | ZT250-R instrument bracket | 1 | |
| 3 | 1244100-137000 | ZT250-S Flanging bushing buffer(5 pcs/after-sale) | 2 | |
| 4 | 1274100-098000 | ZT250-R instrument bracket left mounting ear | 1 | |
| 5 | 1274100-099000 | ZT250-R instrument bracket right mounting ear | 1 | |
| 6 | 1250205-040095 | GB70.1 inner hex bolt M8×16(color Zinc) | 2 | |

PROCEDURE:

● Instrument

Remove the four nuts① and gasket② with the sleeve and then remove the instrument(1).

Four pieces of instrument's own buffer are removed from the meter support(2) in the direction of arrows a and b respectively.

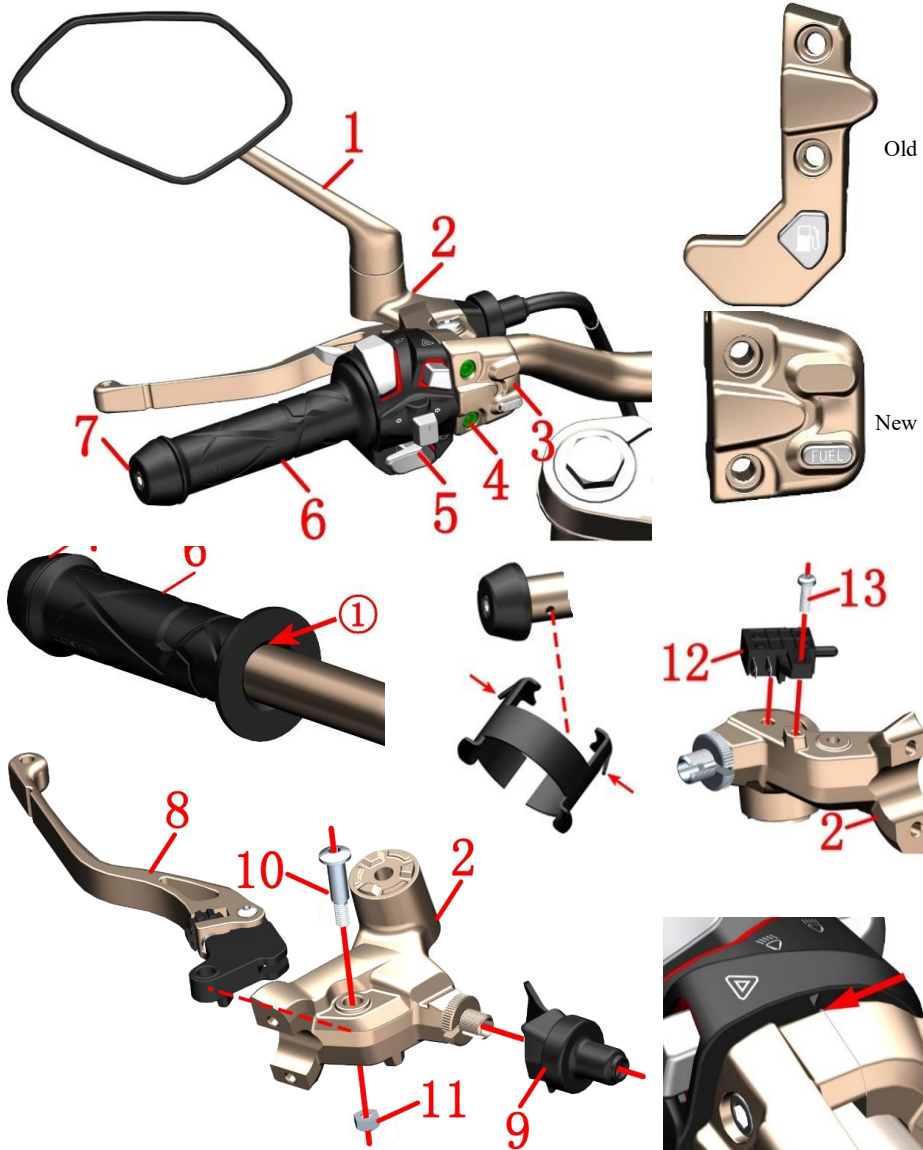
Remove the buffer glue from the Instrument bracket

● Instrument support

Remove the bolt (6) and then remove the left mounting ear (4) and the right mounting ear (5) of the instrument bracket.

CAUTION:

- When removing the instrument assembly, take care to protect the case and prevent scratches.
- When the assembly is handled, the corner should be tightened. The torque should not be too large to prevent the permanent deformation caused by the excessive deformation of the buffer.
- Do not flush the instrument directly with high-pressure water. Never wipe the instrument with a rag stained with organic solvents such as gasoline, kerosene, alcohol, or brake fluid. Otherwise, the instrument may cause localized cracks or discoloration due to contact with organic solvents.
- Detailed description of the instrument refer to the description of the instrument in the description.
- It is forbidden to operate the instrument when driving a motorcycle, and it is forbidden to leave the direction handle during riding.



| FIG.15 FRONT FORK COMPONENT | | Left handle assembly | CHK | CAUTION |
|-----------------------------|----------------|--|-----|--------------|
| NO. | PART NO. | PART NAME | ADJ | |
| 1 | 1194100-001000 | ZT250-S Left rearview mirror | 1 | |
| 2 | 1134100-034000 | Left handle rocker arm(without switch/adjusting screw) | 1 | |
| 3 | 1184200-132000 | ZT310-R Left Handle Sub Switch (No ABS) | 1 | Stop selling |
| | 1184200-152000 | ZT310-R Second Generation Left Handlebar Switch (LCD) | | |
| 4 | 1250205-031091 | GB70.1M6×30(stainless steel) | 2 | |
| 5 | 1184200-141000 | ZT310-X1 Left Handle Switch | 1 | |
| 6 | 1244100-139000 | ZT250-R left hand rubber sleeve(after-sale) | 1 | |
| 7 | 1134200-023000 | ZT250-R Balancing block | 1 | |
| 8 | 1134100-031000 | ZT250-R Left handle rocker (Machine) | 1 | |
| 9 | 1244100-096000 | ZT250-R protective rubber sleeve | 1 | |
| 10 | 1251100-198000 | Non-standard bolt M6×13-φ8×20 | 1 | |
| 11 | 1251300-073000 | GB/T6185 nut M6 | 1 | |
| 12 | 1184200-170000 | ZT310-V Clutch switch | 1 | |
| 13 | 1250201-039000 | GB818 cross recessed pan head screw M4×12(color zinc) | 1 | |

PROCEDURE:

●Left assistant switch

Locate and unplug the left auxiliary switch cord plug. Fix the left-hand rocker arm seat (2) with one hand, remove the bolt (4) with a hexagonal tool with the other hand, and remove the left auxiliary switch (3).

●Left rear view mirror, left switch, rocker arm

Remove the clutch line by referring to the "Replace Clutch Line" procedure.. Remove the left rear view mirror(1),rocker base(2),left switch (5), and rocker arm(8) by referring to the steps in "Right Handle Assembly" and "Add Brake Fluid, Adjusting Rocker Arm".

●Left hand rubber sleeve and balance block assembly

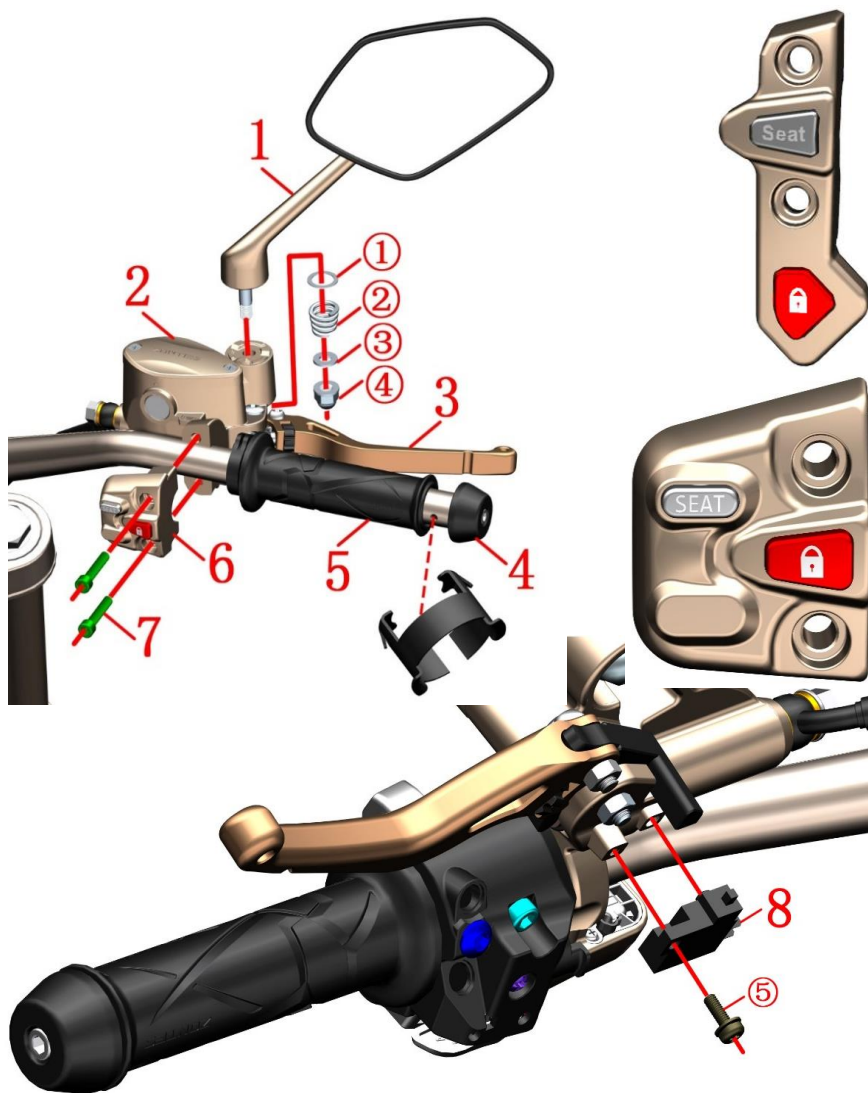
Can be soaked in hot water for about 10 minutes before use a dust blower ①to blow the left hand grip between the rubber sleeve(6) and move the rubber sleeve inwards until the counterweight positioning hole is exposed. Press the convex parts at the two ends of the weight on the balance weight inward and pull out the balance weight assembly at the same time(7). Use a dust blower ①to inject the left sleeve of the rubber sleeve((6)and the direction of the handle .And move it outward to remove the rubber sleeve(6).

●Replace the left hand rocker arm and clutch switch

Fix the bolt(⑩) with a hexagonal tool, then remove the nut(⑪) with a sleeve or a wrench, remove the bolt(⑩) and then remove the left hand rocker arm(8). First unplug the clutch switch, then remove the bolt(⑬) with a Phillips screwdriver and remove the clutch switch(⑫). The rotation adjustment nut can adjust the distance between the rocker arm and the left hand rubber sleeve to adapt to the feel of different drivers.

CAUTION:

- Press during reassembly: the left hand grip rubber sleeve - balance block - switch - left hand rocker arm - left rear view mirror.
- Note the triangle symbol on the rocker arm assembly and the assistant switch seam alignment switch.
- From mid-July 2019, the old hand switch will be switched to the new one. Production of the old model will be discontinued in the future; the old switch can be directly replaced with the new one.
- The second-generation deputy switch is equipped with a large magneto version of the motorcycle. The old motorcycle can be replaced by the second-generation deputy switch.



| FIG.16 FRONT FORK COMPONENT | | Right handle assembly | CHK | CAUTION |
|-----------------------------|----------------|--|-----|--------------|
| NO. | PART NO. | PART NAME | ADJ | |
| 1 | 1194100-002000 | ZT250-S Right rearview mirror | 1 | |
| 2 | 1100300-044000 | Front disc brake main pump assembly(without handle) | 1 | |
| 3 | 1134100-032000 | ZT250-R Right handle rocker arm (Machine) | 1 | |
| 4 | 1134200-023000 | ZT250-R Balancing block | 1 | |
| 5 | 1244100-140000 | ZT250-R right handle bar rubber sleeve(after-sale) | 1 | |
| 6 | 1184100-105000 | ZT310—R vice switch of right handle bar | 1 | Stop selling |
| | 1184200-153000 | ZT310—R Second Generation Right Handlebar Switch (LCD) | | |
| 7 | 1250205-031091 | GB70.1M6×30(stainless steel) | 2 | |
| 8 | 1100100-583000 | ZT125T front brake switch | 1 | After-sale |

Old

New

PROCEDURE:

●Rearview mirror

Hold the mirror stem in one hand, remove the nut ④ with a sleeve, and remove the small pad ③, the spring ② and the large pad ①. Remove the mirror from the front brake master pump. .

●Right handlebar to put rubber sleeve, balance block

Push the rubber sleeve (5) with the right handlebar to push forward to expose the upper balance block fixing hole; use the tool to press the convex parts at both ends of the elastic block on the balance block and pull out the balance block assembly (4), and then put the right handlebar Remove the rubber sleeve (5).

●Right handlebar half cover

Hold the front disc brake main pump (2) with one hand, and remove the bolt (7) with the hexagon socket tool. Remove the wire plug connector of the sub switch (6) and pull it out.

●Front brake switch replacement

Unplug the brake switch

Remove the bolt ⑤ attached to the front brake main pump and replace the front brake switch. Note that the boss on the brake switch is aligned with the limit hole at the arrow indication of the front brake main pump.

CAUTION:

●Periodically check that the fluid level of the brake fluid is between 3/4 of the observation window.

●Do not flush the cup directly with high pressure water.

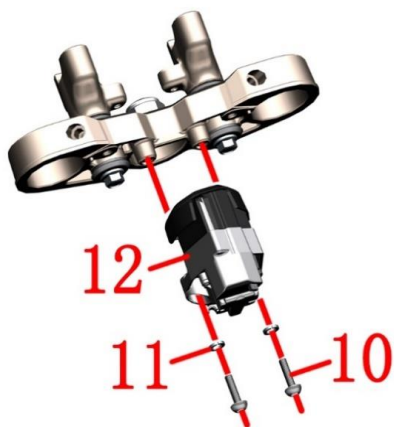
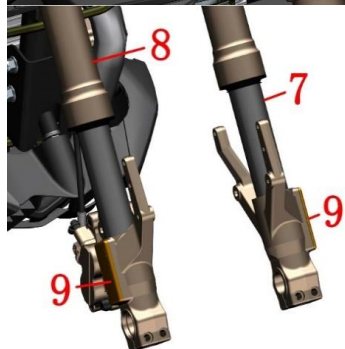
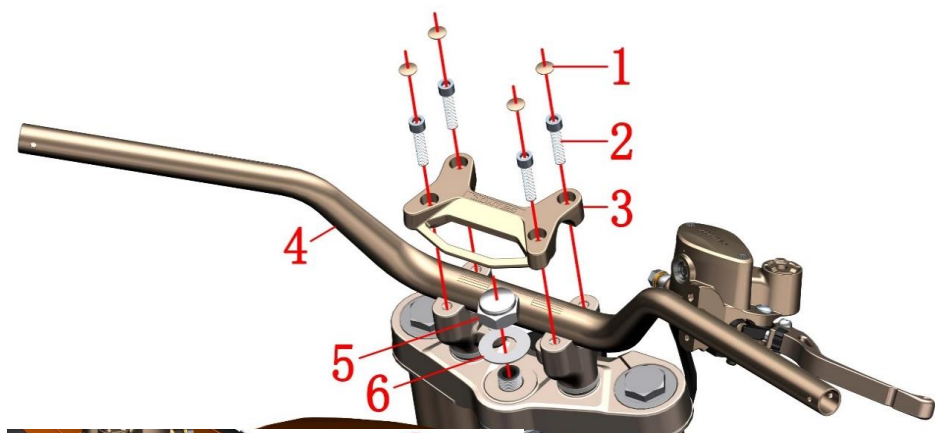
●When assembling the balance block, align the protruding parts at both ends of the shrapnel with the fixing holes on the handle and then insert the direction into the holes.

●The small spacer of the rear view mirror anti-rotation limit slot needs to be aligned with the slot on the mirror bar bolt.

●The right handlebar refers to the switch to replace the throttle line.

●The joint between the front disc brake main pump and the half cover should be aligned with the right hand to match the triangle on the switch.

●Old switch can be replaced as new models.



Old



New

| FIG.17 FRONT FORK COMPONENT | | Direction handle, upper plate assembly | CHK | CAUTION |
|-----------------------------|----------------|---|-----|----------------------------|
| | | | ADJ | |
| NO. | PART NO. | PART NAME | QTY | |
| 1 | 1224100-094051 | ZT250-S M8 bolt decorative buckle (titanium gold/WX) | 4 | |
| 2 | 1250205-034093 | GB70.1 Hexagonal Socket M8×30 (color Zinc) | 10 | |
| 3 | 1134200-005000 | ZT310—R press block of handle bar(home—made) | 1 | |
| 4 | 1134200-003000 | ZT310—R handle bar | 1 | |
| 5 | 1251300-045000 | ZT250-S Upper plate decorative nut (chrome) | 1 | |
| 6 | 1251500-050000 | ZT250-S Upper plate gasket $\phi 18.5 \times \phi 39 \times 1$ (chrome) | 1 | |
| 7 | 1114200-027000 | ZT310—R front left shock absorber(improved) | 1 | Includede reflection light |
| 8 | 1114200-028000 | ZT310—R front right shock absorber(improved) | 1 | |
| 9 | 1174100-001000 | ZT250—S reflection light | 2 | after-sales |
| 10 | 1251100-121093 | Non—standard bolt M6×25 (environmental color) | 2 | |
| 11 | 1250501-007093 | GB93 $\phi 8$ (color zinc) | 2 | |
| 12 | 1184200-034000 | ZT310—R electronic faucet lock (DC) | 1 | Stop selling |
| | 1184200-156000 | ZT250—R Faucet Lock (Electromagnetic Drive / Line Length 150) Assembly | | New |

PROCEDURE:

● Handlebar assembly

Pick up the decorative buckle(1) with a razor blade, hold the direction handle(4) with one hand, remove the bolt(2) with a hexagonal tool in one hand, remove the pressure block(3), the right pad block(5), the left pad block(6), and finally remove the handle(4).

● Uplink board assembly

Locate the faucet lock plug and remove it; remove the nut (5) and remove the shims (6). Remove the upper plate bolts (2).

● Front left and right shock absorption

Remove the bolts (2) on the lower link, and hold the shock absorber in the middle with one hand. Insert a slotted screwdriver into the slot of the upper and lower plates to slightly enlarge the slot clearance, and disassemble the left shock absorber (7) and the right shock absorber (8). under. Remove the upper plate assembly.

● Reflecting film

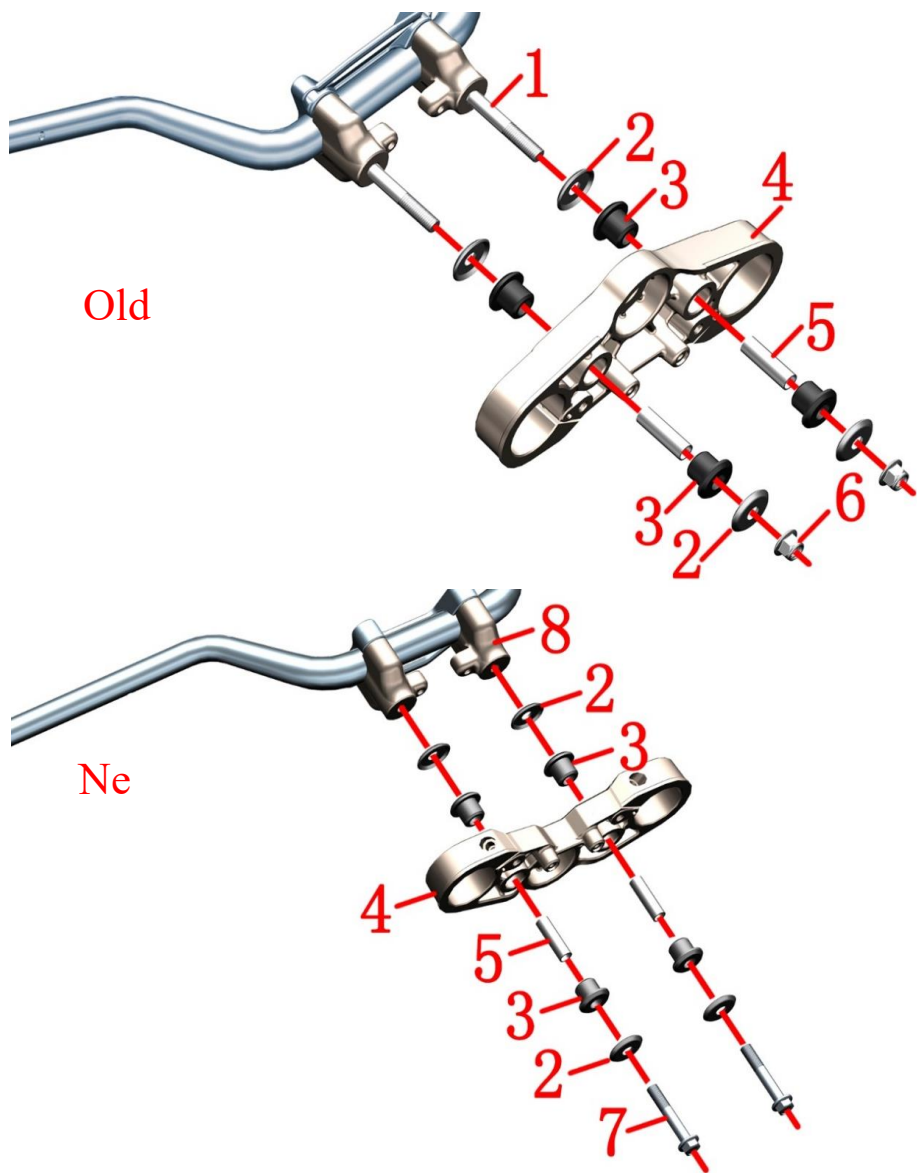
The reflector (9) is for replacement after sale (no shock reduction). The heat-reflecting sheet can be moved back and forth by a hot air blower to reduce the viscosity of the double-sided adhesive after being heated, and the residual glue should be cleaned after removing the reflector.

● Faucet lock

Remove the bolt (10), and the spring washer(11)and the faucet lock(12).

CAUTION:

- Remove the head assembly, switch, cable, balance block, etc. according to the previous operation.
- Remove the direction of the assembly can not be rotated, prevent scratching of paint.
- Use a flat-blade screwdriver to enlarge the gap between the upper and lower joint plates without applying excessive force to avoid damage
- When disassembling the shock absorber, move to the axis direction, do not rotate or swing to prevent surface scratches.
- Old faucet lock can be replaced as new models.



| Fig. 18 FRONT FORK COMPONENT | | Uplink plate, handle bar componen | CHK | |
|------------------------------|----------------|---|-----|---------|
| | | | ADJ | |
| NO. | PART NO. | PART NAME | QTY | CAUTION |
| 1 | 1134200-012000 | ZT310-R direction pad assembly | 2 | old |
| 2 | 1274200-018000 | ZT310-R gasket of upper connecting board | 4 | |
| 3 | 1244200-008000 | ZT310-R buffer rubber of upper connecting board | 4 | |
| 4 | 1134200-004000 | ZT310-R upper connecting board(home-made) | 1 | |
| 5 | 1251700-065000 | ZT310-R bushing φ10×φ12×41 | 2 | |
| 6 | 1251300-057093 | Non-standard nut M10×1.5(dacromet) | 2 | old |
| 7 | 1250105-280000 | GB5789 M10×1.25×60 (level 10.9 dacromet) | 2 | New |
| 8 | 4094200-002051 | ZT310-R direction pad M10×1.25(titanium/paint) | 2 | |

PROCEDURE:

●Uplink plate and spacer assembly

In order to facilitate the direction of the block, the direction and the upper block should be assembled first to prevent the block from rotating during the disassembly process. The direction should be wrapped with cotton or other soft materials to prevent scratching the paint surface.

Old models:

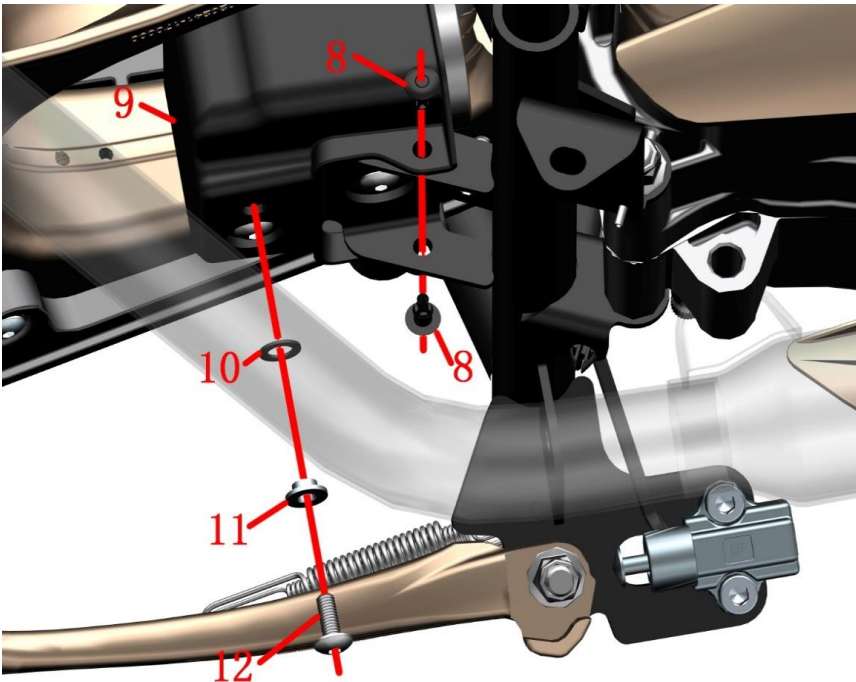
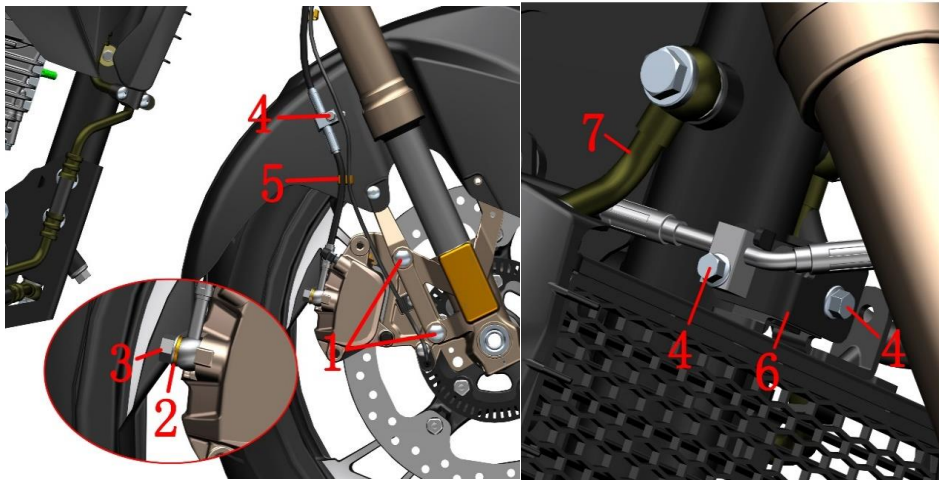
Remove the nut (6), and remove the gasket(2), cushion rubber (3), and bushing (5). Remove the upper plate(4). The direction pad component(1), the upper clamp and the direction handle are disassembled.

New models:

Remove the bolts(7), and remove the gasket(2), cushion rubber (3), and bushing (5). Remove the upper plate (4). The direction pad (8), the upper clamp and the direction handle are disassembled.

CAUTION:

- Protect protective measures to prevent scratching the appearance of parts.
- When reassembling, it is necessary to use the direction to ensure that the center and direction of the spacers on both sides are coaxial with the center. First install 4 pieces of cushioning rubber into the upper plate and then install the bushing separately. Make sure that the bushing is flush with the cushioning rubber, otherwise it should be reassembled. When tightening the nut, ensure that the torque is 40N.m. Check the buffer for spillage and reassemble if necessary.



| FIG.19 FRONT FORK COMPONENT | | ABS braking system-1 | CHK | CAUTION |
|-----------------------------|----------------|---|-----|---------|
| NO. | PART NO. | PART NAME | ADJ | |
| 1 | 1251100-080094 | Non-standard bolt M8×37 (environmental color zinc) | 2 | |
| 2 | 1251513-013000 | Disc brake pipe copper washer φ 15× φ 10.2 × 1.5 | 2 | |
| 3 | 1251100-112000 | Disc brake pipe bolt M10×1—22 | 1 | |
| 4 | 1251100-061093 | M6×22 Hex flang bolt thread level 8.8 (color zinc) | 3 | |
| 5 | 1224100-044000 | Wheel speed sensor clamp | 2 | |
| 6 | 1274100-079000 | ZT250-R Front disc brake tube bracket No.2 | 1 | |
| 7 | 1244100-069000 | ZT250—R oil cooler outlet pipe | 1 | |
| 8 | 1224100-089000 | ZT250-S Expansion nail(5 pcs/after-sale) | 2 | |
| 9 | 1224100-047000 | ZT250-R ABS hydraulic control init cover | 1 | |
| 10 | 1241200-124021 | flanging bushing buffer rubber (φ8.5×φ14×1)(5 pcs/after-sale) | 1 | |
| 11 | 1274100-155095 | Flanged bushing φ6.2×φ8.4×3.5+φ14×1.5(5 pcs/after-sale) | 1 | |
| 12 | 1251100-102000 | Non-standard bolt M6×16 (304 stainless steel) | 1 | |

PROCEDURE:

●Front disc brake pump body

First refer to the previous operation of adding brake fluid, and remove the upper cover of the front disc brake main pump. Place the oil pan, remove the bolt (3) and remove the copper pad (2) and put it in the pipeline. Place the oil pan, remove the bolt (3), remove the copper pad (2), drain the brake fluid in the pipeline. Remove the bolts (1) and remove the lower pump body of the disc brake. Remove the bolt (4) on the front mud plate, and remove the wire clamp (5). When putting brake fluid, prevent it from touching the skin or dripping onto the ground or other parts of the vehicle. For the precautions of brake fluid, please refer to the description in the operation of adding brake fluid.

●Disc front Bracket

Remove the bolt (4) near the oil outlet pipe (7) of the oil cooler, without removing the bracket (6) and the bolt (4) at the front.

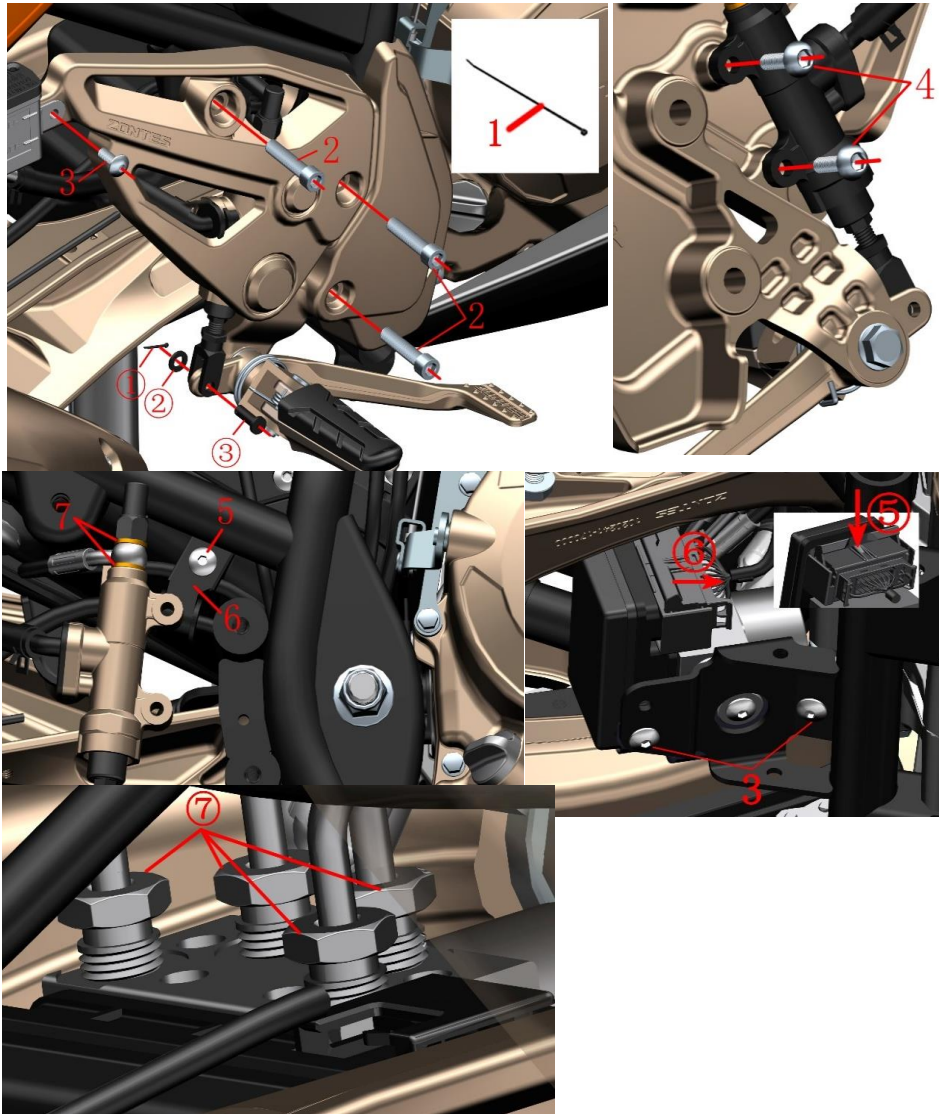
Pull the oil pipe out of the gap between the oil outlet pipe (7) and the frame.

●ABS protection cover

Refer to the steps in “Rear Flange Assembly” in the rear and rear trim assembly and remove the expansion screw(8), bolt(12), bushing(11), pad(10) and protective cover(9).

CAUTION:

- Need to remove the seat cushion, fuel tank and liner, side cover, lower shroud, hood component, muffler in advance.
- Do not disassemble the muffler and engine until they have completely cooled down.
- The motorcycle should be fixed horizontally and then disassembled.
- Because the ABS control system adopts the dry ABS control unit (ie, the ABS control unit itself does not have brake fluid), it must obtain our company's authorization code and adopt professional vacuum equipment to fill the ABS system with disc brake oil. If there is no professional equipment, it is forbidden to dismantle the whole
- Front and rear disc brakes The main pump oil cup does not need professional equipment and authorization code to add brake fluid, but need to prevent air from entering the piping.



| FIG.20 FRONT FORK COMPONENT | | ABS braking system-2 | CHK | CAUTION |
|-----------------------------|----------------|---|-----|---------|
| | | | ADJ | |
| NO. | PART NO. | PART NAME | QTY | |
| 1 | 1226000-218000 | Grade 0 flame retardant tie (black 3.6×295)(5 pcs/after-sa | 3 | |
| 2 | 1250205-023000 | GB70.1 Hexagonal Socket M8×35 (color Zinc) | 3 | |
| 3 | 1251100-102000 | Non—standard bolt M6×16(304 stainless steel) | 3 | |
| 4 | 1251100-121093 | Non-standard bolt M6×25 (green color) | 2 | |
| 5 | 1251100-101000 | Non-standard bolt M6×12 (304 stainless steel) | 1 | |
| 6 | 1274100-076000 | ZT250-R Rear disc brake oil pipe clamp (steel) | 1 | |
| 7 | 1251513-013000 | Disc brake pipe copper washer φ 15× φ 10.2 × 1.5 | 2 | |
| 8 | 1251112-001093 | M6×16 Hexagon flange bolts (color zinc) | 1 | |
| 9 | 1274100-088000 | ZT250-R Rear disc brake oil pipe clamp (steel / rubber pad) | 1 | |

PROCEDURE:

● Foot support assembly

Cut the cable tie (1); remove the split pin ①, gasket ②, and pin ③ at the connection between the rear brake main pump and the brake pedal. After removing the bolt (2), turn the pedal bracket assembly to the back and remove the bolt (4).

● Some components of ABS braking system

Place the oil pan, wear waterproof gloves, remove the copper pad (7) on the rear brake main pump with tools, and drain the brake fluid.

Remove the bolt(5) with the hexagonal tool and pull the tubing out of the bracket(6).

● ABS control unit assembly

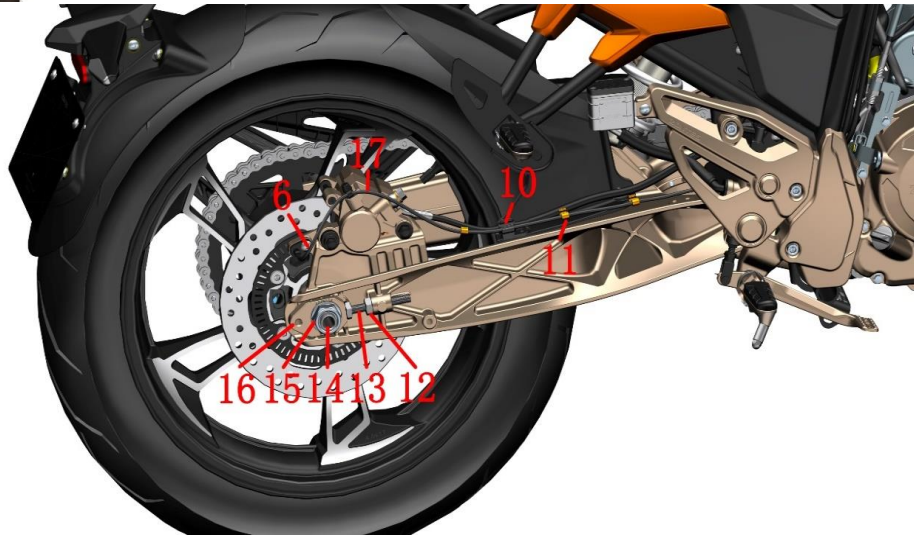
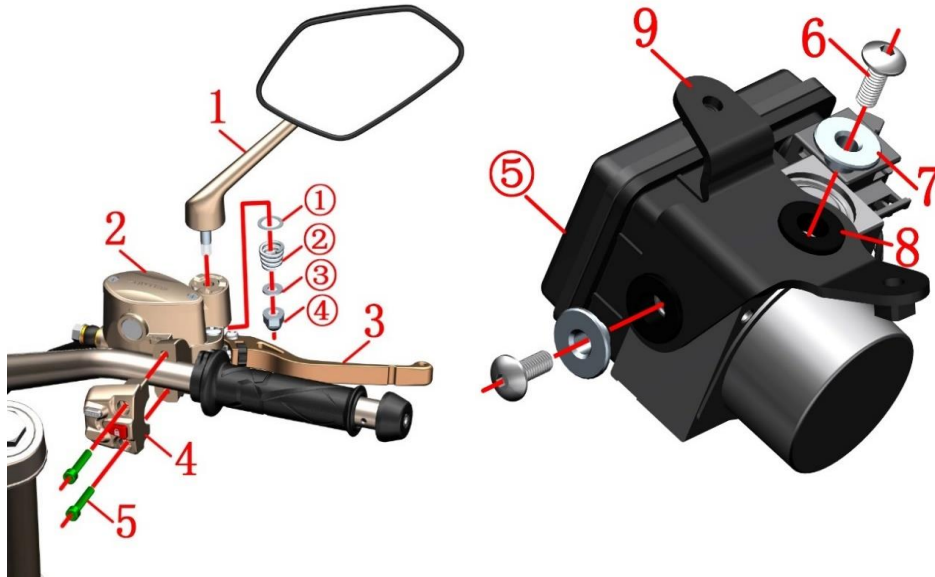
Remove the bolts(3)at the joint between the ABS control unit and the frame, and cut the tie(1).

Press the limit tab⑤ on the cable connector and push the lever⑥ in the direction of the arrow to pull out the cable connector.

Pull out the ABS control unit assembly and place the oil pan underneath. First loosen the cross bolt on the upper lid of the front disc brake oil cup, and then loosen the nut ⑦with an open wrench to empty the brake fluid in the tubing. Finally clean the oil with a clean non-woven cloth.

CAUTION:

- Need to remove the seat cushion, fuel tank and liner, side cover, lower shroud, hood component, muffler in advance.
- Do not disassemble the muffler and engine until they are completely cooled.
- The motorcycle should be fixed horizontally and then disassembled.
- Because the ABS control system adopts the dry ABS control unit (ie, the ABS control unit itself does not have brake fluid), it is necessary to obtain our company's authorization code and use of professional vacuum equipment to fill the ABS system with disc brake oil. If there is no professional equipment, it is forbidden to dismantle the whole system without authorization, otherwise it may cause the brake to fail, resulting in accidental injury.
- Front and rear disc brakes The main pump oil cup does not need professional equipment and authorization code to add brake fluid, but need to prevent air from entering the piping.
- The torque standard of nut⑦ is 18N.m.



| FIG.21 FRONT FORK COMPONENT | | ABS braking system-3 | CHK | CAUTION |
|-----------------------------|----------------|--|-----|--------------|
| | | | ADJ | |
| NO. | PART NO. | PART NAME | QTY | |
| 1 | 1194100-002000 | ZT250-S Right rearview mirror | 1 | |
| 2 | 1100300-044000 | ZT125T front disc main pump assembly(without rocker arm) | 1 | |
| 3 | 1134100-032000 | ZT250-R Right handle rocker arm (Machine) | 1 | |
| 4 | 1184100-105000 | ZT310-R vice switch of right handle bar | 1 | Stop selling |
| | 1184200-153000 | Second Generation Right Handlebar Switch (LCD) | | |
| 5 | 1250205-031091 | GB70.1M6×30(stainless steel) | 2 | |
| 6 | 1251100-102000 | Non-standard bolt M6×16 (304 stainless steel) | 3 | |
| 7 | 1274101-015000 | ZT250-S flanging sleeve(φ6.4×φ9×6+φ20×2)(5 pcs/afte | 2 | |
| 8 | 1244100-137000 | ZT250-S Flanging bushing buffer(5 pcs/after-sale) | 2 | |
| 9 | 4024100-020000 | ZT250-R ABS mounting bracket | 1 | |
| 10 | 1224200-003000 | ZT310-Z Rear disc brake oil clamp | 1 | |
| 11 | 1224100-044000 | Wheel speed sensor clamp | 3 | |
| 12 | 1251300-050000 | ZT310-Z Chain adjuster nut M10 (304 stainless steel) | 1 | |
| 13 | 1251100-105000 | ZT310-Z chain adjuster bolt M10×70 (304 stainless steel) | 1 | |
| 14 | 1094100-032000 | ZT250-R Rear wheel hollow shaft | 1 | |
| 15 | 1251300-067000 | ZT250-R Rear wheel hollow shaft nut | 1 | 110N.m |
| 16 | 1274100-072000 | ZT310 Right adjuster | 1 | |
| 17 | 1184200-045000 | DF30 wheel speed sensor | 1 | |

PROCEDURE:

● Front disc brake main pump assembly

Referring to the steps of "Right Handle Assembly" and "Adding Brake Fluid, Rocker Adjustment", remove the rearview mirror(1), the front brake main pump(2), the rocker arm(3), the half cover(4), and the bolt(5). Remove the tube.

● ABS mounting bracket assembly

Remove the bolt(6), bushing(7), bracket(9) and ABS control unit⑤ with the hexagonal tool; remove the buffer(8) from the bracket.

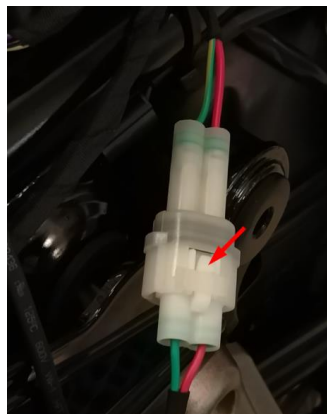
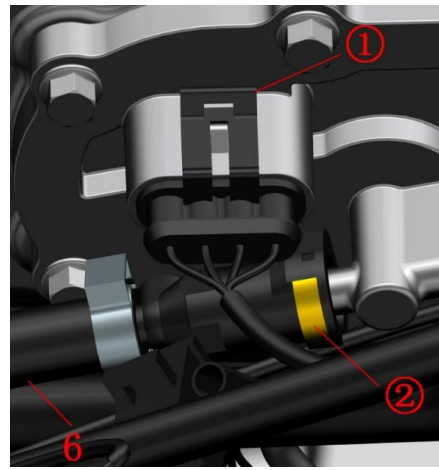
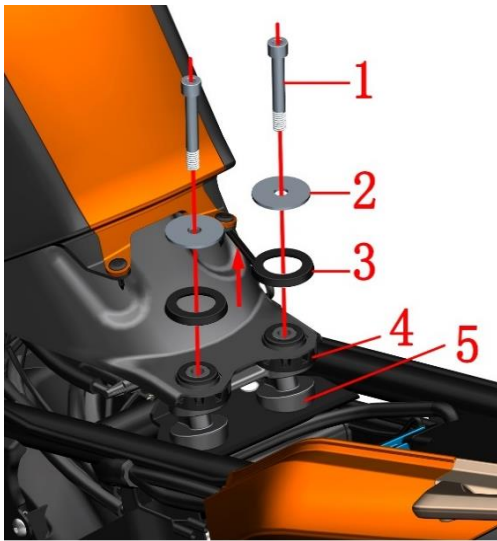
● ABS rear assembly

Remove the clip(11); pull the tubing from the clip(10); remove the bolt(6) with the hexagonal tool and pull the wheel speed sensor(17) out from the rear caliper.

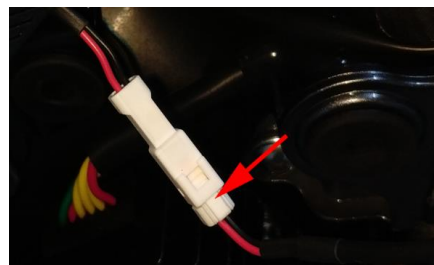
Refer to the steps of the "rear wheel assembly" in the rear and rear trim assembly. Turn the nut(12) and bolt(13) forward and remove the hollow shaft nut(15). Hold the rear wheel assembly with one hand and tap the hollow end of the hollow shaft(14) with a rubber hammer to retract the hollow shaft until the caliper can be removed.

CAUTION:

● Because of the special nature of the brake system, it is not recommended to dismantle and repair it by yourself; be sure to give it to a qualified repair center.



A



B

| FIG.1 FUEL TANK INNER COVER | | Fuel tank inner tank component | CHK | CAUTION |
|-----------------------------|----------------|---|-----|---------|
| NO. | PART NO. | PART NAME | ADJ | |
| 1 | 1250205-043093 | GB70.1M8×55 (environmental color) | 2 | |
| 2 | 1251900-028093 | Fuel tank flat gasket (environmental color) | 2 | |
| 3 | 1244100-020000 | Fuel tank press rubber | 2 | |
| 4 | 1244100-053000 | Fuel tank gasket rubber | 2 | |
| 5 | 1274100-080000 | Seat fixed block | 1 | |
| 6 | 1050954-006000 | Fuel injection high pressure subcomponent | 1 | |

PROCEDURE:

● Fuel tank inner tank component

Short press the unlock button "🔒", after the power-on self-check is completed, short press "🛢️" to open the outer cover of the fuel tank. Be careful not to close the outer cover of the fuel tank.

Remove the bolts (1) with the inner hex tool; Remove flat gasket (2) and press rubber (3).

Lift the rear of the tank, remove the gasket rubber (4) and fix the seat block (5).

Locate and unplug the cable connector of the electronic fuel tank lock near the front of the right side cover (Figure A)

Locate and unplug the electronic PKE external antenna cable connector near the front of the left side cover (picture B).

Pull the main line limit card ① into the outside and pull out the plug.

Find the limit card ring ② on the top of the high pressure tubing unit (6), and press the pressure to the outside.

Continue to raise the tank's bladder component, clamp the pipe clamp on the air pipe by the arrow direction, and remove the vent pipe.

Move the tank inside the tank slightly to the left and right and then pull back to the top.

CAUTION:

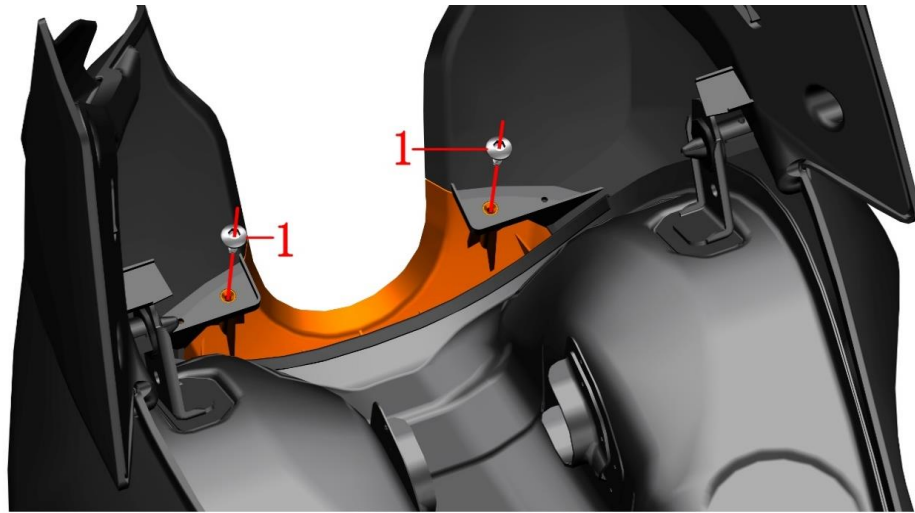
● Remove the seat cushion, side cover, fuel tank cover, etc. in advance.

● When the high pressure fuel pipe is removed, it must be operated after the engine and muffler are completely cooled to prevent accidental ignition of the fuel.

● Fireworks should be strictly prohibited in the vicinity of the motorcycle repair place, answering or dialing, etc. to prevent accidents.

● A small amount of fuel leaks when the high pressure pipe subassembly is pulled out. Prevent the fuel from dripping outside the engine or muffler.

● When disassembling the tank assembly, it is recommended that the fuel be pumped out by the fuel pump or consumed at first.



| FIG.2 FUEL TANK COVER | | Fuel tank middle cover assembly | CHK | |
|-----------------------|----------------|--|-----|---------|
| NO. | PART NO. | PART NAME | ADJ | |
| 1 | 1251200-033093 | Non-standard nut (environmental color) | 2 | CAUTION |
| 2 | 1251100-102000 | Non-standard bolts M6×16 (304 stainless steel) | 2 | |
| 3 | 1224100-089000 | ZT250-S Expansion nail(5 pcs/after-sale) | 2 | |

PROCEDURE:

● Fuel tank middle cover assembly

Turn the Fuel tank cover and Fuel tank liner assembly upside down and remove the bolt (1). Be careful not to close the Fuel tank cover and take care to protect the paint surface.

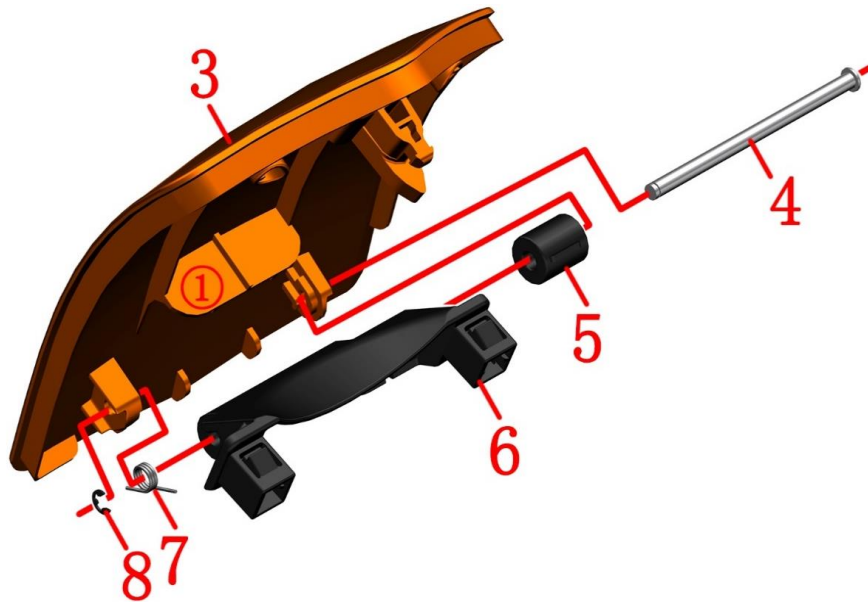
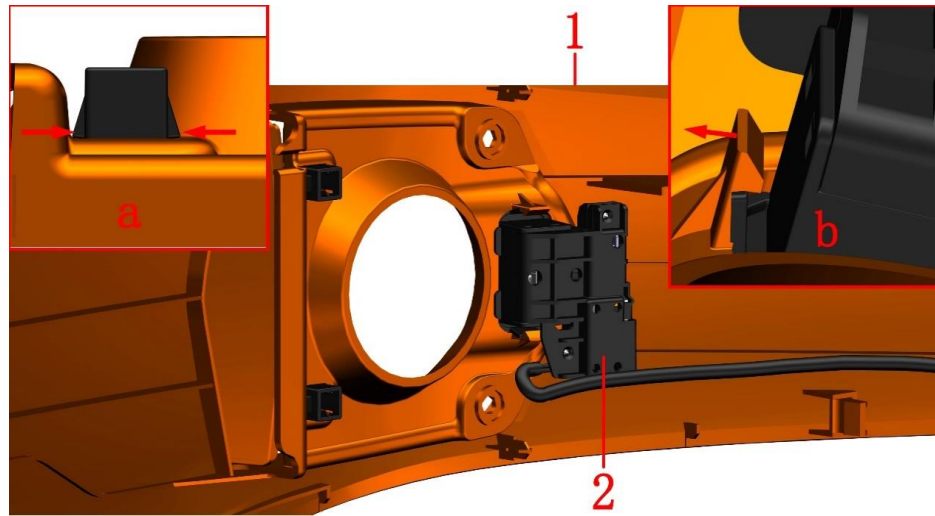
Remove the swell nail.(3)


Remove the bolt (2) with the hexagonal tool and be careful not to pull the Fuel tank cover nylon rope①.

Pull back the middle cover assembly and remove it.

CAUTION:

- Make sure the motorcycle is fixed during the process of discomponent.
- Do not close the fuel tank cover and do not release the fuel tank cover when disassembling.
- The torque of the self-tapping screw during reassembly should not be too large to prevent damage to the fuel tank cover.
- The material should be protected during the disassembly process to prevent damage to the paint surface.



| FIG.3 FUEL TANK COVER | | Fuel tank middle cover、Fuel tank cover、Fuel tank lock | CHK ADJ |  |
|-----------------------|----------------|---|------------|---|
| NO. | PART NO. | PART NAME | QTY | CAUTION |
| 1 | 4044101-003033 | ZT250—R Fuel tank middle cover (bright orange) | 1 | orange |
| | 4044101-003064 | ZT250—R Fuel tank middle cover (bright blue) | | blue |
| | 4044101-003021 | ZT250—R fuel tank middle cover (special black) | | gray |
| | 4044101-003051 | ZT250-R fuel tank cover (titanium) | | special black |
| 2 | 1184200-002000 | ZT310 electronic fuel tank lock | 1 | |
| 3 | 4044100-010033 | ZT250—S Fuel tank cover (bright orange) | 1 | orange |
| | 4044100-010064 | ZT250—S Fuel tank cover (bright blue) | | blue |
| | 4044100-010021 | ZT250—S fuel tank cover (special black) | | gray |
| | 4044100-010051 | ZT250—S fuel tank cover (titanium) | | special black |
| 4 | 1274101-016000 | ZT250-S rotating axle of fuel tank outside cover(after-s | 1 | |
| 5 | 1224100-014000 | ZT250—S Fuel tank cover spinning damping | 1 | |
| 6 | 1274100-021000 | ZT250—S Fuel tank cover rotating bracket | 1 | |
| 7 | 1260100-255000 | ZT250-S torsion spring of tank outer cover rotating shaft | 1 | |
| 8 | 1260100-469000 | ZT310-T storage box cover rotating shaft limit circlip(5 | 1 | |

PROCEDURE:

●Fuel tank lock

Use a slotted screwdriver to carefully open the two ends of the middle cover, as shown in Figure b, remove the Fuel tank lock (2), pay attention to prevent damage to the buckle.

●Fuel tank cover assembly

Hold the clamp of the rotating bracket (6) with a needle-nose pliers and clamp it sbrightly. As shown in Figure a, remove the cover assembly and pay attention to prevent damage to the buckle.

Use the shaft to remove the retainer(8) on the rotation shaft (4) with the circlip pliers. Remove the rotating shaft(4), separate the torsion spring (7), rotating bracket (6), damper (5).

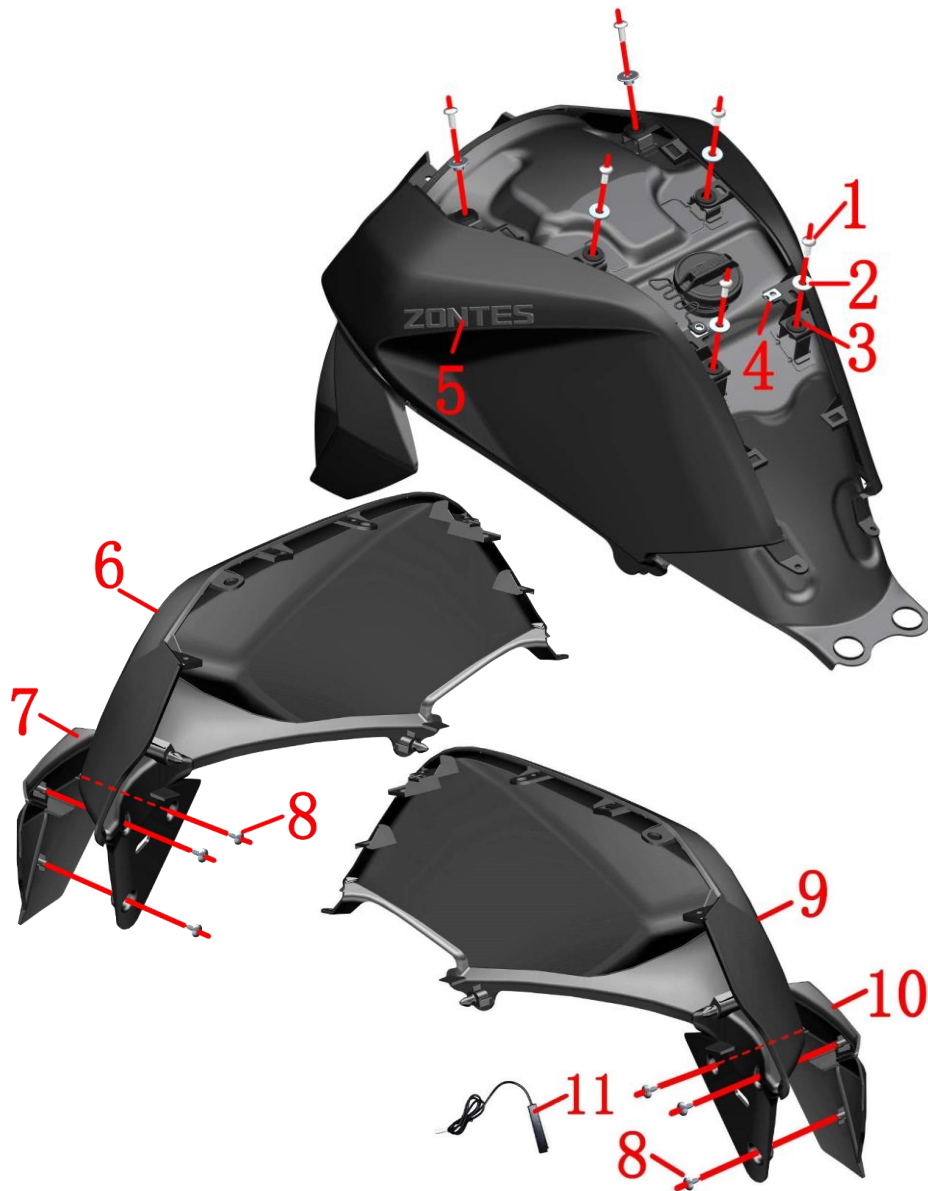
CAUTION:

●Proper material should be protected during disassembly to prevent damage to the paint surface.

●Take care when disassembling the buckle to prevent damage to the buckle.

●Be careful not to lose your own spring when removing the rotating bracket

●When assembling, pay attention to whether the length of the process clip ① on the cover is too long. If it is too long, be sure to cut it short.



| FIG.4 FUEL TANK COVER | | Fuel tank left and right cover assembly | CHK | ⚠ |
|-----------------------|----------------|--|-----|----------------|
| | | | ADJ | |
| NO. | PART NO. | PART NAME | QTY | CAUTION |
| 1 | 1251100-102000 | Non-standard bolt M6×16 (stainless steel) | 6 | |
| 2 | 1274101-015000 | ZT250-S flanging sleeve(φ6.4×φ9×6+φ20×2)(5 pcs/af | 6 | |
| 3 | 1244100-137000 | ZT250-S Flanging bushing buffer(5 pcs/after-sale) | 6 | |
| 4 | 1251300-063093 | Plywood M6×11×15 (environmental color) | 2 | |
| 5 | 1210141-001000 | ZT250—S Fuel tank sticker | 2 | for after-sale |
| 6 | 4044101-002036 | ZT250—R right tank cover (electroplated bright gray highlight) | 1 | 【1】 |
| | 4044101-002021 | ZT250—R right tank cover (special black) | | special black |
| 7 | 4044100-011036 | ZT250—S fuel tank right decorative cover | 1 | 【1】 |
| | 4044100-011021 | ZT250—S fuel tank right decorative cover (special black) | | special black |
| 8 | 1251200-033093 | Non-standard tapping screw ST4.2×12 | 6 | |
| 9 | 4044101-001036 | ZT250—R left tank cover (electroplated bright gray highlight) | 1 | 【1】 |
| | 4044101-001021 | ZT250—R left tank cover (special black) | | special black |
| 10 | 4044100-013036 | gray highlight) | 1 | 【1】 |
| | 4044100-013021 | ZT250—S fuel tank left decorative cover (special black) | | special black |
| 11 | 1184200-053000 | ZT310PKE external single antenna | 1 | |

PROCEDURE:

●Fuel tank left and right cover assembly

Remove the bolt (1), bushing (2), buffer rubber (3) and plywood (4) with the hexagonal tool. Remove the fuel tank left and right cover assembly.

●Disassemble fuel tank left cover assembly

Remove the screw (8) with the hexagonal tool, remove the left side cover decorative cover (10), and the left Fuel tank cover (9).

●Disassemble fuel tank right cover assembly

Remove the screw (8) with the hexagonal tool, remove the right side cover decorative cover (7), and the left Fuel tank cover (6).

●PKE antenna

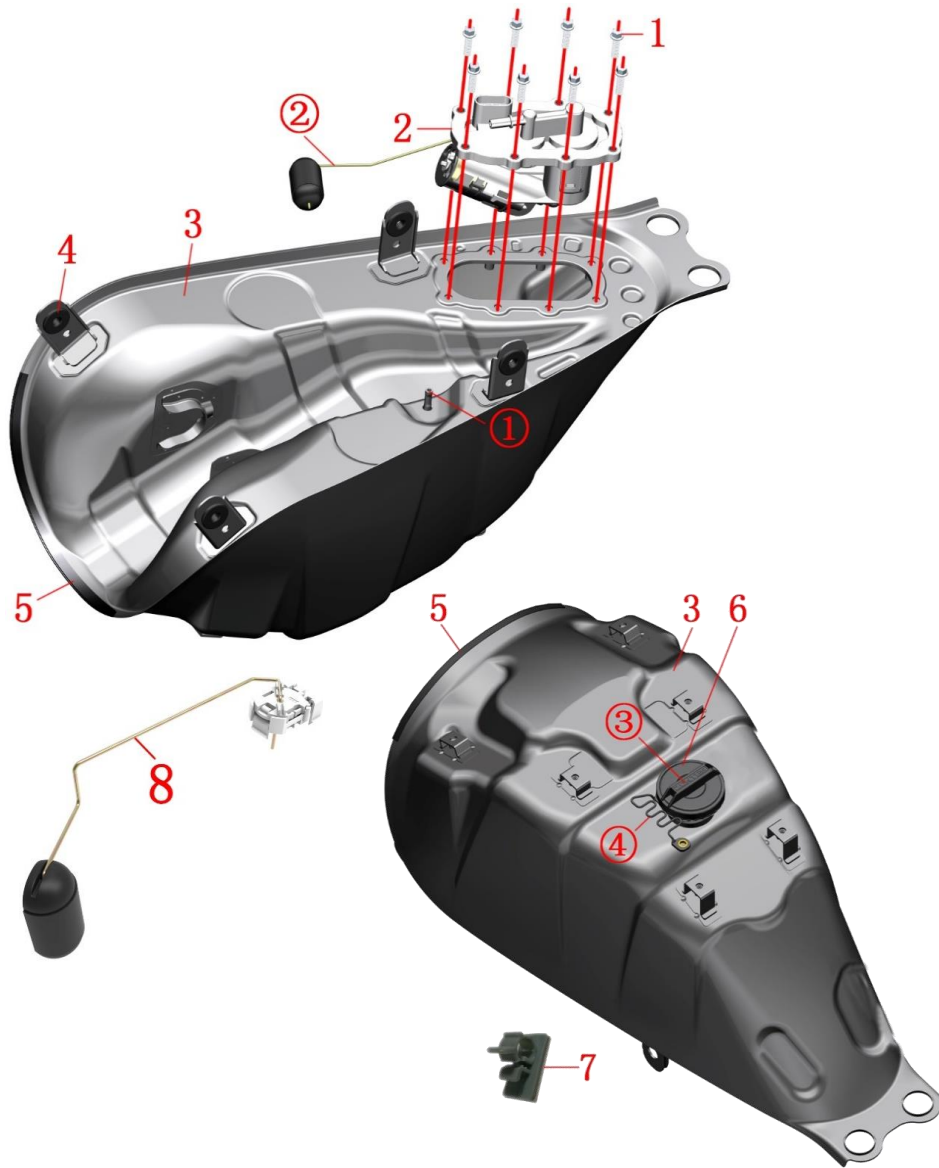
Remove the PKE external antenna from the upper part of the left cover of the fuel tank. Use a hot air gun to heat up a bit, remove the double-sided glue, and clean the residual glue.

●Fuel tank sticker

If the Fuel tank sticker needs to be replaced with a hot air gun or a hair dryer, it can be moved back and heated and then torn off. The fuel tank sticker can be purchased separately as an optional part. Crude fuel tank left and right Fuel tank covers already contain this sticker

CAUTION:

- The paint surface should be protected when disassembling, pay attention to strength.
- The torque of the tapping screw should not be too large during reassembly to prevent damage to the Fuel tank cover.
- 【1】 use for bright orange /bright blue /dark bright gray vehicle.



| FIG.5 FUEL TANK INNER COVER | | Fuel tank inner tank | CHK | CAUTION |
|-----------------------------|----------------|---|------|---------|
| NO. | PART NO. | PART NAME | ADJ | |
| 1 | 1250105-137093 | GB5789M6×16 (environmental color) | 8 | |
| 2 | 1050953-020000 | T02 built-in fuel pump | 1 | |
| 3 | 4034100-006000 | Fuel tank inner tank | 1 | |
| 4 | 1244100-138000 | ZT250-S Side cover round rubber(5 pcs/after-sale) | 4 | |
| 5 | 1240300-397021 | HJ125-6 pod glass strip (1.5m)(after-sale) | 0.17 | |
| 6 | 1224100-033000 | Fuel tank cap | 1 | |
| 7 | 1224200-283000 | ZT310PKE External antenna mount(after-sale) | 1 | |
| 8 | 1164100-006000 | T02 oil level sensor | 1 | |

PROCEDURE:

● Fuel pump

Place the tank inside the tank and place it firmly and remove the bolt (1) with the sleeve.

When the fuel pump(2) is removed, do not bend or bend the float rod(2) to prevent the oil output from being inaccurate.

● Side cover round rubber

Squeeze the side cover round the side of the glue (4) with your hand and squeeze it out of the tank.

● Plastic piece

Use your hand to tear off the tape (5) counterclockwise. at the end of the tape.

● Fuel tank cap

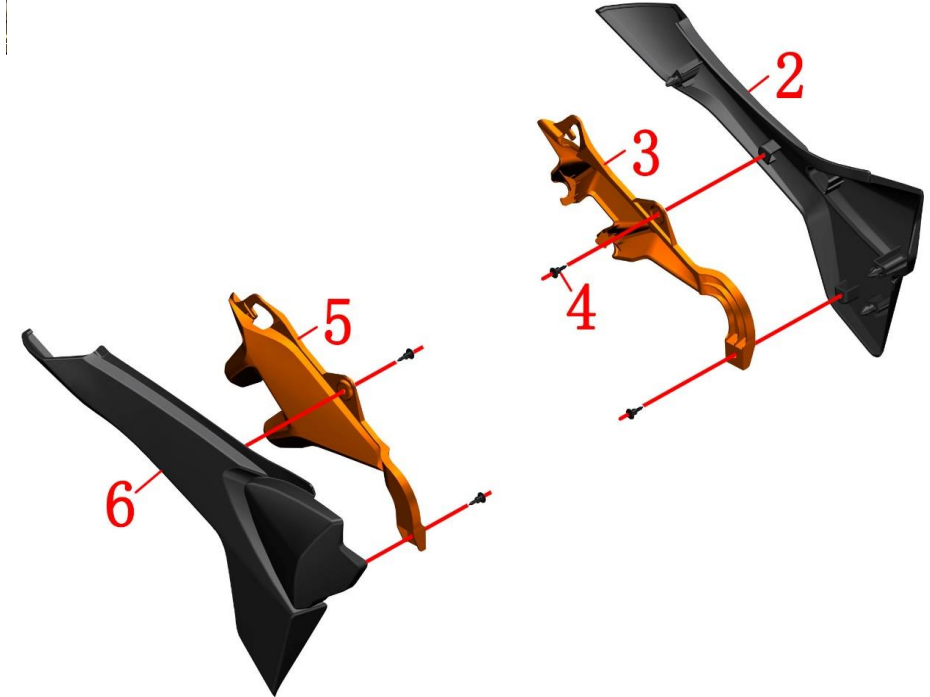
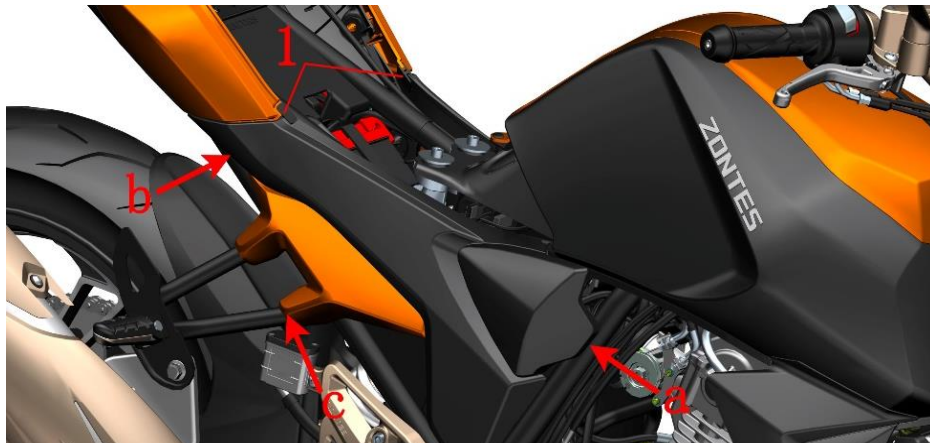
Tighten it by hand (3) Remove the fuel tank cap by turning it counterclockwise (6), be careful not to pull the nylon rope (4).

● Fuel tank cap

After removing the antenna fixing block (7) from the inner container assembly, clean up the remaining glue.

CAUTION:

- When disassembling the tank assembly, it is recommended that the fuel be pumped out by the fuel pump or consumed at first.
- Fireworks should be strictly prohibited in the vicinity of the motorcycle repair place, answering or dialing, etc. to prevent accidents.
- Reverse the tank assembly. When removing the fuel pump, be sure to check whether the fuel tank cover has been tightened to prevent residual fuel from escaping from the tank port; there may be a small amount of fuel in the vent pipe (1) when the tank cover is removed.
- When reassembling the fuel pump, be sure to clean the joint surfaces of the clean fuel pump seal pad and the tank liner. When locking the bolt, ensure that the seal gasket is evenly deformed by staggering the position.
- It is forbidden to forcefully pull the cable when removing the timer lock.
- When assembling the fuel tank cap, pay attention to rotating (3) to the position shown in the figure. In other positions, it may interfere with the process clip of the fuel tank cover.
- T02 oil level sensor dose not contain fuel pump body. Make sure you have the ability to change it.



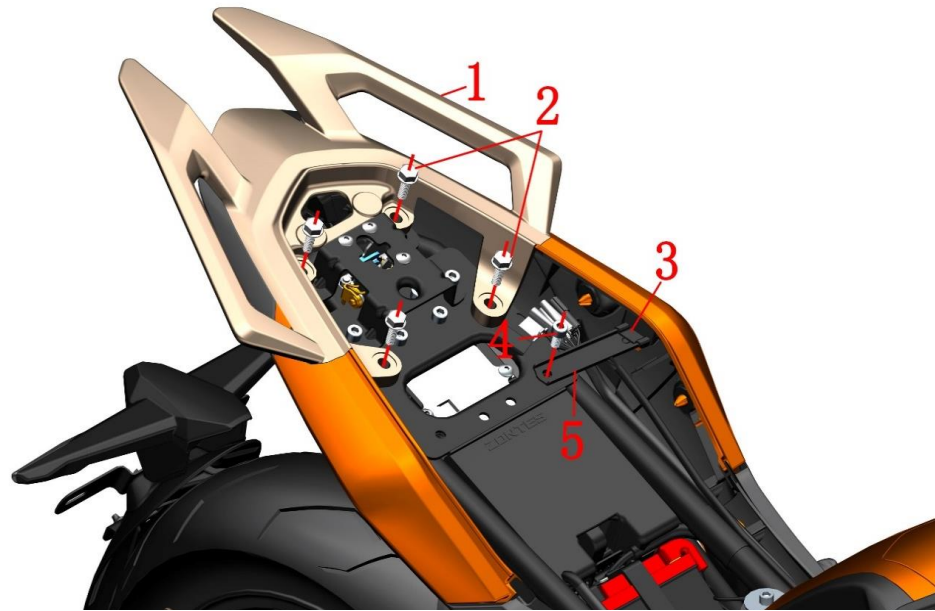
| FIG.1 SIDE COVER COMPONENT | | Side cover assembly | CHK | CAUTION |
|----------------------------|----------------|---|-----|---------------|
| NO. | PART NO. | PART NAME | ADJ | |
| 1 | 1224100-024000 | ZT250—S Plastic connection piece | 2 | |
| 2 | 4044100-016036 | ZT250—S left side cover (electroplated bright gray highlight) | 1 | special black |
| | 4044100-016021 | ZT250—S left side cover (special black) | | |
| 3 | 4044100-021033 | Left side cover decorative cover (bright orange) | 1 | orange |
| | 4044100-021064 | Left side cover decorative cover (light blue) | | blue |
| | 4044100-021021 | ZT250—S left side cover decorative cover (special black) | | gray |
| | 4044100-021036 | ZT250—S left side cover decorative cover (electroplated bright gray highlight) | | special black |
| 4 | 1224100-089000 | ZT250-S Expansion nail(5 pcs/after-sale) | 4 | |
| 5 | 4044100-020033 | Right side cover decorative cover (bright orange) | 1 | orange |
| | 4044100-020064 | ZT250—S right side cover cover (bright blue) | | blue |
| | 4044100-020021 | ZT250—S right side cover decorative cover (special black) | | gray |
| | 4044100-020036 | ZT250—S right side cover decorative cover (electroplated bright gray highlight) | | special black |
| 6 | 4044100-014036 | ZT250—S right side cover (electroplated bright gray highlight) | 1 | special black |
| | 4044100-014021 | ZT250—S right side cover (special black) | | |

PROCEDURE:

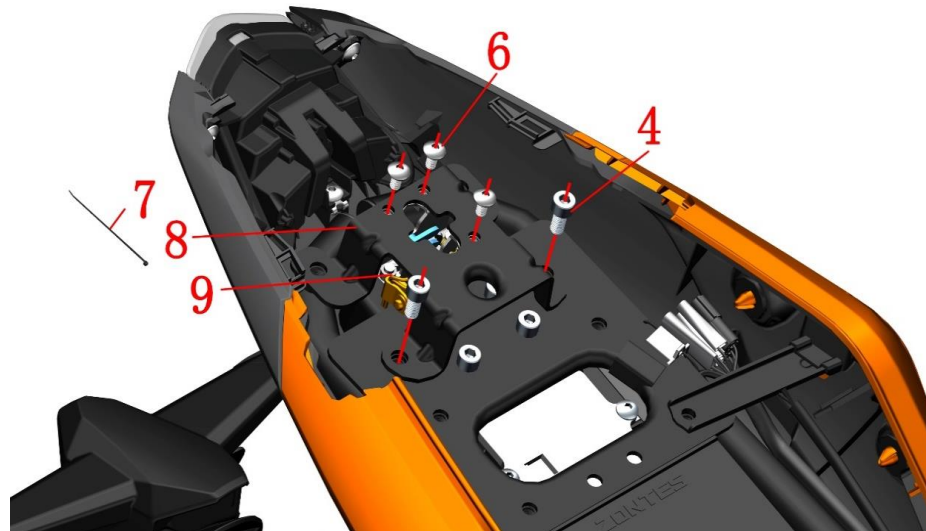
- Side cover assembly
- Remove the plastic connection piece (1).
- Press the a-end of the right side cover to pull out forcibly, then pull out the b-end, remove the right cover assembly; Similarly remove the left cover assembly.
- Use a small cross screwdriver to press the center of the expansion nail down.
- Separate the side cover and the side cover decorative cover.

CAUTION:

- Make sure the motorcycle is fixed during the process of disassembly.
- Use force to pull outwards when removing the side cover assembly, do not pull it diagonally to prevent breaking the staple bolt.
- When assembling the side cover assembly, it should first install the b-end, then install the a-end, and then press c-end to attach the decorative cover to the frame pipe.



| FIG.1 REAR COVER COMPONENT | | Rear handrail、Cushion lock bracket | CHK | CAUTION |
|----------------------------|----------------|---|-----|---------|
| | | | ADJ | |
| NO. | PART NO. | PART NAME | QTY | |
| 1 | 1144100-001000 | ZT250—S Rear handrail | 1 | |
| 2 | 1251100-123093 | Non-standard bolt M8×25 (environmental color) | 4 | |
| 3 | 1244100-065000 | ZT250-S rear cover left limit rubber | 1 | |
| 4 | 1250205-040095 | GB70.1 inner hex bolt M8×16(color Zinc) | 3 | |
| 5 | 1274100-075000 | ZT250—S Rear cover left limit bracket | 1 | |
| 6 | 1251100-101000 | Non—standard bolt M6×12 (304 stainless steel) | 3 | |
| 7 | 1224100-051000 | Grade 0 flame retardant tie (black 2.5×100) | 2 | |
| 8 | 1020241-229000 | ZT250—R seat cushion lock bracket | 1 | |
| 9 | 1274100-058000 | ZT310 Electric seat lock | 1 | |

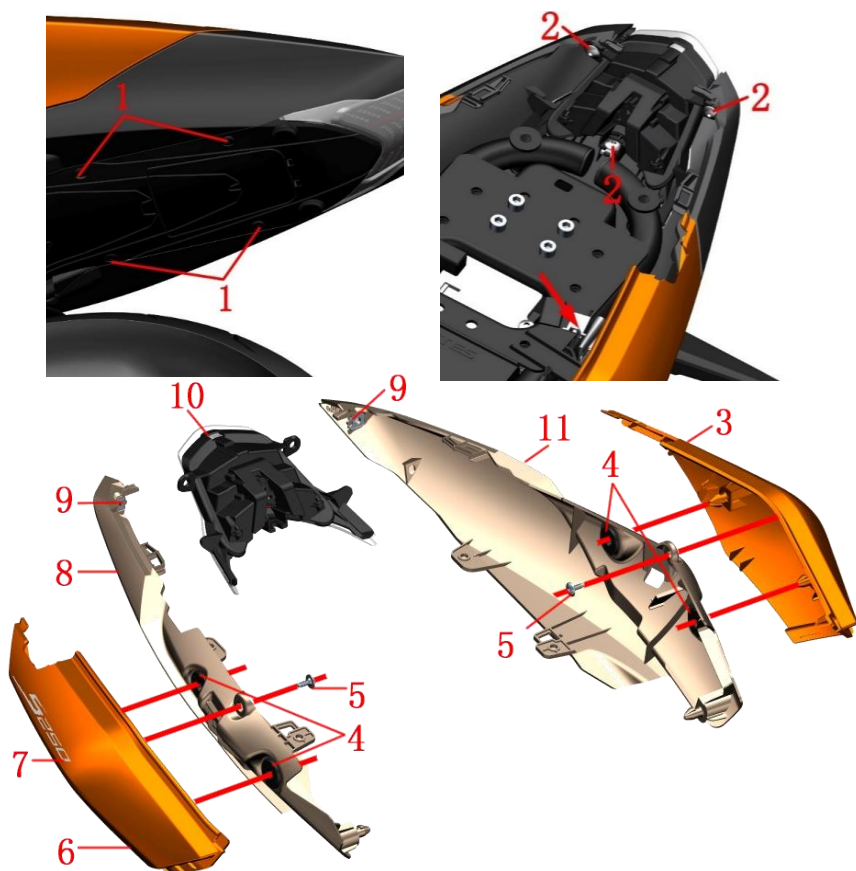


PROCEDURE:

- Rear handrail
Remove the bolt (2) with the sleeve and remove the rear handrail (1).
- Rear cover left limit bracket
Remove the bolt (4) in the upper left figure with the inner hexagon tool.
Remove the left limit bracket (5) and remove the lower limit rubber (3) from the bracket.
- Cushion lock bracket
Remove the 2 bolts (4), and lift the cushion lock assembly.
Remove the 3 bolts (6), and separate the cushion lock (9) from the cushion lock bracket (8)
Cut or remove the cable tie (7), find and remove the cable connector of the cushion lock (9)

CAUTION:

- Make sure the motorcycle is fixed during the process of discomponent.
- In the process of discomponent, the material should be protected to prevent damage to the paint surface.



PROCEDURE:

● Rear cover component

Remove the four expansion nails (1), remove the three bolts (2) with the hexagonal tool, and pull the front end of the rear cover off the frame.

Locate and unplug the cable connector of the rear taillight, grasp the rear taillight (10) and push the left tail skirt assembly back and take it off. Similarly, remove the right tail skirt assembly and remove the rear taillight (10). Separate the PKE short antenna head from the right tail skirt. Tear off the double-sided tape after heating it with a heat gun, and clean up the remaining adhesive. The PKE antenna is a Velcro + double-sided adhesive glued on the right tail skirt.

Remove the bolt (5) of the left rear cover assembly, and force the left trim cover (3) and the left rear cover (11) apart, remove the round rubber (4) and the plywood (9).

Similarly remove the right trim cover (6) and the right rear cover (8).

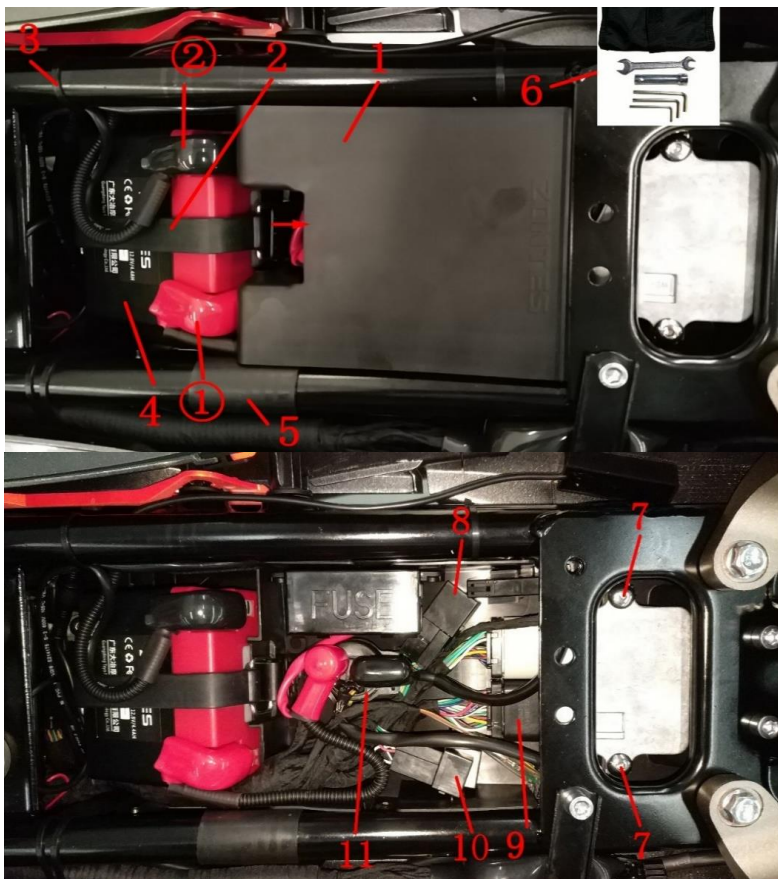
| FIG.2 REAR COVER COMPONENT | | Rear skirt 、 rear light component | CHK | CAUTION |
|----------------------------|----------------|--|-----|---------------|
| NO. | PART NO. | PART NAME | ADJ | |
| 1 | 1224100-089000 | ZT250-S Expansion nail(5 pcs/after-sale) | 4 | |
| 2 | 1251100-101000 | Non-standard bolt M6×12 (304 stainless steel) | 3 | |
| 3 | 4044101-006033 | ZT250-R rear left cover (bright orange) | 1 | orange |
| | 4044101-006064 | ZT250-R rear left cover (bright blue) | 1 | blue |
| | 4044101-006021 | ZT250-R rear left decorative cover (special black) | 1 | gray |
| | 4044101-006036 | ZT250-R rear left decorative cover (electroplated bright gray highlights) | 1 | special black |
| 4 | 1244100-138000 | ZT250-S Side cover round rubber(5 pcs/after-sale) | 4 | |
| 5 | 1251200-033093 | Non-standard self-tapping screw ST4.2×12 | 2 | |
| 6 | 4044101-007033 | ZT250-R right decorative cover of rear cover(bright orange) | 1 | orange |
| | 4044101-007064 | ZT250-R right decorative cover of of rear cover (bright blue) | 1 | blue |
| | 4044101-007021 | ZT250-R rear right decorative cover (special black) | 1 | gray |
| | 4044101-007036 | ZT250-R rear right decorative cover (electroplated bright gray highlights) | 1 | special black |
| 7 | 1210341-001000 | ZT250-R Rear cover sticker | 2 | |
| 8 | 4044100-001036 | Rear right side cover(electroplated bright gray highlights) | 1 | 【1】 |
| | 4044100-001021 | ZT250-S rear cover right (special black) | 1 | special black |
| 9 | 1251300-063093 | Plywood M6×11×15 (environmental color) | 2 | |
| 10 | 1174100-007000 | ZT250-S Rear tail light | 1 | |
| 11 | 4044100-003036 | Rear left side cover(electroplated bright gray highlights) | 1 | 【2】 |
| | 4044100-003021 | ZT250-S rear left cover (special black) | 1 | special black |

● Sticker

The trim cover of rear cover already contains the rear cover stickers, if you need to replace it, you can buy another one on Zontes official website.

CAUTION:

- Be sure to fix the motorcycle during discomponent.
- Pay attention to the discomponent process to avoid damaging the material.
- 【1】、【2】 are used for orange /bright blue/dark blue vehicle.

**PROCEDURE:**● **Electrical device box cover**

Pull the metal buckle of the electrical device box cover (1) in the direction of the arrow, pull it down, remove it.

● **Battery straps, vehicle tools**

Remove the battery strap(2), then remove the vehicle tool(6).

● **Battery anode protection glue**

Find the slotted part of the protective glue (5), use a tool to spread the slot.

| FIG.3 REAR COVER COMPONENT | | Battery、Electrical device box cover、ECU | CHK | CAUTION |
|----------------------------|----------------|--|-----|---------|
| NO. | PART NO. | PART NAME | ADJ | |
| 1 | 1224100-052000 | ZT250—R Electrical device box cover | 1 | |
| 2 | 1244100-072000 | ZT250—R Battery straps | 1 | |
| 3 | 1224100-051000 | Grade 0 flame retardant tie (black 2.5×100) | 4 | |
| 4 | 1184100-116000 | ZT250 lithium battery | 1 | |
| 5 | 1240100-023000 | Battery anode protection glue | 1 | |
| 6 | 1274200-078000 | ZT310—R bike tools | 1 | |
| 7 | 1251100-102000 | Non—standard bolt M6×16(304 stainless steel) | 2 | |
| 8 | 1184200-024000 | ZT310—R relay of side support | 1 | |
| 9 | 1050953-026000 | MT05.2 engine controller — ZT250—RC4 type | 1 | |
| 10 | 1186001-018000 | ZT250-S Four-pin Normally Open Relay(after-sale) | 2 | |
| 11 | 1184300-002000 | ZT350 Starting relay | 1 | |

● **Battery**

Cut the tie (3). Remove the black protective cap ②Remove the negative pole; then remove the red protective cap ①Remove the positive pole; Remove the lithium battery (4). When reinstalling, connect the positive pole first, then the negative pole. Be sure to use a dedicated lithium battery charger for charging. In the event of a power failure, it is strictly forbidden to bridge or directly connect to the power supply.

● **Relay**

Pull out the starting relay (11) upwards, open the protective cap and loosen the nut to remove the relay; pull out the cables of the EFI relay (10) and the side bracket relay (8) and then pull out

● **Engine controller (ECU)**

Remove the bolt (7), pull out the ECU (9) and the cable together, and then unplug the ECU plug

● **Fuse box**

Pull out the fuse box and cables together, then pinch both ends of the fuse box by hand and open the cover to replace the fuse

CAUTION:

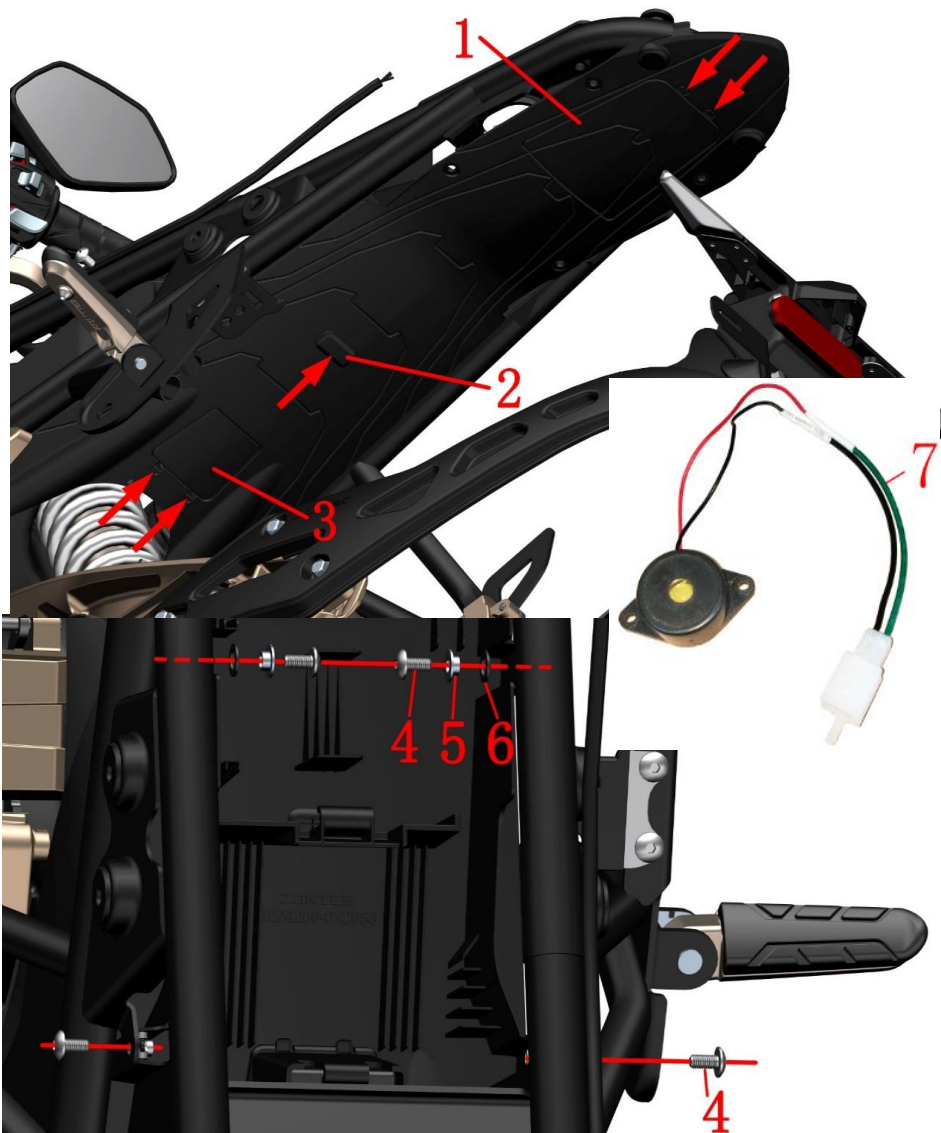
● Attention should be paid to the discomponent process to avoid damaging the material. Attention must be paid to the installation sequence when removing the battery.

● The battery voltage should be checked regularly. If it is lower than 12.8V, it is recommended to charge it in time; it must not be overcharged; it should be taken out of storage for a long time without being used, and it should be charged once a month.

● Reassemble the battery or fuse, etc. Remember to remember to reset the EFI hardware: Turn on the key-Ignition- 10 seconds After the ignition is turned off - After 10 seconds Turn on the ignition switch and repeat 2 times.

● If the battery has reached the end of its useful life, it should be handed over to a qualified organization or a dedicated recycling center for proper disposal. Discard it at will.

● EFI relay model: KH-1A4T. Side bracket relay model: G8HN-1C4T-RJ.



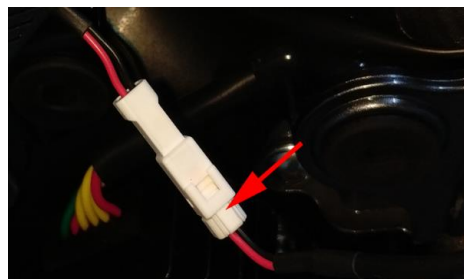
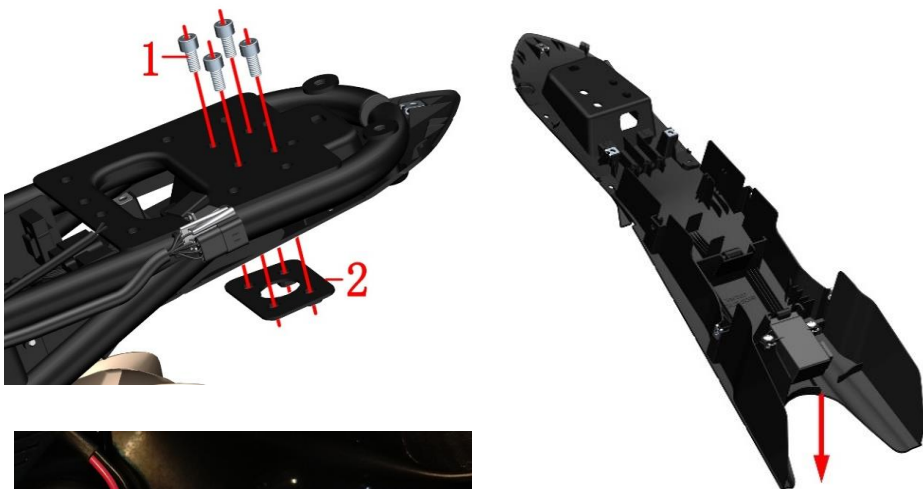
| FIG.4 REAR COVER COMPONENT | | Electrical device box cover component | CHK | |
|----------------------------|----------------|---|-----|---------|
| | | | ADJ | |
| NO. | PART NO. | PART NAME | QTY | CAUTION |
| 1 | 1224100-054000 | ZT250—R electric component box lower cover | 1 | |
| 2 | 1244100-078000 | ZT250—R Electrical device box rear rubber | 1 | |
| 3 | 1224200-040000 | ZT310 Electric parts box lower cover | 1 | |
| 4 | 1251100-101000 | Non—standard bolt M6×12 (304 stainless steel) | 4 | |
| 5 | 1274100-155095 | pcs/after-sale) | 2 | |
| 6 | 1241200-124021 | pcs/after-sale) | 2 | |
| 7 | 1186800-177000 | ZT703-F PKE Buzzer (4KHZ)(after-sale) | 1 | |

PROCEDURE:

- Electrical component box assembly
 - Push the buckle in the direction of the arrow to remove the lower cover of the ZT250-R electrical component box (1) and the lower cover of the ZT310 electrical component box (3).
 - Pull down in the direction of the arrow to remove the back glue of the electrical device box (2).
 - Remove the bolts (4) on the left and right sides of the middle of the electrical device box, and remove the bushing (5) and the rubber pad (6).
 - Remove the bolts on the left and right sides of the front of the electrical component box.
 - Find and unplug the buzzer plug, heat it back and forth with a heat gun, and then remove the PKE buzzer (7).
 - Clean up residual offset printing.

CAUTION:

- Attention to prevent damage to the buckle when removing the cover of the electrical device box.
- If you need to replace the PKE fuse, you can directly replace the lower cover (3) of the electrical device box to replace it.



ZT310 PKE Controller (single antenna)



ZT310 PKE Controller (bracelet edition)

| FIG.5 REAR COVER COMPONENT | | Electrical device box component 1 | CHK | |
|----------------------------|----------------|---|-----|---------|
| | | | ADJ | |
| NO. | PART NO. | PART NAME | QTY | CAUTION |
| 1 | 1250205-040095 | GB70.1 inner hex bolt M8×16(color Zinc) | 4 | |
| 2 | 1274100-101021 | ZT250-R electric component box mounting board | 1 | |
| 3 | 1184200-053000 | ZT310PKE external single antenna | 1 | |

PROCEDURE:

● Electrical device box component

Locate the PKE external antenna (3) cable connector on the left side of the vehicle (3)

Grasp the electrical component box mounting plate (2) with one hand, and remove the bolt (1) with the other hand

Hold the rear part of the electrical component box assembly with one hand, grasp the front part and pull down with the other hand. Unplug the cable connectors (1) and (2) of PKE, and remove the electrical device box assembly.

CAUTION:

- Do not pull the cable directly when unplugging it.
- If you need to replace the PKE fuse, you can directly replace the lower cover of the electrical device box to replace it.
- For the disassembly and assembly of the PKE long antenna, refer to the previous "fuel tank left and right cover components" and the short antenna refer to the "tail skirt and tail light components".
- When reassembling the connector (2), first check whether the metal contact piece inside is bent, and straighten it if necessary. Make sure that all cable connectors are installed in place, otherwise it may cause poor contact and cause malfunctions.




| FIG.6 REAR COVER COMPONENT | | Electrical device box component 2 | CHK ADJ | CAUTION |
|----------------------------|----------------|---|------------|--------------------------------|
| NO. | PART NO. | PART NAME | QTY | |
| 1 | 1224200-092053 | ZT250-R Electrical Device Box (PKE) | 1 | |
| 2 | 1244100-079000 | ZT250-R left electric device box rubber | 1 | |
| 3 | 1251100-102000 | Non-standard bolt M6×16(304 stainless steel) | 2 | |
| 4 | 1184200-054000 | ZT310 PKE controller (single antenna) | 1 | Stop selling |
| | 1184200-137000 | ZT310 PKE new version (band version) | | bracelet edition |
| 5 | 1251300-063093 | Plywood M6×11×15 (environmental color) | 7 | |
| 6 | 1244100-080000 | ZT250-R Electrical device box right rubber | 1 | |
| 7 | 1184100-080000 | ZT250-S fuze wire (15A) | 1 | For after-sale |
| 8 | 1184200-043000 | ZT310 PKE key decorative part | 1 | |
| 9 | 1184200-244000 | ZT310 univrsal fuse (15A small)(5 pcs/after-sale) | 2 | bracelet edition after-sale |
| 10 | 1244200-204000 | ZT310 induction key rubber ring(after-sale) | 1 | |

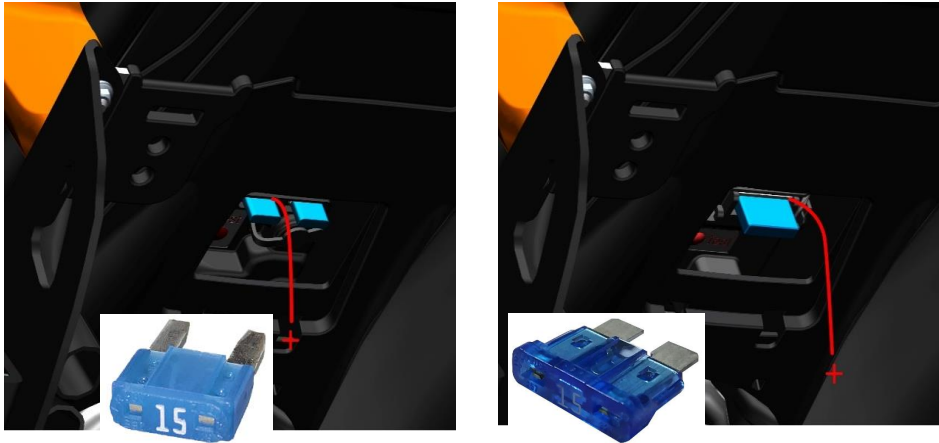
PROCEDURE:

- PKE controller
Remove the bolt(3)and remove the PKE controller(4).
- Electrical device box component
Remove 7 pieces of plywood nuts(5) from the electrical component box(1).
Remove the battery pad left glue(2) and right glue(6).
- Fuses
Unplug the fuse(4)and check if it is blown. If it has blown, replace the fuse of the same specification.The dual antenna and the single antenna PKE controller used medium 15A fuses.
The bracelet edition PKE controller used 2pcs small fuses.

CAUTION:

- When inserting or removing the fuse, pay attention to the vertical alignment and then disassemble it. Do not bend it. Use a qualified fuse.
- PKE cables need to be protected. Non-professionals are strictly prohibited from dismantling the PKE system components, as this may cause permanent damage.
- Please refer to the driving manual for details on the use of PKE.
- ZT310 PKE key shell (containing key glue+key ring) just for after-sale to change the shell,no internal electrical appliances.
- The single antenna PKE controller has been stop selling, it can be replaced by bracelet edition.

| | | | |
|----------------------------|-----------------------------------|-----|---|
| FIG.7 REAR COVER COMPONENT | External battery start PKE system | CHK |  |
| | | ADJ | |




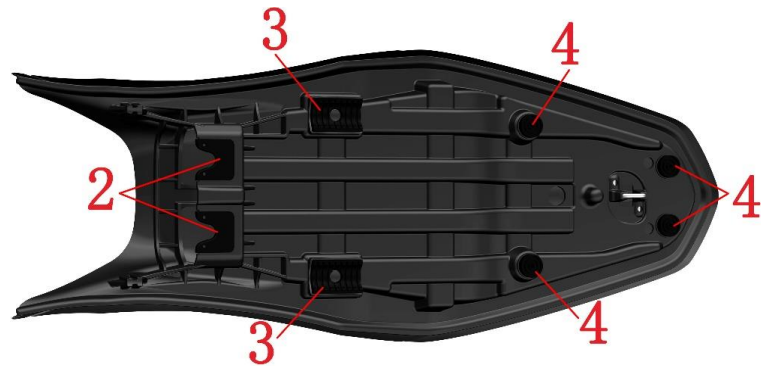
ZT310 PKE Controller
(bracelet edition)

ZT310 PKE Controller (single antenna)
ZT310 PKE Controller



PROCEDURE:

- Emergency handling method after the battery is destroyed or the battery is exhausted for too long:
Find a 15A fuse and wind a wire around any one of the fuses as shown in the left side.
Remove the lower cover of the electrical device box; insert the previously made wire into the right side of the PKE fuse slot.
Find a battery with sufficient power and connect the previously made wire to the positive side of the battery.
Find one end of the wire attached to the frame (the bolt is directly connected to the frame) and the other end to the negative pole of the battery.
After connecting the wires, check that the wires are fixed and short press the unlock button "  " to turn on the PKE system.Disable pressing the ignition button at this time.



| FIG.1 CUSHION COMPONENT | | Cushion component | CHK | CAUTION |
|-------------------------|----------------|-------------------------------|-----|----------------|
| NO. | PART NO. | PART NAME | ADJ | |
| 1 | 1204100-006000 | ZT250-R Cushion | 1 | one set |
| 2 | 1244100-024000 | ZT250-R Cushion front rubber | 2 | for after-sale |
| 3 | 1244100-022000 | ZT250-R Cushion rubber | 2 | |
| 4 | 1244100-025000 | ZT250-R Cushion circle rubber | 4 | |

PROCEDURE:

● Seperate cushion

Insert the key in the "OFF" position ,counterclockwise until the sound indicates that the cushion lock is open. Tap the back of the cushion if there is no sound.

Hold the rear cushion in the direction of the arrowhead, while remove the cushion from left and right swing cushion.

● Install cushion

When assembling the cushion, first check whether all the cushion glue is complete, insert the front of the cushion first, and then make a hard clap at the end of the cushion,,when heard "kaca",the cushion lock is in place.

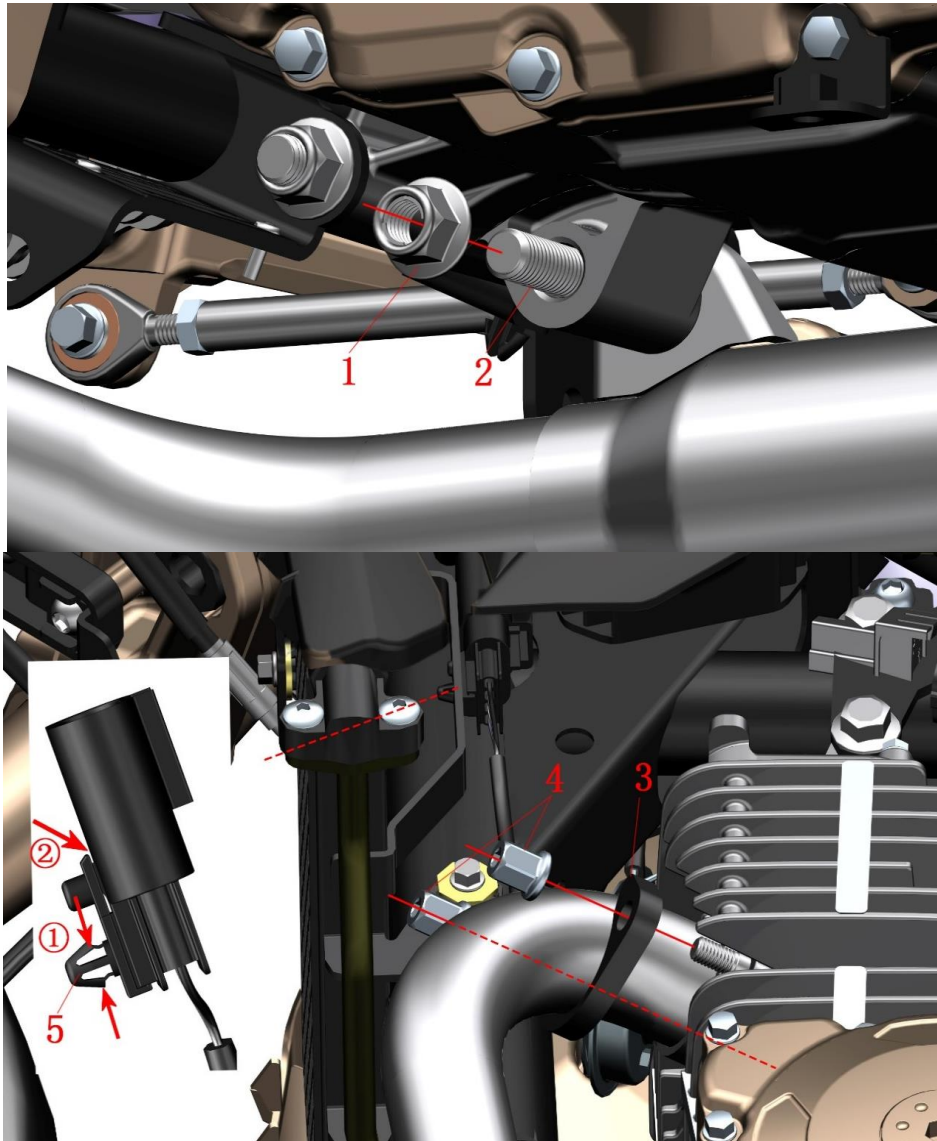
● Cushion rubber,lock plate component for individual sales


If the cushion glue is worn or the cushion lock damaged too much, you can buy the genuine article on the website.

The corresponding installation location is shown in the lower left image.

CAUTION:

- The motorcycle should be fixed and then operated.
- The cushion contains all the cushion glue and lock pieces and bolts.
- It is easy to be surprised when the cushion is not in place.



| FIG.1 MUFFLER COMPONENT | | Remove muffler 1 | CHK |  |
|-------------------------|----------------|--------------------------------------|-----------|---|
| NO. | PART NO. | | PART NAME | |
| 1 | 1251300-057093 | Non-standard bolt M10×1.5 | QTY | CAUTION |
| 2 | 1251100-084093 | Non-standard bolt M10×1.5×66 | 1 | |
| 3 | 1020265-155000 | ZT250-S muffler flange (outsourcing) | 1 | |
| 4 | 1251300-058093 | Hexagon nut M8 (color zinc) | 1 | |
| 5 | 1224100-013000 | ZT250—S Oxygen sensor fixing buckle | 2 | |

PROCEDURE:

● Muffler parts

Fix the motorcycle, use the sleeve to fix the head of the bolt (2) while using the sleeve to remove the nut (1). Please don't remove the bolt (2).

● Oxygen sensor fixing buckle

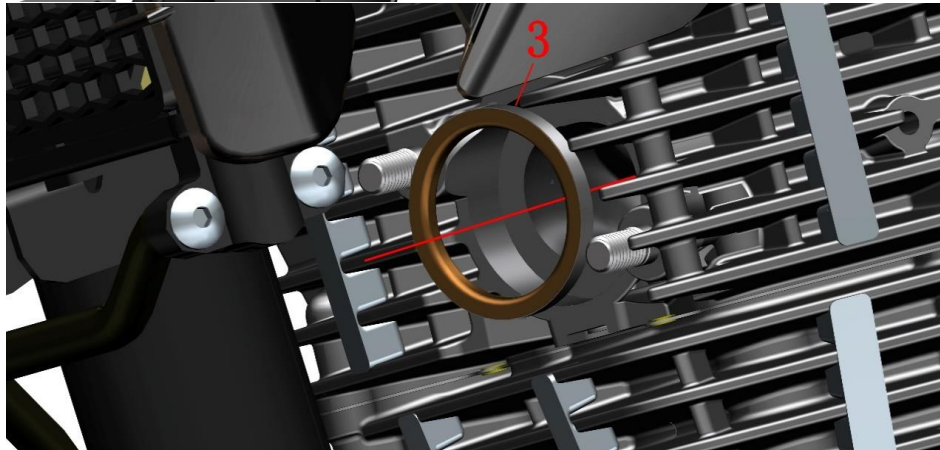
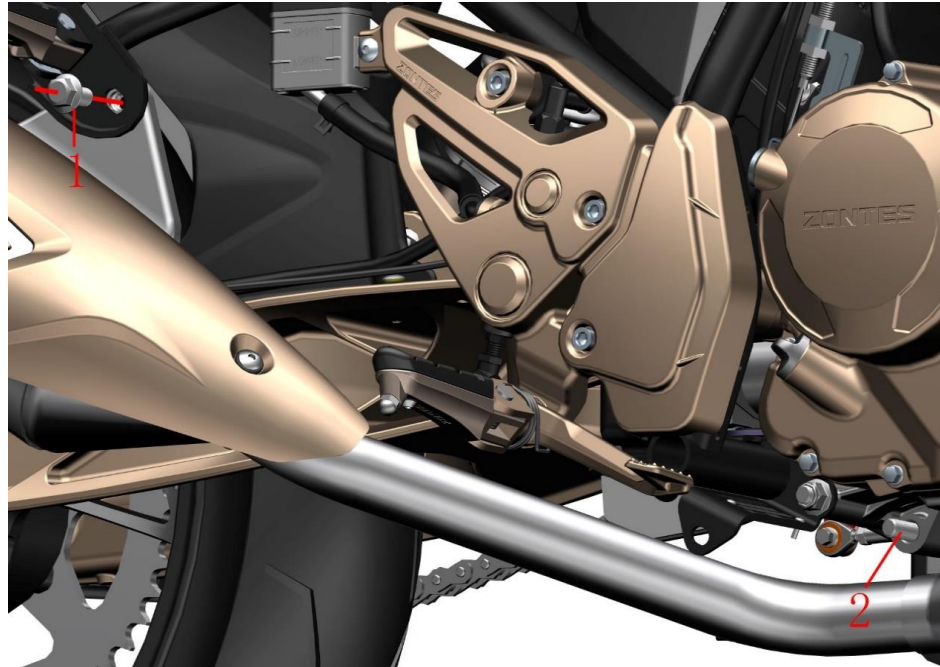
Use pliers to clamp the rear radiator bracket slightly and pull out the cable clip (5) in the direction shown in ①. Separate the oxygen sensor connector from the main harness. Then use the small straight screwdriver to insert the direction as the arrow ② and remove the cable clip (5) from the oxygen sensor cable connector.

● Flange of muffler

Remove the nut (4) with the inner hexagon tool and then remove the flange (3).

CAUTION:

- In the process of disassembly, the motorcycle should be properly supported to prevent accident caused by incline.
- Make sure the muffler and engine are completely cooled before removing the muffler.
- In the process of disassembly, it should be careful to avoid damaging the material.



| FIG.2 MUFFLER COMPONENT | | Remove muffler 2 | CHK | |
|-------------------------|----------------|------------------------------------|-----|--|
| NO. | PART NO. | | ADJ | |
| 1 | 1251100-082093 | Non-standard bolt M10×1.5×20 | 1 | |
| 2 | 1251100-084093 | Non-standard bolt M10×1.5×66 | 1 | |
| 3 | 1070100-133000 | ZT250—S Engine exhaust port gasket | 1 | |

PROCEDURE:

● Muffler component

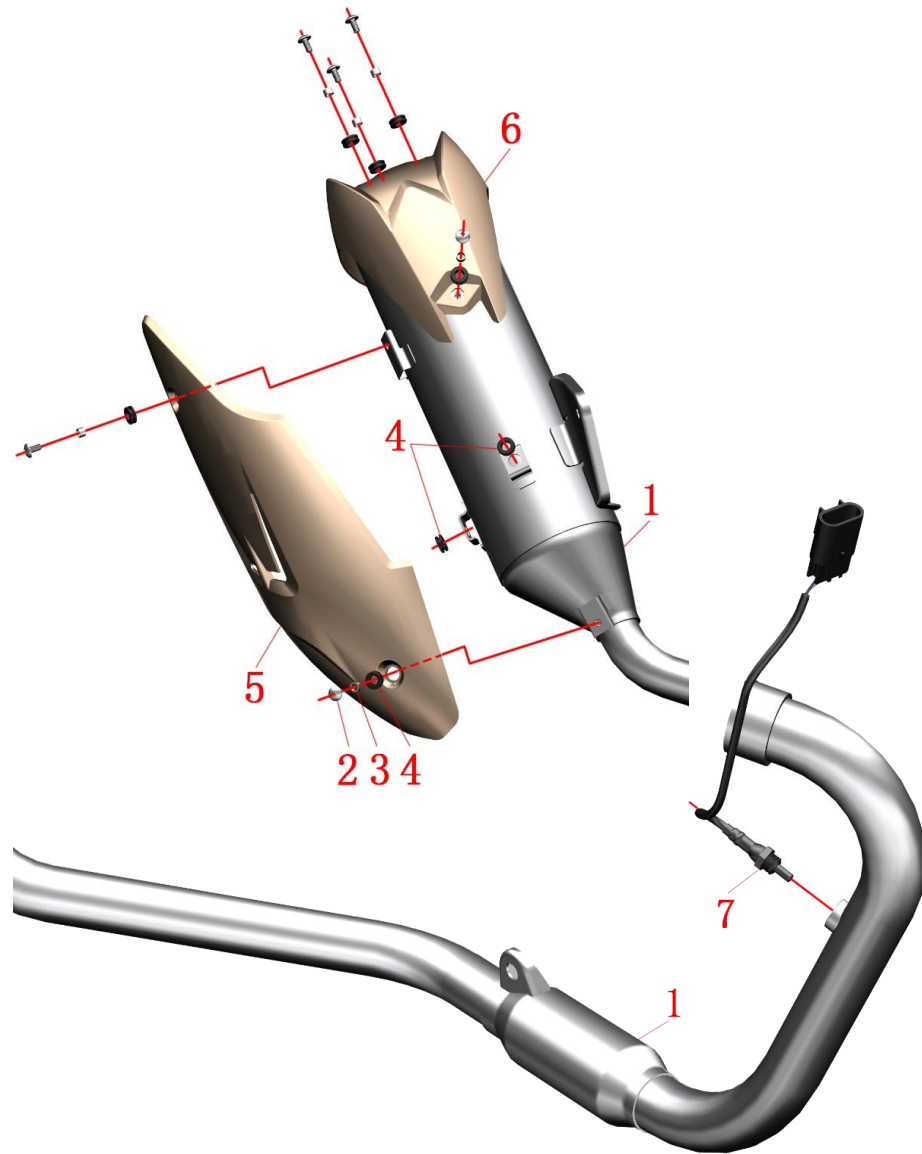
Fix the motorcycle, use the sleeve to remove the bolt (1) by holding the muffler tail part with hands, then remove the bolt (2) from the engine while holding the muffler COMPONENT. Remove the muffler from the motorcycle.

● Gasket

Remove the gasket (3) from the exhaust port of the engine.

CAUTION:

- In the process of disassembly, the motorcycle should be properly supported to prevent accident caused by incline.
- Make sure the muffler and engine are completely cooled before removing the muffler.
- In the process of disassembly, it should be careful to avoid damaging the material, It is recommended to replace the new gasket to prevent air leakage every time the muffler COMPONENT is removed.



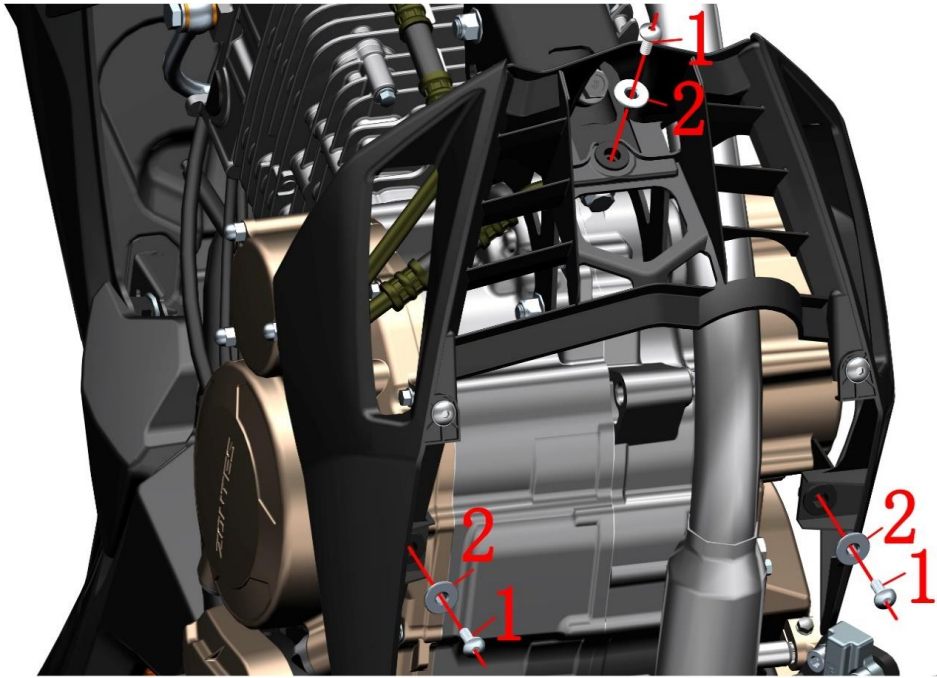
| FIG.3 MUFFLER COMPONENT | | Muffler component | CHK | CAUTION |
|-------------------------|----------------|---|-----|---------|
| NO. | PART NO. | PART NAME | ADJ | |
| 1 | 1124100-018000 | ZT250-R muffler (homemade / national IV) | 1 | Inland |
| | 1124100-015000 | ZT250-R Muffler(Europe IV) | | Export |
| 2 | 1251100-101000 | Non-standard bolt M6×12 (304 stainless steel) | 6 | |
| 3 | 1274100-018000 | ZT250-S Muffler anti-hot plate bushing | 6 | |
| 4 | 1246400-317000 | ZT368T-G muffler hot plate rubber buffer(5 pcs/after-s) | 8 | |
| 5 | 1224100-028000 | ZT250-S Muffler anti-hot plate | 1 | |
| 6 | 1224100-029000 | ZT250-S Muffler tail cover | 1 | |
| 7 | 1050953-008000 | OSM planar oxygen sensor | 1 | |

PROCEDURE:

- Oxygen sensor
Remove the oxygen sensor (7) with the open spanner.
- Anti-hot plate、 Tail cover
Use the inner hexagonal tool to remove bolt (2), then remove the anti-hot plate (5) and tail cover (6), after that, remove the bushing (3) and rubber buffer (4).

CAUTION:

- Make sure the muffler is completely cooled before operation.
- In the process of disassembly, it should be careful to avoid damaging the material.



| FIG.1 LOWER WIND DEFLECTOR COMPONE | | Lower air guide sleeve component-1 | CHK | |
|------------------------------------|----------------|--|-----|---------|
| | | | ADJ | |
| NO. | PART NO. | PART NAME | QTY | CAUTION |
| 1 | 1251100-102000 | Non-standard bolt M6×16 (304 stainless steel) | 3 | |
| 2 | 1274101-015000 | Z1230-S flanging sleeve(φ6.4×φ9×6≠φ20×2)(5 pcs/after sale) | 3 | |

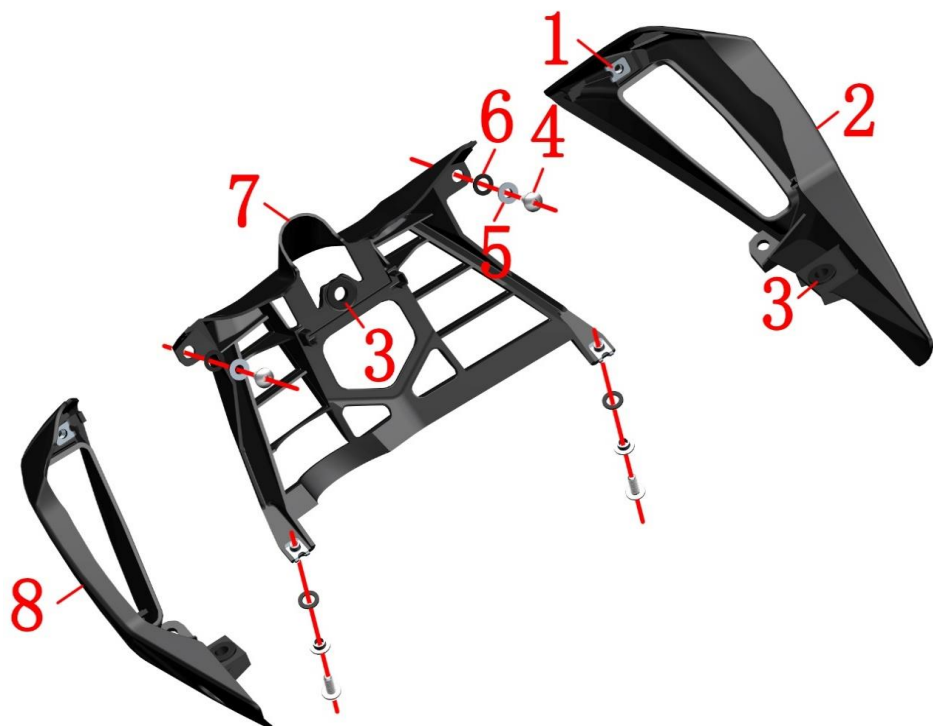
PROCEDURE:

- Lower air guide sleeve component

Lift the motorcycle with tools and remove the bolt (1) and flanged bushing (2) with an inner hexagonal tool.

CAUTION:

- In the process of disassembly, the motorcycle should be properly supported to prevent accident caused by incline.
- In the process of disassembly, the lower fairing should be held to prevent fracture caused by unevenly stressed.



| FIG.2 LOWER WIND DEFLECTOR COMPONE | | Lower air guide sleeve component-2 | CHK | CAUTION |
|------------------------------------|----------------|---|-----|---------------|
| | | | ADJ | |
| NO. | PART NO. | PART NAME | QTY | |
| 1 | 1251300-063093 | Plywood M6×11×15(environmental color) | 4 | |
| 2 | 4044100-008036 | ZT250—S lower right guide guide cover (electroplated bright gray highlight) | 1 | |
| | 4044100-008021 | ZT250—S lower guide cover right (special black) | | special black |
| 3 | 1244100-137000 | ZT250-S Flanging bushing buffer(5 pcs/after-sale) | 3 | |
| 4 | 1251100-102000 | Non-standard bolt M6×16 (304 stainless steel) | 7 | |
| 5 | 1274100-155095 | Flanged bushing φ6.2×φ8.4×3.5+φ14×1.5(5 pcs/after- | 4 | |
| 6 | 1241200-124021 | flanging bushing buffer rubber (φ8.5×φ14×1)(5 pcs/af | 4 | |
| 7 | 1224100-050000 | ZT250—R Middle part of lower fairing | 1 | |
| 8 | 4044100-009036 | ZT250—S lower guide cover left (electroplated bright gray highlight) | 1 | |
| | 4044100-009021 | ZT250—S lower guide cover left (special black) | | special black |

PROCEDURE:

●Lower fairing assembly

Remove the bolt (4) with an inner hexagonal tool and remove the flanged bushing (5) and flanged bushing buffer (6).

Separate lower fairing assembly into three parts.

●Left part of lower fairing

Remove the plywood nut (1) and the flanged bushing buffer (3) from the left part of fairing (8).

●Right part of fairing

Remove the plywood nut (1) and the flanged bushing buffer (3) from the right part of fairing (2).

●Middle part of fairing

Remove the plywood nut (1) and the flanged bushing buffer (3) from the middle part of fairing (7).

CAUTION:

●In the process of disassembly, the fairing should be protected to prevent fracture caused by unevenly stressed or surface scratch.