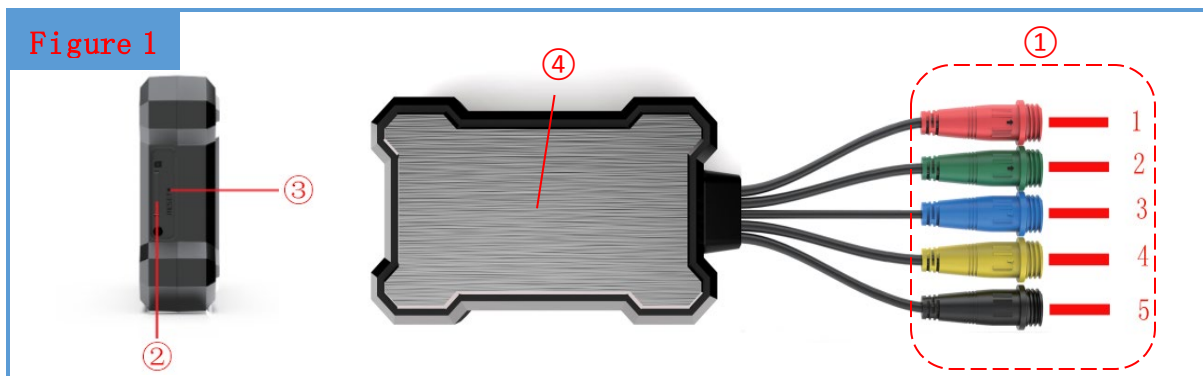


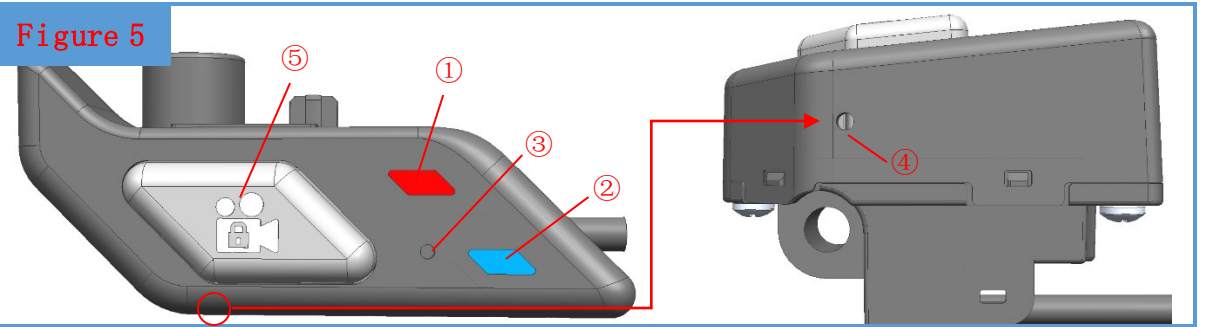
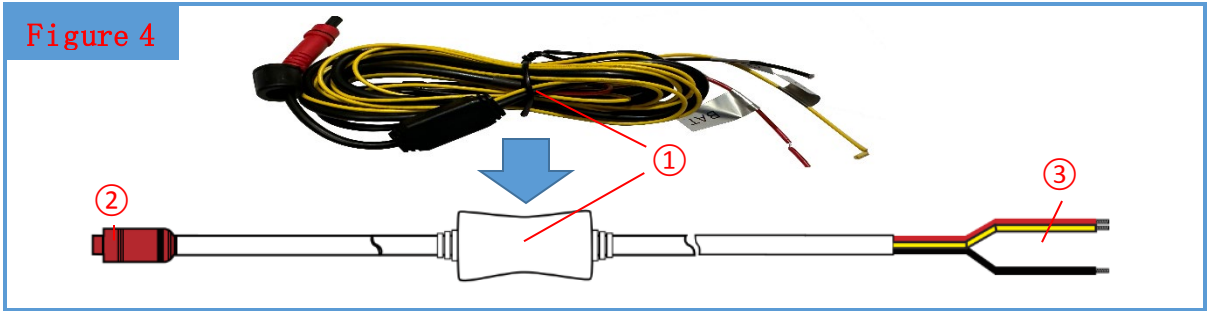
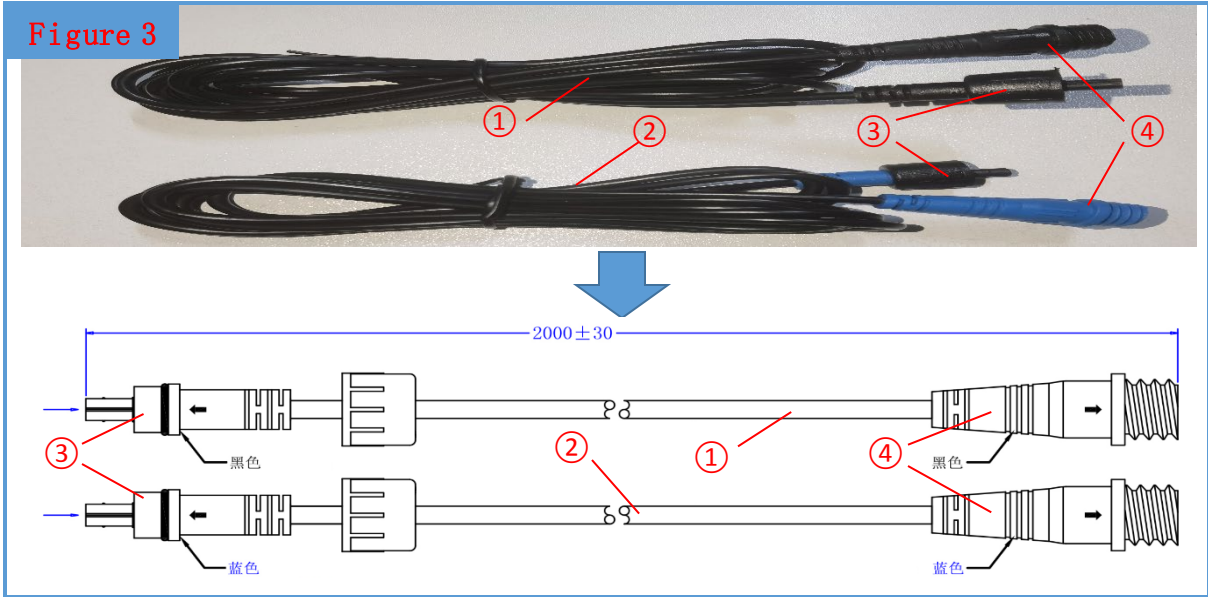
# Manual

The protection grade of the host is IP65, the protection grade of the lens is IP67, and the protection grade of the wire control switch is IP64. Please do not use high-pressure washing equipment such as high-pressure water guns to directly wash and clean the main unit, lens and remote control switch of the driving recorder. When installing, please confirm the number and direction of PIN pins first, and then connect the interfaces of each wire.

- ✘ Internal water ingress failures caused by high-pressure washing to clean the machine and lens of the driving recorder are not within the scope of the three guarantees.
- ✘ If the number of pins is not confirmed, the alignment marks are inserted and locked, otherwise the pins will be bent, broken, and poor contact, which will not work normally, will not be within the scope of the three guarantees.

## Product structure and function description





1) Driving recorder host (Figure 1)

- ① Host interface
  1. Power interface (red)
  2. GPS interface (green). If necessary, please purchase it yourself on the official website
  3. Rear camera interface (blue)
  4. Wire control switch interface (yellow)
  5. Front camera interface (black)
- ② SD card slot (support 8~128GB, recommend class10 or above)
- ③ Pinhole reset button . When crashing, please press and hold this button to restart

- ④ Metal cooling surface . When assembling, try to ensure that this side faces up, so as not to affect heat dissipation

## 2) Camera

- ① Camera and bracket
- ② Front camera (black interface)
- ③ Rear camera ( blue interface)
- Pay attention to the direction of the arrow when installing. When the arrow is directly above, it is the standard screen direction
- ✘ The front and rear cameras are the same except for the color of the connector. Therefore, the front and rear cameras can be interchanged

## 3) camera extension cable

- ① Front camera extension cable (black interface)
- ② Rear camera extension cable ( blue interface)
- ③ Front camera interface ( black)
- ④ Rear camera interface ( blue )
- ✘ The extension cable is the same as the front and rear cameras. Except for the different color of the connector, the extension cable is also fixed. Therefore, the front extension cord can be exchanged for use

## 4) power step-down line

- ① Power step-down line
- ② Power step-down line interface (red)
- ③ Red B+ , yellow ACC, black GND

## 5) control switch

- ① Red LED light indicates working status
- ② Blue LED light indicates WIFI status
- ③ Recording noise reduction hole recording and noise reduction
- ④ Drain hole drainage
- ⑤ Buttons Different button operations indicate different functions , see the table below

operate	frequency	Function	instruct	Remark
Short press	1	Photograph	Red LED blinks once	Short press the button once to take a photo
	2	lock video	Red LED blinks rapidly	the button 2 times in a row to lock the video. If you are in the process of locking the video , repeat the operation to cancel the locking of this video
	3	ON / OFF WIFI	Blue LED is on ----- WIFI is on, blue LED is off ----- WIFI is off	After the vehicle is powered on, it is turned on by default. Short press the button 3 times in a row to turn off WIFI, and repeat the operation to turn on WIFI again. Shutdown Automatically turn off WIFI after the vehicle is turned off and the power is cut off
Long press $\geq 2$ seconds	Turn on / off recording	Start recording ----- red LED flashes slowly Pause recording ----- red LED is always on	Recording pauses when there is no memory card. By default, the video recording will be automatically turned on after booting , and the recording will be paused by pressing and holding for $\geq 2$ seconds , and the recording will be started after repeated operations	

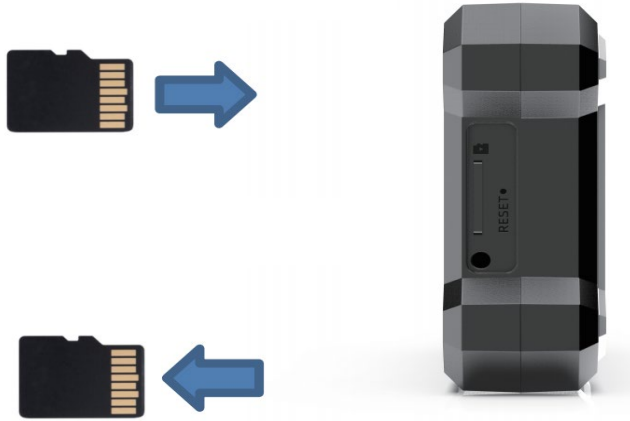
- ✘ When the remote control is not connected, it cannot record
- ✘ Don't point the high-pressure water gun at the recording noise reduction hole and drain hole of the remote control switch to wash the car directly, so as to avoid the failure of water ingress

### storage card

Please do not use an unsupported memory card. Data corruption and recording errors may result.

- ✘ Please use a memory card with a capacity of 8 to 128GB.
- ✘ Please use a card with a speed above "Class10/UHS-1". If you use a card below Class10, it may not be able to record normally.
- ✘ The driving recorder requires the format of the memory card to be **FAT32**. If the newly purchased 128GB/64GB memory card cannot be used, please format it on the computer to **FAT32** format or format the memory card through the mobile APP

- ✘ Once the card is formatted, all recorded files will be deleted, please backup in advance.
- ✘ Just in case, after an accident, in order to prevent the files recording the moment of the accident from being overwritten, please cut off the power and pull out the memory card.



### 1) Card insertion

After confirming that the power supply is OFF, confirm the direction of the card before inserting it, and the click sound is heard.

### 2) Card removal

Make sure that the power is OFF, and you can pull out the memory card when you hear a click sound.

- ✘ Please format the memory card regularly. Once every six months is recommended.
- ✘ Inserting or removing the card while the power is connected may result in data destruction or malfunction of the unit.

### 3) Card recording time

Recording time, depending on the card used by this machine, the recording time will also be different.

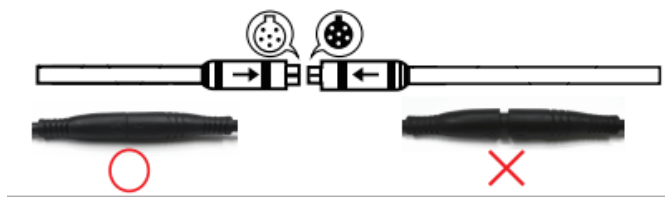
TF card capacity	1920*1080P	1280*720P
128G	Normal 435 minutes / Emergency 195 minutes	x
64G	Normal 216 minutes / Emergency 96 minutes	x
16G	Normal 54 minutes / Emergency 24 minutes	x
8G	Normal 27 minutes / Emergency 12 minutes	x

- ✘ The above times are approximate and not guaranteed.
- ✘ Actual length of recording will vary based on usage.

## connection method

Use the power cord for motorcycles, and the installation method is different according to the type of motorcycle. For safety, please find a professional store to help install.

- ✘ The following is an example of the installation picture; the actual installation method will be different according to the type of the vehicle.
- ✘ Accessories (camera extension cable, camera spare parts, etc.) need to be purchased separately, please purchase them on the official website.
- ✘ Please confirm the direction of the plug and the number of PIN pins of the plug first, and then connect the interfaces of each wire. If the number of pins is not confirmed, the alignment mark is inserted and locked, it may cause the PIN to be broken or poor contact, and it cannot work normally, and this situation does not belong to the scope of three guarantees



- ✘ Please do not cut the wire, it may cause malfunction.

## Where and how to install

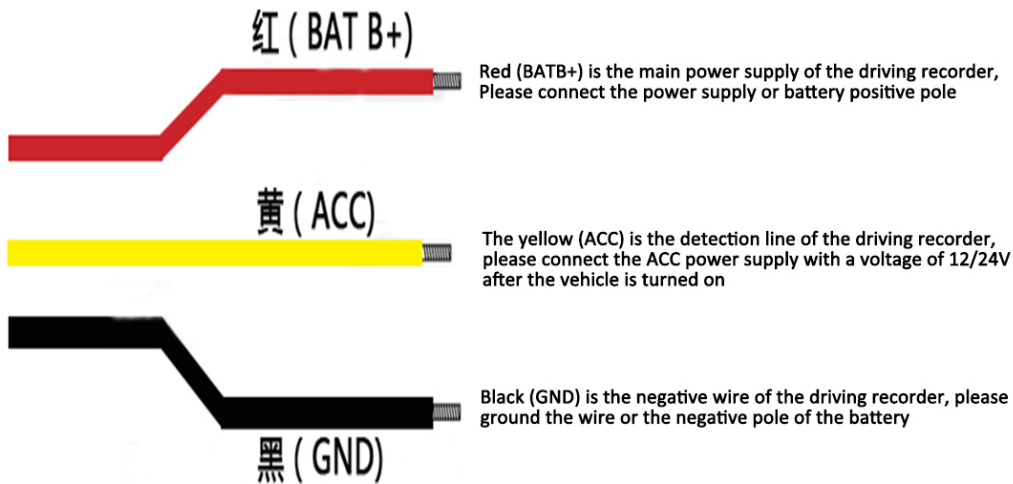


### Installation location (example)

- ✘ Please choose and install front and rear camera extension cables according to your needs

#### 4) installation method

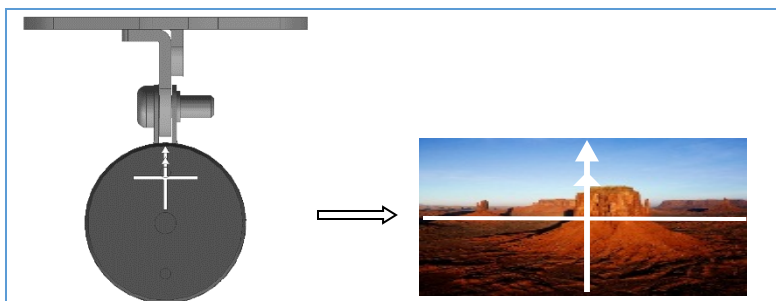
- Connection method of the power drop line



- ✘ Before connecting, please confirm the power supply method of the driving recorder. It is recommended to confirm with a multimeter for circuit detection. When the power connection is incorrect, the power will be automatically disconnected during driving, and video recording cannot be performed. Of course, there is also the possibility of damage to the product.
- ✘ Installation requires specialized knowledge. It is recommended to go to a special store for installation.
- ✘ Our company has nothing to do with damages such as accidents or failures of vehicles and in-vehicle equipment due to incorrect installation.
- ✘ Please be sure to connect and install correctly, otherwise it may cause fire and accident.
- ✘ Please do not connect the ACC to the vehicle battery power supply line, because even if the vehicle is turned off, the machine will keep recording.

- camera installation

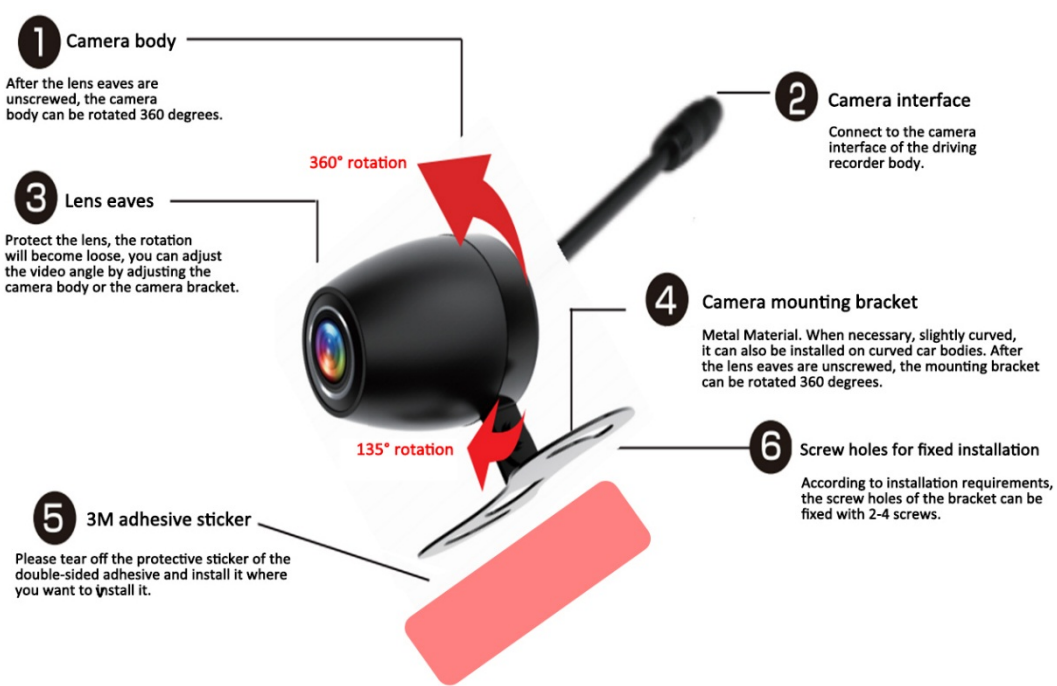
When leaving the factory, our company will assemble the camera screen and the mounting bracket as shown in the figure below



- Camera recording angle adjustment

Depending on the motorcycle, the installation position of the camera is also different. Before fixing the camera, please open the APP to connect the driving recorder. Check whether the recording screen is upside down or tilted. If the picture is not right, please follow the steps below to adjust the video recording angle of the camera

- Step ①: Please rotate and loosen the outer eaves of the lens, and align the marks
- Step ②: Please adjust the angle according to the display of the recording screen, adjust the angle of the camera body or bracket. .
- Step ③: After the adjustment, please remember to re-tighten the fixing screws.



- ✘ When there is dirt on the lens, please wipe it off with a soft cloth.
- ✘ Before installing the camera, please clean the installation location first, free from water, oil, dust, etc.
- ✘ 3 M glue is reused, the adhesion will become worse and there is a risk of falling off.
- ✘ The installation of the camera must be firm and stable, and try to choose a sheltered location to avoid high-frequency vibration caused by the camera facing the wind when driving at high speed, which will affect the picture quality
- ✘ When accelerating, the picture may fluctuate. It is due to the difference in sensor specifications or the bracket is not fixed and locked. It is not a defect or failure. Please check whether the installation of the camera is stable and firm.
- ✘ The front and rear cameras and their extension cables are the same specification. Therefore, the camera and the extension cable can be used interchangeably.

- Installation of driving recorder host  
The main unit of the driving recorder is waterproof IP65, try not to expose it when



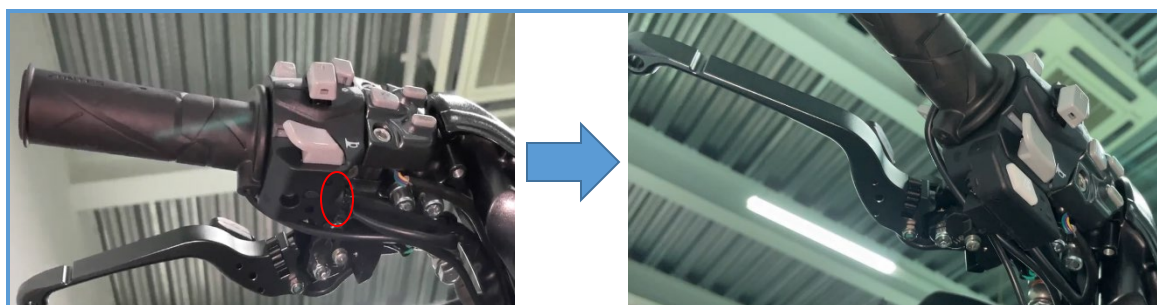


installing, such as placing it in the storage box of the motorcycle (under the seat) or under the cover.

- ✘ There are 2 Velcro stickers in total, and the Velcro stickers (black side) can be attached to each other.
- ✘ There is Velcro on the back of the fuselage, and the body of the recorder is pasted by Velcro.
- ✘ According to the installation position of the host, you can selectively paste shock-absorbing cotton around the Velcro on the back of the fuselage to prevent abnormal vibration
- ✘ When installing the fuselage, try to ensure that the metal heat dissipation surface on the front faces upward. Take advantage of the high thermal conductivity of aluminum to dissipate heat from the motorcycle recorder.
- ✘ Plastic, 3M glue, Velcro, shock-absorbing cotton and other materials are prohibited from sticking to the aluminum alloy cooling surface of the host

- Installation of remote control switch

Use a cross batch to remove a bolt under the left handlebar switch, and then replace the bolt with an M5\* 45 bolt to continue installing the remote control switch.



- plug connection

The connection between the body of the driving recorder and accessories is distinguished by the type and color of the connector, as follows:

black (front camera)

blue (rear camera)

Yellow (wire control switch)

Red (power step-down line)

Green (GPS)



**Please be sure to confirm the insertion of the connector according to the direction of the arrow mark**

- Power ON \*OFF

When the vehicle power supply of the motorcycle is powered on, the power of the machine is ON

When the power supply of the motorcycle is cut off, the power supply of the machine is OFF

- ✘ There is no built-in battery in this machine. If the power cord is not connected, the machine cannot be powered on.

## video mode

### 1) Loop recording/automatic coverage recording

From the motorcycle power on (ACC ON) to the vehicle power off (ACC OFF), it is the normal video recording mode.

Once the capacity of the card is full, the video will be overwritten sequentially starting from the oldest video. For example, when the motorcycle engine starts at 17:06:33, the loop recording starts at 33 seconds, and the recording time is set to 1 minute. The video file is 17:06:33-17:07:33.

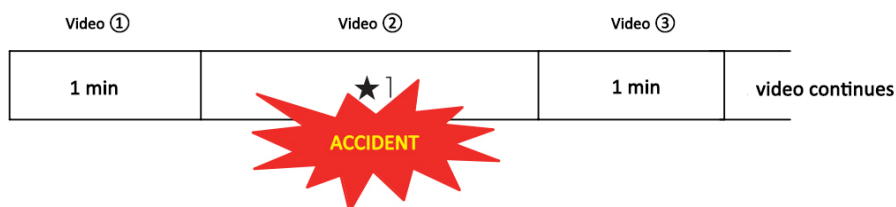
### 2) Emergency recording/Data that cannot be overwritten

In emergency recording mode, the recorded data will be locked and saved in the "event" folder of the memory card.

Emergency recording/data that cannot be overwritten will be triggered in the following situations:

- the button of the remote control switches twice continuously to start the video lock function
- The local G-sensor senses the collision

When there is an emergency recording/data that cannot be overwritten, the locked video is this video and the next video



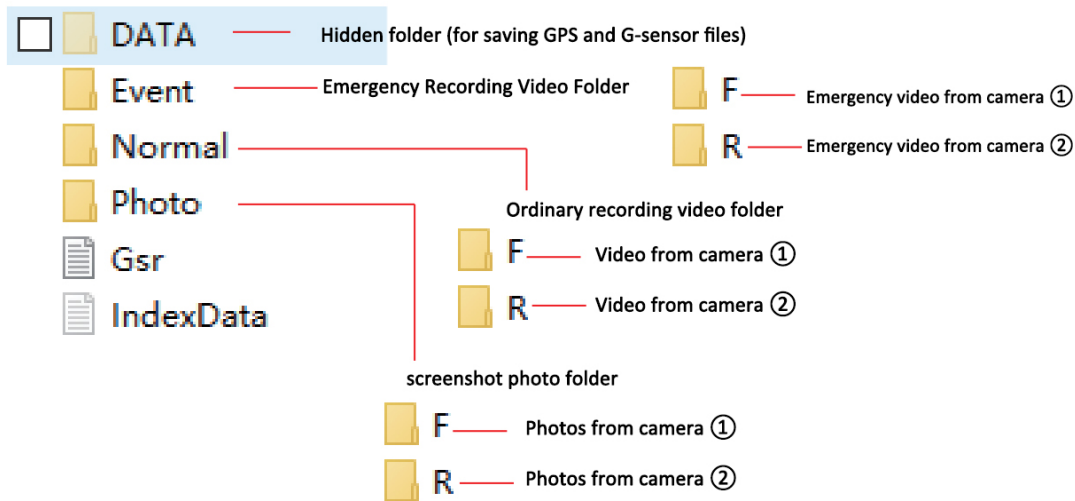
As shown in the figure above, when the loop recording time is set to 1 minute, during the recording process of video ②, after the G-sensor senses a collision, the host will save the video files of the front and rear cameras (1 minute of video ② and 1 minute of video ③) to the Event file folder. Assuming that the recording time starts at 17:06:33, when the video lock function is manually activated by collision, the recorded video is at 17:06:56, and the final saved video file that cannot be overwritten is 17:06:33-17:08:33 (Two video files, this video + the next video)

- ✘ To save the data of the front and rear cameras, so the total is 4 video files.
- ✘ Once the capacity of "Emergency Video" is full, it will be overwritten sequentially starting from the oldest video. So please format the memory card regularly.
- ✘ It is recommended to set the loop recording time to 1 minute.

## recorded videos and photos

### 1) via PC

Put the video card into the card reader, and the video and photos can be played back through the computer.



### Explanation of the video filename



weee

- ✘ Support Windows: 7/8.1/10/MAC OS X, does not support Linux
- ✘ Windows system is recommended to download and use PotPlayer player
- ✘ Support Mac OSX 10.3.6 and above, please download and use QuickTime 6.5 for this system Players of the above version
- ✘ Depending on the processing power of the computer and the environment in which the system is used, it cannot be guaranteed that all computers can be used normally.
- ✘ Even if the processing capacity of the computer is sufficient, improper operation may lead to abnormal playback.
- ✘ For inquiries about computer conditions, please contact major computer manufacturers or sales stores.

### 2) View via App

- Please go to major app stores and search for "DVR" to download general driving recorder

apps, such as DVR-N3 , DVR Motorola , Roadcam , 6 帧探  etc.

- Connect to the driving recorder WIFI, and view, edit, download videos and photos on the driving recorder device, change settings, etc. through the driving recorder app

- driving recorder starts with " ZONTES ", and the initial password is 12345678. like:  
WIFI name: ZONTES\_M5\_11e852  
WIFI password: 12345678  
Customers can change the WIFI password through the APP by themselves
  - to WIFI, customers can set the driving recorder through APP, such as recording time, G - sensor sensitivity, noise reduction sensitivity, WIFI name and password, etc. The parameters that can be set vary depending on the APP used.
  - other APP functions by yourself
- 
- ※ driving recorder must be turned on to connect to WIFI, and WIFI is off when it is turned off
  - ※ Customers can manually turn on WIFI, and confirm the working status of WIFI through the LED on the wire control switch
  - ※ WIFI connection is completed, the operation can be performed through the APP
  - ※ the driving recorder does not have a networking function, and the mobile phone network will be disconnected after connecting to the WIFI.
  - ※ The mobile phone may automatically disconnect the WIFI and connect to the mobile network because the WIFI of the driving recorder cannot be connected to the Internet, or prompt " This WIFI cannot be connected to the Internet, continue to connect". If you need to use the mobile APP to view the information of the driving recorder, please turn off the mobile network of the mobile phone and keep connected to the WIFI of the driving recorder
  - ※ When the mobile phone is automatically disconnected from the WIFI of the driving recorder, the data of the driving recorder cannot be read or viewed through the APP
  - ※ through the APP, the driving recorder will stop recording
  - ※ Viewing and downloading videos on the APP may be transcoded and compressed, making them look blurry. If you need to view the actual video effect, please directly read the data of the memory card of the driving recorder and download the original video (TS format)

## Specifications

Product name	Waterproof and noise-cancelling motorcycle special driving recorder
storage card	Support 8~128GB (requires class10 and above)
Front and rear cameras	SONY 1/2.8" CMOS 2Million Sensor 1920*1080P@25fps HDR Star vis Sensor
Front and rear lens parameters	DFOV = 146° 6 G+1IR-CUT F1.8
G-sensor	support
microphone	Built-in high-sensitivity microphone, you can set recording ON/OFF
star night vision	support
anti-shake	EIS electronic image stabilization
collision lock	support
WIFI interconnection	support
recording method	Ordinary video/G-sensor (emergency) video/photographing
video encoding	H.264 hardware encoding
file format	Video: TS Photo: JPEG
playback method	Computer player or dedicated APP
degree of protection	Camera IP67, host IP65, wire control switch IP64
Standby current of the whole machine	≤1mA
Use voltage	DC6 V ~24V *Use the standard dedicated step-down line
Operating temperature	-20℃ ~ +70℃

## Upgrade Software Instructions

1. Please turn off the vehicle power, and then pull out the memory card of the driving recorder.
  2. Insert the memory card into the computer, and copy the "SD-CarDV.bin" file to the root directory of the card.
  3. Please insert the card when the vehicle is turned off, and then turn on the vehicle to power it on.
  4. After the driving recorder is powered on, it will automatically start upgrading, the blue indicator light of the wire control switch will go out, and the red indicator light will flash quickly.
  5. After the upgrade is complete, the driving recorder will automatically delete the "SD-CarDV.bin" file, and the red indicator light of the wire control switch will go out.
  6. Turn off the vehicle and then turn it on again, the driving recorder works normally.
- ✘ If the upgrade is abnormal, please format the memory card on the APP, and then follow the above steps to upgrade