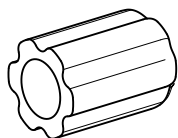


# ZONTES

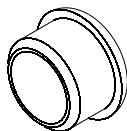
## ZONTES

### 整车展架安装指南 Guide to the installation of the exhibition rack

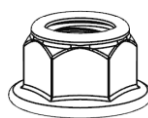
散件清单  
The list of bulk parts



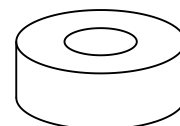
①×4



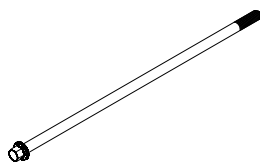
②×2



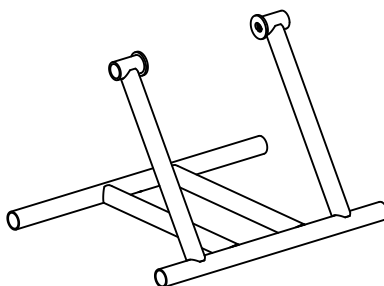
③×1



④×2



⑤×1

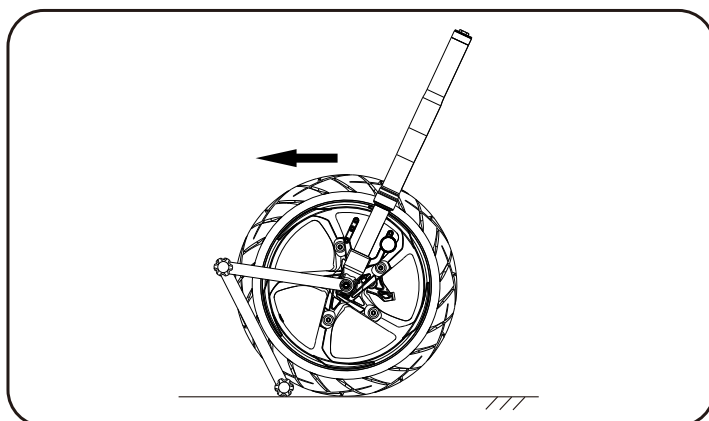
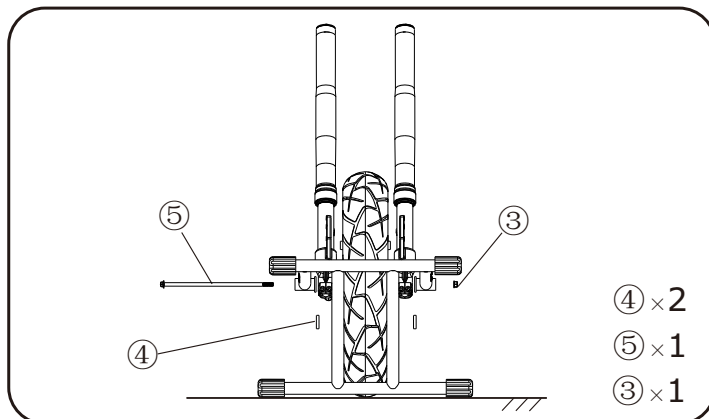
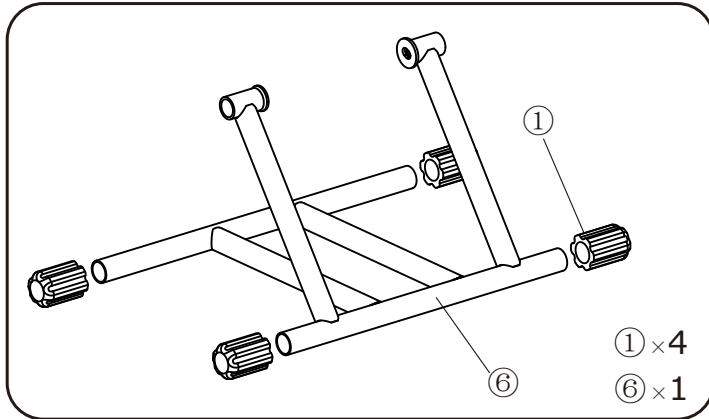


⑥×1

## • 注意 Note

- 本品适用于ZT310-T 19寸辐条轮系列整车，安装前请确认  
This product is used in ZT310-T 19" spoke front wheel models, please confirm before installation.
- 安装前请核对散件数目  
Check the number of bulk pieces before installation.
- 安装指南仅作参考，请以实际为准  
The installation guide is for reference only, please take the actual information as a guide.

安装示意图  
Installation sign



● 安装提示

Installation tips

- 安装①胶套时确保胶套套到底部避免脱落

When installing① sleeve,make sure that the sleeve is covered to the bottom to avoid falling off.

- 整车摆正后，先将展架长管上的两件胶套着地后再将展架对好前轮空心轴（如图3所示），从右侧穿入螺栓⑤，确保胶垫④在展架圆垫片与前减震器之间，避免穿螺栓⑤以及装配后划伤减震器。用12#套筒固定好螺栓⑤后用14#套筒顺时针锁紧，直到展架圆垫片刚开始往里变形时停止。顶住展架胶套外侧面将车辆往前推让展架4件胶套着地，将螺母③锁紧后将两件橡胶盖②装好。

After the vehicle is straightened, first put the two rubber sleeves on the long tube of the exhibition stand on the ground, then align the exhibition stand with the front wheel hollow shaft (as shown in Figure 3), insert the bolt ⑤ from the right side, ensure that the rubber pad④ is between the round gasket of the exhibition stand and the front shock absorber, and avoid threading the bolt ⑤ and scratching the shock absorber after assembly. After fixing the bolt ⑤ with 12# sleeve, lock the nut③ clockwise with 14# sleeve until the round gasket of the exhibition stand starts to deform inward. Push the vehicle forward against the outer side of the rubber sleeve of the exhibition stand, let the four rubber sleeves of the exhibition stand land, lock the nut ③ and install the two rubber covers ②.