

Contents

Table of Contents

	Page
<b>0 table of Contents .....</b>	<b>1</b>
<b>1 Frame component</b>	
1.1 Electrical Device component-1 .....	6
Main harness, dump switch, relay, flasher, rectifier, ignition coil	
1.2 Electrical Device component-2 .....	7
Flameout switch, horn, wake-up switch	
1.3 Frame plastic parts.....	8
Set clamp, side cover round glue, fuel tank liner limit glue	
1.4 Directional Column component.....	9
Lower plate component	
1.5 Frame, side bracket, put on the oil operation.....	10
Side bracket, frame oil drain bolt component	
<b>2 Frame &amp; engine combination</b>	
2.1 Frame & Engine Combination 1.....	11
Detachment standard, lower guard bar; shroud front bracket; engine left rear cover	
2.2 Frame & Engine Combination 2.....	12
Hanging piece, bracket component	
<b>3 Intake system components</b>	
3.1 Intake system components.....	13
Throttle valve body component, air filter, oil pipe	
3.2 Carbon canister component.....	14
Carbon canister, canister solenoid valve	
3.3 Replace the air filter element.....	15
<b>4 Rear wheel, rear fork component</b>	
4.1 Rear mud board.....	16
4.2 Rear shock absorption.....	17
Demolition after shock absorption, rear shock absorption adjustment	
4.3 Rear wheel component 1.....	18
Remove the rear rim component, sprocket seat, sprocket	
4.4 Rear wheel component 2.....	19
Decomposed rear rim component	
4.5 Rear fork component.....	20
Decomposed flat fork component	
4.6 Replace the rear brake pads.....	21
4.7 Rear brake main pump adds brake fluid.....	22

Contents

Table of Contents	Page
<b>5 Pedal component</b>	
5.1 Pedal height adjustment..... Shift lever, brake pedal height adjustment	23
5.2 Right footrest component-1..... Remove the right foot support component	24
5.3 Right footrest component-2..... Decomposition brake pedal component	25
5.4 Right footrest component-3..... Decompose the right pedal component	26
5.5 Left footrest component-1..... Remove the left foot support component and the shift lever component	27
5.6 Left footrest component-2..... Decomposition shift lever component, front left pedal component	28
5.7 Left footrest component-3..... Decompose the left footrest component	29
<b>6 Cooling system component</b>	
6.1 Change the oil.....	30
6.2 Replace the oil filter.....	31
6.3 Radiator tubing component..... Disassemble the radiator tubing component	32
6.4 Add coolant.....	33
6.5 Cooling liquid..... Remove the shroud component and release the coolant	34
6.6 Right tank component..... Disassemble the right tank component and the right water pipe component	35
6.7 Left tank component..... Disassemble the left tank component, the left water pipe component, and the auxiliary water tank component	36
<b>7 Surrounding component</b>	
7.1 Surrounding the middle component..... Unpack the middle cover and surround the middle	37
7.2 Envelope panel components..... Remove the left and right surrounding panel components	38
7.3 Left surround panel component..... Dismantle the left enclosure panel, the left turn signal, and the left enclosure trim panel	39
7.4 Right enclosure panel component..... Disassemble the right surrounding panel, the right turn signal, and the right surrounding decorative panel	40
7.5 Lower shroud component 1..... Remove the shroud component	41
7.6 Lower shroud component 2..... Disassemble Lower shroud component	42

Contents

Table of Contents

	Page
<b>8 Front fork component</b>	
8.1 Throttle/clutch cable clearance adjustment, light height adjustment..... Adjust the throttle line, clutch cable free travel; adjust the headlights light height	43
8.2 Instrument function description.....	44
8.3 Replacement clutch cable.....	45
8.4 Replace the throttle line.....	46
8.5 Steering adjustment..... Adjustment steering device	47
8.6 Right hand component..... Remove right rear view mirror, right hand rubber sleeve, balance block	48
8.7 Add brake fluid, rocker adjustment..... Add brake fluid, brake rocker adjustment	49
8.8 Replace the front brake pads.....	50
8.9 Front wheel component..... Disassemble the front wheel, front disc brake disc, front axle component	51
8.10 Front mud board & wheel speed sensor component..... Decompose front wheel speed sensor component, front mud plate component	52
8.11 Windshield component..... Remove windshield, windshield clamp, windshield liner	53
8.12 Instruments..... Dismantle the instrument	54
8.13 Head Cover Panel Components..... Demolished cover panel	55
8.14 Windshield Base component..... Windshield motor, windshield rocker and windshield base	56
8.15 Enclosing the interior components..... Front and rear surround, USB charging cable	57
8.16 Left and right hood..... Remove left and right hoods	58
8.17 Motor Controller, Headlight component..... Dismantle motor controller, wire plug fixing bracket, headlight component	59
8.18 Headlight component..... Headlights and headlights for sale	60
8.19 Left hand component..... Remove left rear view mirror, left hand rubber sleeve, balance weight, left switch	61
8.20 New states left hand rocker arm component..... Remove new states left hand rocker arm	62
8.21 Directional lever, upper plate, front shock absorbing component..... Demolition direction, upper clamp, upper plate component and front left and right shock absorption	63
8.22 Uplink plate, direction handle block component..... Disassemble the block, the upper plate, the electronic faucet lock	64

Contents

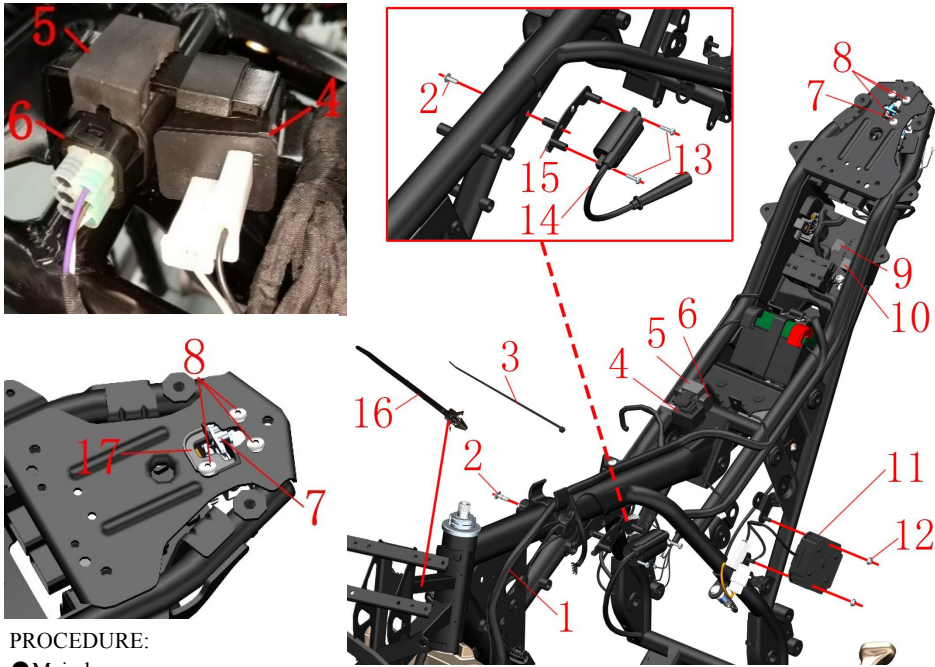
Table of Contents		Page
8.23	ABS brake system-1..... Dismantling ABS brake system	65
8.24	ABS brake system-2..... Disc brake main pump after discomponent	66
8.25	ABS brake system-3..... Remove the ABS control unit bracket	67
<b>9</b>	<b>Fuel tank cover component</b>	
9.1	Tank middle cover component..... Demolition tank cover component	68
9.2	Fuel tank cover, fuel tank cover, fuel tank lock..... Decompose the tank cover component	69
9.3	Fuel tank trim cover component..... Remove left and right fuel tank trim cover	70
<b>10</b>	<b>Tank liner component</b>	
10.1	Fuel Tank Box component..... Demolition tank box, PKE antenna	71
10.2	Tank liner component..... Demolition tank liner component, seat cushion fixing block	72
10.3	Tank liner..... Demolition tank liner, fuel pump, fuel tank cover bracket, fuel tank cap	73
<b>11</b>	<b>Side cover component</b>	
11.1	Side cover lower components..... Remove the lower part of the left side cover and the lower part of the right side cover	74
11.2	Left side cover upper component..... Remove the upper and middle parts of the left side cover	75
11.3	Right side cover upper component..... Remove the upper and middle parts of the right side cover	76
<b>12</b>	<b>REAR COVER COMPONENT</b>	
12.1	Rear Armrest component..... Remove the armrest	77
12.2	Rear mud board component 1..... Demolition of the mud board component and the rear mud board bracket	78
12.3	Rear mud board component 2..... Disassembled mud board component	79
12.4	Rear Turning Light After-sales Parts.....	80
12.5	Rear Skirt component 1..... After the discomponent, the skirt component, PKE buzzer, PKE antenna (short)	81

## Contents

Table of Contents	Page
12.6 Rear Skirt component 2..... After the discomponent, the middle of the skirt, the taillights and the left and right skirt components	82
12.7 Left rear skirt component..... Disassemble the left rear skirt component	83
12.8 Right rear skirt component..... Disassemble the right rear skirt component	84
12.9 Electrical Device Cover component..... Disassembled device cover, ECU, relay and fuse box	85
12.10 Battery Packs..... Battery removal, wake-up switch and charging precautions	86
12.11 Electrical component box component 1..... Disassembled device box component, electric device box lower cover	87
12.12 Electrical component box component 2..... Remove PKE, electrical box	88
12.13 External battery to start PKE system..... Emergency method to turn on PKE after battery power is exhausted	89
<b>13 Cushion component</b>	
13.1 cushion..... Discomponent and component cushion; seat cushion rubber separately purchased parts	90
<b>14 Muffler component</b>	
14.1 Muffler rear section..... Disassemble the rear section of the muffler, anti-scalding plate, muffler clamp	91
14.2 Muffler front section 1..... Remove the front part of the muffler	92
14.3 Muffler front section 2..... Decompose the front section of the muffler, oxygen sensor, muffler flange	93

All the information, illustrations and photographs collected in this manual are compiled according to the latest products. However, there may be some inconsistencies between your motorcycle and this manual due to the continuous improvement of the product and other changes.

©Guangdong Tayo Motorcycle Technolog Co.  
Ltd All rights reserve



## PROCEDURE:

## ● Main harness

Different plug-in methods are different, please unplug all the electrical components connected to the main thread according to the actual operation. It needs to use a word screwdriver, forceps, scissors and other tools to assist. The binding(3) and (16) can be picked out by using scissors.

## ● Flasher and dump switch

Remove the rubber sleeve(4) that connects the flasher(5) to the mounting bracket on the frame, and remove the dump switch with the same method, then separate the dump switch(6).

## ● Relay &amp; head light diode

Pull out the side stand relay(9) and electric injection relay(10) directly.

## ● Ignition coil &amp; support

Remove the crosshead bolts(13) with a cross screwdriver and remove the ignition coil(14). Remove the bolt(2) and remove the ignition coil support(15).

## ● Rectifier

Remove the nuts(12) and remove the rectifier(11).

## ● Seat lock

Find and take off the plug of the seat lock, and cut off binding(3). Remove bolts(8), then remove the seat lock(7) and seat lock guide block(17).

Fig.1 FRAME&ELECTRONIC PARTS COMPONENT		Electronic parts COMPONENT-1	CHK	CAUTION
			ADJ	
NO.	PART NO.	PART NAME	QTY	
1	1184200-029000	ZT310-X wire harness assembly	1	
2	1251100-102000	Non-standard bolt M6×16 (304 stainless steel)	1	
3	1224100-037000	0 level antflaming binding (black 3.6×295)	11	
4	1184200-039000	ZT250-S Flasher	1	
5	1244100-082000	ZT250-S Dump switch rabber	1	
6	1184100-002000	ZT250-S Dump switch	1	
7	1274100-058000	ZT310 seat lock	1	
8	1251100-101000	Non-standard bolt M6×12 (304 stainless steel)	3	
9	1184200-024000	ZT310-R side stand relay	1	G8HN-1C4T-RJ
10	1184100-017000	ZT250-S Electronic fuel injection relay	2	KH-1A4T
11	1184200-033000	ZT310-R Rectifier	1	
12	1250303-010093	GB6177.1 M6	2	
13	1250201-032093	GB818M5×16 bolt	2	
14		ZT310 EFI ignition coil	1	
15	1274100-085000	ZT250-R Ignition coil installing holder	1	
16	1224100-030000	Plug cable tie (black 4.8×130)	1	
17	1224200-205000	ZT310 electronic seat lock guide block	1	

## CAUTION:

- It should be removed them first, such as the head assembly, seat cushion, oil tank and so on.
- In order to avoid the improper contact of the bending electrical parts, please pay attention to the direction and angle of force when plugging the electrical parts, so as to avoid the improper contact of the bending electrical parts. No violent operation.
- Please notice the limit of the bracket when dismantling flasher and dump switch sleeve, beware of hurting your fingers.
- From the end of October 2020, a new seat lock guide block (17).

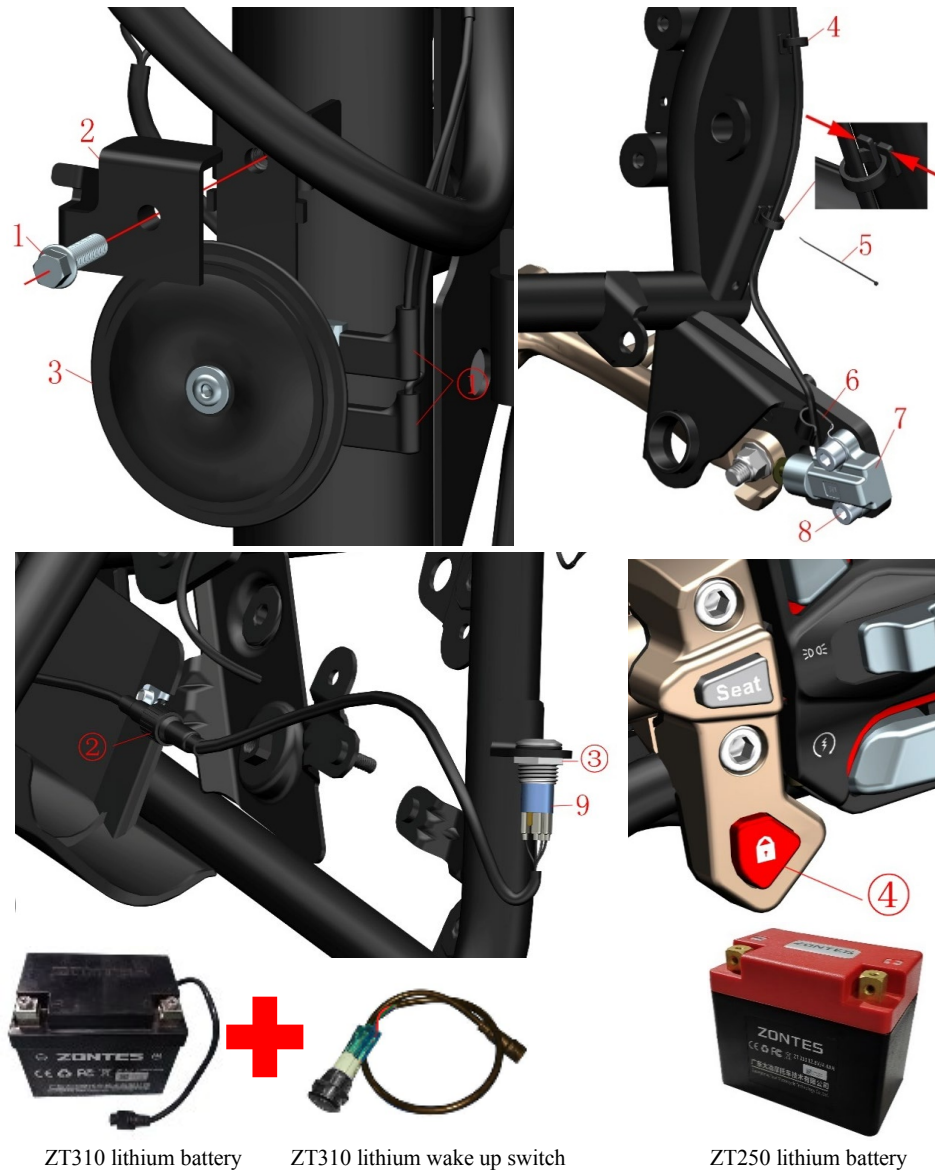


Fig.2 FRAME&ELECTRONIC PARTS COMPONENT		Electronic parts COMPONENT-2	CHK	⚠
			ADJ	
NO.	PART NO.	PART NAME	QTY	CAUTION
1	1251100-061093	M6×22 Screw bolt	1	
2	1274200-033000	ZT310—R No.2 holder of front disc oil pipe	1	
3	1184200-004000	ZT310 Horn	1	
4	1274100-017000	ZT250—S Cable clip	2	
5	1224100-037000	frane retardant ribbon	2	
6	1274100-095000	ZT250—S Holder of flameout switch cable	1	
7	1184100-012000	ZT250—S Flameout switch	1	
8	1250205-040095	GB70.1M8×16 Screw	2	
9	1184200-018000	ZT310 lithium recu switch	1	【1】

PROCEDURE:

●Horn

Take off the plug of horn① take the horn(3) by one hand use tool rotate the screw(1) by another hand remove the holder(2) then take off the horn.

●Flameout switch

Find and take off the plug of the flameout switch(6) press and take off the cable clip(4) cut ribbon (5).Using the inner hexagon tool, remove the bolts(8)、 the holder(6) and the flameout switch(7).

●Wake up switch

Find the plug of the wake up switch②, hold the plug tightly in one hand rotate the plug near the battery and then pull out after it is completely released.

Hold cable of wake up switch by one hand and use a wrench to rotate the screw③ then take off it by another hand , removing the recu switch and cable from the frame holder.

When the unlock button④ "🔒" is not unlocked or the battery voltage falls below the protection value and goes to sleep, press the wake-up switch button to activate the lithium battery control system. Awake switch warning bright indicates that the battery is fully charged. Slow flashing indicates that the battery is running out. At least idle or riding for half an hour. The flash indicates that the battery is depleted and the battery must be awakened before manual charging. A qualified lithium battery charger should be used for manual charging. Pay attention to fire prevention and ventilation during charging. Pay attention not to overcharge the charging time.

CAUTION:

●When Take off the plug①、 ②can't drag any cable.

●Attention the the strength and direction of force when removing cable clip.

●Can't overcharge the charging time. Please refer to the manual for details about tthe battery.

●【1】 Since April 26,2019, cancel lithium wake up switch. Wake up switch should be used with ZT310 lithium battery. The ZT250 lithium battery don't need wake up switch.

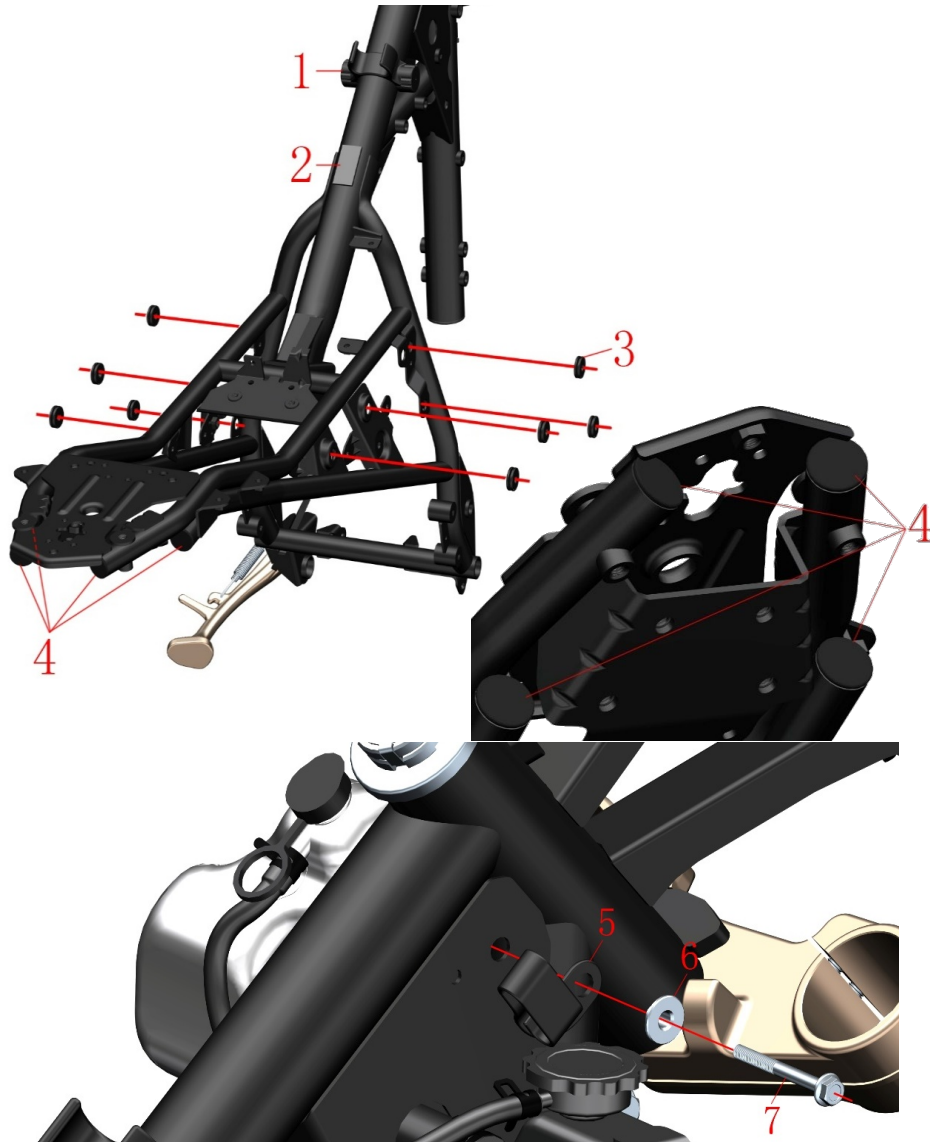


Fig.3 FRAME&ELECTRONIC PARTS COMPONENT		Frame plastic parts	CHK	CAUTION
			ADJ	
NO.	PART NO.	PART NAME	QTY	
1	1244100-019000	ZT250—S Inner fuel tank fix glue cushion	1	
2	1240300-007000	HJ125—6 battery cushion	1	
3	1244100-002000	ZT250—S side cover cushion	10	
4	1244100-061000	ZT250 Frame water proof rubber plug	4	
5	1224200-016000	ZT250—R Cable collection clip	1	
6	1274100-007000	ZT250-S flanged bushing( $\phi 6.4 \times \phi 9 \times 6 + \phi 20 \times 2$ )	1	
7	1250105-236093	GB5789M6×55 (environmental color zinc)	1	

## PROCEDURE:

## ● Inner fuel tank fix glue cushion

Use both hands to hold the two ends cylinder parts of the inner fuel tank limited glue cushion(1)and should push it out.

## ● Side cover cushion

Remove the side cover cushion(3)with your hand directly.

## ● Frame waterproof rubber plug

Remove the frame waterproof rubber plug (4)with your hand directly.

## ● Cable collection clip

First, take the cable and the main thread out from the collection clip, then use the straight screwdriver to pick up the screw(7)and then take the cushion (6) and cable collection clip(5) off.

## ● Battery cushion

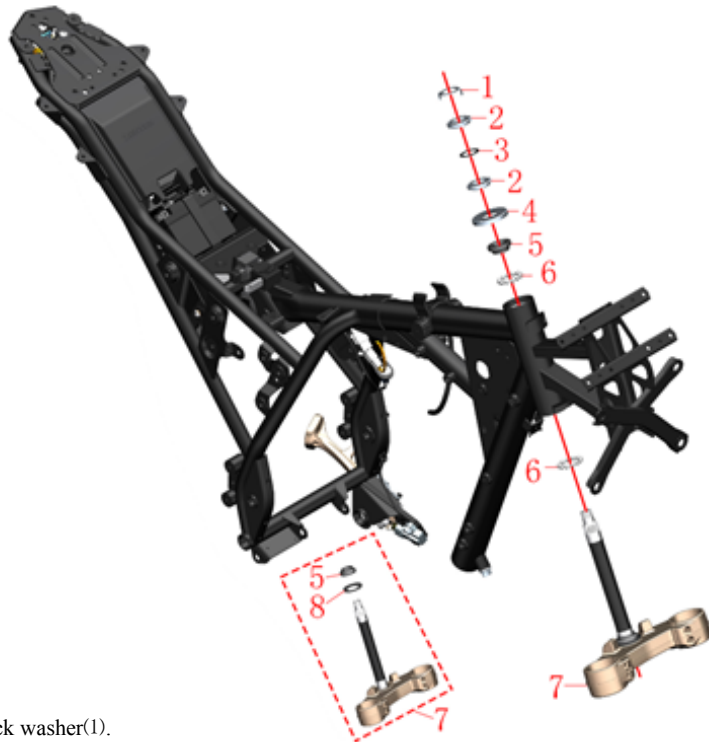
Put off the battery cushion (2)directly by hand.

## CAUTION:

● It must be dismantled them first, such as the cushion, fuel tank cover, inner fuel tank, sider cover, tail dress and so on.

● All parts should be correctly assembled.





## PROCEDURE:

## ● Disassembly

Remove the lock washer(1).

Remove the top adjusting nut (2) by using a special four-jaw or hook wrench tools.

Remove the rubber pad (3).

With one hand to hold down the down connected plate assembly (7), the other hand use a special four-jaw set or hook wrench to remove the adjusting nut(2).

Remove the upper dustproof cover(4).

Remove the down connected plate component(7).

Remove the axle ring (5) of the upper riser and the steel ball(6).

Remove the down connected plate component(7).

Remove the steel ball of the down connected plate component(7).

## ● Assemble

When reassembling, the conjoined steel beads should be painted lubricating grease,attention to the dosage.

The torque of rating nut which closes to upper dustproof cover is required to about 14N.m.so as to be able to rotate out of nimbleness.

The top adjusting nut only needs to rotate to the bottom of the nut groove alignment, not too tight to prevent the rubber pad (3) from deformation too larg.

Fig.4 FRAME&ELECTRONIC PARTS COMPONENT		Steering rack component	CHK	
NO.	PART NO.		ADJ	
1	1134100-007000	ZT250—S Rating nut lock washer	1	
2	1251300-046093	ZT250—S Steering column rating nut (color zinc)	2	
3	1244100-015000	ZT250—S Rating nut glue cushion	1	
4	1224100-005000	ZT250—S Steering column upper dustproof cover	1	
5	1130900-024000	ZT250—S Blowout patch	1	
6	1130900-022000	ZT250—S One-piece steel ball	2	
7	1134100-015000	ZT250—S Down connected plate (selfmade/with blowout patch) component	1	
8	1224100-006000	ZT250—S Steering column down dustproof cover	1	<b>【1】</b>

## CAUTION:

● Remove the head part component, handlebarcomponent and front shock absorber component first.

● Please pay attention to fix the awaiting repair motorcycles during disassembly, prevent dumping by accident.

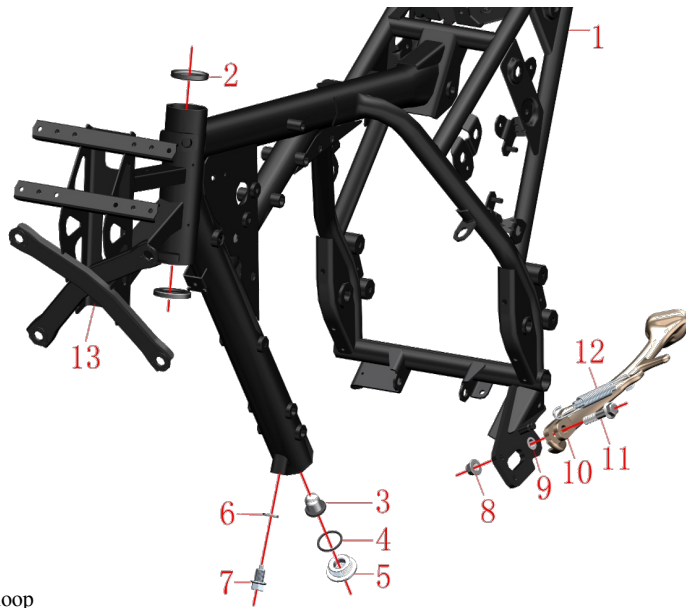
● Please check whether the steel beads of the conjoined body have abnormal phenomena such as partial abrasion and rust. If YES, please buy the regular accessories on ZONTES official website, if not, please be sure to grease the old grease and repaint the lubricating grease on it.

● It must be to check whether the steel ball is available during reassembly.

● It must be reasonable to adjust the steering, too loose will cause the locomotive to brake slightly, and the locomotive will shake slightly, too tight can lead to inflexibility, resulting in safety hazards.

● If you have the ability and the right tool, you can change the shaft ring (5) and the dustproof cover (8). During the replacement process, pay attention to the protection of the lower connected plate. After replacement, it must be to check the parallelism of the column and the damping hole, the vertical degree of the vertical column and the lower connected plate.

● **【1】** the down connected plate (selfmade/with blowout patch) component(7), has been contains the Steering column down dustproof cover(8).



## PROCEDURE:

## ● Checking the cushion loop

Checking whether the cushion loop (2) is frayed, if as it, please replace it on ZONTES website, fix the cushion loop well and paint the lubricating grease on it with appropriate tool.

## ● Replacing the engine oil filter screen

Put the oil pan on the bottom and use the appropriate tools to remove the oil cold joint (5), O ring (4), and oil filter screen(3). When replacing the oil filter screen (3), the O-ring(4) must be replaced at the same time. The oil cooling joint(5) must be tightened well when re-assembling which meets the standard torque value.

## ● Release the frame tube enging oil

Put the oil pan at the bottom, use the appropriate tool to remove the oil bolts(7) and the sealing gasket(6), and remove the oil from the frame tube. Refer to the instructions for detailed steps to replace the oil. It is recommended that the engine oil should be replaced with oil bolts (7) and sealing gasket(6) to prevent oil leakage.

## ● Sider support

Use the cross screwdriver to remove the side support spring, and guard against the personal injury caused by spring contraction, remove the nuts (8) and bolts (11) with the appropriate tools. Remove the side support (10) and bush(12), paint the lubricating grease on the bush when re-assembling ,then put it into the frame(1).

## ● Head cover pad

Remove the rubber pad (13) and clean the remaining glue.

Fig.5 FRAME&ELECTRONIC PARTS COMPONENT		Frame, Side support, the operation of releasing engine oil	CHK	CAUTION
			ADJ	
NO.	PART NO.	PART NAME	QTY	
1	4014200-011000	ZT310—X frame after-sales component	1	<b>【1】</b>
2	1130900-026000	ZT250—S Fix loop	2	
3	1274100-006000	ZT250—S Frame engine oil filter screen	1	
4	1051453-003000	27.4×2.65 Acrylate O gule cushion loop	1	
5	1274100-024000	ZT250—S Oil cooling joint	1	
6	1244100-033000	Sealing gasketφ12×φ20×2	1	
7	1251100-066093	M12×1.5×15 Ablassschraube (color zinc)	1	24±4N.m
8	1251300-057093	Non-standard bolt M10×1.5 (dacromet)	1	
9	1251700-025091	ZT250—S Side support bush	1	
10	1274200-050000	ZT310—R side support	1	<b>【2】</b>
	1274200-200000	ZT310—T side support(short)		
11	1251100-088094	Non-standard bol M10×1.5×43 (dacromet)	1	
12	1264100-001000	ZT250—S Side support spring	1	
13	1240300-066000	KD250—J head cover pad	1	

## CAUTION:

● Remove the wind deflector component, handle bar component, steering column component first.

● Paint the lubricating grease on the cushion ring to decrease the rotary resistance of front forklift.

● The waste oil needs to be collected and returned to qualified institutions. It is forbidden to dump and pollute the environment and the source of water.

● Pay attention to safety when mounting side support spring.

● All parts should be correctly assembled.

● **【1】** the frame after-sales component contains fix loop and nameplate.

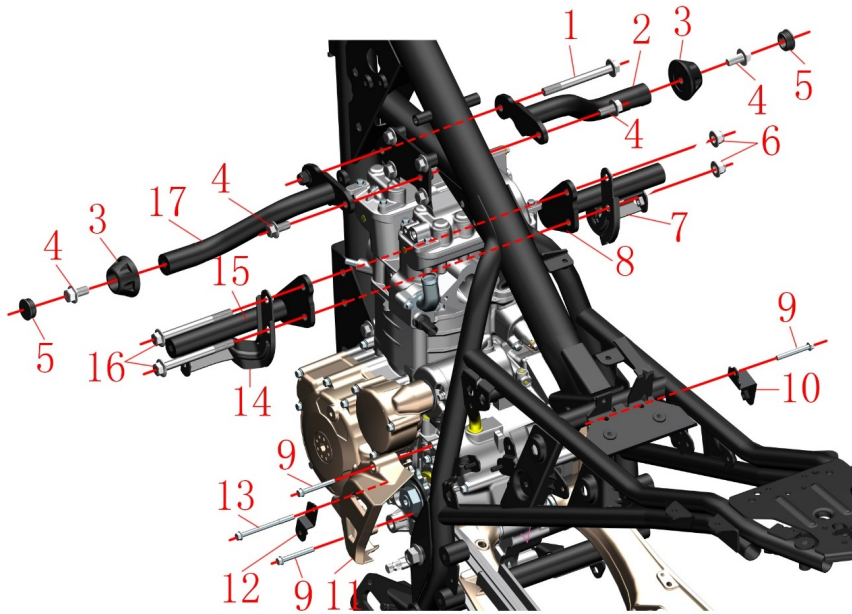
● **【2】** ZT310-R side support for ZT310-R shock absorption.ZT310-T side support(short) for ZT310-X shock absorption.



ZT310-R side support



ZT310—T side support(short)

**PROCEDURE:**

## ● engine left rear cover

Remove the left side bolt (9) of the engine with a sleeve and remove the sprocket cover (11).

## ● Shroud bracket

Use the sleeve to remove the bolt (13) and remove the shroud left bracket (12). Remove the bolt (9) and remove the right bracket (10). Reassemble the bolts to the engine after removing the bracket to prevent oil leakage.

## ● guard bar assembly

Remove the bolt (1) with a sleeve, and grasp the left upper guard bar assembly with one hand to remove the bolt (2) and then remove it. Similarly, remove the right upper guard bar assembly.

Remove the nut (6) and remove the front right bracket (7) and the lower right guard bar (8). Use a rubber mallet to strike the bolt (16) threaded head and pull out, while removing the lower left guard bar (15) and the front left bracket (14).

To disassemble the left and right upper guard bars, first remove the waterproof rubber plug (5), remove the bolt (4), and remove the protective rubber (3). If only the engine is removed, it does not decompose.

To disassemble the left and right upper guard bars, first remove the waterproof rubber plug (5), remove the bolt (4), and remove the protective rubber (3). If only the engine is removed, it does not decompose.

Fig.1 FRAME&ENGINE		FRAME&ENGINE 1	CHK	CAUTION
NO.	PART NO.	PART NAME	ADJ	
1	1251100-135000	Non-standard bolt M10×1.5×95 (Dacro)	1	
2	1144200-008000	ZT310-X right upper guard bar	1	
3	1244200-054000	ZT310-X protection bar protection glue	2	
4	1251100-082093	Non-standard bolt M10×1.5×20 (Dacro)	2	
5	1244100-061000	ZT250 frame waterproof rubber stopper	2	
6	1251300-057093	Non-standard nut M10×1.5 (Dacro)	2	
7	1274200-026000	ZT310-X lower shroud front right bracket	1	
8	1144200-007000	ZT310-X lower right guard bar	1	
9	1251112-003093	M6×45 hexagonal flange surface 9.8 bolt (environmental color zinc)	1	
10	1274200-028000	ZT310-X lower shroud rear right bracket	1	
11	4044201-022051	ZT310-R engine left rear cover	1	
12	1274200-027000	ZT310-X lower shroud rear left bracket	1	
13	1251112-005093	M6×75 hex flange bolt (environmental color zinc)	1	
14	1274200-025000	ZT310-X lower shroud front left bracket	1	
15	1144200-006000	ZT310-X lower left guard bar	1	
16	1251100-137000	Non-standard bolt M10×1.5×100 (Dacro)	2	
17	1144200-005000	ZT310-X upper left guard bar	1	

**CAUTION:**

- First remove the seat cushion, fuel tank, side cover, foot support, lower guide, shift lever, muffler, radiator and its pipeline, cable, air filter interface, chain, engine negative line, etc.
- Use the appropriate tools to support the whole vehicle to prevent accidents caused by the dumping of the vehicle during the disassembly process; single operation is strictly prohibited.
- Waste engine oil should be recycled and disposed of by a qualified organization; it is forbidden to dump the polluted environment or water source at will. Wipe clean oil.
- Always be vigilant throughout the process to prevent accidents.
- When disassembling the engine, be sure to operate it at the same time.

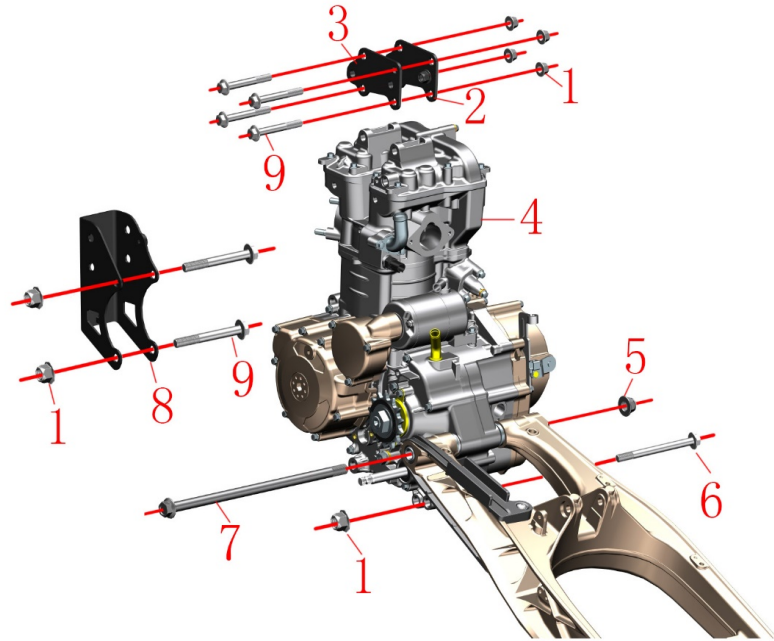


Fig.2 FRAME&ENGINE		FRAME&ENGINE 2	CHK	CAUTION
			ADJ	
NO.	PART NO.	PART NAME	QTY	
1	1251300-057093	Non-standard nut M10×1.5 (Dacro)	7	
2	1020242-186000	ZT310-R upper right hanging piece	1	
3	1020242-185000	ZT310-R top left hanging piece	1	
4		ZT180MN engine	1	
5	1251300-059093	125 rear fork shaft nut M14×1.5 (Dacro)	1	
6	1251100-086093	Non-standard bolt M10×1.5×112 (Dacro)	1	
7	1252200-016093	250 rear fork shaft 14×310 (Dacro)	1	
8	4024200-005000	ZT310-R bracket	1	
9	1251100-132003	Non-standard bolt M10×1.5×80 (Dacro)	6	

**PROCEDURE:**

- The middle part of the engine is connected with the frame and the rear fork

First, cover the head of the bolt (7) with a sleeve, and then remove the nut (5) with a sleeve. The bolt (7) cannot be removed.

- hanging piece

First cover the head of the bolt (9) with a sleeve, and then remove the nut (1) with a sleeve. The bolt, right upper slat (2) and upper left shackle (3) cannot be removed.

- bracket, engine hanging

First cover the head of the bolt (9) with a sleeve, and then remove the nut (1) with a sleeve. Remove the bracket after removing the bolt (8)

First cover the head of the bolt (6) with a sleeve, and then remove the nut (1) with a sleeve. Then remove the bolt (6).

Both of them hold the left and right boxes of the engine at the same time; one person removes the bolts (7). Then remove the rear fork assembly. Remove the bolt (9) and remove the upper right hanging piece (2) and the upper left hanging piece (3).

Hold the engine to translate to one side and pay attention to safety during the movement. Place the engine smoothly on the ground.

**CAUTION:**

- Use the appropriate tools to support the whole vehicle to prevent accidents caused by the dumping of the vehicle during the disassembly process; single operation is strictly prohibited.
- Waste engine oil should be recycled and disposed of by a qualified organization; it is forbidden to dump the polluted environment or water source at will. Wipe clean oil.
- Always be vigilant throughout the process to prevent accidents.
- When disassembling the engine, be sure to operate it at the same time.
- All standard parts must meet the standard torque value during reassembly, and re-add the oil according to the instructions.

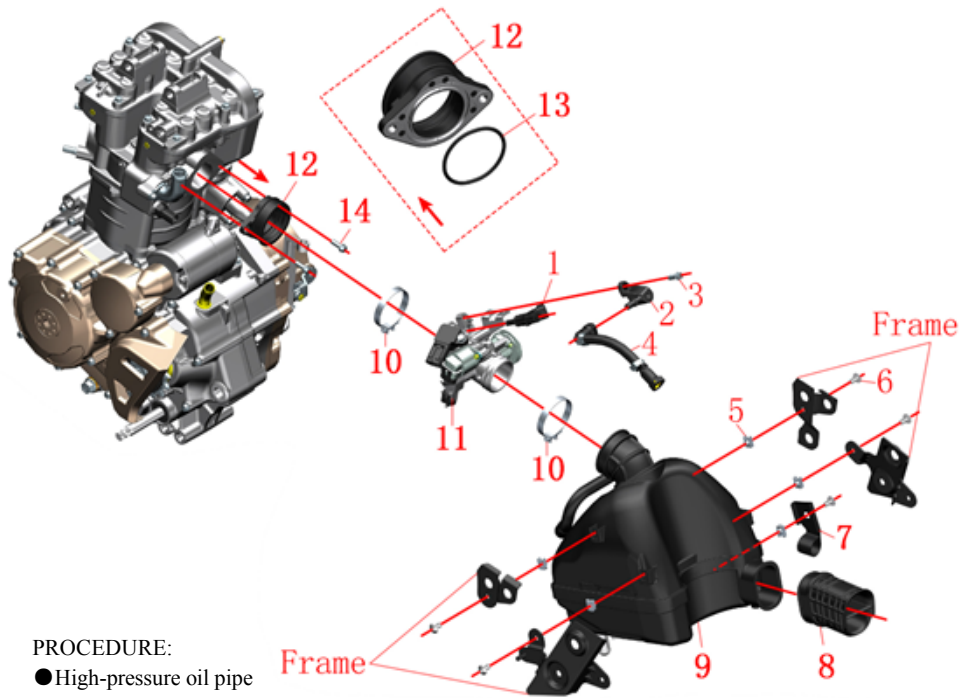


FIG.1 INTAKE SYSTEM COMPONENT		Intake system component	CHK	CAUTION
NO.	PART NO.		ADJ	
		PART NAME	QTY	
1	1050954-007000	39-N008 Fuel injector	1	
2	1050954-008000	39-N008 Fuel injector fixator	1	
3	1251112-001093	M6×16 Hexagon flange bolt (color zinc)	1	
4	1050954-006000	ZT250-R Fuel injector high pressure oil pipe unit	1	
5	1251300-063093	Plywood M6×11×15 (Environmental protection)	5	
6	1251100-101000	Non-standard bolt M6×12 (304stainless steel)	5	
7	1274200-034000	ZT310-R Rear disc brake tubing clamp (steel)	1	
8	1244200-017000	ZT310-R Air filter large air inlet	1	
9	1224200-058000	ZT310-R Air filter second generation	1	
10	1051354-004000	Φ56×10 Hoop assembly	1	
11	1050954-005000	TB39 Throttle body part	1	
12	1050954-012000	TB39 Intake pipe assembly	1	
13	1051453-007000	45×2.1 Fluorine rubber O-ring	1	
14	1251100-061093	M6×22 Hexagon flange bolt (color zinc)	2	

## PROCEDURE:

## ● High-pressure oil pipe

First press the high pressure oil pipe(4),the anti-loose snap ring close to the fuel pump connector and pull it out directly.A small amount of fuel in the oil pipe needs to be caught in the oil can; prevent fuel from dripping to any part of the vehicle.Then press the anti-loose snap ring near the injector holder(2) and remove the high pressure oil pipe,as shown in the lower right figure. Fireworks should be strictly forbidden during the disassembly process.

## ● Air filter

Fisrt use the inner hexagon tool to remove the bolt(6),Pull off the brake oil pipe from the oil pipe clamp(7) and remove it. Loosen the pipe clamp assembly(10) on the end of the air filter, Clamp the clamp on the exhaust pipe with pliers and unplug the exhaust pipe connected to the exhaust port of the engine.Then use the rubber plug that is delivered with the car when buying the car to prevent foreign matter from entering the damaged engine.Remove the air filter(9) and the plywood nut(5),finally pull out the air inlet(8).

## ● Throttle assembly

Use the plum blossom wrench to loosen the bolt(14),and remove the throttle assembly.Loosen the hoop between the intake pipe assembly (12) and throttle assembly(11), and then remove them separately.Remove the O-ring (13) from the intake oipe assembly.Loosen the bolt (3) on the injector holder (2)with a sleeve. Remove the holder and remove the injector (1).

## CAUTION:

- First it need to remove the cushion,side cover,oil tank outside cover and liner,rear shock absorber and electrical device box etc.
- When removing the high pressure oil pipe,It is sure to operate until the engine and muffler are completely cooled.
- Fireworks, answering or dialing should be strictly prohibited near the car-breaking site to prevent accidents.



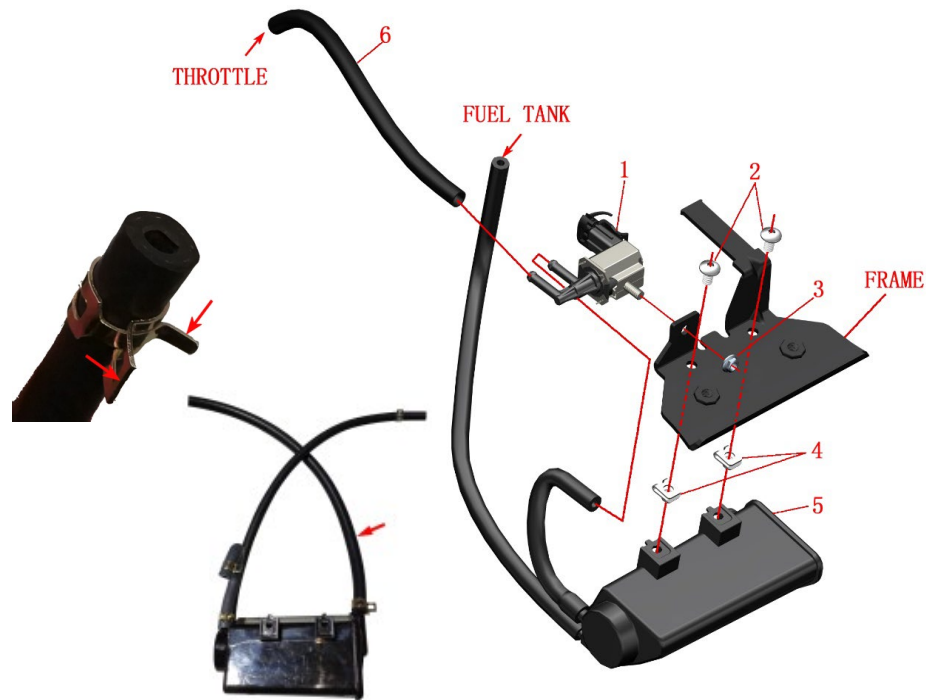


Fig.2 INDUCTION SYSTEM COMPONENT		Induction system component	CHK	CAUTION
			ADJ	
NO.	PART NO.	PART NAME	QTY	
1	1050954-009000	YH Carbon tank electromagnetic valve	1	
2	1251100-101000	Non-standard bolts M6×12 (304 stainless steel)	2	
3	1250303-010093	GB6177.1M6 (color zinc)	1	
4	1251300-063093	Plywood M6×11×15 (color zinc)	2	
5	1224200-158000	ZT310-R Carbon tank II (with fuel pipe)	1	
6	1244200-004000	TB41 Throttle valve desorption rubber tubing	1	

#### PROCEDURE:

##### ● Carbon tank

Clamp the pipe clamp on the exit of the oil and gas separator at the bottom of the tank with pliers and pull out the tubing. Unplug carbon tank solenoid valve (1) with the same method. Remove the bolts with the inner hex tool (2). Remove the carbon tank (5) from the left side of the frame and remove the plywood nut (4).

##### ● Desorption tubing

Clamp the pipe clamp on both ends of the desorption tubing, and take it (6) out.

##### ● Carbon tank electromagnetic valve

Remove the plug of the solenoid valve (1), then remove the nut (3) with the sleeve and remove the electromagnetic valve.

#### CAUTION:

- It needs to remove the seat cushion, side cover, oil tank cover, bladder and so on.
- Regularly check whether the filter element of the carbon tank and air filter is not ventilated, otherwise it may cause the oil supply to affect the driving experience.
- It should be no crimp, entanglement and other phenomena.
- Add a fuel pipe on March 13, 2019 to prevent fuel dropping onto the muffler surface.

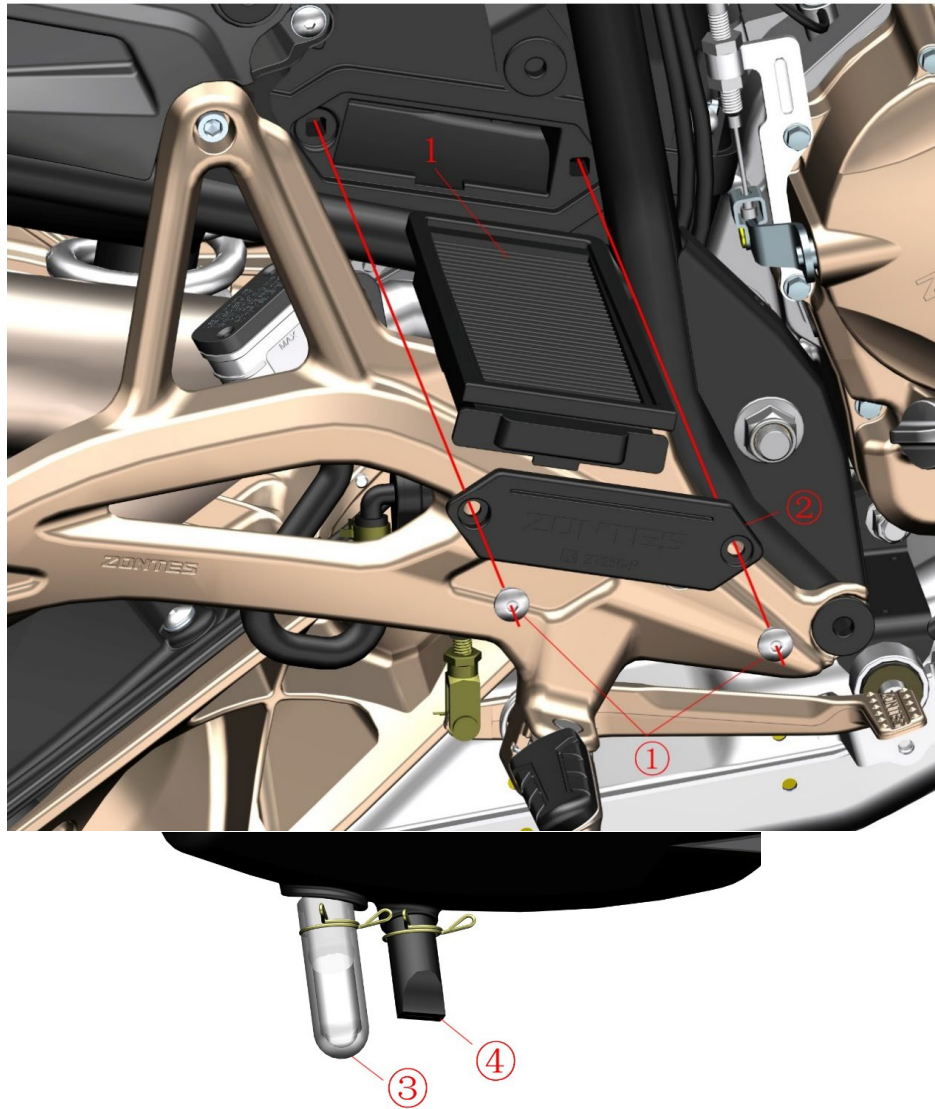



Fig.3 INDUCTION SYSTEM COMPONENT		Induction system component	CHK	
			ADJ	
NO.	PART NO.	PART NAME	QTY	CAUTION
1	4134200-002000	ZT310 Air filter sponge filter element ( carton packaging )	1	

**PROCEDURE:**● **Filter element**

If you need to maintain the filter element of the air filter, remove the seat cushion, the right side cover. Take the two standard parts ① out of air filter with the tool, dismantle the box cover ②, then extract the filter element (1). Blow the dust off the filter core by blowing dust gun in the filter element. If the blowback causes the dust to be unable to clean up, the engine will be damaged or the induction resistance will become larger and affect the driving experience. If there is any damage, please log on the official website and purchase another parts.

● **Oil pipe and water pipe**

Avoid water into the air filter when washing the motorcycle. Can pulled out the oil pipe③ and water pipe④to release if into small water. keep no water inside before starting the engine. Inspect the oil pipe regularly if more oil is accumulated should be released in time.

**CAUTION:**

- Regularly check whether the filter element of the carbon tank and air filter is not ventilated, otherwise it may cause the oil supply to affect the driving experience.
- When blowing dust, pay attention to maintain a certain distance to avoid excessive damage to the filter element.

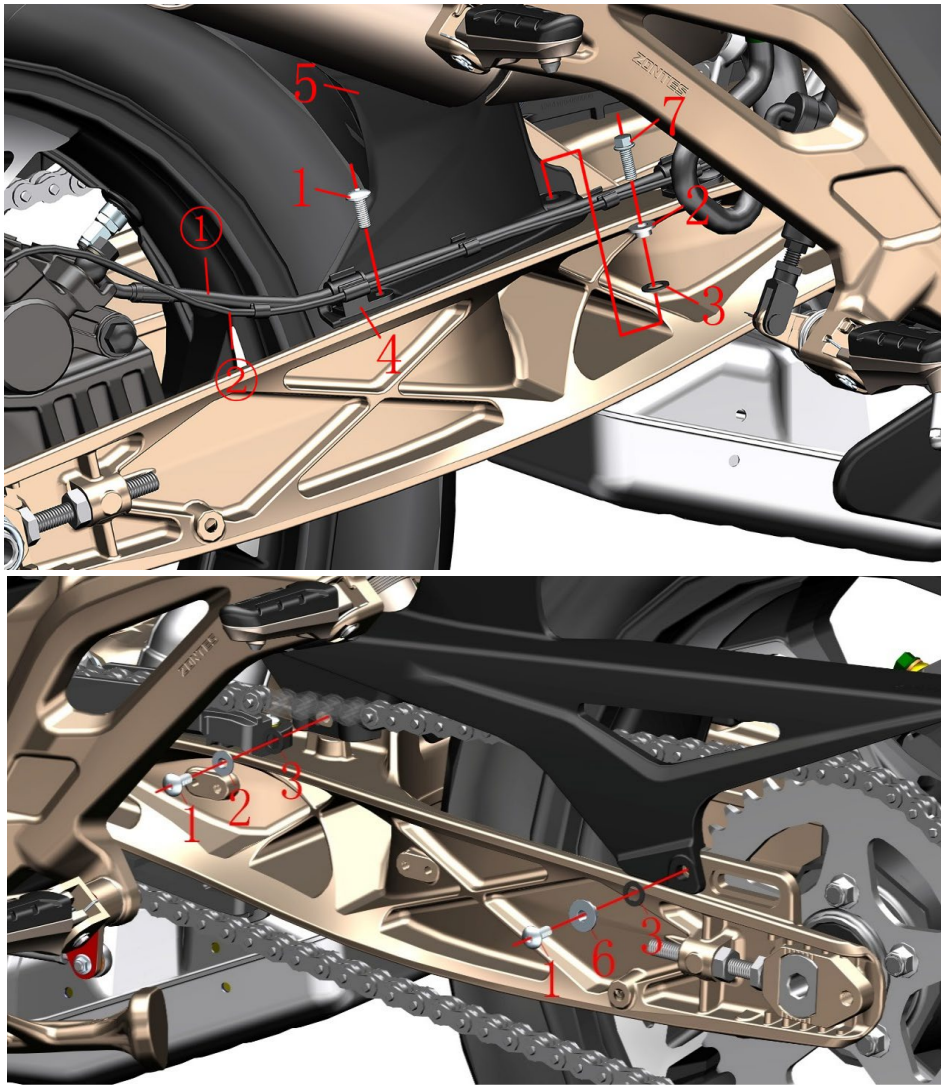


Fig.1 Rear wheel, swinging arm assembly		Rear inner mudguard	CHK	⚠
NO.	PART NO.	PART NAME	ADJ	
1	1251100-102000	Non-standard Bolt M6×16 (SS)	3	
2	1274100-057095	Bush φ6.2×φ8.4×3.5+φ14×1.5	2	
3	1244100-052000	Gum cushion, bush (φ8.5×φ14×1)	3	
4	1224200-003000	ZT310—Z rear disc brake oil tube cleat	1	
5	1224200-002000	ZT310—Z rear inner mudguard	1	Old
	1224200-094000	ZT310—rear inner mudguard		New
6	1251700-059093	Bush φ6.4×φ9×8+φ18×2 (environmental color-zinc)	1	
7	1251112-001093	M6×16 Hexagon flange bolts (color zinc)	1	

## PROCEDURE:

## ●Rear inner mudguard

First of all, pull out the braking oil tube① and wheel speed sensor cable②, which are on the right side of rear inner mudguard, from the slot of rear disc brake oil tube cleat; Disassemble 3 bolts(1) and bolts (7) with hex sockets tool and open end wench, disassemble bush(2), bush(6); gum cushion(3); finally take off the rear inner mudguard(5).

## CAUTION:

- Use suitable tools to support the motorcycle, in case of accidents caused by motorcycle falling down. Single person operating is prohibited.
- Stay alert during the manipulation and avoid accident.
- Old type rear inner mudguard matches exterior gasbag rear absorber while new type rear inner mudguard matches internal gasbag rear absorber. Buying new type rear inner mudguard along with internal gasbag rear absorber is suggested if your motorcycle is originally using exterior gasbag rear absorber and you want to change the internal one.



External gasbag rear absorber + Z rear inner rear mudguard Inner gasbag rear absorber + R rear inner mudguard



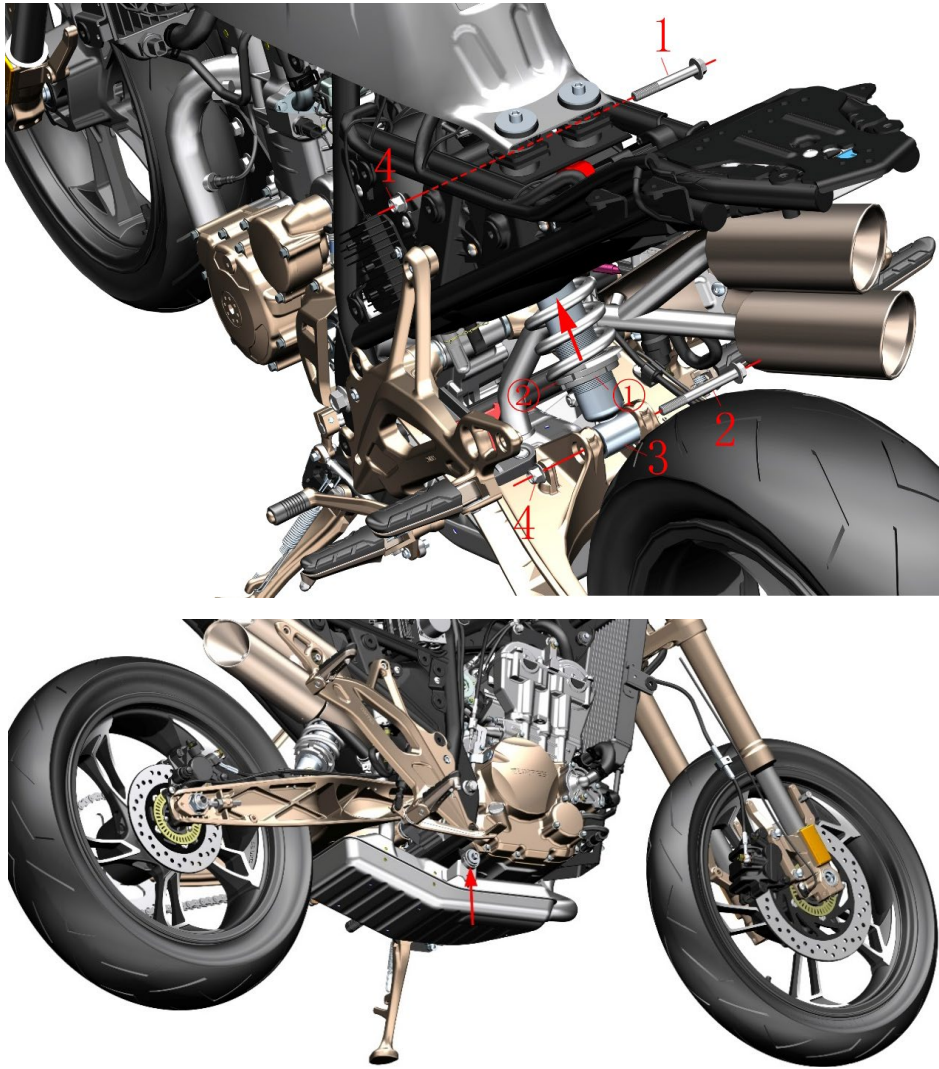


Fig.2 Rear wheel, swinging arm assembly		Rear shock absorber	CHK	
			ADJ	
NO.	PART NO.	PART NAME	QTY	CAUTION
1	1251100-085093	Non standard bolt M10×1.5×75 (DACROMET)	1	
2	1251100-060000	Non standard bolt M10×1.5×90 (DACROMET)	1	
3	1114200-020000	ZT310—X Rear shock absorber (improved)	1	【1】
	1114200-001000	ZT310—Z rear absorber		【2】
4	1251300-057093	Non standard nut M10×1.5 (DACROMET)	2	

## PROCEDURE:

## ●Rear shock absorber

Put down side stand. Person 1: Turn the handling bar to left end with left hand; hold tight the rear pedal with right hand and lean the motorcycle to left side. Person 2: support the motorcycle with a wooden stool from right side of motorcycle at the muffler installation point(see left lower photo) to lift the rear wheel a little bit from the ground. After supporting well the motorcycle, Person 1 hold firmly bolt(1)&(2) with socket sleeve while Person 2 disassemble nuts(4) with socket sleeve.

Person 1 shake slightly the rear wheel up and down. Person 2 drag out bolt(2).

Person 1 hold firmly the motorcycle. Person 2 lift the rear shock absorber(3) towards the arrow direction and drag out bolt(1). Take off the rear absorber at last.

## ●Adjust the rear absorber

Use hook spanner to loosen adjustive nut①. Rotate adjustive nut②. If the nut is rotated towards the arrow direction, the spring becomes harder. Conversely, the absorber is softer. Tighten the adjustive nut① until the absorber is under suitable status. Please adjust in a reasonable range. Riding experience would be influenced either the absorber is too soft or too hard.

## CAUTION:

- Disassemble seat, L,side cover, R, side cover, bolts on front parts of rear cover and rear inner mudguard.
- Use suitable tool to support the motorcycle. Avoid accidents caused by falling motorcycle. Single person manipulation is prohibited.
- All the standard parts need to reach standard torque while reassembling.
- To change new type rear absorber from old type is suggested for new type has better performance and comfort while riding. Buying new type rear inner mudguard along with new type rear absorber can provide best effect.



【2】 New type internal airbag absorber



【1】 Old type exterior airbag absorber

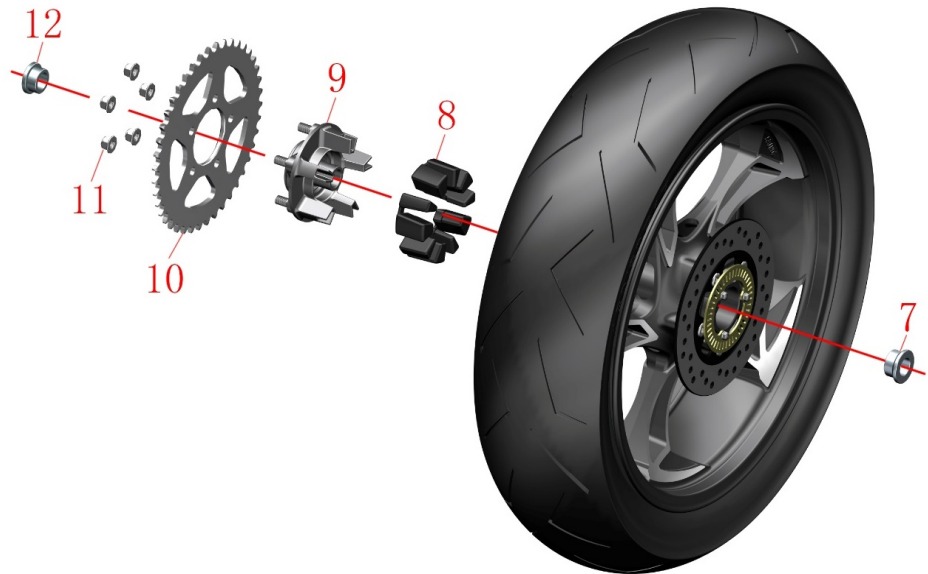
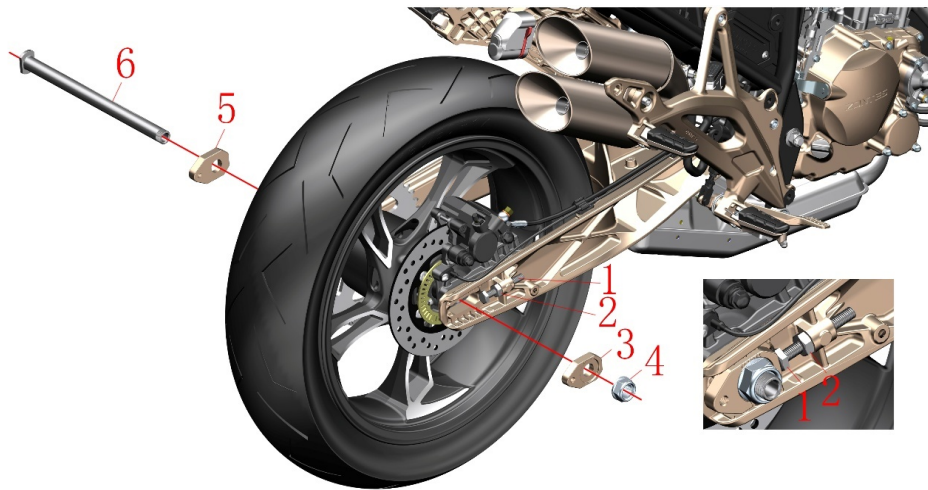


Fig.3 Rear wheel, swinging arm assembly		Rear wheel component 1	CHK	CAUTION
NO.	PART NO.	PART NAME	ADJ	
1	1251100-105000	ZT310—Z Chain adjusting bolt M10×70	2	
2	1251300-050000	ZT310—Z Chain adjuster nut M10	2	
3	1032142-073035	ZT310 R, chain adjuster(Titanium)	1	
4	1251300-067000	ZT250—R rear wheel axle nut	1	110N.m
5	1032142-072035	ZT310 L, chain adjuster(Titanium)	1	
6	1094100-032000	ZT250—R rear wheel axle	1	
7	1274200-002000	ZT310 Rear wheel right axle sleeveφ20×φ28×φ38×18.5	1	
8	1244100-010000	ZT250—S Sprocket gum cushion	5	
9	1094100-029000	ZT250—S Sprocket bracket	1	
10	1080100-041000	ZT310—R 520—42T sprocket	1	
11	1251300-057093	Non standard nut M10×1.5 (DACROMET)	5	
12	1094100-035000	ZT310 rear wheel left axle sleeveφ20×φ30×φ35×17.8	1	

## PROCEDURE:

## ●Rear wheel assembly

Disassemble rear wheel axle nut(4) with socket sleeve.

Use open spanner to move chain adjuster nut(2) on both sides towards rear wheel axle until they reach chain adjusting bolt(1). Then rotate the bolt and nut towards motorcycle front direction till the end.

Push rear wheel assembly towards motorcycle front direction and take off the chain from sprocket.

Hold the rear wheel assembly. Punch rear wheel axle(6) with rubber hammer. Take off right chain adjuster(3), right axle sleeve(7), rear tire and rim assembly, left axle sleeve(2), left chain adjuster(5). Tie firmly the rear disc brake clamp and avoid it to be lifted higher than disc brake oil cup. Disassemble the rear wheel axle at last.

## ●Sprocket bracket assembly

Put down the rear wheel assemble horizontally. Take off nut(11) with socket sleeve. Take off sprocket(10); sprocket bracket(9). Pull out the sprocket gum cushion(8) from the rim.

## CAUTION:

●Use suitable tool to support the motorcycle. Avoid accidents caused by falling motorcycle. Single person manipulation is prohibited. All the standard parts need to reach standard torque while reassembling.

●Using iron hammer to punch rear wheel axle, disc brake clamp assembly is prohibited.

●While disassembling the rear wheel assemble, avoid the rear disc brake clamp to be lifted higher than the disc brake oil cup. If not, air will get into the tubes and cause softness or failure on braking system. As disc brake tubes request extremely high vacuum degree. Make sure manipulator has maintenance ability before disassembling the disc brake assembly.

●Check the chain regularly. Clean the chain every 1500km is suggested. Keep the tightness of chain to be in a suitable range. Too loose chain have possibility to separate from sprocket or damage the engine. Too tight chain can be worn out quickly.

●Wheel axle: Use dial indicator to check if it's deformed or bended.

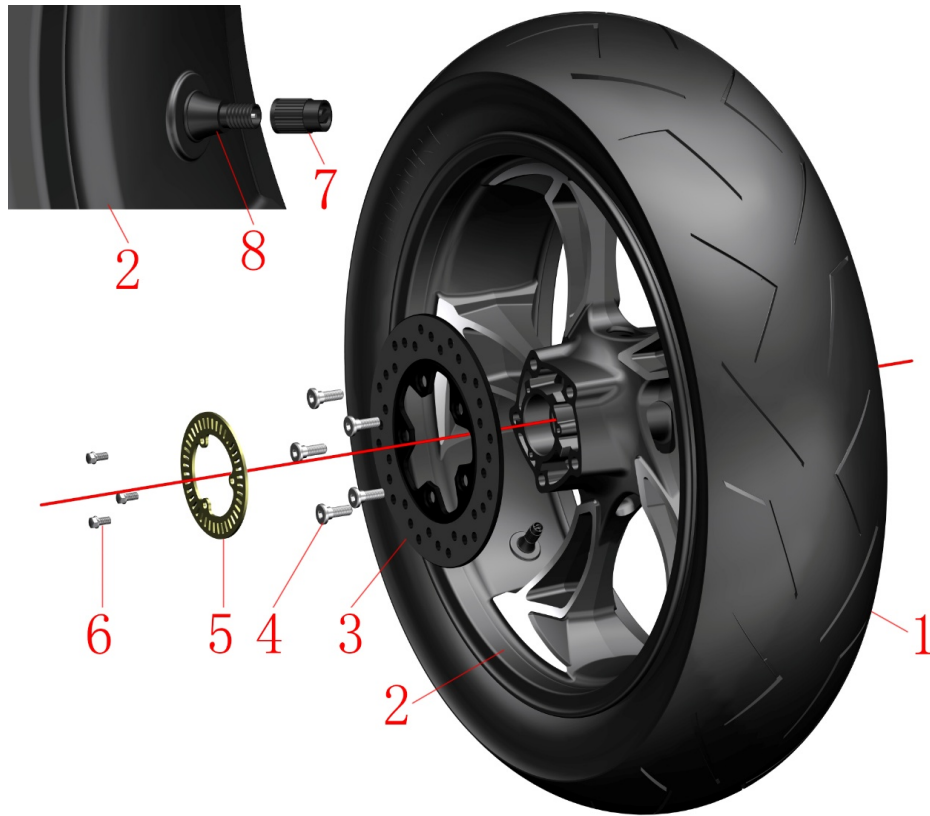


Fig.4 Rear wheel, swinging arm component		Rear wheel assembly 2	CHK	
NO.	PART NO.	PART NAME	ADJ	
1	1230100-480000	160/60R17(CM638R)Rear tire(environmental/TL)	QTY	REMARKS
2	1094200-006000	ZT310-X black rear wheel 5.0 (5.0×17)	1	
3	1100100-205000	ZT310—R rear disc brake plate (200×4.5)	1	
4	1251100-117093	Non standard hex socket bolt M8×25	5	
5	1274100-054000	ABS9 gear ring	1	
6	1250104-006097	GB16674M6×12 (chromed/HH)	3	
7	1230200-006000	HJ100—D tire valve cap	1	
8	1230100-047000	HJ125—3A environmental tubeless tire valve	1	

## PROCEDURE:

## ● Disc brake plate, ABS gear ring

Disassemble bolt(6) with socket sleeve. Then take down the ABS gear ring(5). Use hex socket tool to disassemble bolt(4) and then take off disc brake plate(3).

## ● Tire and rim assembly

Disassemble tire valve cap(7). Deflate the tire with tools. Then disassemble the rear tire(1) with professional tire changing machine. Disassemble the tire valve(8) with suitable tool.

## ● Maintenance

**Tire:** Check regularly the tire on cracks and air pressure. If the tire is ware to the marker, change the tire with same specification. See details in user manual. Ingradient of tire include semi hot melt rubber. Area with too high temperature is not suitable. If temperature of outdoor is too low, storing the motorcycle in warm place or indoor is suggested in order to avoid frost crack. Normal temperature standard 250kPa.

**Rim:** Check if the rim has deformation or crack. Support the rim horizontally and check if it can rotate smoothly. Specification of oil seal on rear rim is  $\phi 47 \times \phi 28 \times 7$ . Bearing type: 6204-2RS.

**Disc brake plate:** Thickness can not be less than 4mm. If not, change it.

## CAUTION:

● Be careful while disassembling the tire and rim in case of damages on the components.

● After changing the tire, check air proof performance and dynamic balance.

● Disqualified tire repair liquid might corrode the rim and cause safety risk.

● Not enough tire pressure can cause abnormal wear and tare. Too high pressure in summer might have possibility of tire bursting.

● It needs running-in for about 300km after changing new rear disc brake plate. During this period, leave enough braking distance while riging.

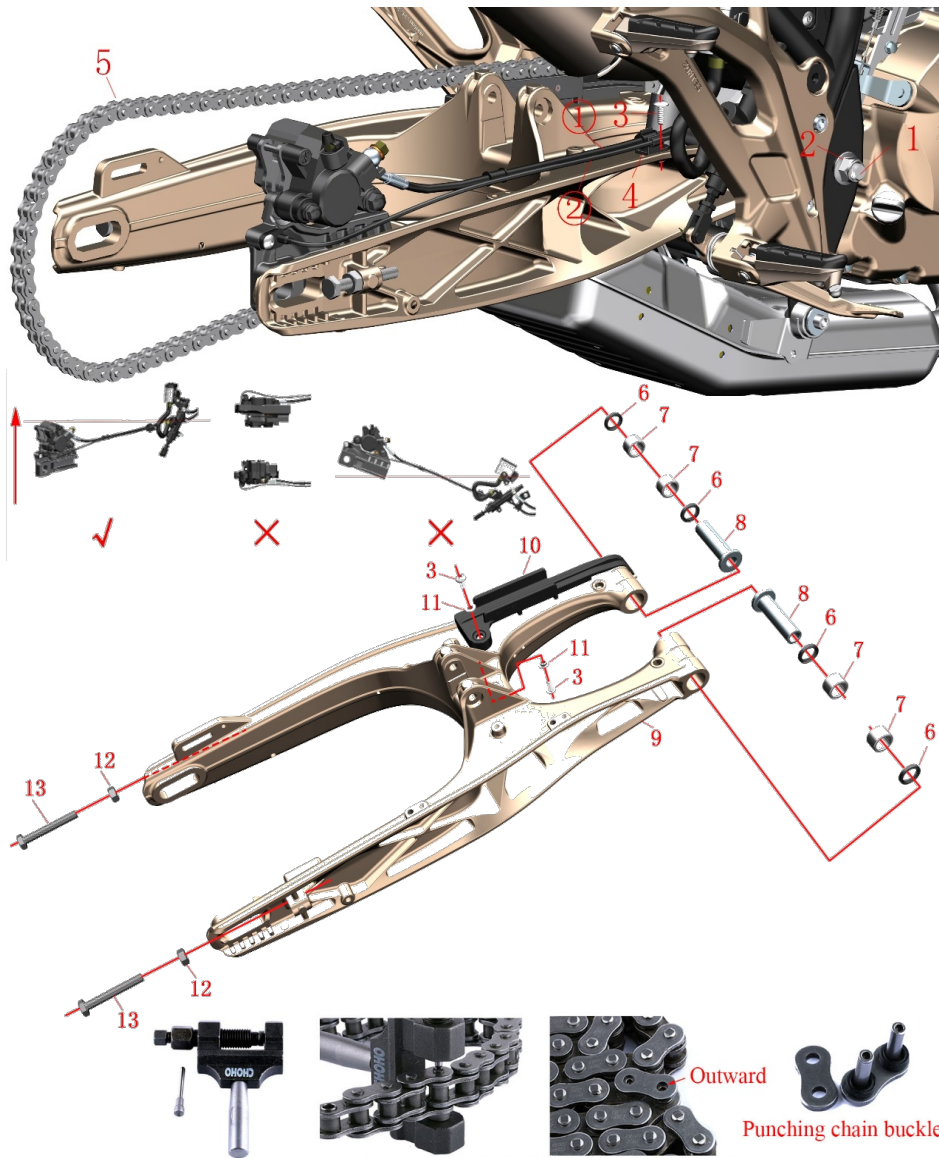


Fig.5 Rear wheel, swinging arm assembly		Rear swinging arm component		CHK	⚠
				ADJ	
NO.	PART NO.	PART NAME		QTY	CAUTION
1	1252200-016093	125 rear swinging arm axle nut 14×1.5 (DACROMET)		1	
2	1251300-059093	250 rear swinging arm axle 14×310 (DACROMET)		1	
3	1251100-102000	Non standard bolt M6×16 (stainless steel)		3	
4	1224200-003000	ZT310-Z rear disc brake oil tube cleat		1	
5	1080200-032000	ZT250-R 114 chain (CHOHO520HX)		1	【1】
	1080200-055000	ZT250-R 114 chain (CHOHO520HX/Open type)			
6	1104100-005000	ZT250-S oil seal TC20×26×4		4	After sales only
7	1094100-001000	ZT250-S needle bearing (HK2016)		4	After sales only
8	1274100-009000	ZT250-S rear swinging arm axle sleeve		2	
9	4024100-024000	ZT250 aluminum rear swinging arm component		1	
10	1244100-066000	ZT310-Z abrasion proof block of rear swinging arm		1	
11	1274100-057095	Bush φ6.2×φ8.5×3.5+φ14×1.5		2	
12	1251300-050000	ZT310-Z Chain adjuster nut M10		2	
13	1251100-105000	ZT310-Z Chain adjuster bolt M10×70		2	

## PROCEDURE:

## ●Rear swinging arm assembly

Pull out disc brake oil tube①, wheel speed sensor② from disc brake oil tube cleat(4). Disassemble bolt(3) with hex socket tool. Take off disc brake oil tube cleat.

Well place the rear disc brake clamp not higher than the disc brake oil cup. See the left lower photo.

Person 1 hold the head of rear swinging arm axle(1) with socket sleeve. Person 2 disassemble nut(2) with socket sleeve. Person 1 hold the rear swinging arm assembly. Person 2 take off rear swinging arm after disassembling rear swinging arm axle(1) with suitable tool.

## ●Abrasionproof block of rear swinging arm

Disassemble bolt(3), bush(11) with hex socket tool. Take off the abrasion proof block. Disassemble chain adjuster bolt(12), nut(1) with open spanner. Push the rear swinging arm axle sleeve(8) and take it off.

Oil seal(6), needle bearing(7) are interference fit assembling. Be sure you are capable to disassemble and reassemble before manipulation. The aluminum rear swinging arm assembly(9) has been included (6)、(7) .

## CAUTION:

●Disassemble rear shock absorber, rear inner mudguard, rear wheel assemble, side cover seat before hand.

●Using iron hammer to punch rear swinging arm axle is prohibited.

●While disassembling the rear wheel assemble, avoid the rear disc brake clamp to be lifted higher than the disc brake oil cup. If not, air will get into the tubes and cause softness or failure on braking system. As disc brake tubes request extremely high vacuum degree. Make sure manipulator has maintenance ability before disassembling the disc brake assembly.

●【1】 The original car is equipped with a chain without an opening, and the open type is convenient for after-sales replacement of the chain. A special chain installation tool is required. This chain does not contain tools and must be purchased separately.

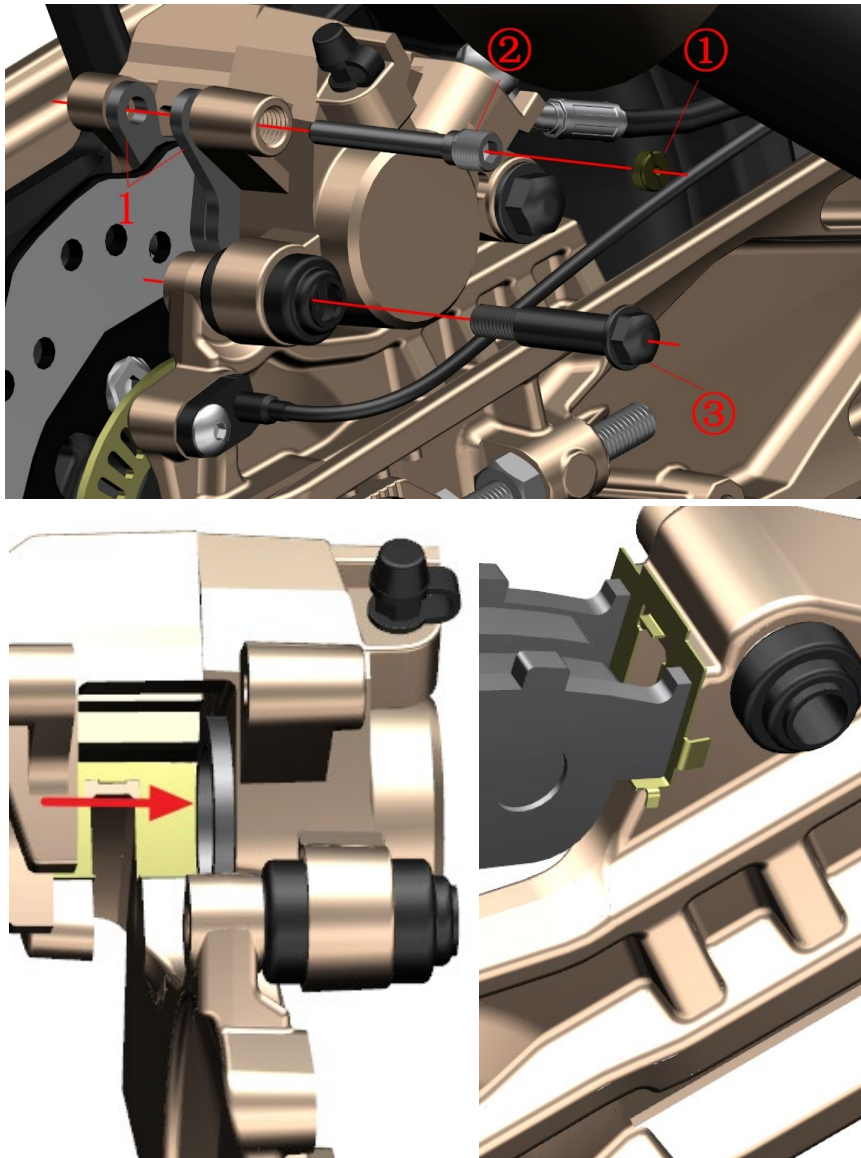


Fig.6 Rear wheel, swinging arm assembly		Change rear brake arresters	CHK	
			ADJ	
NO.	PART NO.	PART NAME	QTY	CAUTION
1	1100100-092000	ZT250—S rear disc brake arrester(HS10)	1	

## PROCEDURE:

## ● Disassemble disc brake arrester

- Use strait screwdriver to disassemble nut①.
- Disassemble pin axle② with hex socket tool.
- Disassemble rolling axle③ with socket sleeve.
- Take off rear disc brake arrester①.

## ● Change rear disc brake arrester

- Put the piston of clamp towards the direction of arrow to the end. See photo left below. To reduce resistance, you can disassemble the cross bolt on rear disc brake main pump oil cup. Take off the top cover and sealing gasket. Remember to rebound the pister afterwards.
- The new arrester must fit tightly the slot. See photo right below.
- Tighten the pin axle② with hex socket tool.
- Tighten rolling axle③ with socket sleeve.
- Tighten nut① with strait screwdriver.
- Step on braking pedal several times until braking force is recovered.

## CAUTION:

- Check regularly the arrester and disc brake plate status.
- To change arresters in qualified mainenance spot are suggested.
- After changing the arrester, adjust the height of braking pedal according to "Foot pedal, gear shift rod assembly" if necessary.
- It needs running-in for about 300km after changing new arresters. During this period, leave enough braking distance while riging.

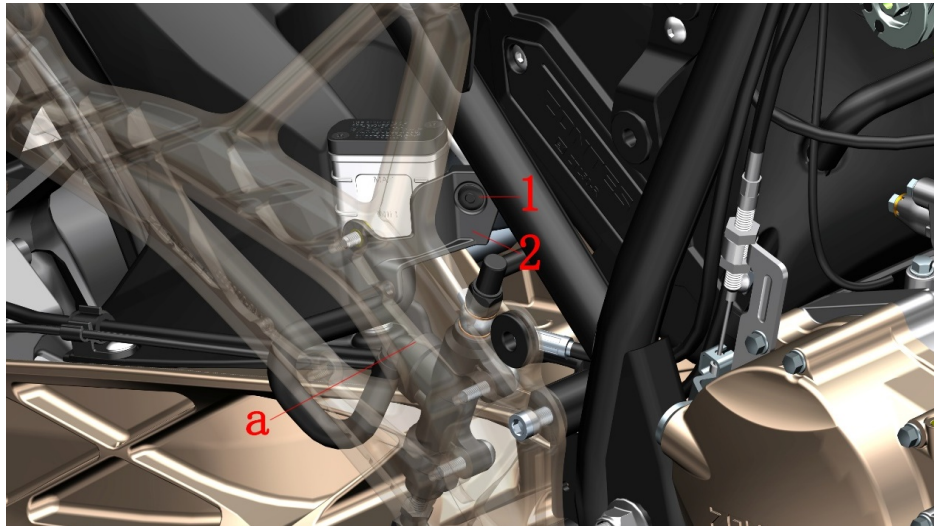


Fig.7 Rear wheel, swinging arm assembly		Rear disc brake main pump adding braking liquid	CHK	
			ADJ	
NO.	PART NO.	PART NAME	QTY	CAUTION
1	1224100-010000	ZT250—S Expanding bolt	1	
2	1224200-055000	ZT310—R rear disc brake oil cup holder	1	

## PROCEDURE:

- Add disc brake liquid
  - Press down the middle part of expanding bolt(1) with a small cross screwdriver. Take off the expanding bolt. See photo③ on the left.
  - Pull out the oil cup; Should always remain above the oil tube interface "a", parallel to the ground. Avoid braking failure caused by air getting into the oil circulation.
  - Disassemble bolt④ with cross screwdriver.
  - Take off oil cup cap⑤, sealing gasket⑥.
  - Keep the top of oil cup⑦ parallel to the ground. Add DOT4 braking liquid. Ensure the liquid level is between "UPPER" and "LOWER".
  - While reassemble, pay attention install sealing gasket⑥ in correct position and direction.
  - Step gently on the pedal constantly. Do not ride the motorcycle until the braking force is recovered.



## CAUTION:

- Support the motorcycle well on flat ground before checking.
- Check regularly if the braking liquid surface is between "UPPER" and "LOWER".
- If liquid surface is below "LOWER", check the arrester status and confirm if the braking system is leaking.
- If the braking liquid is accidentally swallowed, contact intoxication center or hospital immediately. If it gets into the eye, wash it away with clean water then see the doctor.
- Keep the braking liquid far away from children and pets.
- Flush the oil cup directly with high pressure water is prohibited.
- Mixing water, dust, impurity and liquid of silicic acid or petrol series into the braking liquid is prohibited. Otherwise, the braking system would be damaged.
- Expanding bolt: Fig① not installed; Fig② installed; Fig③ disassembled.

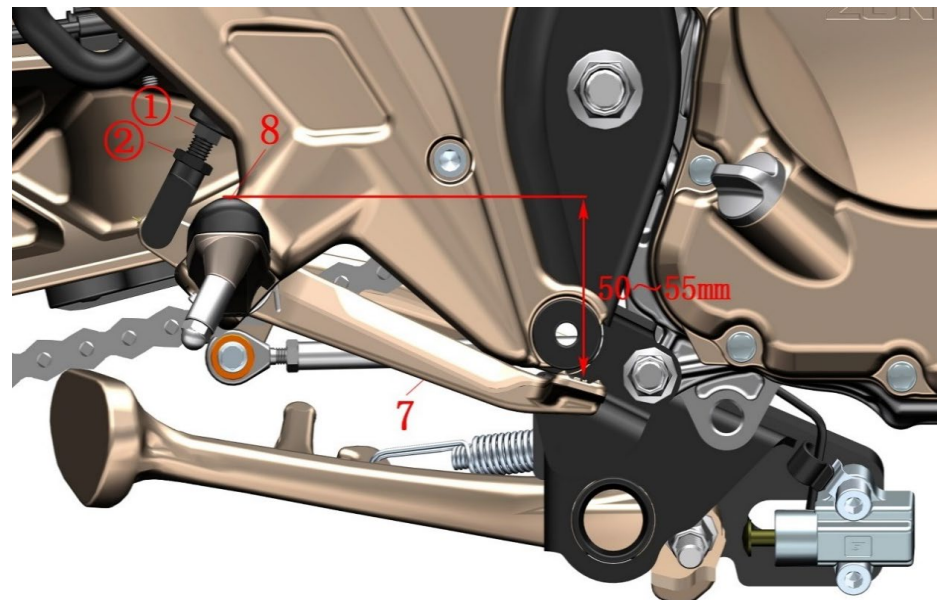
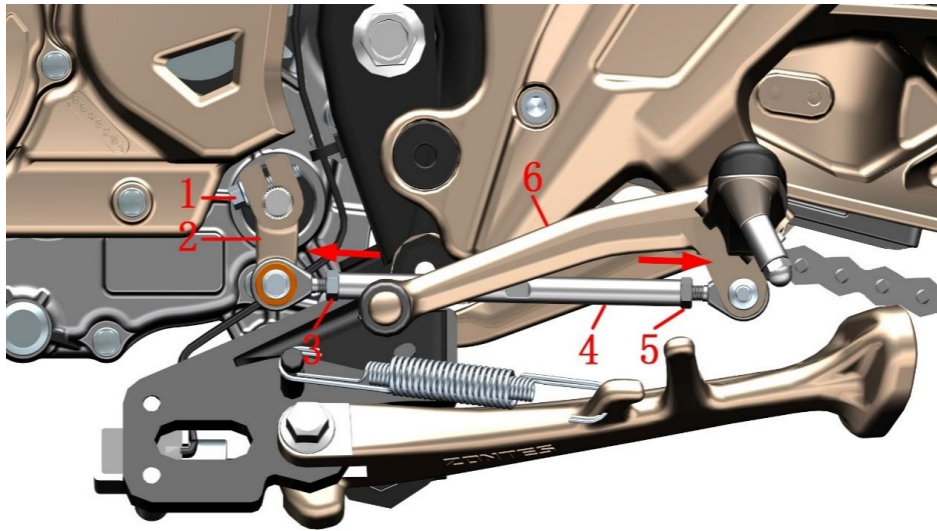


Fig.1 FOOT PEDAL COMPONENT		Adjust the hight of foot pedal		CHK	⚠
				ADJ	
NO.	PART NO.	PART NAME		QTY	CAUTION
1	1251100-061093	M6×22 Hexagon flange bolt 8.8 degree		1	
2	1274100-039000	ZT250—S Gear swift rod spline of Rocker arm		1	
3	1250301-020093	GB6170M6 (environmental color-zinc)		1	
4	1274200-003000	ZT310—R Gear shift rod adjustment bolt φ10×130		1	
5	1250301-018093	GB6170M6—LH (environmental color-zinc)		1	
6	1274200-160000	ZT310—T rocker arm, gear shift rod		1	
7	1274200-010000	ZT310—R brake pedal		1	
8	1274200-185000	ZT310—X R, front pedal component (improved)		1	<b>【1】</b>
	1274200-059000	ZT310—X R, front pedal component			New with tape
	1274200-020000	ZT310—R R, front pedal			Old without tape

PROCEDURE:

● Adjust the height of gear shift rod

Follow the direction of arrow and loosen Nut(3), Nut(5) with an open spanner. Use 8# open spanner to adjust the gear shift rod adjustment bolt until the height becomes suitable. Then tighten the nuts. If the above-mentioned method can not adjust the gear shift rod to a satisfying position, take off bolt(1) and adjust gear shift rod spline of rocker arm(2) with a straight screwdriver by shoving a little bit the groove in the middle while dragging it out. Reassemble after the height is suitable. Pay attention to the aligning of the groove in the middle.

● Adjust the height of brake pedal

Follow the direction of arrow and loosen Nut(2). Spin the adjustment rod bolt(1) and adjust the brake pedal(7) to 50~55mm below the top part(8). Fix the adjustment rod bolt(1) and tighten Nut(2).

CAUTION:

- Ensure the motorcycle is well supported during manipulation. Avoid falling accident.
- The height of gear shift rod should be adjusted to a suitable range. Otherwise the riding experience would be influenced.
- The height of brake pedal should be adjusted to a suitable range. Otherwise the duration of braking shoe and plate would be influenced. In severe case, ineffective braking is possible.
- Since March 11, 2019 switched to the improved models right front pedal.



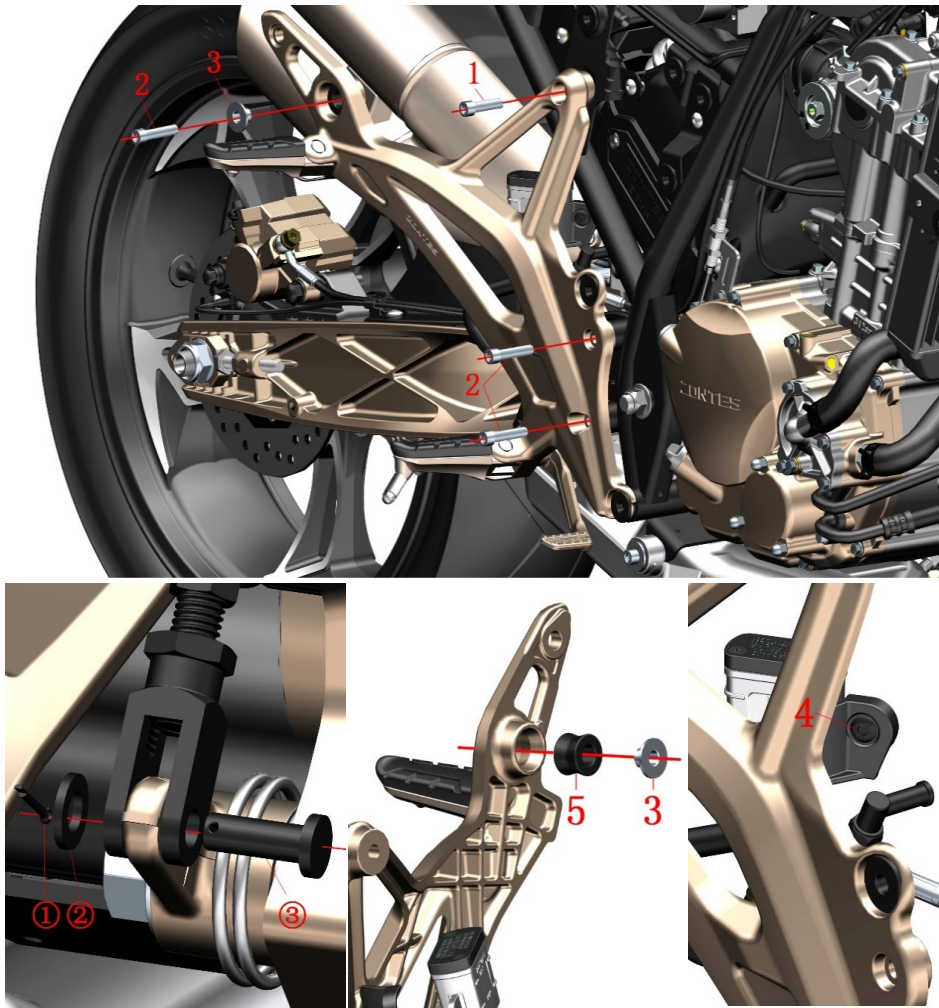



Fig.2 FOOT PEDAL COMPONENT		Right foot pedal holder assembly-1		CHK	
				ADJ	
NO.	PART NO.	PART NAME		QTY	CAUTION
1	1250205-034093	GB70.1 Hex socket bolt M8×30		1	
2	1250205-023000	GB70.1 Hex socket bolt M8×35		3	
3	1274100-068095	ZT310 Muffler bush		2	
4	1224100-010000	ZT250-S Expanding bolt		1	
5	1244100-064000	ZT310 Muffler gum cushion		1	

## PROCEDURE:

## ●Right Foot pedal component

Use a plier to disassemble the pin①. Then take off the washer② and pin③.

Fix the position of rear part of muffler and disassemble the bolt② behind the foot pedal holder and take off the bush③.

Take off the bolts① & ② in the front.

Overturn and take off the bush③ and gum cushion⑤.

Disassemble the expanding bolt④.

## CAUTION:

- While overturning the foot pedal holder, keep the components nearby well protected in case they are scratched.
- Mind the disc brake oil tube while overturning the holder.
- Support the motorcycle properly while disassembling in case it falls down.
- Rear disc brake oil cup can not be lower than oil tube interface of main pump.



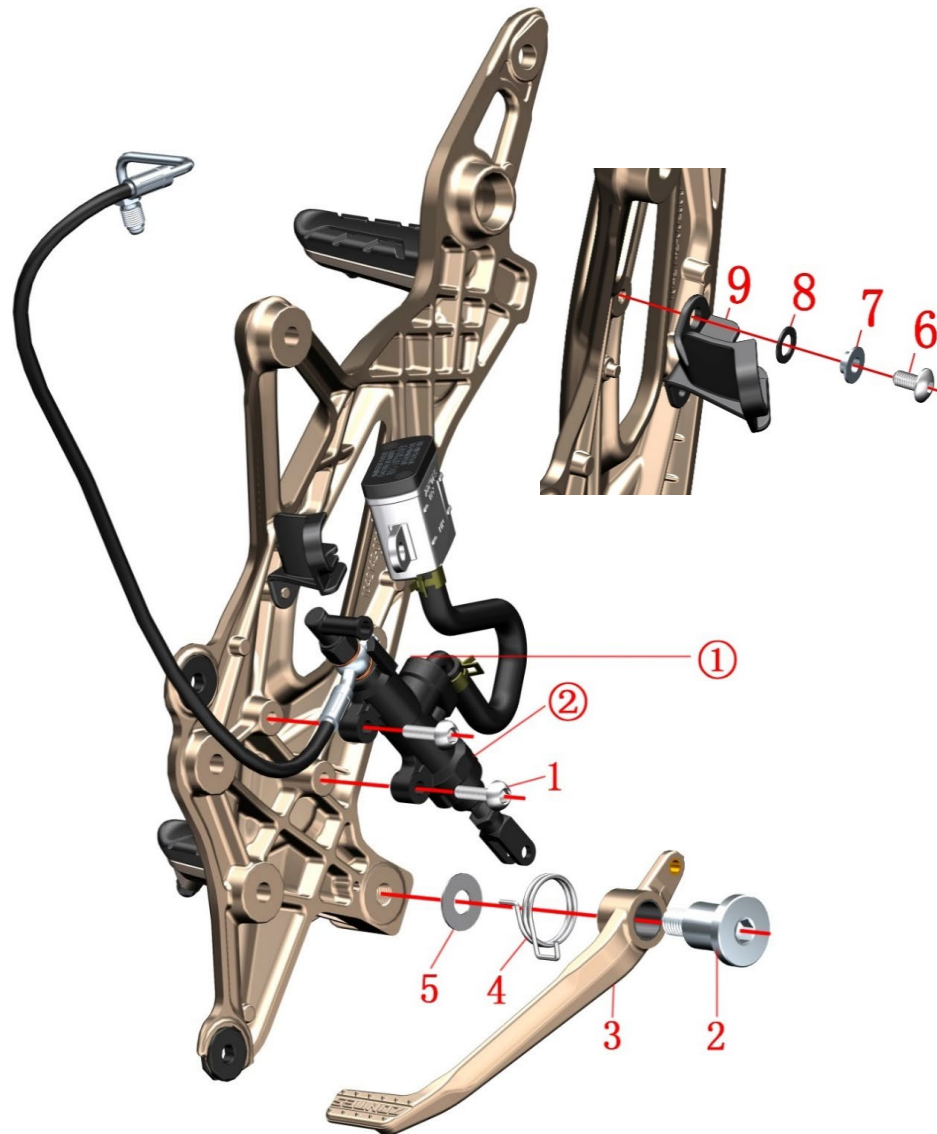


Fig.3 FOOT PEDAL COMPONENT		Right foot pedal holder assmeby-2	CHK	CAUTION
			ADJ	
NO.	PART NO.	PART NAME	QTY	
1	1251100-121093	Non standard bolt M6×25 (environmental color-zinc)	2	
2	1251100-131000	Non standard bolt M10×1.5×36	1	
3	1274200-010000	ZT310—R brake pedal	1	
4	1260100-119093	ZT310—R brake pedal spring	1	
5	1251500-060095	Non standard washer φ10.5×φ26×1	1	
6	1251100-101000	Non-standard bolt M6×12 (304 stainless steel)	1	
7	1274100-057095	Bush φ6.2×φ8.4×3.5+φ14×1.5	1	
8	1244100-052000	Gum cushion, bush (φ8.5×φ14×1)	1	
9	1224200-055000	ZT310-R rear disc brake oil cup holder	1	

## PROCEDURE:

- Rear disc brake pump assembly  
Disassemble bolt(1); Rear disc brake oil cup can never be lower than oil tube interface① of main pump②.
- Brake pedal assembly  
Disassemble bolt(2); pull out brake pedal(3); take off brake pedal spring(4) & washer(5).
- Rear disc brake oil cup holder  
Disassemble bolt(6), take off bush(7)、gum cushion,bush(8)、oil cup holder(9).

## CAUTION:

- Applying lubrication on inner surface of brake pedal bush can reduce resistance on brake pedal.
- While reassembling, remember to insert the spring into spacing hole of foot pedal holder.
- Support the motorcycle properly while disassembling in case it falls down.
- Place properly the disc brake oil cup and main pump. Avoid the air on top of oil cup getting into the tubes of disc brake.

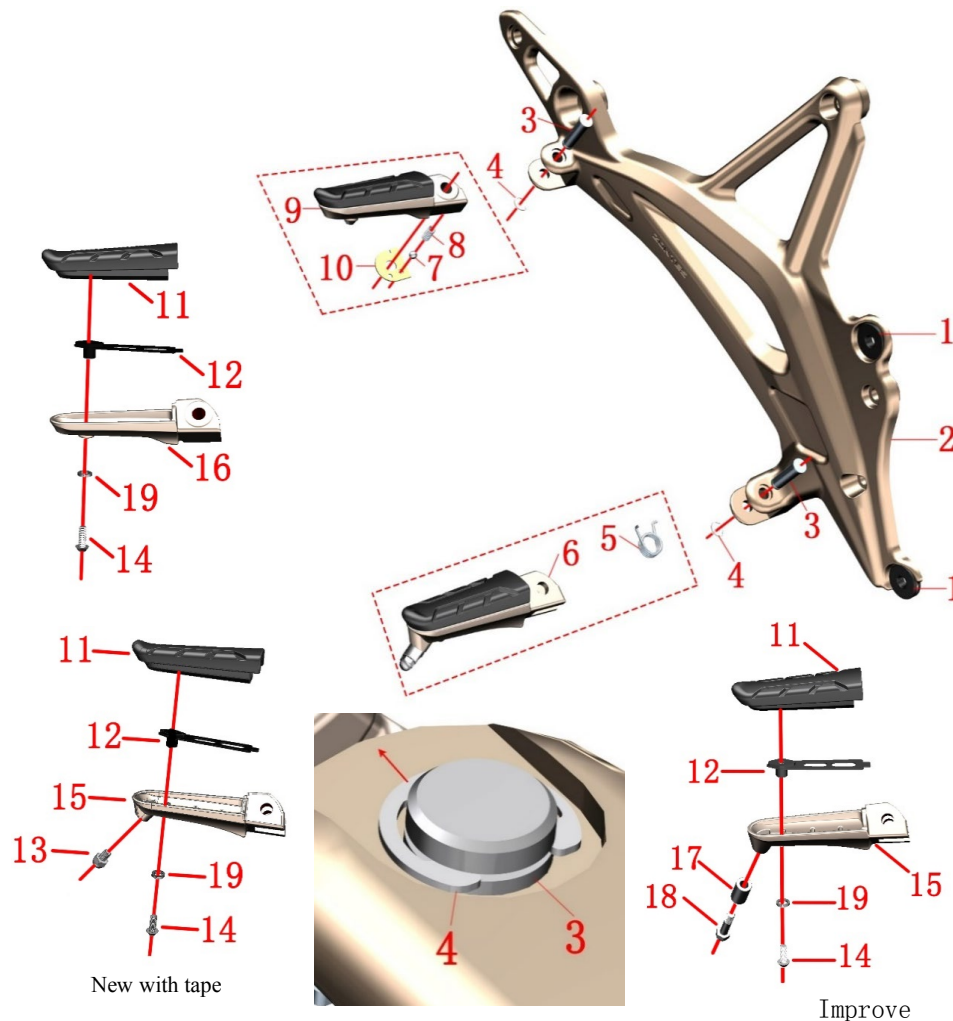


Fig.4 FOOT PEDAL COMPONENT		Right foot pedal holder assmebly-3	CHK	CAUTION
			ADJ	
NO.	PART NO.	PART NAME	QTY	
1	1244100-002000	ZT250—S side cover round gum cushion	2	
2		R, foot pedal holder	1	
3		Foot pedal pin axle	2	
4	1264100-006000	ZT250—S foot pedal spring	2	
5	1264100-004000	ZT250—S R, front pedal spring	1	
6		R, front pedal component	1	
7	1274100-010000	ZT250—S Rear pedal steel ball	1	
8	1264100-005000	ZT250—S Pedal steel ball spring	1	
9		R, rear pedal component	1	
10	1270300-272000	KD250—F Rear pedal positioning plate	1	
11	1244200-024000	ZT310—X Foot pedal rubber	2	After sales parts for pedal with rubber
12	1274200-051000	ZT310—X Foot pedal rubber positioning plate	2	
13	1251100-167000	Non standard ball head bolt M6×8	1	
14	1250205-038000	GB70.2M5×12 (stainless steel)	2	
15	1032142-042000	ZT310—X R, front pedal	1	
16	1032142-039000	ZT310—X R, rear pedal	1	
17	1251700-134000	BushingΦ12×Φ6×19(chromed)	1	
18	1251100-224000	Non standard ball head bolt M6×26	1	
19	1250501-010000	GB93φ6 spring washer□	2	

PROCEDURE:

- R, front pedal  
Disassemble circlip(4). Take off foot pedal pin axle(3). Then disassemble R, front pedal(6), foot pedal spring(5).
  - R, rear pedal  
Disassemble circlip(4). Take off foot pedal pin axle(3). Then pull out R, rear pedal(9).Take down positioning plate(10), steel ball(7), spring(8).
  - Foot pedal holder  
Disassemble side cover round gum cushion(1).
  - After sales parts for new pedal with rubber  
Hold tightly the pedal. Disassemble bolt(13) with ring spanner. Or disassemble bolt(18)then take off bushing (17).Disassemble bolt(14) with hex socket tool.Take off spring washer (19). Take off rubber(11), positioning plate(12). Only front pedal needs bolt(13). Foot pedal rubber(11), positioning plate(12), bolt(14),spring washer (19) are in common use.Each part use 1 piece for after sales purpose.
- Note: Since March 2020, the front and rear right pedals need to be added with a spring washer (19).

CAUTION:

- Old type full aluminum foot pedal are for after sales service of products manufactured in early batches. To use new type foot pedal with rubber is suggested because it can absorb more vibration.

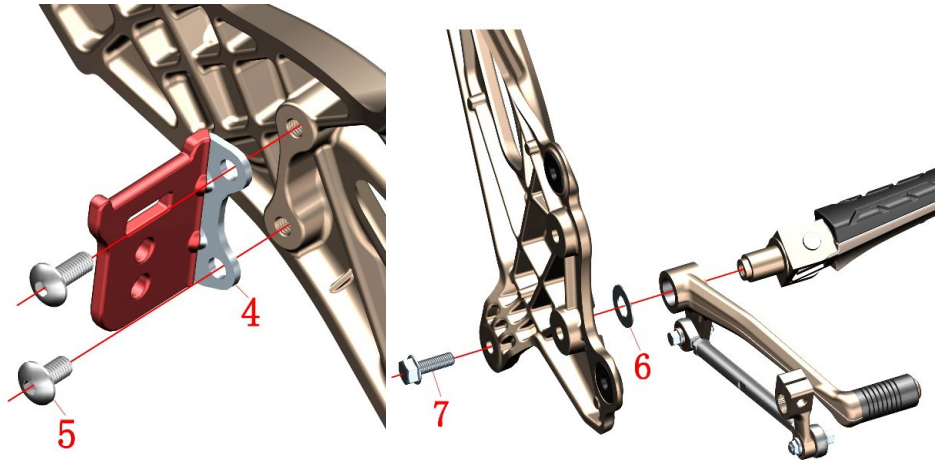
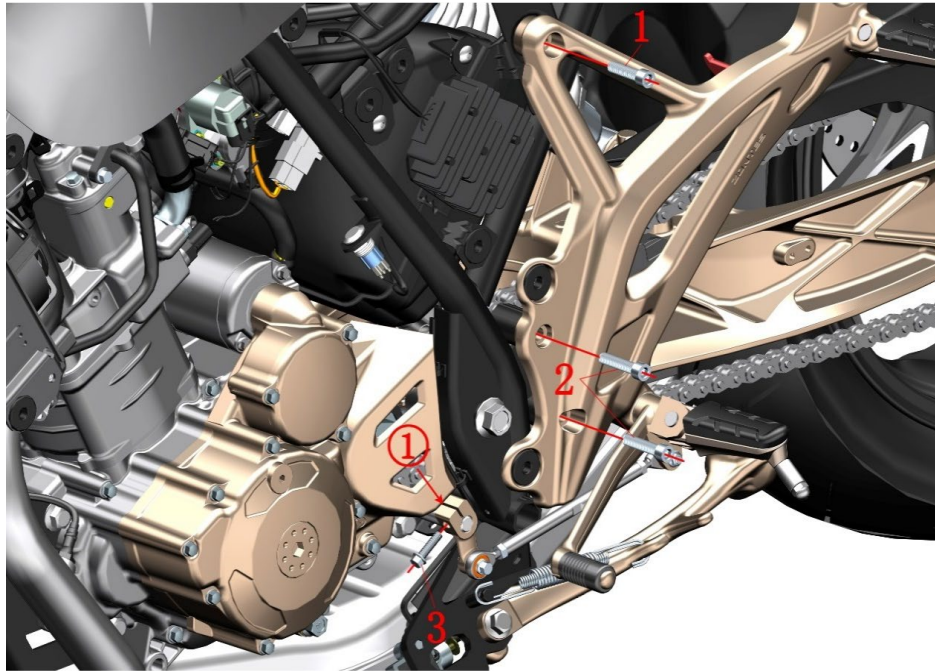


Fig.5 FOOT PEDAL COMPONENT		L, foot pedal holder component-1	CHK	⚠
			ADJ	
NO.	PART NO.	PART NAME	QTY	CAUTION
1	1250205-034093	GB70.1 Hex socket M8×30 (environmental color-zinc)	1	
2	1250205-023000	GB70.1 Hex socket M8×35 (environmental color-zinc)	2	
3	1251100-061093	M6×22Hexagon flange bolt 8.8 degree	1	
4	1274200-037000	ZT310-R disc brake lock holder	1	
5	1251100-101000	Non-standard boltM6×12 (304 stanless steel)	2	
6		Foot pedal holder washer	1	
7	1251100-123093	Non-standard bolt M8×25 (environmental color-zinc)	1	
	1250105-278093	GB5789 M10×1.25×25(10.9/environmental color-zinc)		

## PROCEDURE:

## ●L, foot pedal holder assembly

Disassemble bolt(3) with ring spanner. Insert strait screwdriver into slot① and open a little bit the spline rocker arm while pulling it out from gear shift axle of engine.

Disassemble bolt(1), bolt(2)with hex socket tool. Take off left foot pedal holder assembly.

## ●Disc brake lock holder

Turn over to the back side. Disassemble bolt(5) with hex socket tool. Take off disc brake lock holder(4).

## ●Gear shift rod assembly

Disassemble bolt(7). Separate left foot pedal component and gear shift rod assembly from left foot pedal holder assembly. Take off foot pedal holder washer(6).

## CAUTION:

- Support the motorcycle properly while disassembling in case it falls down.
- Pay attention to the alignment of foot pedal holder washer and the lug boss while reassembling.
- Applying lubrication to the surface of cylinder of foot pedal holder can reduce resistance on gear shift rod.

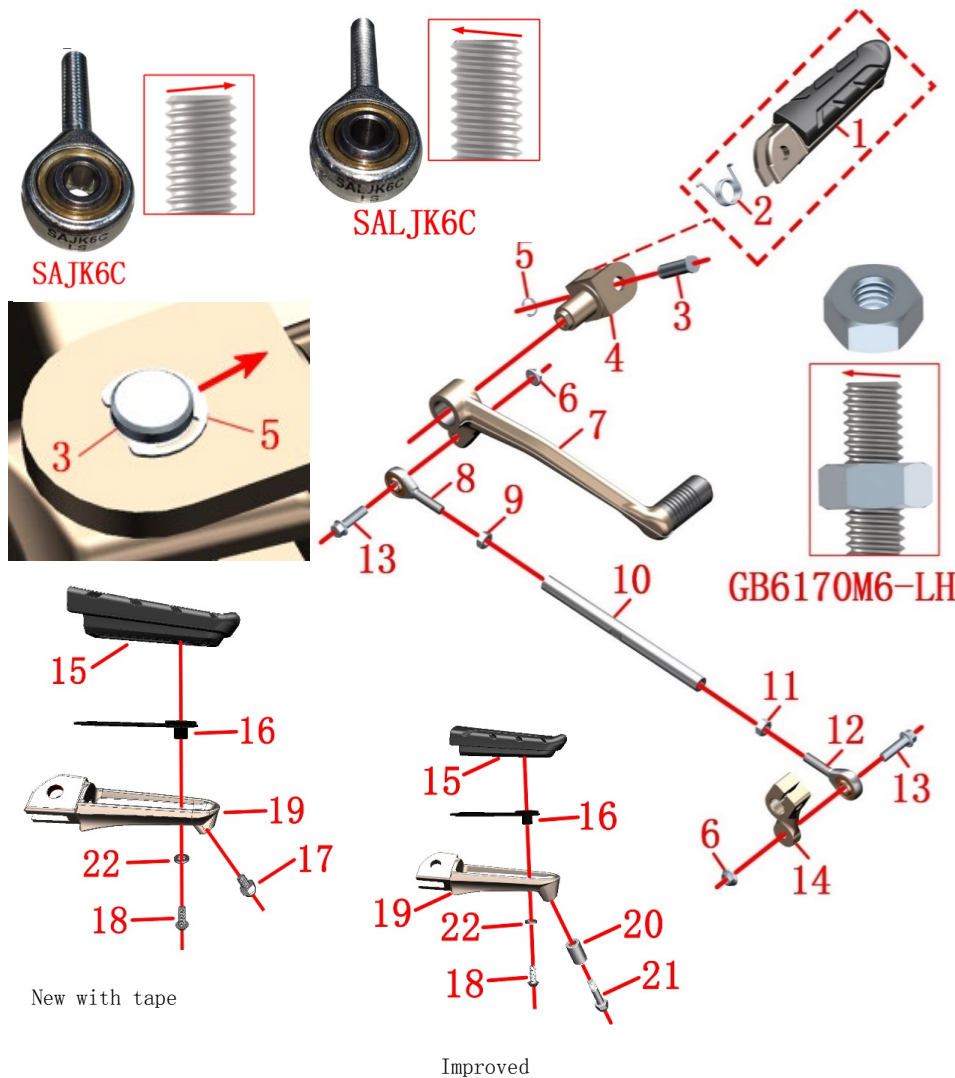


Fig.6 FOOT PEDAL COMPONENT		L, foot pedal holder component-2	CHK	CAUTION
NO.	PART NO.	PART NAME	ADJ	
1		L, front pedal component	1	After sales parts for pedal with rubber
2	1264100-003000	ZT250—S L, front pedal spring	1	
3	1264100-006000	ZT250—S Pedal axis pin	1	
4		Foot pedal holder	1	
5	1274100-012000	ZT250—S Foot pedal circlip	1	
6	1250303-010093	GB6177.1M6 (environmental color-zinc)	2	
7	1274200-160000	ZT310—T rocker arm, gear shift rod	1	
8	1274100-043000	Knuckle Bearing SALJK6C	1	
9	1250301-018093	GB6170M6—LH (environmental color-zinc)	1	
10	1274200-003000	ZT310—R Gear shift rod adjusting bolt φ10×130	1	
11	1250301-020093	GB6170M6 (environmental color-zinc)	1	
12	1274100-042000	Knuckle Bearing SAJK6C	1	
13	1251100-061093	M6×22 Hexagone flange bolt 8.8 degree	2	
14	1274100-039000	ZT250—S Gear shift rod spline rocker arm	1	
15	1244200-024000	ZT310—X Foot pedal rubber	1	
16	1274200-051000	ZT310—X Foot pedal rubber positioning plate	1	
17	1251100-167000	Non standard ball head bolt M6×8	1	
18	1250205-038000	GB70.2M5×12 (Stainless steel)	1	
19	1032142-041000	ZT310—X L, front pedal	1	
20	1251700-134000	BushingΦ12×Φ6×19(chromed)	1	
21	1251100-224000	Non standard ball head bolt M6×26	1	
22	1250501-010000	GB93φ6 spring washer	1	

PROCEDURE:

- L, Foot pedal component  
Disassemble circlip(5). Take off foot pedal pin axle(3). Take off L, foot pedal(1), foot pedal spring(2) from foot pedal holder(4).
- Gear shift rod assembly  
Disassemble on both sides nut(6) and bolt(13) with ring spanner. Disassemble gear shift rod rocker arm(7), spline rocker arm(4). Loosen nut(9)&(11) with open spanner. Take off adjusting rod(10). Separate bearing (8)&(12).
- Foot pedal with rubber for after sales service  
Hold the L, front pedal tightly. Disassemble bolt(17) with ring spanner. Or disassemble bolt(21) then take off bushing(20). Then take off bolt(18) with hex socket tool. Take off spring washer (22), Take off rubber(15), positioning plate(16).

Note: Since March 2020, the L, front pedal needs to be added with a spring washer (22).

CAUTION:

- Applying lubrication to the surface of cylinder of foot pedal holder can reduce resistance on gear shift rod.

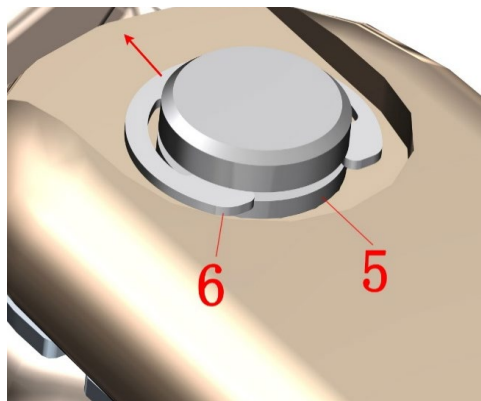
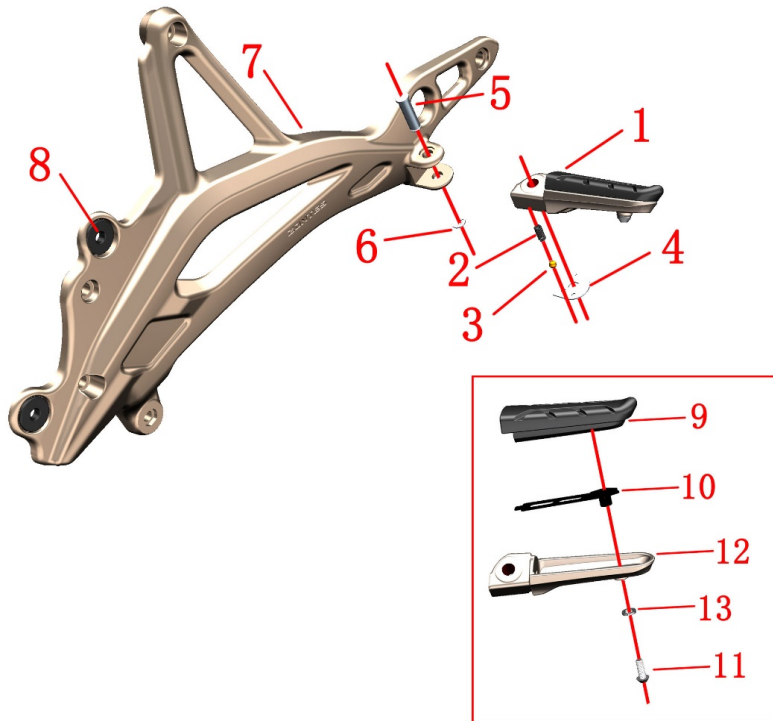


Fig.7 FOOT PEDAL COMPONENT		L, foot pedal holder component-3	CHK	⚠
			ADJ	
NO.	PART NO.	PART NAME	QTY	CAUTION
1		L, rear foot pedal component	1	
2	1264100-005000	ZT250—S foot pedal steel ball spring	1	
3	1274100-010000	ZT250—S rear foot pedal steel ball	1	
4	1270300-272000	KD250—F rear foot pedal positioning plate	1	
5		Foot pedal pin axle	1	
6	1264100-006000	ZT250—S Foot pedal circlip	1	
7		L, foot pedal holder	1	
8	1244100-002000	ZT250—S side cover round gum cushion	2	
9	1244200-024000	ZT310—X Foot pedal rubber	1	After sales parts for new pedal with tape
10	1274200-051000	ZT310—X Foot pedal rubber positioning plate	1	
11	1250205-038000	GB70.2M5×12 (stainless steel)	1	
12	1032142-040000	ZT310—X L,rear foot pedal	1	
13	1250501-010000	GB93φ6 spring washer□	1	

## PROCEDURE:

## ●L, rear foot pedal

Disassemble circlip(6) with a tool. Take off foot pedal pin axle(5). Then pull out L, rear foot pedal(1). Take off positioning plate(4), steel ball(3), spring(2).

## ●Foot pedal holder

Disassemble side cover gum cushion(8).

## ●After sales parts of foot pedal with rubber

Hold the L, rear foot pedal(12) tightly, use hex socket tool to disassemble bolt(11), Take off spring washer (13). Take off rubber(9) and positioning plate(10).

Note: Since March 2020, the L, rear foot pedal needs to be added with a spring washer (13).

## CAUTION:

●Old type full aluminum foot pedal are for after sales service of products manufactured in early batches. To use new type foot pedal with rubber is suggested because it can absorb more vibration.

●Ensure correct installation when exchanging after sales components of the pedal with rubber.

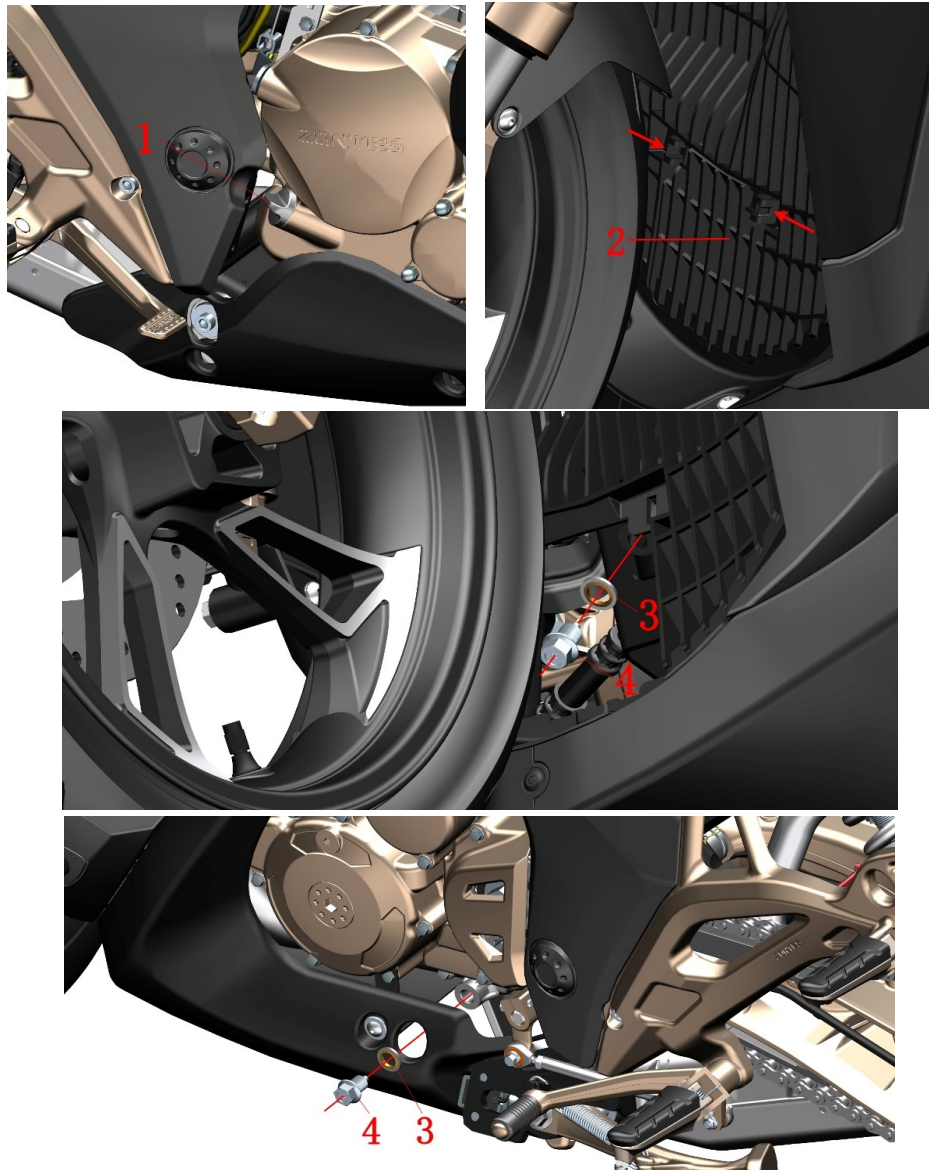


Fig.1 COOLING SYSTEM COMPONENT		Change engine oil	CHK	
NO.	PART NO.		ADJ	
1	1050854-002000	ZT180MN Engine oil level gauge	1	
2	1224200-048000	ZT310—X The middle cover of surrounded parts	1	
3	1244100-033000	12×φ20×2 Sealing gasket	2	
4	1251100-066093	M12×1.5×15 Oil draining bolt (color zinc)	2	24±4N.m

#### PROCEDURE:

##### ● Drain off the engine oil

Park the motorcycle with side stand on flat ground.

Rotate the engine oil level gauge(1) anticlockwise and take it out. Press the latch in the direction of the arrow and take the middle cover (2) out .

Disassemble the engine air guider before draining the engine oil is suggested. Otherwise, use a tool to guide the oil in case it contaminate the plastic covers.

Place holders to collect engine oil under draining bolt on the chassis (see left bottom photo) and draining bolt on the engine (see left middle photo).

Disassemble draining bolts(4) on the chassis and the engine. Take off sealing gasket(3). Drain thoroughly the engine oil.

Wipe off the dirty oil with clean nonwovens. Be sure that the surface of oil draining bolt and sealing gasket are not scratched and has no impurity before reassembling. Torque on bolt is 24±4N.m. Too strong will damage the thread. Too weak will cause leakage of oil.

Add from opening on right crankcase of engine 1.6L ( 1.7L if oil filter is changed) new engine oil of SAE 10W-50/10W-40 with API SM degree or higher. Then reassemble the engine oil gauge.

Start the engine and test it under different rotation speed for 2 minutes. Check if the engine oil leaks.

Run the engine at idling speed for 5 minutes than shut down the engine for 3 minutes. Check the engine oil level gauge. If oil level is lower than minimum mark, add more engine oil until liquid surface reaches maximum mark. Follow the steps above-mentioned and check again if engine oil leaks.

#### CAUTION:

● Disassembling the cooling system while the motorcycle is hot is prohibited. Wait until the engine and muffler cool down thoroughly for the manipulation.

● Wasted engine oil should be collected and hand over to qualified facilities for further treatment. Do not pour the oil anywhere and avoid pollution of environment and water source.

● Changing the draining bolt and sealing gasket every time when changing the engine oil is suggested.

● As the crankshaft connection rot has bearing bush, whild changing the engine oil, make sure the engine has at least 1L before starting the engine. If not, the bearing bush can be damaged or the crankshaft can be seized.

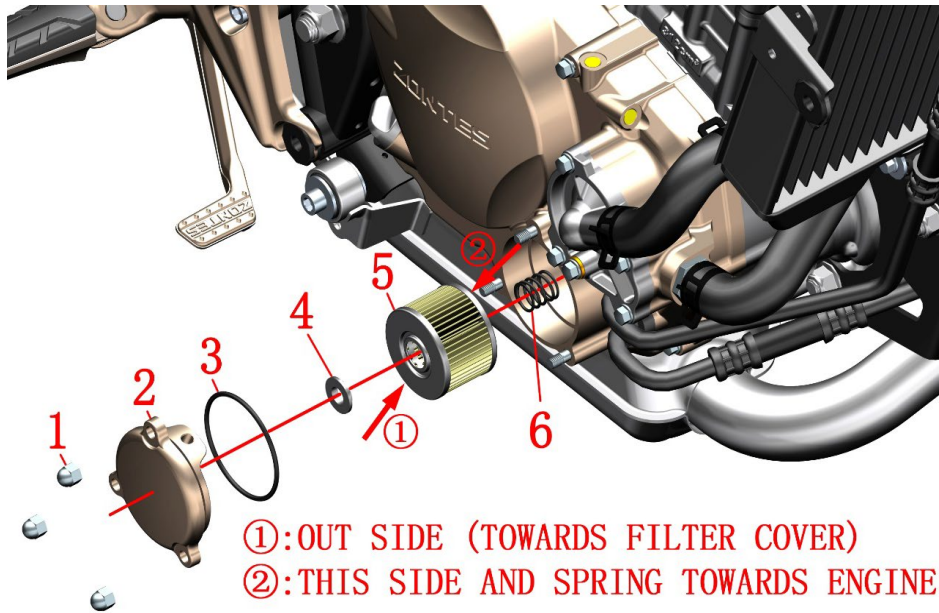


Fig.2 COOLING SYSTEM COMPONENT		Change engine oil filter	CHK	⚠
NO.	PART NO.	PART NAME	ADJ	
1	1251300-056093	M6 Cover type 9 degree nut	3	12±1.5N.m
2	4050954-002000	ZT180MN Engine oil refined filter cover (Titanium)	1	
3	1051454-004000	55×2.5 O-ring	1	after-sale
4	1051454-005000	ZT180MN Engine oil refined filter seal ring	1	
5	4134200-003000	ZT180 refined filter seal component	1	【1】
6	1050853-009000	Φ16.4×17×1.6 Spring for filter	1	

## PROCEDURE:

- Change engine oil filter
  - Disassemble the engine air guider before draining the engine oil is suggested. Otherwise, use a tool to guide the oil in case it contaminate the plastic covers.
  - Place holder to collect wasted engine oil under right crankcase cover.
  - Disassemble nut(1) with tool. Rotate slightly engine oil refined filter cover(2) and take it off when it is loosen.
  - Take off seal ring(4). Change engine oil filter(5).
  - Check if seal ring(3) is broken. Change the seal ring(3) along with engine oil filter is suggested.
  - When reassembling, pleas check carefully if the spring(6), seal ring(4) are well installed. Engine oil filter can not be turned over when assembling.
  - Torque of cover type nut(1) is 12±1.5N.m.

## CAUTION:

- Ensure every component is well assembled.
- To change engine oil filter and seal ring(3) at the same time is suggested.
- Engine oil filter can not be turned over when assembling.
- 【1】 The ZT180 refined filter seal component already included oil filter、55×2.5 O-ring(3) and ZT180MN Engine oil refined filter seal ring(4).

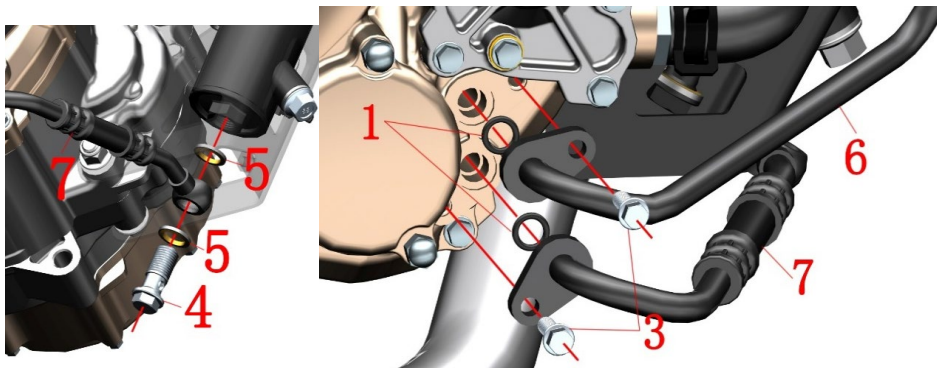
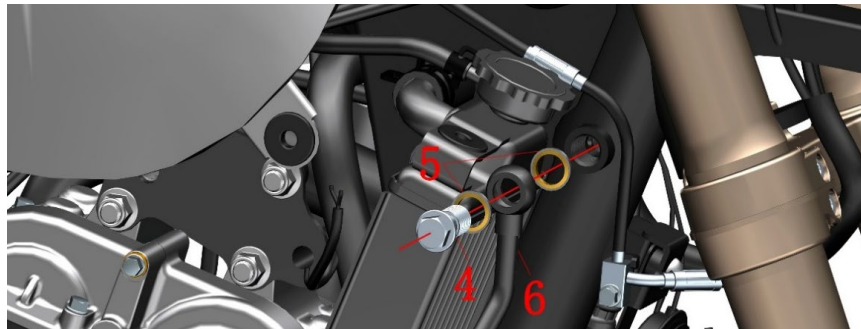
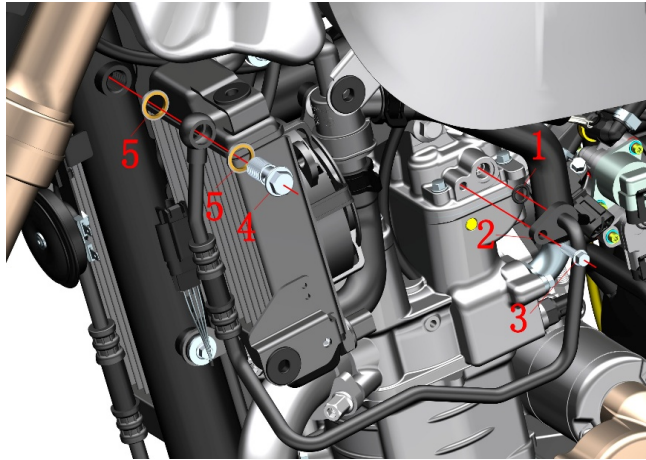


Fig.3 COOLING SYSTEM COMPONENT		Radiator tubing component	CHK	⚠
			ADJ	
NO.	PART NO.	PART NAME	QTY	CAUTION
1	1051454-014000	9.8×2.5 O-ring	3	
2	1244200-016000	ZT310-R Chassis connected oil tube	1	
3	1251100-061093	M6×22 Hex flange bolt (8.8 degree/environmental color zinc)	3	
4	1251100-089094	Oil passing bolt M14×1.50×32 (environmental color zinc)	3	
5	1244100-034000	Seal gasketφ14×φ20×2	6	
6	1244200-014000	ZT310-R Engine oil outlet tube	1	
7	1244200-015000	ZT310-R Engine oil intake tube	1	

## PROCEDURE:

- Chassis connected oil tube  
Disassemble oil passing bolt(4), seal gasket(5) with socket sleeve.  
Disassemble bolt(3) close to engine with socket sleeve. Disassemble chassis connected oil tube. Take off O-ring (1). See photo upper left.
- Engine oil outlet tube  
Disassemble oil passing bolt(4), seal gasket(5) with socket sleeve. See photo middle left.
- Engine oil intake tube  
Disassemble oil passing bolt(4), seal gasket(5) with socket sleeve. See photo left lower .  
Disassemble bolt(3) with socket sleeve. Take off engine oil outlet tube(6), engine oil intake tube(7); Take off O-ring(1). See photo right lower.

## CAUTION:

- Disassembling the cooling system while the motorcycle is hot is prohibited. Wait until the engine and muffler cool down thoroughly for the manipulation.
- Wasted engine oil should be collected and hand over to qualified facilities for further treatment. Do not pour the oil anywhere and avoid pollution of environment and water source.
- Do not disassemble the oil tube violently in case of deformation of bush.
- To avoid leakage, changing seal gasket and O-ring every time together with engine oil is suggested.
- Be sure to wipe the connecting surface with clean nonwoven before reassembling.



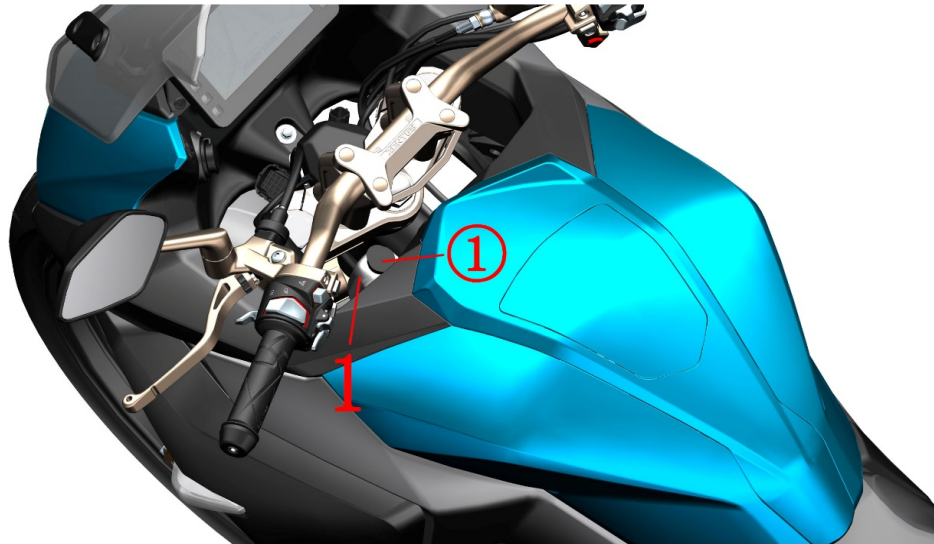


Fig.4 COOLING SYSTEM COMPONENT		Add coolant	CHK	
NO.	PART NO.		ADJ	
1	1224200-006000	ZT310—R sub cooling liquid tank	1	

#### PROCEDURE:

##### ● Add coolant

When the engine is completely cooled, the vehicle can be straightened to accurately check the liquid level. If it is lower than the L line, the coolant should be replenished in time. If the auxiliary tank has no or only a small amount of coolant, check the cooling system first, and remove the leak before adding it.

Park the vehicle with the side brackets; turn the direction to the right and turn to the bottom.

Open the lid① of the sub tank(1) and add a small amount of coolant each time with a funnel. It is appropriate to reach the position of the F line when the liquid level of the coolant is used to support the vehicle.

#### CAUTION:

- Check regularly the cooling liquid surface. It should never be lower than "L" line.
- Change cooling liquid every two years is suggested.
- Swallowing or inhaling cooling liquid would harm human body. Clean thoroughly the hands, face or exposing skin every time after adding cooling liquid. If cooling liquid is swalled by accident, please contact toxication center or hosipital. If it's inhaled, please move to open air. If it's spilt to the eye, clean it with big quantity of clean water and see doctor in time. Be sure the cooling liquid is far away from children or pets.
- Engine cooling liquid must be suitable for aluminum radiator. The basic should be glycol. Cooling liquid should be mixture of distilled water and concentrated cooling liquid under certain proportion. Be sure to choose cooling liquid which is suitable for your local extreamly low temperature. The freezing point should be lower than the local lowest temperature. Distilled water is the only kind of water acceptable. Other kind of water might cause corrosion to engine cooling system or other more severe problems.
- Total volume of cooling liquid is 1440ml.
- Cooling liquid might damage the coating of motorcycle. Be careful while adding. If it is spilt in small quantity, please clean it immediately with soft cloth.

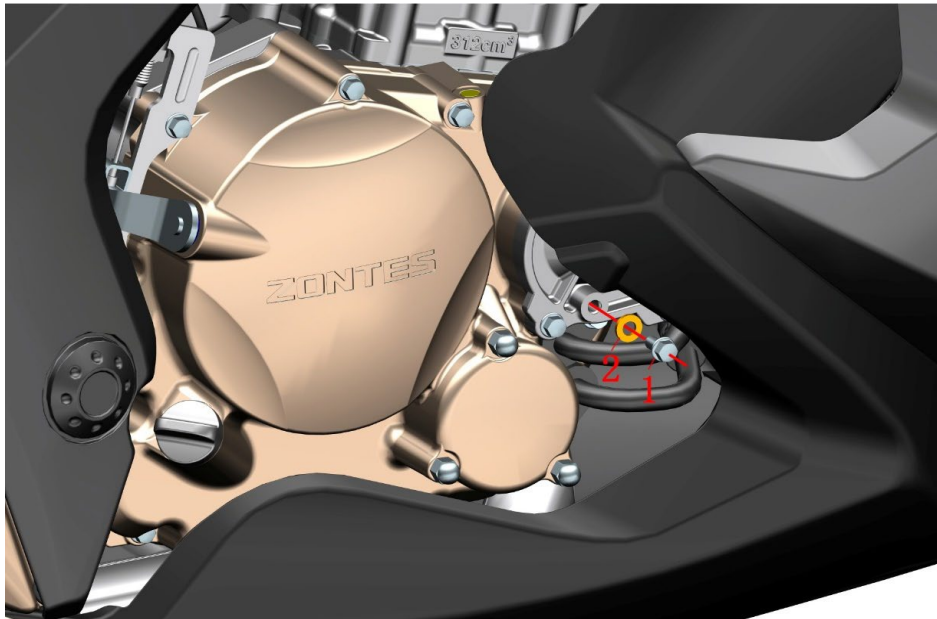


Fig.5 COOLING SYSTEM COMPONENT		Draining cooling liquid	CHK	
			ADJ	
NO.	PART NO.	PART NAME	QTY	CAUTION
1	1251112-001093	M6×16 Hex flange bolt (environmental color zinc)	1	
2	1051654-002000	Seal gasket φ 6×13×1.8	1	

**PROCEDURE:**

## ● Drain the cooling liquid

Open the sub cooling liquid tank cover. Put a holder under it. Wear waterproof gloves and disassemble bolt (1) with socket sleeve. Take off seal gasket (2). Cooling liquid starts draining, when the cooling liquid in sub cooling liquid tank is all out, open the right cooling liquid tank cover to accelerate the draining of cooling liquid in the cooling system.

Wipe out all of the cooling liquid on surface every component with a clean cloth.

**CAUTION:**

- Motorcycle should be well supported.
- Manipulation should start after the engine is completely cooled down.
- Cooling liquid is toxic. Avoid strictly eye or skin contact. For more details, see "Attention" of previous page.

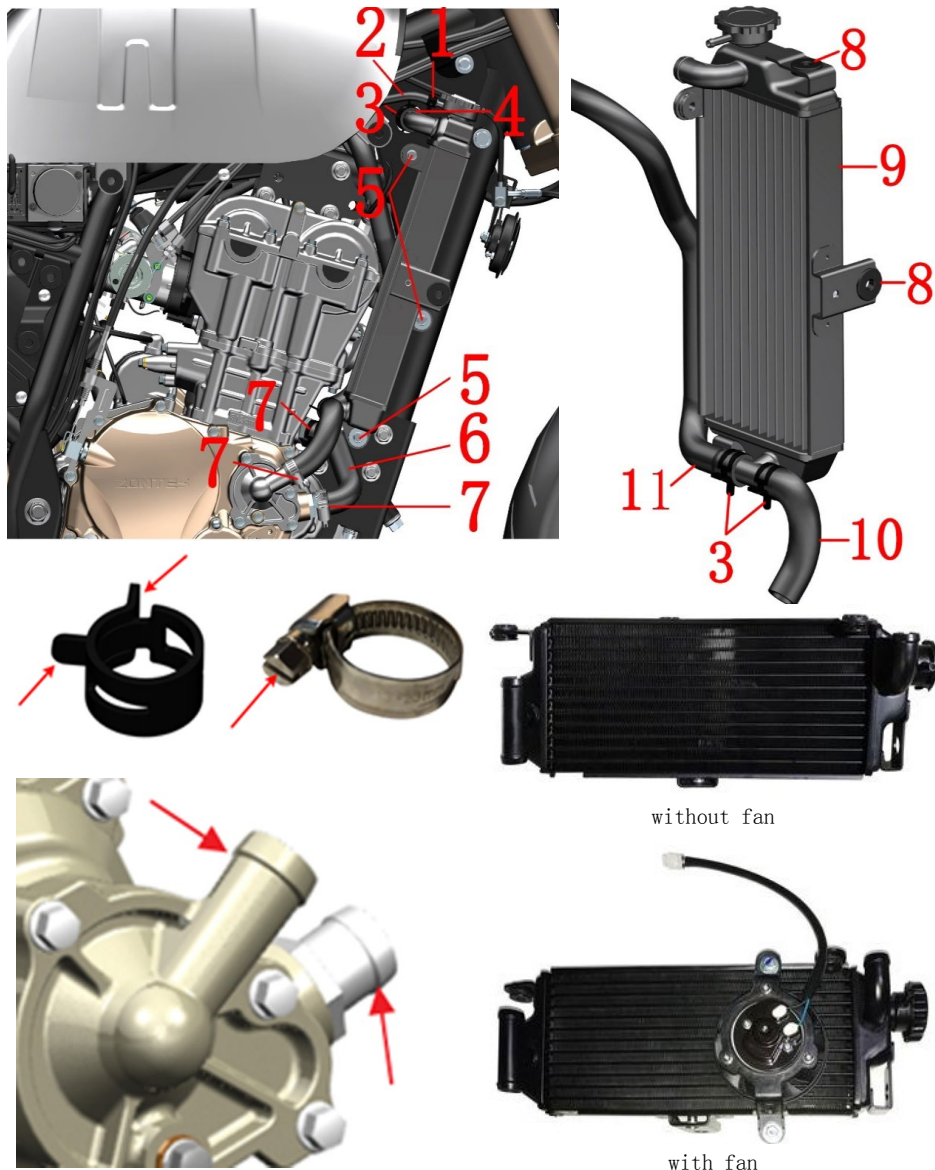


Fig.6 COOLING SYSTEM COMPONENT		Right tank component	CHK	CAUTION
NO.	PART NO.	PART NAME	ADJ	
1	1274200-079000	ZT310 Hoop of cooling liquid tube (φ9)	1	
2	1244200-013000	ZT310—R Connecting tube of sub cooling liquid tank	1	
3	1274200-090000	ZT310 Hoop of cooling liquid tube (φ26)	1	
4	1244200-011000	ZT310—R Connecting tube of L & R cooling liquid tank	1	
5	1251100-061093	M6×22 Hex flange bolt	3	
6	1244200-012000	ZT310—R Engine cooling liquid passing tube	1	
7	1274200-041000	ZT310 Cooling liquid tube clamp (φ26)	3	
8	1244100-002000	ZT250—S Side cover round gum cushion	2	
9	1274200-191000	ZT310—X R, cooling liquid tank(with fan)	1	with fan
	1274200-005000	ZT310—R R, cooling liquid tank		without fan
10	1244200-003000	ZT310—R Engine cooling liquid intake tube	1	
11	1244200-021000	ZT310 small circulation cooling liquid tube	1	

## PROCEDURE:

## ●Sub cooling liquid connecting tube

Use a plier to clamp the hoop of cooling liquid tube(1) and move towards right cooling liquid tank. After it is off from the connecting tube of sub cooling liquid tank, pull off the tube(2).

## ●Cooling liquid tube

Pull off cooling liquid passing tube(6) from the engine after moving the two hoops(7) on both sides out of the anti-fall off holder. Drag out the anti-fall off holder from the engine. Take off hoop(7).

Use straight screwdriver to loosen the bolt of clamp(7) and then move it out the interface. Pull out the tube(10) from right tank cover tube interface.

The models on production use clamp(7) for the moment. After the stock of tank cover is finished, will use hoop (3). As the construction is different, be attention while buying after sales components. If original motorcycle uses clamp, buy a clamp. If original motorcycle uses hoop, buy a hoop.

## ●L &amp; R cooling liquid tank connecting tube

Move hoop(3) towards cooling liquid tank to the interface of tube.

## ●Right cooling liquid tank assembly

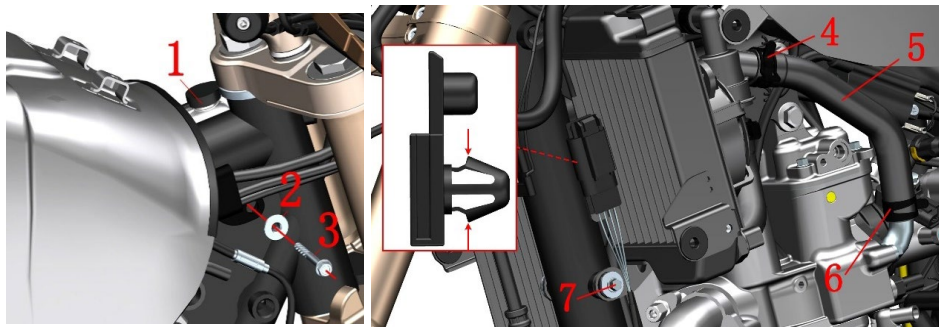
Hold the right cooling liquid tank assembly with one hand, disassemble 3 pcs of bolts(5) with socket sleeve with the other hand. Separate the connecting tube(4) with right cooling liquid tank assembly.

Pull out the right cooling liquid tank. Move hoop(3) to the T-type interface under the cooling liquid tank. Then separate the small circulation cooling liquid tube(11) with T-type interface. Take off the engine cooling liquid intake tube(10) with same method. Separate side cover round gum cushion(8) with right cooling liquid tank(9).

## CAUTION:

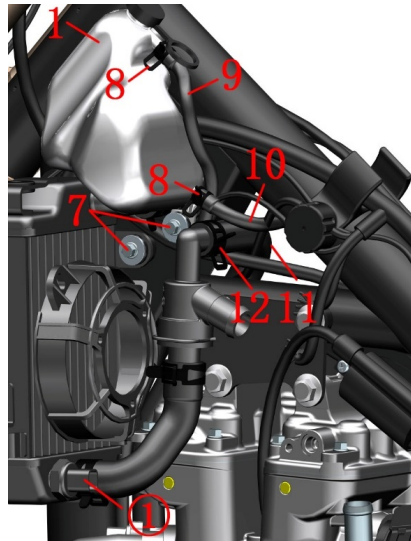
●The cooling liquid tank(with fan) needs to be used in conjunction with "1274200-190000 ZT310—X L, cooling liquid tank(with dual fan interface).

●Do not disassemble the hoop with too strong force.



A

B



C

D



a

b

Fig.7 COOLING SYSTEM COMPONENT		Left cooling liquid tank component		CHK	CAUTION
NO.	PART NO.	PART NAME	QTY	ADJ	
1	1224200-006000	ZT310-R sub cooling liquid tank	1		
2	1274100-007000	ZT250-S flanged bushing( $\phi 6.4 \times \phi 9 \times 6 + \phi 20 \times 2$ )	1		
3	1250105-236093	GB5789M6×55 (environmental color zinc)	1		
4	1274200-091000	ZT310 Hoop of cooling liquid tube ( $\phi 27$ )	2		
5	1244200-001000	ZT310-R Engine cooling liquid outlet tube	1		
6	1274200-090000	ZT310 Hoop of cooling liquid tube ( $\phi 26$ )	3		
7	1251100-061093	M6×22 Hex flange bolt	3		
8	1274200-088000	ZT310 Hoop of cooling liquid tube ( $\phi 10.5$ )	2		
9	1244200-025000	ZT310-R Sub cooling liquid tank leaking tube	1		
10	1244200-013000	ZT310-R Sub cooling liquid tank connecting tube	1		
11	1244200-021000	ZT310 small circulation cooling liquid tube	1		
12	1274200-089000	ZT310 Hoop of cooling liquid tube ( $\phi 22$ )	1		
13	1244200-011000	ZT310-R Connecting tube of L & R cooling liquid tube	1		
14	1274200-019000	ZT310-R Thermostat	1		
15	1244200-010000	ZT310-R L, cooling liquid tank intake tube	1		
16	1244100-002000	ZT250-S Side cover gum cushion	2		
17	1274200-190000	ZT310-X L, cooling liquid tank(fan dual interface)	1		b
	1274200-004000	ZT310-R L, cooling liquid tank		a	

## PROCEDURE:

## ● Sub cooling liquid assembly

Hold well the sub cooling liquid tank assembly. Disassemble bolt(3) on the right side. Take off bush(2). See Fig A, move away clamp(8). Disassemble cooling liquid leaking tube(9) and connecting tube(10). Then disassemble bolt(7) undersub cooling liquid tank. Take off sub cooling liquid tank(1). See Fig C.

## ● Left cooling liquid tank assembly

See Fig B. Use a plier to grip as the arrow shows on the cable clip and pull it out of left cooling liquid tank holder. Move hoop(4) and (6) to interface of tube and pull out engine cooling liquid outlet tube(5). Take off hoop (4) and (6). Pull off the cable interface at position ①. Move hoop(12) to joint elbow of thermostat(14). Hold tightly the thermostat and pull out the small circulation cooling liquid tube(11). Take off hoop(12). Pull off interface of fan cable. Take off bolt(7) as shown in Fig B and Fig C. Then take off sub cooling liquid tank assembly. Move the hoop(6) from top of cooling liquid tank to conner joint of cooling liquid tank. Then pull out connecting tube(13). See Fig D. Move away hoop(6) and (4) under the cooling liquid tank. Then take off the thermostat(14) and left cooling liquid tank intake tube(15). Take off hoop(6) and (4). See Fig D. Separate side cover gum cushion(16) and left cooling liquid tank(17).

## CAUTION:

● The ZT310-X L, cooling liquid tank(fan dual interface) needs to be used in conjunction with ZT310-X R, cooling liquid tank(with fan)

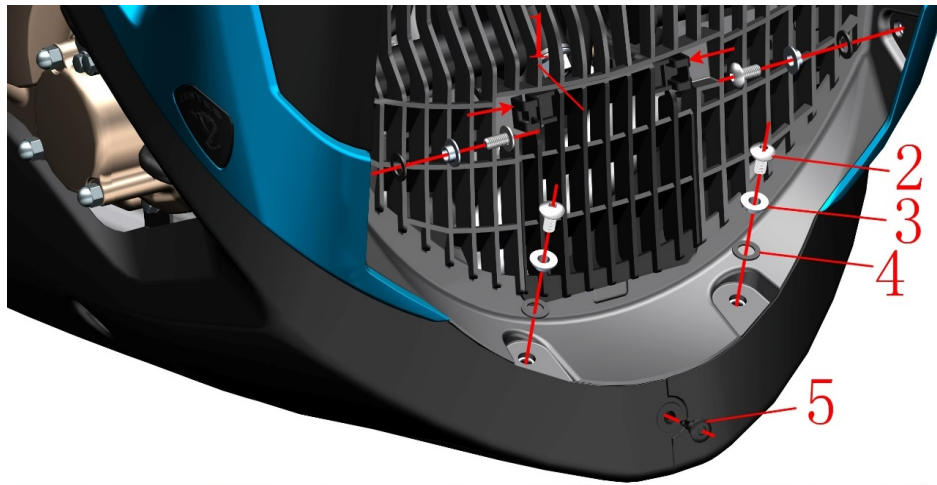
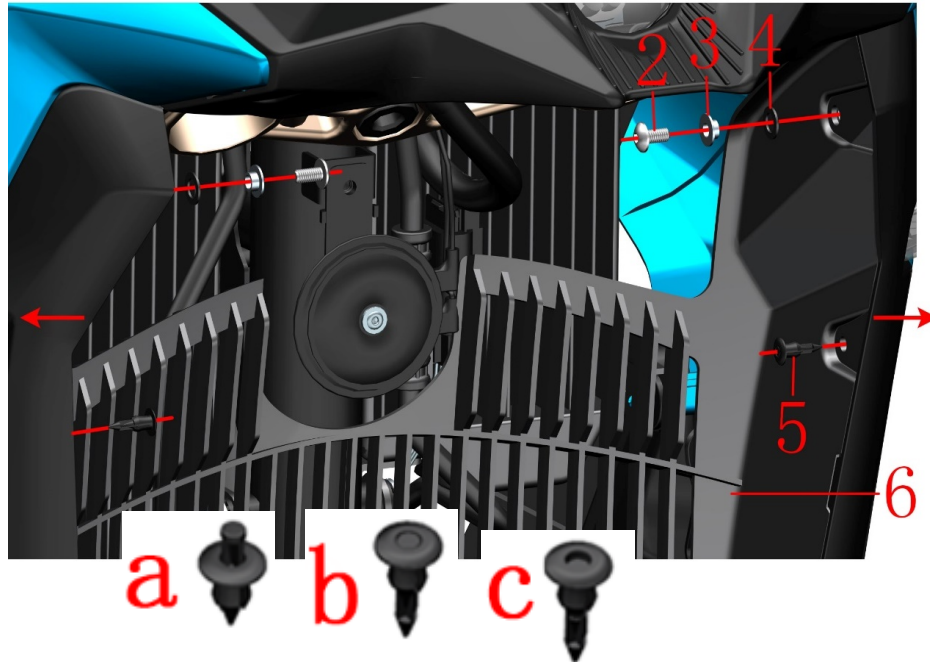


Fig.1 SURROUNDING COMPONENT		Surrounding middle component	CHK	CAUTION
NO.	PART NO.	PART NAME	ADJ	
1	1224200-048000	ZT310-X surrounds the middle cover	1	
2	1251100-101000	Non-standard bolt M6×12 (304 stainless steel)	6	
3	1274100-057095	Flanging bushing φ6.2×φ8.4×3.5+φ14×1.5	6	
4	1244100-052000	Cuff bushing cushioning rubber (φ8.5×φ14×1)	6	
5	1224100-010000	ZT250-S expansion nail	3	
6	1224200-047000	ZT310-X surrounds the middle	1	




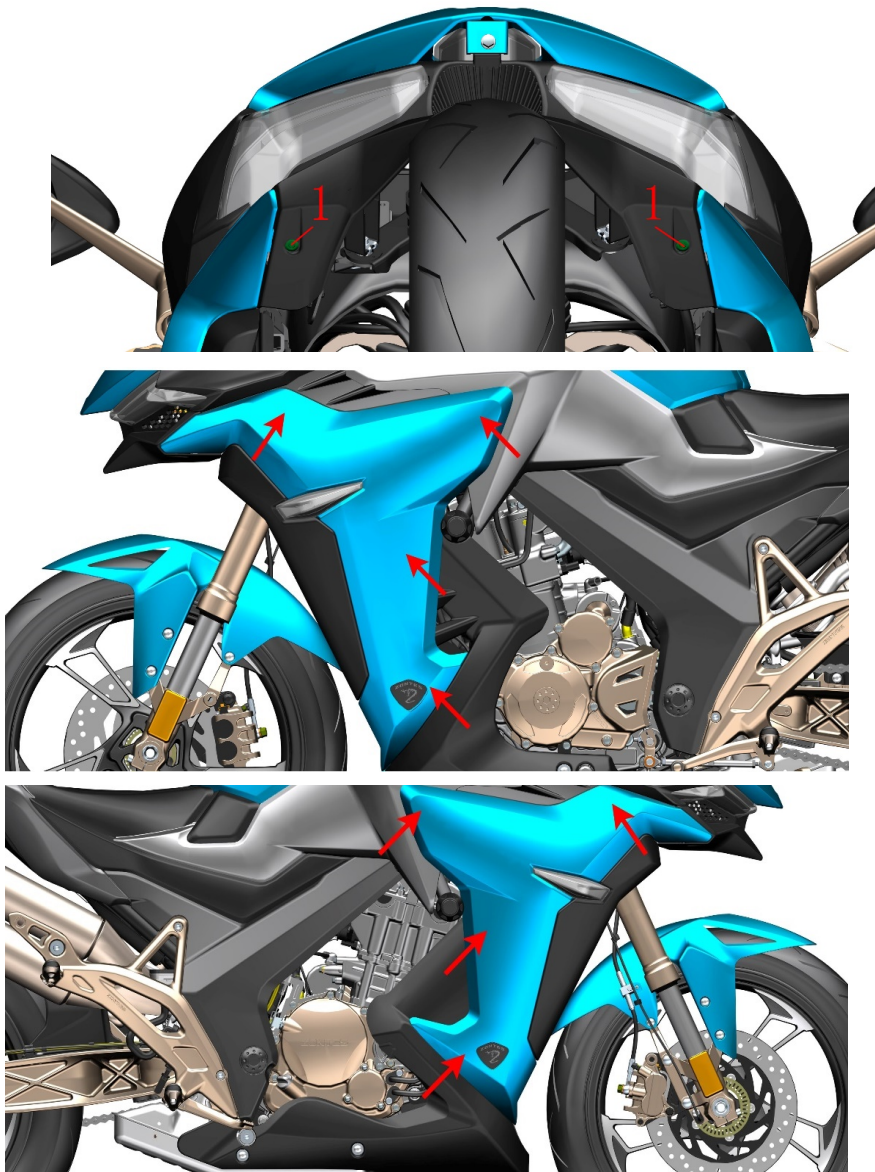
## PROCEDURE:

- Surround the middle cover  
Press the buckle in the direction of the arrow and then remove the middle cover (1).
- Bounding components  
Use a small Phillips screwdriver to push down the center of the expansion pin (as shown in the c on the left) and remove the 3 expansion pins (5).  
Remove the 6 bolts (2) and remove the bushing (3) and cushion rubber (4).  
Pull the left and right surrounding components slightly outward in the direction of the arrow and remove the surrounding middle (6).

## CAUTION:

- The vehicle should be fixed before operation.
- Pay attention to the force when disassembling to prevent damage to the parts.
- Figure a is the unmounted state; Figure b is the assembled state; Figure c is the disassembled state.

Fig.2 SURROUNDING COMPONENT		Envelope panel assembly	CHK	
NO.	PART NO.		ADJ	
1	1224100-010000	ZT250-S expansion nail	QTY	2



## PROCEDURE:

- Bound panel components  
Use a small Phillips screwdriver to push down the center of the expansion pin (as shown in the c on the left) and remove the 2 expansion pins (1).
- Left bracket panel assembly  
Pull out from the bottom up at the four points indicated by the arrows, pull out the left surrounding panel assembly, and then remove the left turn signal cable connector and remove it.
- Right enclosure panel assembly  
Pull out from the bottom to the top of the four directions indicated by the arrow, pull out the right enclosure panel assembly, remove the right turn signal cable connector and remove.

## CAUTION:

- The vehicle should be fixed before operation.
- Pay attention to the force when disassembling to prevent damage to the parts.
- Figure a is the unmounted state; Figure b is the assembled state; Figure c is the disassembled state.



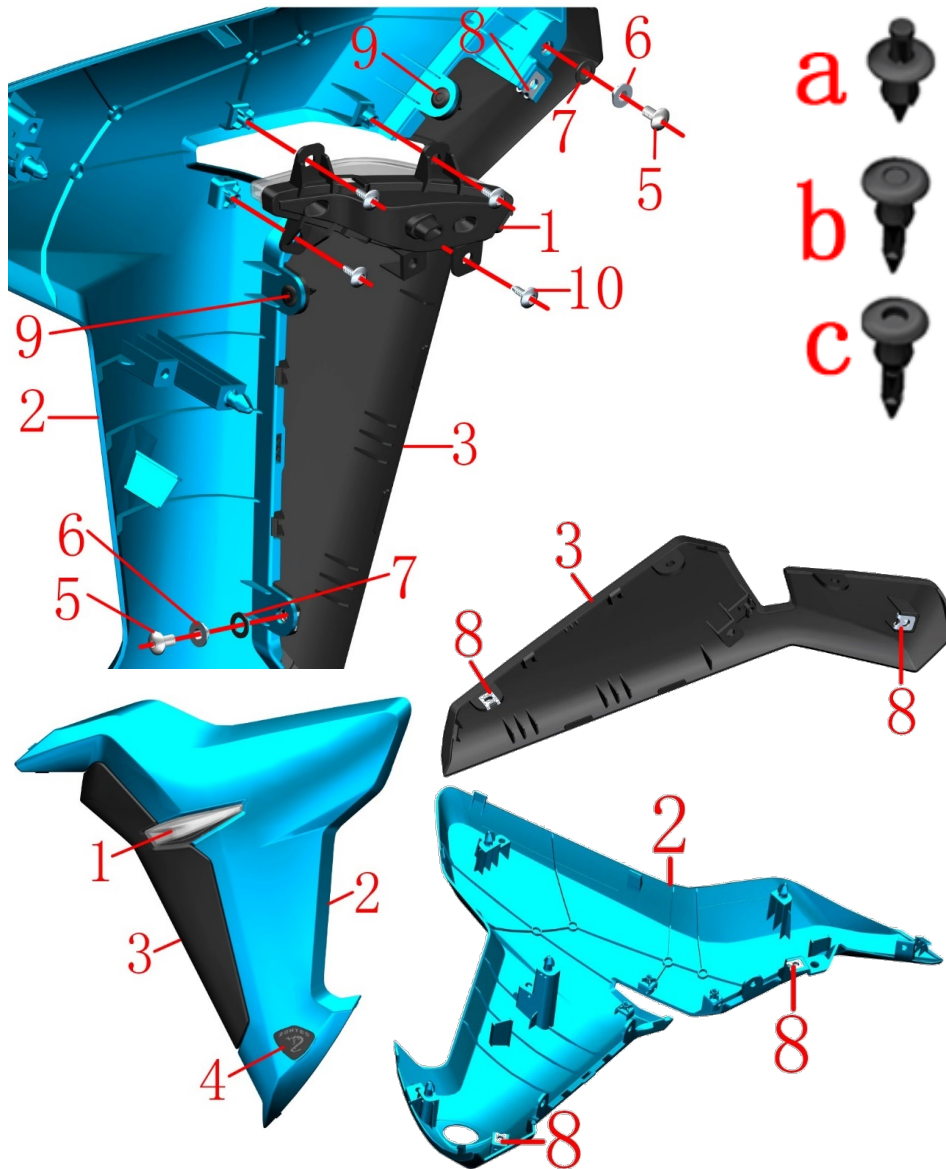


Fig.3 SURROUNDING COMPONENT		Left surround panel assembly		CHK	CAUTION
NO.	PART NO.	PART NAME	QTY	ADJ	
1	1174200-009000	ZT310-X front left turn signal	1		
2	4044201-007064	ZT310-X bright blue surround left panel	1		
	4044201-055001	ZT310-X pearl white surrounded by left panel			
	4044201-045021	ZT310-X special black surround left panel			
	4044201-071051	ZT310-X basalt lime surrounds the left panel			
	4044201-045051	ZT310-X dark gray borders the left panel			
	4044201-101015	ZT310-X ruby red surround left panel			
3	1224200-034000	ZT310-X surrounds the left decorative panel	1		
4	1210201-393000	ZT310-X surrounds left panel signage	1		
5	1251100-101000	Non-standard bolt M6×12 (304 stainless steel)	2		
6	1274100-057095	Flanging bushing φ6.2×φ8.4×3.5+φ14×1.5	2		
7	1244100-052000	Cuff bushing cushioning rubber (φ8.5×φ14×1)	2		
8	1251300-063093	Splint M6×11×15 (environmental color)	4		
9	1224100-010000	ZT250-S expansion nail	2		
10	1251200-033093	Non-standard self-tapping screws ST4.2×12	4		

## PROCEDURE:

- Left bracket panel signage  
Lift the label (4) out from the back of the left enclosure panel assembly to clean up the remaining offset.
- Left turn signal assembly  
Remove the 4 self-tapping screws (10) and remove the left turn signal (1) from the panel assembly.
- Left panel components  
Remove the 2 bolts (5) and remove the bushing (6) and cushion rubber (7).  
Use a small Phillips screwdriver to push down the center of the expansion pin (as shown in the c on the left) and remove the 2 expansion pins (9).  
Separate the left enclosure panel assembly from the left trim panel assembly.  
Remove the 2 pieces of the splint (8) from the left enclosure panel (2).  
Remove the two splints (8) from the left enclosing decorative panel (2).

## CAUTION:

- Pay attention to the force when disassembling to prevent damage to the parts. Protective measures should be taken to prevent scratches.
- Figure a is the unmounted state; Figure b is the assembled state; Figure c is the disassembled state.
- Do not pull the cable when removing the turn signal from the left enclosure panel assembly.

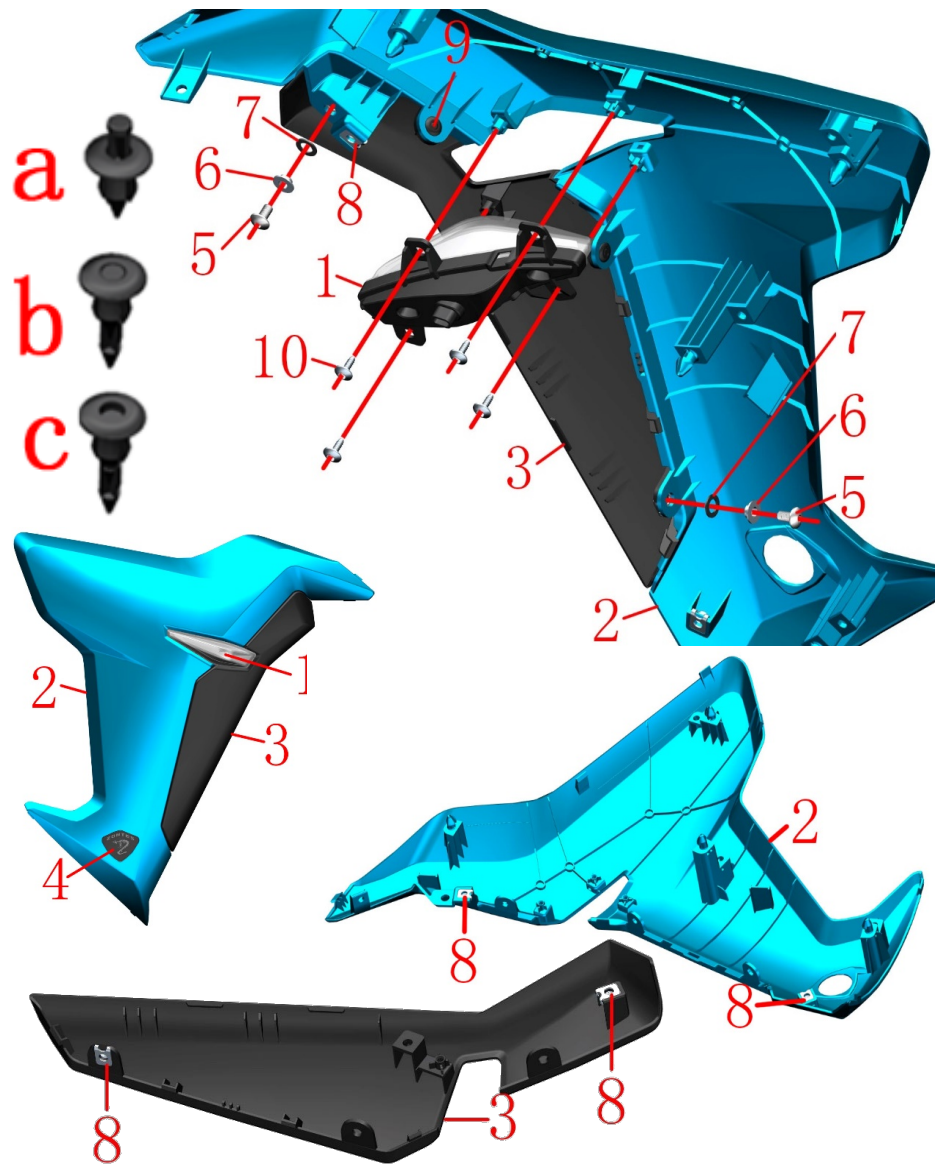


Fig.4 SURROUNDING COMPONENT		Right enclosure panel assembly		CHK	CAUTION
				ADJ	
NO.	PART NO.	PART NAME		QTY	
1	1174200-010000	ZT310-X front right turn signal		1	
2	4044201-008064	ZT310-X bright blue surrounds the right panel		1	
	4044201-056001	ZT310-X pearl white surround right panel			
	4044201-046021	ZT310-X special black surround right panel			
	4044201-072051	ZT310-X basalt lime surrounds the right panel			
	4044201-046051	ZT310-X dark gray borders the right panel			
	4044201-102015	ZT310-X ruby red surround right panel			
3	1224200-035000	ZT310-X surrounds the right decorative panel		1	
4	1210201-394000	ZT310-X surrounds the right panel signage		1	
5	1251100-101000	Non-standard bolt M6×12 (304 stainless steel)		2	
6	1274100-057095	Flanging bushing φ6.2×φ8.4×3.5+φ14×1.5		2	
7	1244100-052000	Cuff bushing cushioning rubber (φ8.5×φ14×1)		2	
8	1251300-063093	Splint M6×11×15 (environmental color)		4	
9	1224100-010000	ZT250-S expansion nail		2	
10	1251200-033093	Non-standard self-tapping screws ST4.2×12		4	

## PROCEDURE:

## ●Right enclosure panel signage

Eject the label (4) from the back of the right enclosure panel assembly and clean the remaining offset.

## ●Right turn signal assembly

Remove the 4 self-tapping screws (10) and remove the right turn signal (1) from the panel assembly.

## ●Right panel components

Remove the 2 bolts (5) and remove the bushing (6) and cushion rubber (7).

Use a small Phillips screwdriver to push down the center of the expansion pin (as shown in Figure c on the right) and remove the 2 expansion pins (9).

Separate the right enclosure panel assembly from the right trim panel assembly.

Remove the 2 plywood (8) from the right enclosure panel (2).

Remove the 2 splints (8) from the right enclosing decorative panel (2).

## CAUTION:

●Pay attention to the force when disassembling to prevent damage to the parts. Protective measures should be taken to prevent scratches.

●Figure a is the unmounted state; Figure b is the assembled state; Figure c is the disassembled state.

●Do not pull the cable when removing the turn signal from the right enclosure panel assembly.



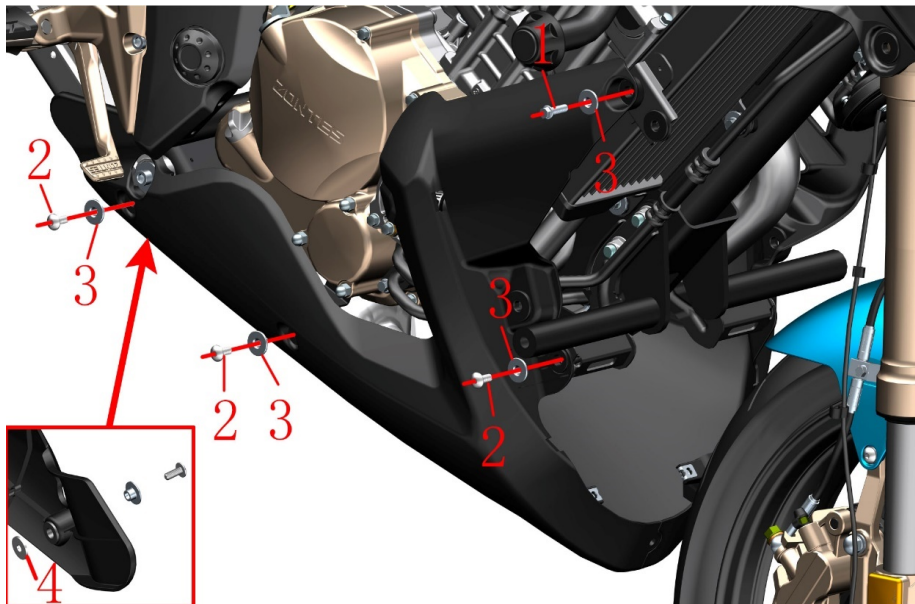
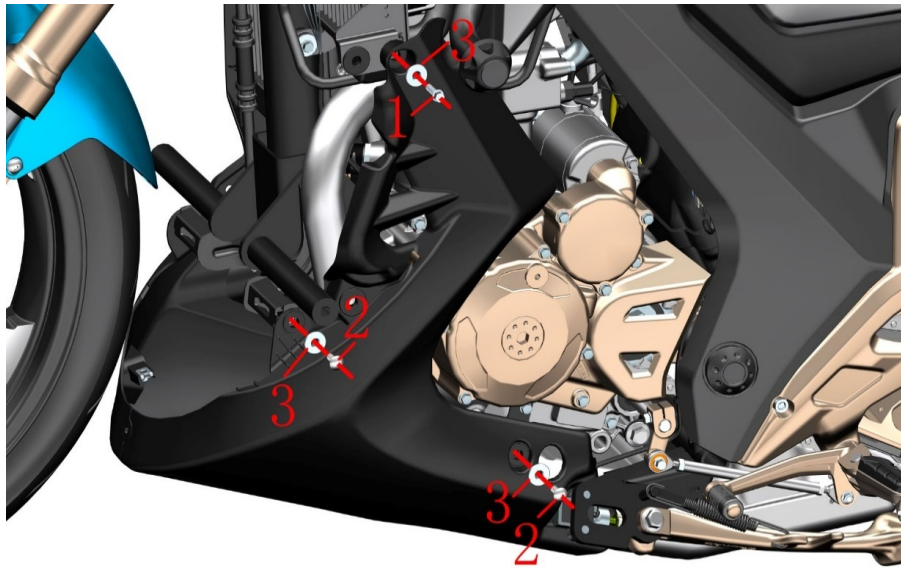


Fig.5 SURROUNDING COMPONENT		Lower shroud assembly 1		CHK	⚠
NO.	PART NO.	PART NAME	QTY	ADJ	
1	1251100-061093	M6×22 hex flange face full thread bolt	2		
2	1251100-102000	Non-standard bolt M6×16 (304 stainless steel)	7		
3	1274100-007000	ZT250-S flanged bushing(φ6.4×φ9×6+φ20×2)	7		
4	1250502-010093	GB96.1φ6 (environmental color)	1		

## PROCEDURE:

## ● Bottom lower shroud assembly

Remove the bolt (1) and remove the bushing (3).

Remove the 2 bolts (2) on the left side with one hand on the bottom of the lower shroud assembly and remove the bushing (3).

## ● lower right shroud assembly

Continue to hold the bottom of the lower shroud assembly with one hand and remove the bolt (1), and remove the bushing (3).

Remove the 3 bolts (2) on the right side and remove the bushing (3).

Slightly open the rear of the lower right shroud and remove the shim (4).

## ● Lower shroud assembly

## CAUTION:

- Pay attention to the force when disassembling to prevent damage to the parts.
- For the disassembly procedure of the lower shroud bracket, see “Frame & Engine Combination 1”.



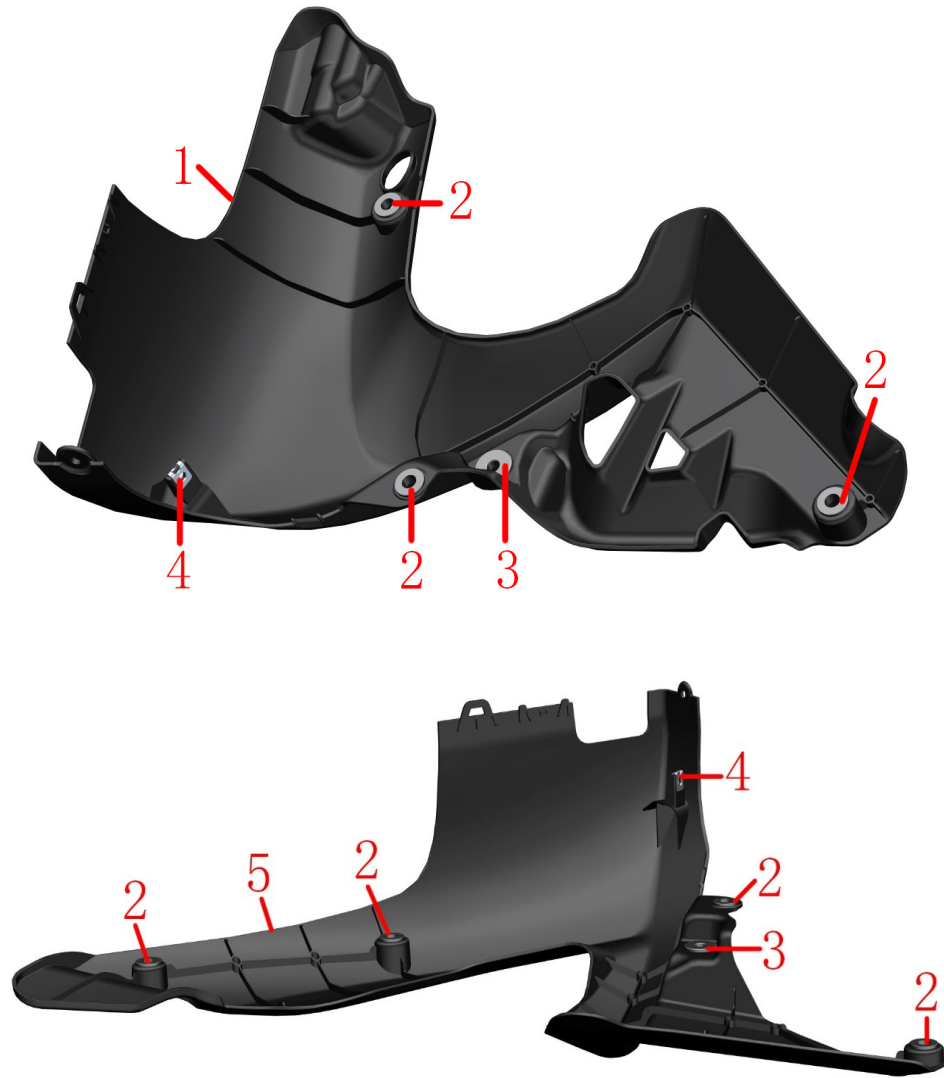


Fig.6 SURROUNDING COMPONENT		Lower shroud assembly 2		CHK	CAUTION
				ADJ	
NO.	PART NO.	PART NAME		QTY	
1	1020442-019000	ZT310-X lower shroud left		1	
2	1244100-004000	ZT250-S Flanging Bushing Buffer		7	
3	1244100-002000	ZT250-S side cover round glue		2	
4	1251300-063093	Splint M6×11×15 (environmental color)		2	
5	1020442-026000	ZT310-X lower right side of the shroud		1	

## PROCEDURE:

- Bottom lower shroud assembly  
Remove the cushion rubber (2), the side cover round rubber (3) and the splint (4) from the lower left shroud (1).
- lower right shroud assembly  
Remove the cushion rubber (2), the side cover round rubber (3) and the splint (4) from the lower right shroud (5).

## CAUTION:

- Pay attention to the force when disassembling to prevent damage to the parts.

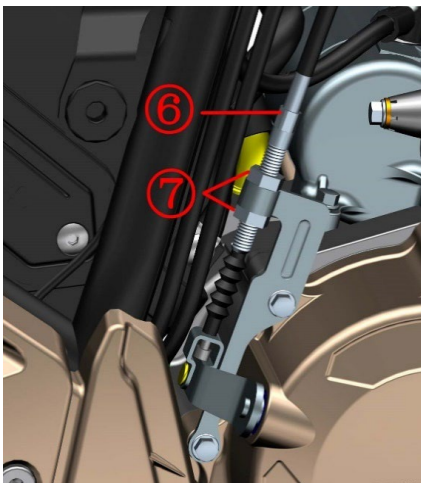
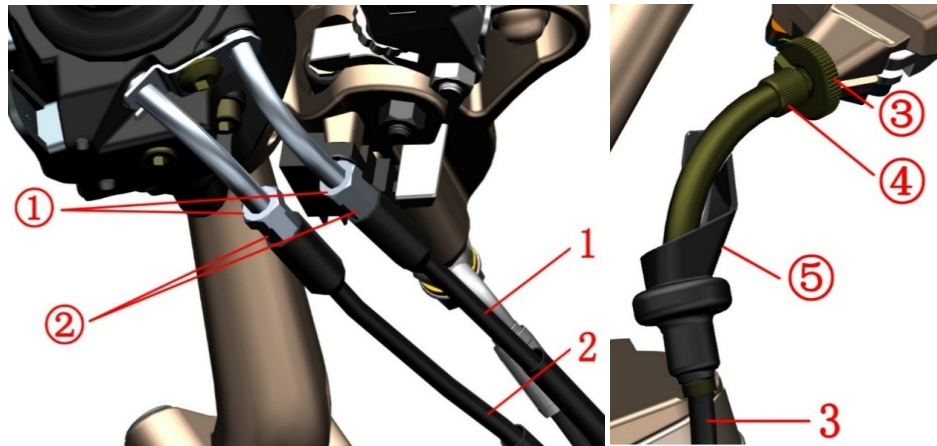


Fig.1 FRONT FORK COMPONENT		Throttle/clutch cable clearance adjustment, light height adjustment	CHK	CAUTION
			ADJ	
NO.	PART NO.	PART NAME	QTY	
1	1154200-003000	ZT310—X throttle accel cable	1	
2	1154200-004000	ZT310—X Throttle return cable	1	
3	1154200-002000	ZT310—X Clutch cable	1	

## PROCEDURE:

## ● Throttle line

Use an open-end wrench to loosen the lock nut ① on the throttle refueling line (1) or the return line (2), and turn the adjustment screw ② to adjust the clearance to 2 to 4 mm. After the adjustment, lock the nut ① again.

## ● Clutch line

## Fine adjustment:

Lift the protective rubber sleeve ⑤ on the clutch rocker arm to the elbow of the clutch cable (3), loosen the nut ③ with pliers, rotate the adjustment screw ④, finally lock the nut ③, and then reset the dust jacket. After adjusting, pay attention to the nut ③, the adjustment screw ④ and the groove of the rocker seat should be staggered to prevent the cable from coming out.

## Big adjustment:

If fine adjustment cannot be achieved, loosen the nuts ⑦ with an open-end wrench, rotate the adjustment screw ⑥, and finally tighten the nuts ⑦.

## ● Light height adjustment

The driver sits on the motorcycle and keep it upright. The other person uses the light height control knob to adjust the appropriate height. and rotates counterclockwise. Low beam height. Turn the light down by counterclockwise.

## CAUTION:

● The motorcycle support should be fixed during disassembly to prevent accidents caused by incline.

● Throttle line adjustment should be noted as follows:

After adjustment, ensure that the throttle can be reset automatically. It is forbidden to increase the idle speed of the engine due to adjustment of the cable.

The engine idle speed rise cannot occur in the direction of rotation.

Checking the engine idle speed should be performed under the condition of a heat engine and should be at 1300 to 1500 rpm.

● The clutch adjustment should be noted as follows:


Excessive free travel can cause wear and malfunction of the clutch and gearshift mechanism.

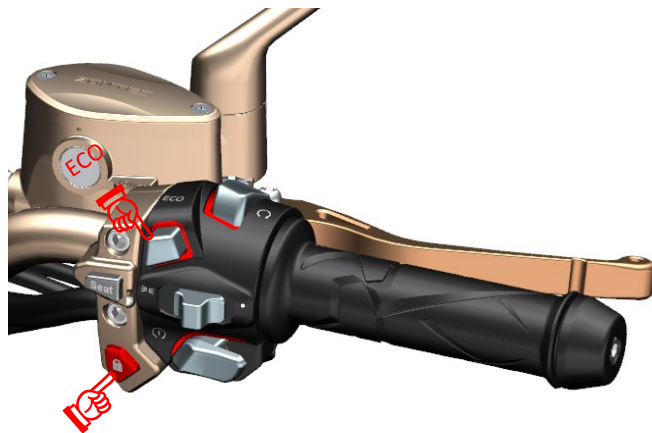
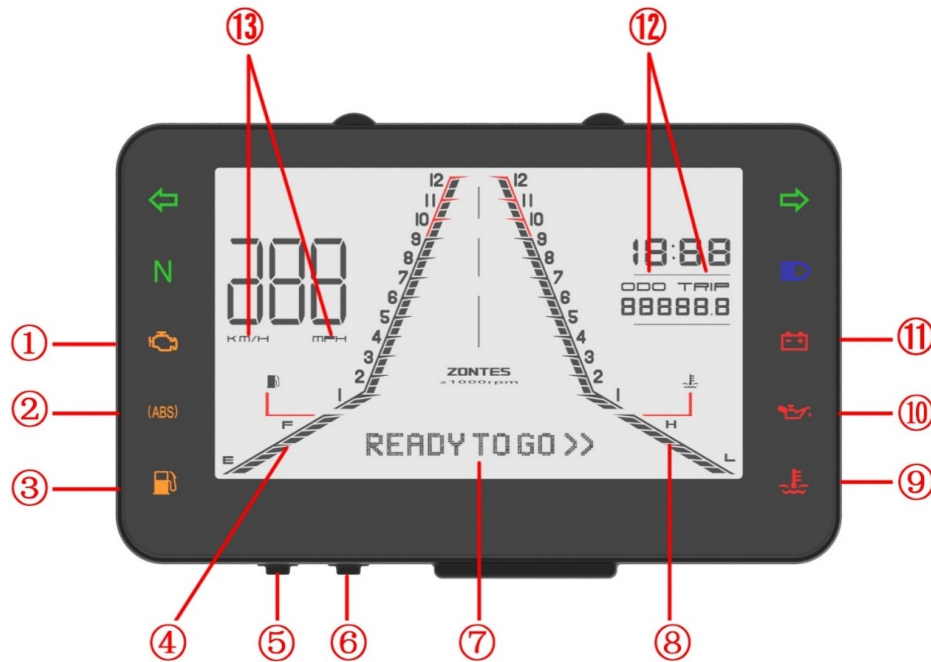
After adjustment, be sure to stagger the nut, adjusting screw, and slot on the rocker arm to a certain position to prevent the cable from coming out of the slot.

● Light height adjustment should be noted as follows:

Too high or too low light levels can affect safe driving. The height of the lights should be properly adjusted according to whether there are changes in the weight of the occupants and the driver.

It is forbidden to adjust the light height during riding. It is advisable to adjust the road with a smooth road surface and a straight line distance of about 150 meters without affecting traffic safety at night.

Fig.2 FRONT FORK COMPONENT	Instrument function description	CHK	
		ADJ	



## Instrument function:

①EFI failure signal light; ②ABS anti-lock braking system signal; ③Fuel oil warning signal; ④fuel oil level meter.; ⑤ SET key; ⑥MODE key; ⑦Multifunctional lattice area ⑧ Water thermometer ⑨Water temperature alarm signal; ⑩ Engine Oil indicator light ⑪ battery low voltage alarm signal; ⑫ ODO&TRIP key ⑬KM&MPH mark

(1) Short press the "🔒" button of the sub switch of right handle bar (as picture shown), the ignition route is turned on, and the meter is turned on and check itself :

(2) Short press the "🔒" button If it is OFF, it indicates that the EFI system is abnormal, it may cause damage if the engine is started at this moment. If the start is successful, the fault signal lights up during operation, and the alarm signal reported by the EFI indicates that the EFI system is abnormal. Please park the motorcycle in a safe location and contact the company's designated after-sales shop to check the EFI system.

(3) When the motorcycle is energized and the parking is stopped by short pressing the "🔒" button, the ABS anti-lock braking system signal light ② will light up automatically. When the speed exceeds 5 km/h, the signal will automatically extinguish. Otherwise, it is indicated that the ABS is faulty. Please contact the company's designated after-sales shop to check and maintain it.

(4) The fuel oil alarm signal ③ is ON due to the low level fuel oil to prompt the users to fill it up in time.

(5) Fuel level meter ④ displays the residual fuel. When the meter is shown as 8 sections, the fuel tank is full. When the amount of oil is reduced to about 1 L, the fuel mark flashes and the fuel should be replenished timely.

(6) SET key ⑤ is used to adjust the instrument. (More details in Driving Manual)

(7) MODE key ⑥ is used to adjust the instrument. (More details in Driving Manual)

(8) There are 5 display states in the multi-function bitmap ⑦ (four modes of b\c\d\e can be switched by pressing the SET key in ODO mode) :

a. READY TO GO: WELCOME

b. AVG\_KM/H, L/100KM: \_: average driving speed, 100 km fuel consumption.

c. GEAR\_: GEAR

d. Estimate mileages of the residual fuel.

e. Engine failure code.

(9) The water temperature meter 8 lights up to a temperature of less than 60 ° C, and the temperature increases by 10 ° C for each additional cell. The water temperature warning lamp 9 lights up when it is greater than 110 ° C.

(10) The oil reminder light 10 will illuminate after a certain mileage, indicating that the oil needs to be replaced. When the indicator light is on in the ODO mode, press the MODE button 6 to clear the oil change indicator.

(11) When the low battery warning light 11 flashes, it indicates that the battery voltage is lower than 11.5±0.25V. Please contact our sales point for inspection, charge or replace the battery.

(12) ODO long odometer & TRIP short odometer

Long-distance switching: In the TRIP mode, press the MODE button to switch to "ODO"; in the ODO mode, press the MODE button to switch to the "TRIP" mode, and press the SET button to shorten the mileage. ODO long mileage record total mileage can not be cleared; TRIP can record single or multiple accumulated mileage can be cleared.

(13) Press the MODE button 6 in the "ODO" mode to switch the speed between mph and km/h, and the odometer switches between mile and km.

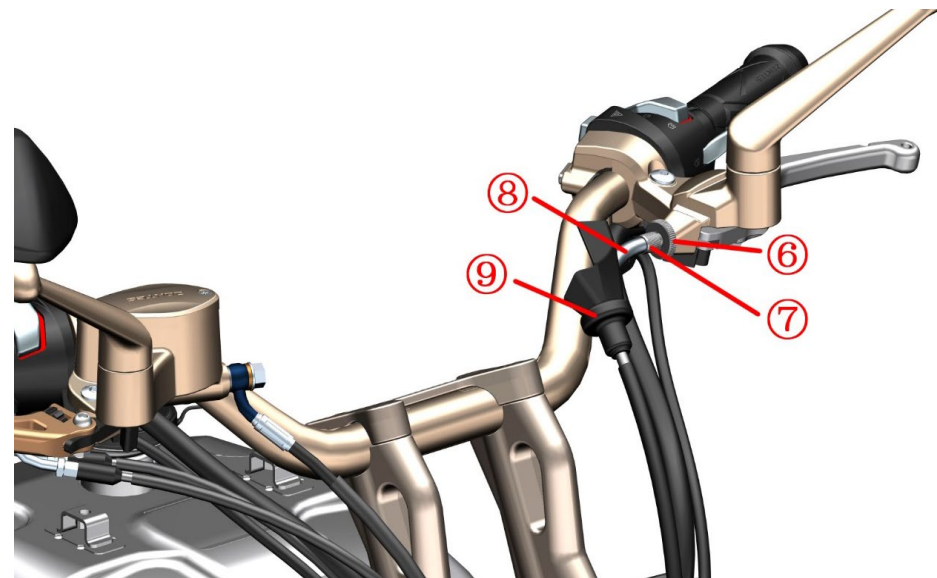
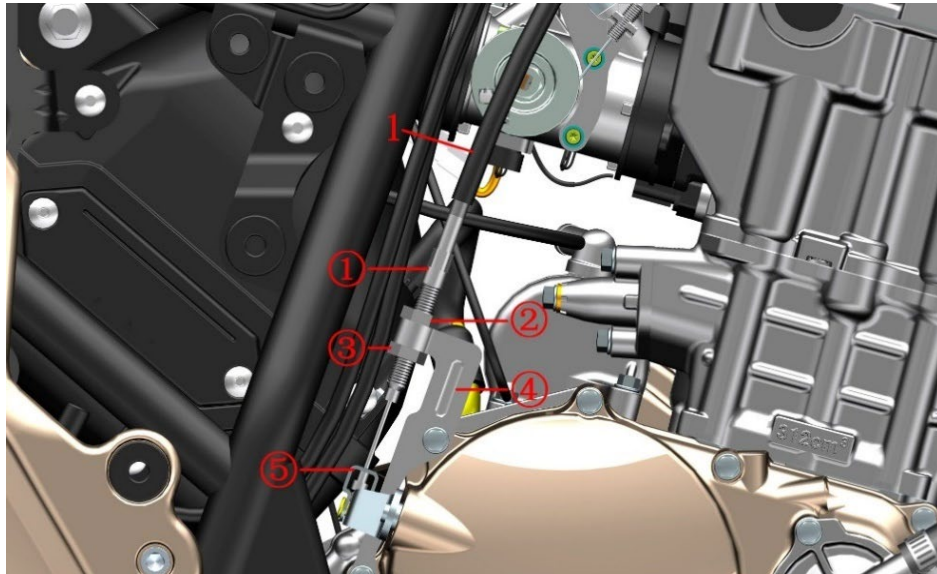


Fig.3 FRONT FORK COMPONENT		clutch cable replacement	CHK	
			ADJ	
NO.	PART NO.	PART NAME	QTY	CAUTION
1	1154200-002000	ZT310—X clutch cable	1	

#### PROCEDURE:

##### ● Remove the clutch line

Use an open-end wrench to loosen the nuts ② and ③; fix the adjusting screw ①, rotate the nut ② up to the top of the thread of the adjusting screw, and screw the nut ③ to the bottom to completely separate from the thread. Separate the clutch wire core connector from the bracket ⑤, close the nut ③ to the black sheath with one hand, and remove the adjustment screw ① from the bracket ④ with one hand.

First, the protective rubber sleeve ⑨ is retracted to the elbow ⑧ and the nut ⑥ is loosened with the pliers; the nut ⑥ and the adjusting screw ⑦ are rotated to the same position as the groove on the rocker arm, and remove the cable from the rocker arm seat.

Remove the clutch line.

Remove the protective sleeve ⑨ from the clutch cable(1).

##### ● Install the clutch line

Put protective rubber sleeve ⑨ into clutch elbow.

After inserting the clutch cable joint into the rocker arm, screw the nut ⑥ and the adjusting screw ⑦ to the groove on the rocker arm.

Assemble the clutch cable into place according to the original alignment.

Rotate the nut ② up to the top of the thread of the adjusting screw, and screw the nut ③ to the bottom to completely separate from the thread.

Take the nut ③ close to the black sheath with one hand and insert the adjustment screw ① into the bracket ④ with one hand.

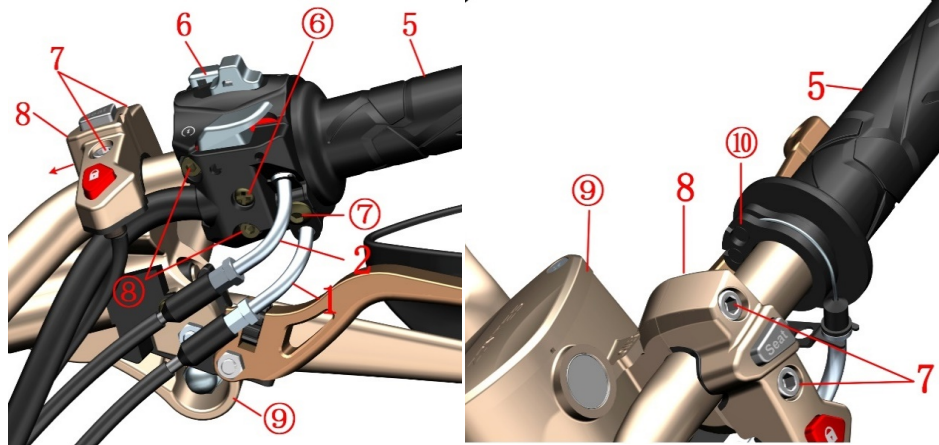
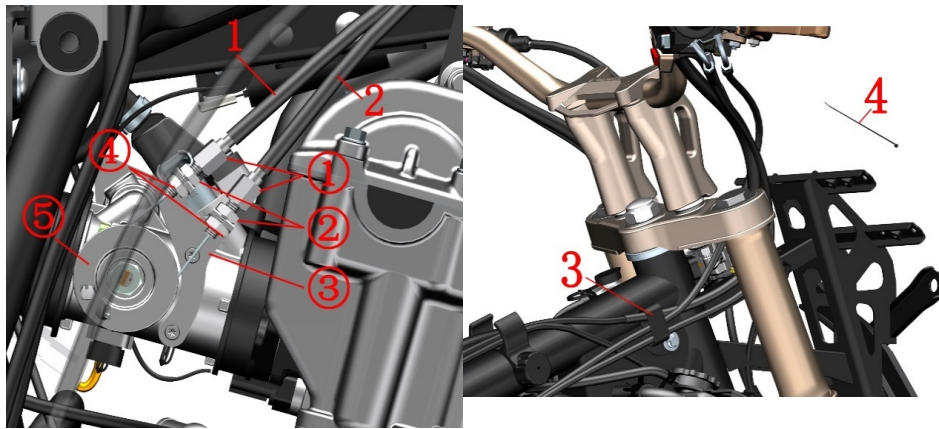
Insert the clutch core connector into the hole of the bracket ⑤.

Initially position the nut ② first, adjust the free stroke adjustment in the clutch cable adjustment, and then lock the nut ③.

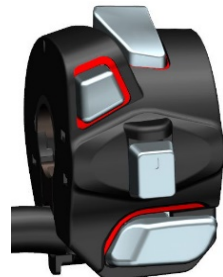
Finally, reset the protective rubber sleeve ⑨.

#### CAUTION:


- The motorcycle support should be fixed during disassembly to prevent accidents caused by incline.
- Before replacing the clutch line, it is necessary to disassemble the seat cushion, fuel tank, liner, side cover, etc.



out of stock  
ZT310-X Right  
handlebar



ZT310-X1 Right  
handlebar

Fig.4 FRONT FORK COMPONENT		Replace the throttle line	CHK	
NO.	PART NO.	PART NAME	ADJ	
1	1154200-003000	ZT310-X Throttle refueling line	1	CAUTION
2	1154200-004000	ZT310-X Throttle return line	1	
3	1224200-016000	ZT310-R Line clamp	1	
4	1224100-051000	0 Flame retardant tie (black 2.5×100)	1	
5	1244100-042000	ZT250-R Right handlebar rubber sleeve	1	
6	1184200-022000	ZT310-X Right handlebar switch	1	out of stock
	1184200-140000	ZT310-X1 Right handlebar switch		new
7	1250205-031091	GB70.1M6×30 (stainless steel)	2	
8	1184200-023000	ZT310-X Right handle bar auxiliary switch	1	

#### PROCEDURE:

##### ●Disassemble the throttle line

Use an open-end wrench to turn the nut ② of the throttle refueling line (1) or the oil return line (2) upside down, turn the nut ④ downwards out of the adjusting pipe ①; rotate the turntable on the throttle valve clockwise, and turn the cylindrical joint of the fuel line from the turntable Remove; then move the adjustment tube upwards over the bracket ③ on the throttle valve and pull outwards to separate the core from the bracket. Similarly, remove the oil return line.

Use pliers to open the card of the line clamp (3) slightly, remove the throttle cable from the slot, and cut off the cable tie (4).

Loosen the bolts (7); remove the sub switch (8) and the right brake rocker arm assembly (9) in the direction of the arrow and lock the bolt (7). Always keep disc brake main pump ⑨ high to prevent air from entering the oil circuit.

Hold the right hand switch (6) with your hand and remove the bolts (7) and (8) before removing the bolt (6). Switch the upper and lower parts of the switch.

Remove the throttle cable from the right hand and remove the rubber sleeve (5) from the core turntable ⑩, and then remove it from the cable hole in the lower part of the switch.

##### ●Install the throttle line

First pass the throttle cable into the cable hole in the lower part of the switch. Fit the cylindrical connector of the throttle cable into the turntable ⑩ on the right hand gripper (5). Return the oil return line card to the limit slot provided on the fuel line. Use a hexagon socket tool to lock the bolt (7) to a torque of (8) to 10 Nm. The switch mounting hole is slightly twisted a few times for the rear bolt (8) and the bolt (6) is locked after observing the positioning hole and the direction of the lower part of the switch (6). Finally, tighten the bolt (8) and tie the tie (4). Cut off the excess. Reset the sub switch and rocker assembly and note the symbol on the alignment switch. Install the throttle cable into the slot of the hub clamp (3). Use an open hand to turn the nut (2) of the throttle refueling line (1) or the return line (2) up to the end, and turn the nut (4) downwards to the adjustment pipe (1). Put the oil return line into the bracket (3), and fit the connector into the turntable (5). Put the oil line into the bracket (3), then turn the turntable (5) to a certain angle, and then insert the connector. Refer to the method of adjusting the gap to adjust the throttle line clearance; after adjusting the left and right direction of rotation, there should be no change in idle speed and flexible reset. Lock nuts (2) and (4).

#### CAUTION:

●The motorcycle support should be fixed during disassembly to prevent accidents caused by incline.

●Before replacing the clutch line, it is necessary to disassemble the seat cushion, fuel tank, liner, side cover, etc.

●The ZT310-X Right handlebar switch has been out of stock ,it can be replace as ZT310-X1 Right handlebar switch.

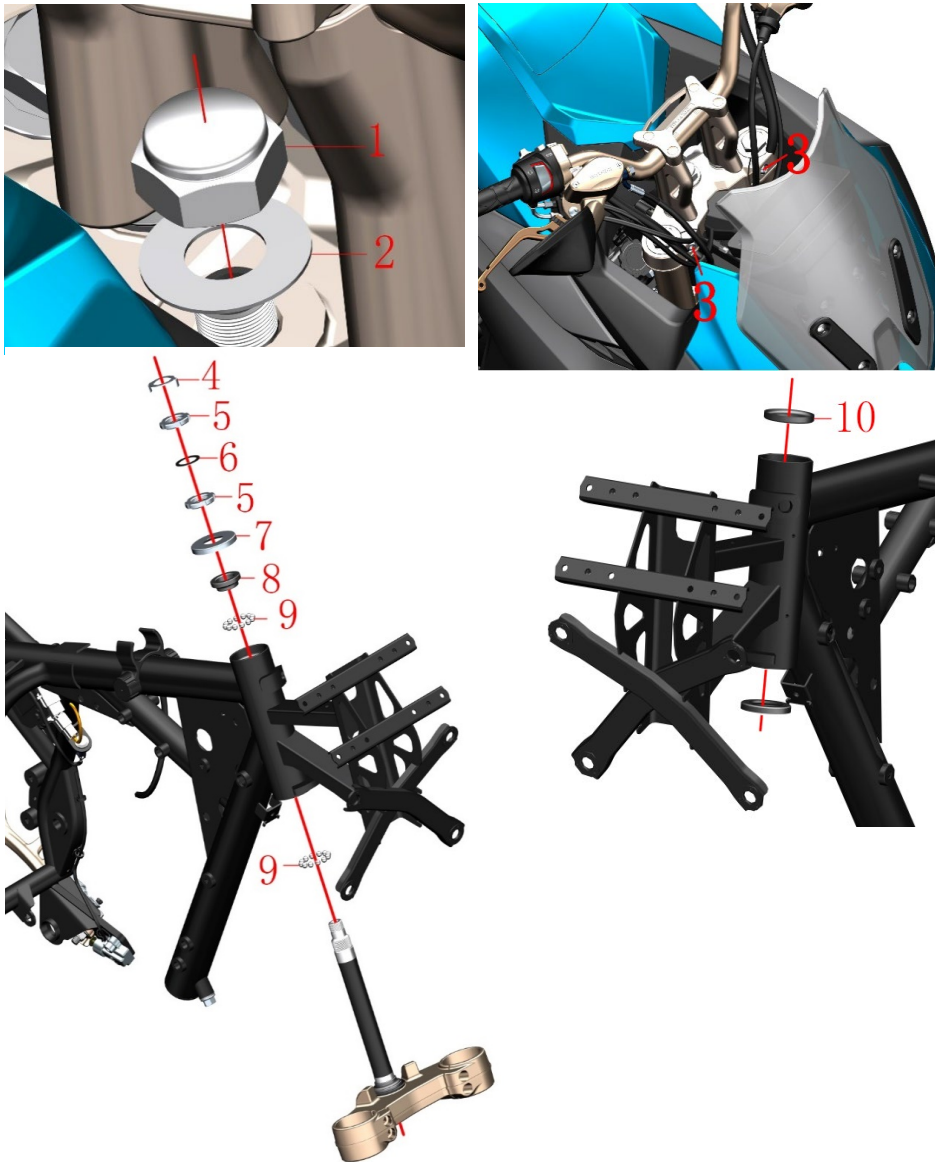


Fig.5 FRONT FORK COMPONENT		Turn adjustment	CHK	CAUTION
NO.	PART NO.	PART NAME	ADJ	
1	1251300-045000	ZT250-S Upper connection plate decorative nut	1	100N·m
2	1251500-050000	ZT250-S Upper connection plate gasket φ18.5×φ39×1	1	
3	1250205-023000	GB70.1 Hexagon M8×35 (color zinc)	2	22 ~ 24N.m
4	1134100-007000	ZT250-S Adjusting nut lock washer	1	
5	1251300-046093	ZT250-S Direction column adjusting nut M24X1	2	
6	1244100-015000	ZT250-S Adjusting nut pad	1	
7	1224100-005000	ZT250-S Direction column dust cover	1	
8	1130900-024000	ZT250-S Shaft ring	1	
9	1130900-022000	ZT250-S Conjoined steel ball	2	
10	1130900-026000	ZT250-S Seat ring	2	

## PROCEDURE:

- When the front fork is slightly swaying or when the direction handle is swung
    - Check if the pressure of the front tire is the recommended air pressure at room temperature: 250 kPa.
    - If it is lower than the recommended air pressure, the front tire pressure should be inflated to 340 kPa first, and then deflated to 250kPa. If it is otherwise set the front wheel and turn to inspect the tire tread, if it is worn or deformed, the front tire needs to be replaced. If no, continue to operate.
  - Check steering device
    - Set up the front wheel and shake the lower part of the fork by hand to check if the steering shaft is loose or if the left and right rotations are not flexible.
    - Adjust the adjustment nut:
      - Remove the trim nut (1) with a spanner, remove the spacer (2), and remove the bolt (3) with the Allen tool. The direction of the upper board assembly wrapped with a clean cloth and then placed to prevent scratches. Remove the lock washer (4); remove the upper adjustment nut (5) with a special four-jaw shank or hook wrench and remove the pad (6).
      - If the steering resistance is too large, turn the lower adjustment nut (5) counterclockwise. If the brake is slightly swaying or swings, rotate clockwise. The torque is about 14N.m. It is appropriate.
      - When reassembling, the top adjusting nut only needs to be screwed to align with the bottom nut groove, so as not to over-tighten to avoid excessive deformation of the pad (6); the torque requirement of the decorative nut (1) is 100 Nm.
  - Steering bearing
    - If the above operation still can not rule out excessive steering resistance or stuck as follows:
      - Remove the adjusting nut (5), remove the upper dust cover (7), shaft ring (8), and connecting ball (9), remove the directional column & front shock absorber & front wheel assembly, and check the shaft ring and the connecting steel ball for abnormal wear or rust. At the same time, inspect the seat ring (10) in the standpipe in front of the frame for abnormal wear or rust. The newly replaced conjoined steel ball should be evenly greased, pay attention to the amount of grease.
- CAUTION:
- The motorcycle should be fixed before operation. The material should be protected during the disassembly to prevent scratches.
  - If the steering is adjusted too tightly, the steering force will be greater. If the steering is too loose, the front of the motorcycle will be slightly shaken during braking, and adjustments must be made according to the actual needs of the driver.

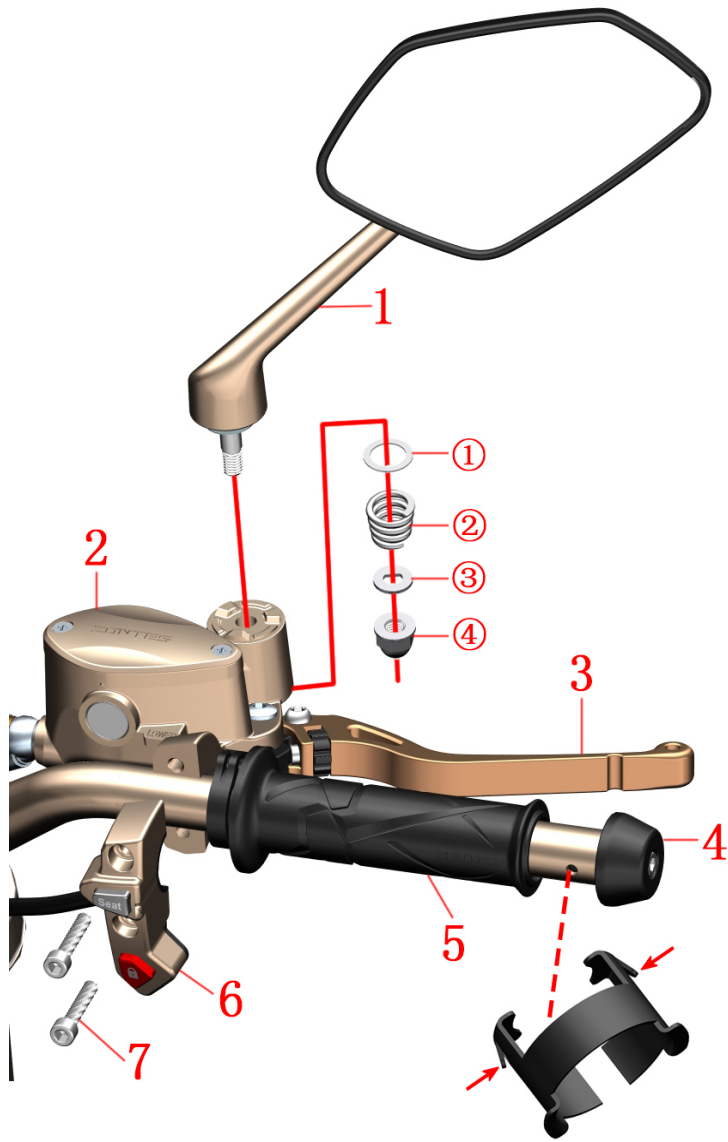



Fig.6 FRONT FORK COMPONENT		Right handlebar component	CHK	
NO.	PART NO.	PART NAME	ADJ	
1	1194100-002000	ZT250-S Right rearview mirror	1	CAUTION
2	1100300-044000	ZT125T Front disc brake main pump component (without handle)	1	
3	1134100-032000	ZT250-R Right Hand Rocker (Machine)	1	
4	1134200-023000	ZT250-R balance block	1	
5	1244100-042000	ZT250-R Right hand rubber sleeve	1	
6	1184200-023000	ZT310-X Right hand switch	1	
7	1250205-031091	GB70.1M6×30 (stainless steel)	2	

## PROCEDURE:

## ●Rearview mirror

Hold the mirror stem in one hand, remove the nut ④ with a sleeve, and remove the small pad ③, the spring ② and the large pad ①. Remove the mirror from the front brake master pump.

## ●Right handlebar to put rubber sleeve, balance block

Push the rubber sleeve (5) with the right handlebar to push forward to expose the upper balance block fixing hole; use the tool to press the convex parts at both ends of the elastic block on the balance block and pull out the balance block assembly (4), and then put the right handlebar. Remove the rubber sleeve (5).

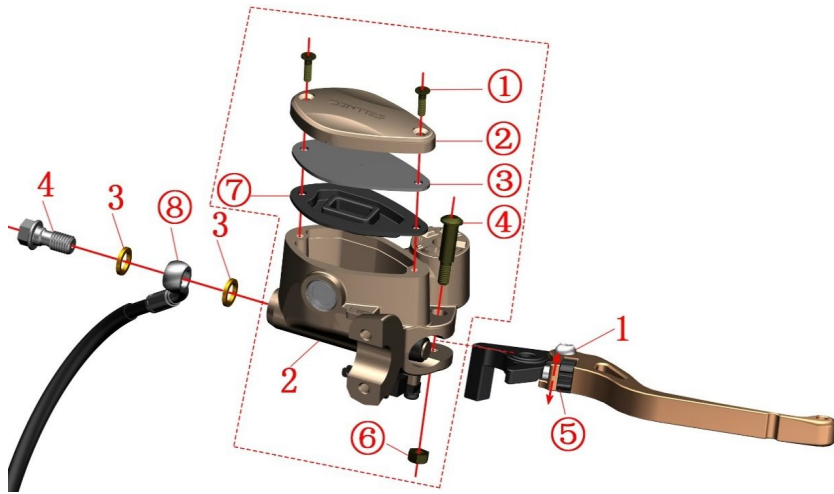
## ●Right handlebar half cover

Hold the front disc brake main pump (2) with one hand, and remove the bolt (7) with the hexagon socket tool. Remove the wire plug connector of the sub switch (6) and pull it out.

## CAUTION:

- The motorcycle should be fixed after horizontal support.
- Periodically check that the fluid level of the brake fluid is between 3/4 of the observation window.
- Do not flush the cup directly with high pressure water.
- When assembling the balance block, align the protruding parts at both ends of the shrapnel with the fixing holes on the handle and then insert the direction into the holes.
- The small spacer of the rear view mirror anti-rotation limit slot needs to be aligned with the slot on the mirror bar bolt.
- The right handlebar refers to the switch to replace the throttle line.
- The joint between the front disc brake main pump and the half cover should be aligned with the right hand to match the triangle on the switch.



**PROCEDURE:**

## ● Front disc brake main pump

Fix the front disc brake main pump, remove the bolt (4) and copper pad (3) with the sleeve, and do not disassemble if it does not need to be replaced. Always replace the tubing connector 8 at a high level to prevent air from entering the tubing and cause brake failure. Also clean oil should be removed to prevent dripping onto parts such as covers or mufflers. After replacement, be sure to continuously hold the swing arm (1) and tap the disc brake main pump (2) to remove a small amount of gas entering the brake oil circuit, and confirm that the brake is returned to normal.

## ● Rocker

Rotating the adjusting nut (5) can adjust the distance between the rocker arm and the handle rubber sleeve to adapt to different driver's feel.

If you need to replace the rocker arm, use a hexagon socket tool to fix the bolt (4). Then use a socket or box wrench to remove the nut (6). Remove the bolt and remove the rocker arm (1).

## ● Add brake fluid


Before driving the motorcycle, check whether the brake fluid level is above the "LOWER" marking. If not, check the brake disc or brake disc for wear and whether there is any oil leakage or oil leakage in the brake system. Abnormal needs to add brake fluid.

The brake fluid can only be added after the motorcycle is fixed horizontally.

Remove the bolt (1) with a Phillips screwdriver and remove the upper cover (2), the cover plate (3), and the seal gasket (7).

Add DOT4 brake fluid to 3/4 of the transparent observation window of the front disc brake master pump.

Be sure to clean the foreign body before reassembling it.

Fig.7 FRONT FORK COMPONENT		Add brake fluid, rocker adjustment	CHK	
			ADJ	
NO.	PART NO.	PART NAME	QTY	CAUTION
1	1134100-032000	ZT250-R Right Hand Rocker (Machine)	1	
2	1100300-044000	Front brake main pump component (without handle)	1	
3	1251513-013000	Disc brake copper washer $\phi 15 \times \phi 10.2 \times 1.5$	2	
4	1251100-112000	Disc brake oil pipe bolt M10×1-22	1	32N.m

**CAUTION:**

- The motorcycle should be fixed after horizontal support and check.
- Periodically check that the fluid level of the brake fluid is at 3/4 of the observation window.
- If the liquid level is under "LOWER", check the brake disc wear and brake system for leaks.
- If you swallow the brake fluid, contact poison control center or hospital immediately; if you get into your eyes, seek medical attention immediately after flushing with clean water.
- Keep brake fluid away from children and pets.
- Do not flush the cup directly with high-pressure water.
- Do not mix water, dust, impurities, and silicic acid or petroleum-based liquids, as this may cause serious damage to the brake system.

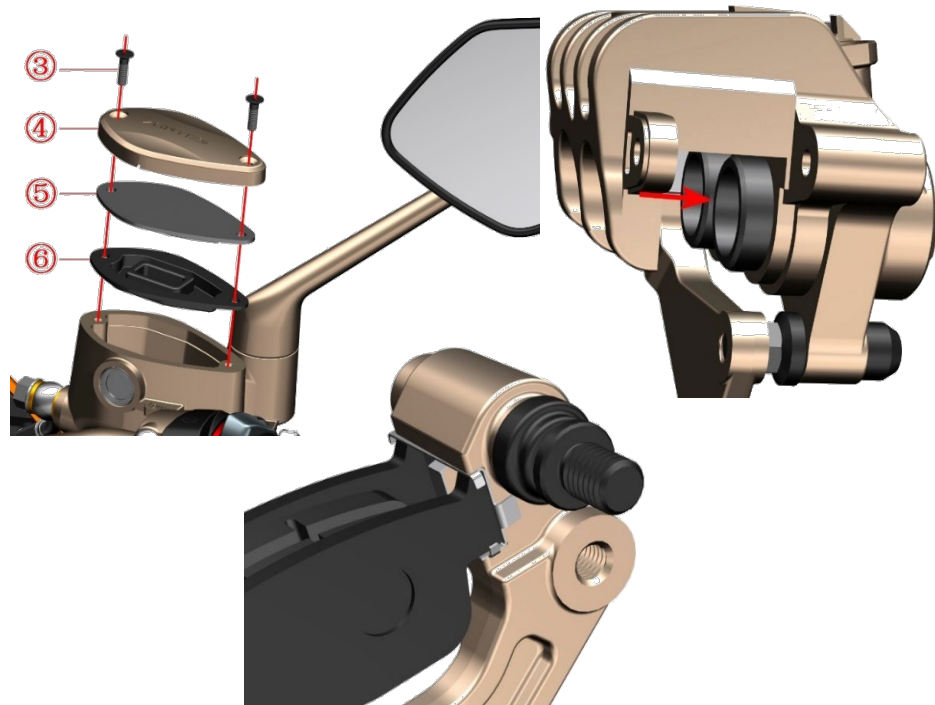
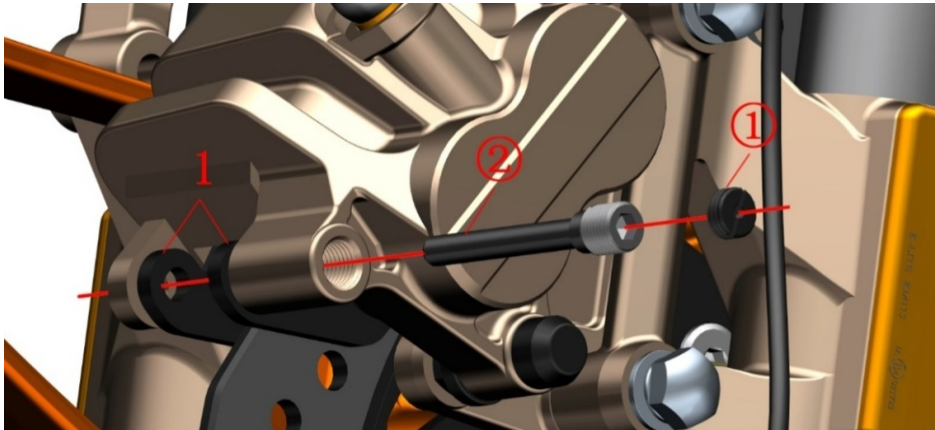


Fig.8 FRONT FORK COMPONENT		Replace the front brake pad	CHK	
			ADJ	
NO.	PART NO.	PART NAME	QTY	CAUTION
1	1100100-091000	ZT250-S Front disc brake pad (H10)	1	after-sales

**PROCEDURE:**

- Replace the front brake pad
  - Use a screwdriver to remove the nut①.
  - Remove pin ② with hexagon tool.
  - Remove the brake pad (1).
  - Clean out foreign matter such as dust on the outer edge of the piston.
  - Use a Phillips screwdriver to remove the bolt ③ on the front brake main pump assembly, remove the top cover ④, cover plate ⑤, and seal gasket ⑥.
  - Push the piston in the direction of the arrow.
  - Restore the front disc brake main pump assembly, it must be accurately assembled in place.
  - Put a new brake pad, be sure to place the brake pad close to the card slot, as shown on the left.
  - Lock the pin ② with the Allen tool.
  - Use a flathead screwdriver to lock the nut①.
  - Repeatedly holding the brake handle until braking force is restored.

**CAUTION:**

- The motorcycle support should be fixed before operation.
- Check the brake discs and brake discs regularly for wear. Regularly check if the brake fluid level in the observation window of the front disc brake master pump is 3/4.
- It is strictly prohibited to disassemble the oil pipe bolts and gas discharge nozzle bolts when replacing the brake pads to prevent air from entering the pipeline and causing brake failure.
- Do not shake the front after disassembling the front brake oil cup cover to prevent the brake fluid from overflowing.
- After replacing the brake pads, the new brake pads should be operated for about 300 km to fully run in order to achieve the best braking effect. Take care to leave enough braking distance during running-in.
- It is recommended to replace brake pads in pairs with qualified maintenance units.

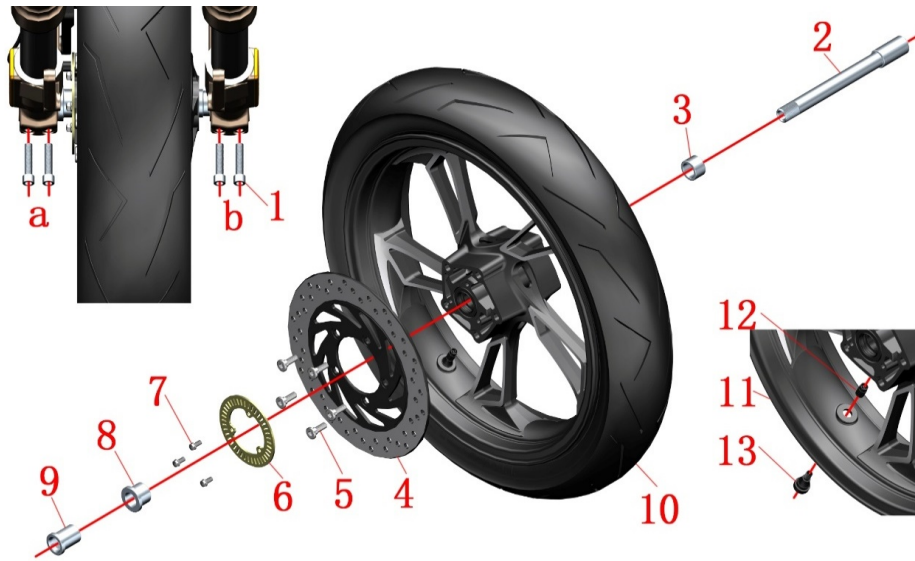


Fig.9 FRONT FORK COMPONENT		Front wheel component	CHK	CAUTION
NO.	PART NO.	PART NAME	ADJ	
1	1250205-023000	GB70.1 Hexagon M8×35 (color zinc)	4	20N.m
2	1094100-033000	ZT250-R Front wheel hollow shaft	1	
3	1094100-008000	ZT250-R Front wheel left sleeve	1	
4	1100100-204000	ZT310-R Front brake disc (260×4.5)	1	
5	1251100-117093	Non-standard internal hexagon bolt M8×25	5	
6	1274100-054000	ABS9 Anti-lock system gear ring	1	
7	1250104-006097	GB16674M6×12 (chromed/HH)	3	
8	1094100-036000	ZT250-R Front right axle sleeve	1	
9	1094100-037000	ZT250-R Front wheel right fixed bushing	1	
10	1230100-479000	110/70R17(CM638R) Environmental vacuum front tire	1	
11	1094200-007000	ZT310-X Black front rim (3.5×17)	1	
12	1230200-006000	HJ100-D Tire valve cap	1	
13	1230100-047000	HJ125-3A Environmental vacuum tire valve (TR-412)	1	

#### PROCEDURE:

##### ●Tire and wheel assembly

Remove the 2 bolts (1) on the left front shock absorber bottom "b" with the Allen tool. Hold the front wheel first and then remove the hollow shaft (2) with the internal hexagon tool, remove the left sleeve (3), and move the front wheel assembly downward to remove the right sleeve (8) and front wheel assembly. Use the hexagonal tool to remove the 2 bolts (1) of the right front shock absorber "a", remove the right fixing sleeve (9).

##### ●Brake disc, ABS ring gear

Remove the bolt (7) with a sleeve and then remove the ABS ring gear (6). Remove the bolt (5) with the hexagon socket tool and remove the brake disc (4).

##### ●Tire and rim assembly

Unscrew the valve cap (12) and use the tool to release the air. Remove the tire (10) with a professional tire extractor. Finally remove the valve (13) with a suitable tool.

#### CAUTION:

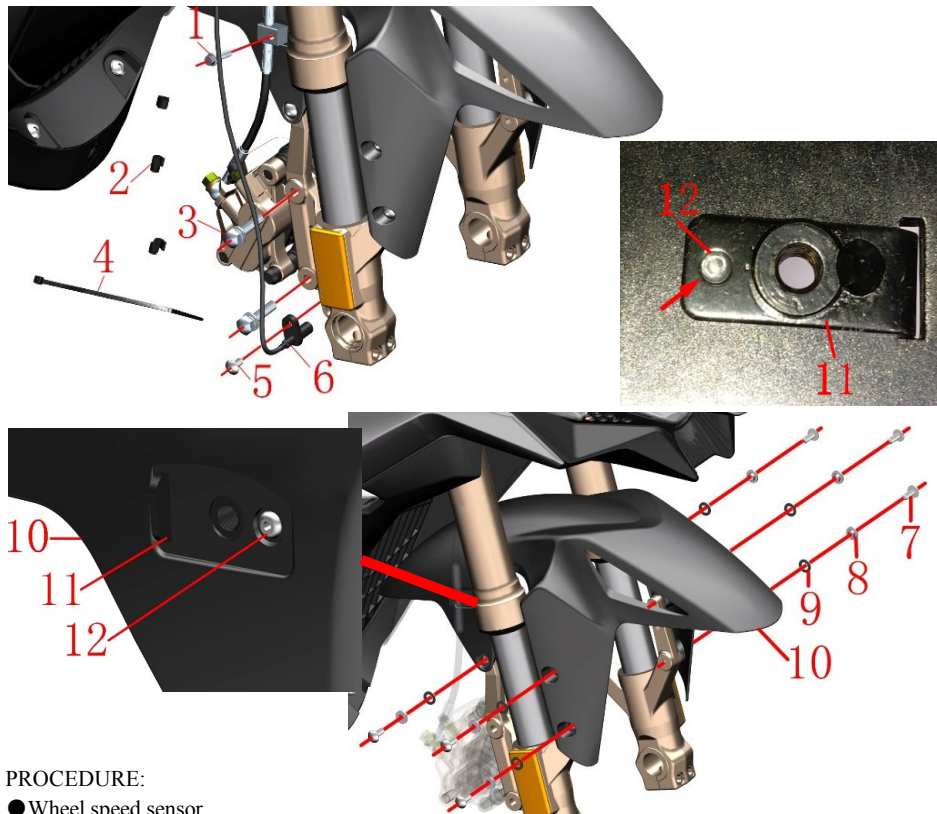
- Use a suitable tool to support the motorcycle to prevent accidents caused by dumping during disassembly.
- Take care when disassembling tires and rims to prevent damage to the material.
- After replacing the tire, check for leaks and balance.
- Unqualified tire repair fluid may corrode rims and cause safety hazards.
- Insufficient tire pressure may cause steering vibration, abnormal wear, etc.; summer tire pressure is too high there is a risk of puncture.
- Maintenance items

**Tires:** The tires should be regularly inspected for cracks, cracks, air pressure, etc. If the tread wear indicator has been worn out, the tire of the same specification type must be replaced. Refer to the relevant content of the manual for details.

**Rim:** Check the rim for any deformation, cracks, etc. Rotate the rim horizontally to check for stuck, oscillating, etc.

**Axle:** Use a dial indicator to check for deformation and bending.

**Brake disc:** After replacing the brake disc, the new brake disc should be operated for about 300 kilometers to fully run in order to achieve the best braking effect. Be careful to leave enough braking distance during running-in.



#### PROCEDURE:

##### ● Wheel speed sensor

Pull out the plug of the wheel speed sensor(6); then remove the clamp(2). Cut the tie (4); remove the bolt (3) and remove the sensor(6).

##### ● Front disc brake caliper

Remove the bolts(1) and (3) so that the caliper will hang down naturally. It is forbidden to invert the caliper to prevent the air from entering and causing the brake to fail.

##### ● Front mudguard

Hold the front mud plate(10) with your hand and then remove the 4 bolts(7) with the hexagonal tool and remove the bushing(8) and cushion rubber(9).

Remove the front mudguard(10).

The inside of the front mudguard can be protected with reticle or double-sided tape around the rivet(12), then the rivet(12) is ground off with a small sander, and then the rivet(12) and the fixing seat(11) are removed.

Fig.10 FRONT FORK COMPONENT		Front mudguard & wheel speed sensor component	CHK	CAUTION
			ADJ	
NO.	PART NO.	PART NAME	QTY	
1	1251100-061093	M6×22 Hex flange face full thread bolt	1	
2	1224100-044000	Wheel speed sensor clamp	3	
3	1251100-080094	Non-standard bolt M8×37 (color zinc)	2	
4	1224100-051000	0 Flame retardant tie (black 2.5×100)	1	
5	1251100-101000	Non-standard bolt M6×12 (304 stainless steel)	1	
6	1184200-045000	DF30 wheel speed sensor	1	
7	1251100-102000	Non-standard bolt M6×16 (304 stainless steel)	6	
8	1274100-057095	Bush φ6.2×φ8.4×3.5+φ14×1.5	6	
9	1244100-052000	Gum cushion, bush (φ8.5×φ14×1)	6	
10	4044201-383063	ZT310-X bright blue front mud board component	1	
	4044201-386001	ZT310-X pearl white front mud board component		
	4044201-384021	ZT310-X special black front mud board component		
	4044201-388051	ZT310-X basalt lime front mud board component		
	4044201-385051	ZT310-X deep bright gray front mud board component		
	4044201-387011	ZT310-X ruby red front mud board component		
11	1274200-038000	ZT310-X Front mudguard front oil pipe fixing seat	1	
12	1250402-001091	GB12615φ3×10	1	

#### CAUTION:

- The motorcycle support should be fixed during the disassembly process to prevent accidents caused by incline.
- Disassemble the oil pipe clamp and the sensor wire clamp should pay attention to the strength.
- Pay attention to the strength when disassembling the front mud plate to prevent scratching the paint surface.
- Rivets need to be assembled with professional tools.
- The mudguard component has been included Front mudguard front oil pipe fixing seat(11) and Rivet(12).

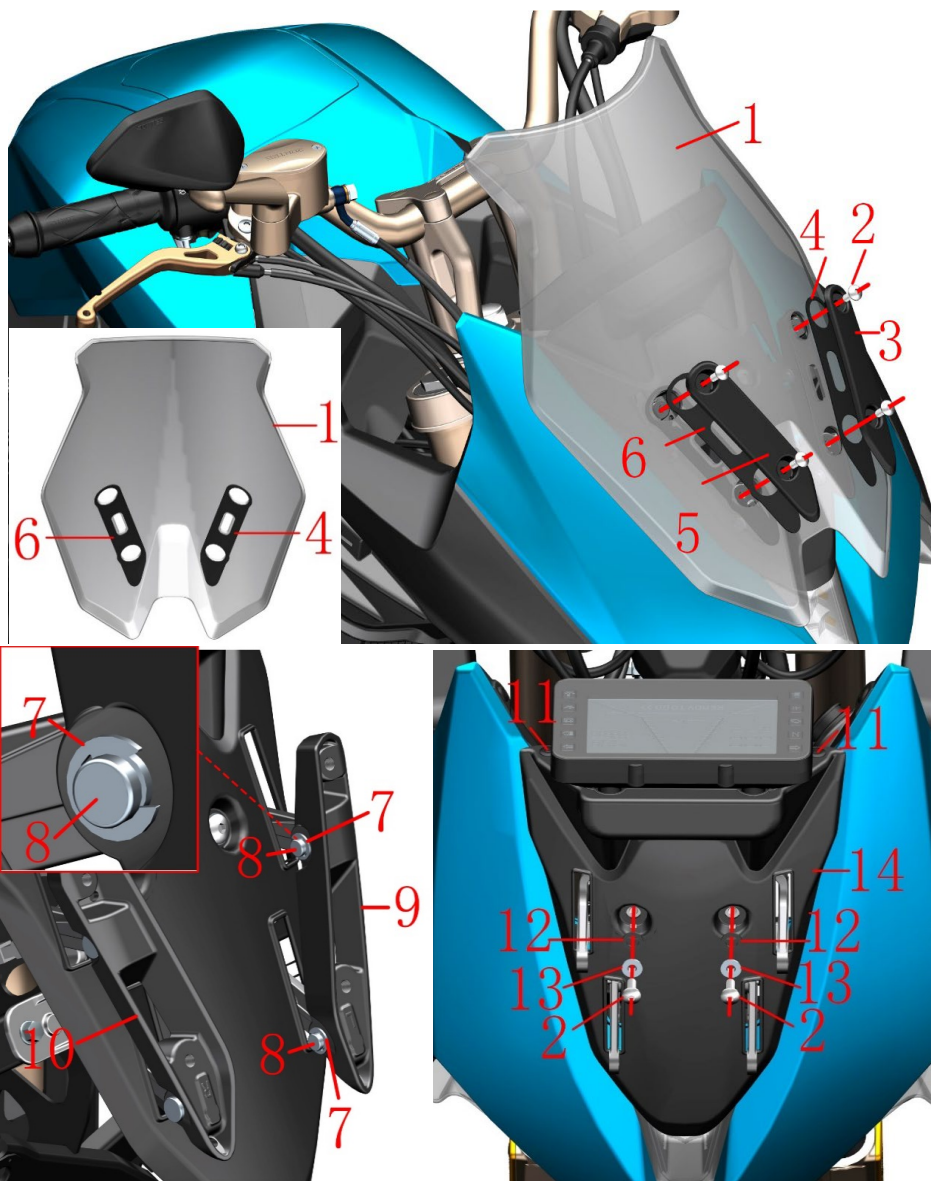


Fig.11 FRONT FORK COMPONENT		Windshield assembly	CHK	CAUTION
			ADJ	
NO.	PART NO.	PART NAME	QTY	
1	1224200-052000	ZT310-X windshield	1	<b>【1】</b>
2	1251100-102000	Non-standard bolt M6×16 (304 stainless steel)	6	
3	1224200-050000	Left pressing block on ZT310-X windshield	1	
4	1244200-028000	ZT310-X windshield on the left press block rubber	2	after-sales
5	1224200-051000	Right pressing block on ZT310-X windshield	1	
6	1244200-029000	Right pressure block rubber on ZT310-X windshield	2	after-sales
7	1264100-006000	ZT250-S pedal circlip	4	
8	1274200-030000	ZT310-X windshield lower pressing block rotating shaft	4	
9	1274200-046000	ZT310-X windshield lower left block	1	
10	1274200-047000	ZT310-X windshield right right pressure block	1	
11	1224100-010000	ZT250-S expansion nail	2	
12	1244100-052000	Cuff bushing cushioning rubber (φ8.5×φ14×1)	2	
13	1274100-057095	Flanging bushing φ6.2×φ8.4×3.5+φ14×1.5	2	
14	1224200-049000	ZT310-X windshield liner	1	

## PROCEDURE:

## ●windshield assembly

Hold the windshield(1), remove the 4 bolts(2), and remove the upper left clamp (3) and the upper right clamp(5). Remove the windshield assembly.

The upper left pressing block rubber(4) and the upper right pressing block rubber(6) on the front side of the windshield are heated and softened by a heat gun, and then torn off, and the residual glue is cleaned.

Remove the clamp rubber on the back of the windshield as described above.

## ●Windshield press block assembly

Hold the lower left clamp(9) and use the tool to push the circlip(7) out, then remove the rotary shaft (8). Remove the lower left clamp(9).

Remove the right clamp (10)as described above.


## ●Windshield liner assembly

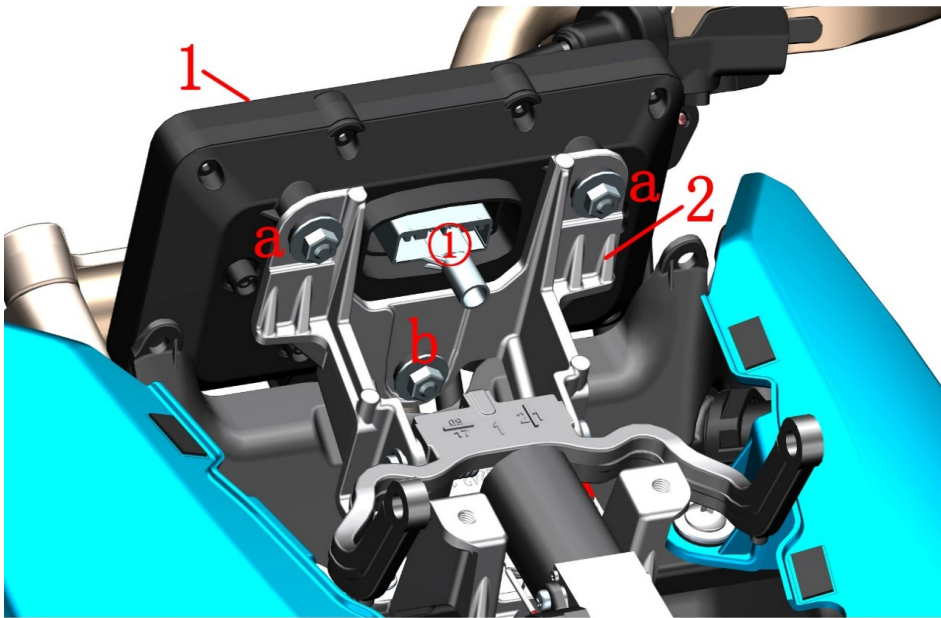
Use a small Phillips screwdriver to push down the center of the expansion pin and remove the 2 expansion pins (11).

Hold the windshield liner(14), remove the bolt(2), and remove the bushing (13) and cushion rubber (12). Remove the windshield liner.

## CAUTION:

- When removing the rubber block, move the hot air gun back and forth. It is forbidden to blow the windshield when the high temperature is right or the distance is too close or for a long time.
- The windshield should be protected during the disassembly process to prevent scratches.
- The circlip is small, keep it in good condition during the disassembly process, and prevent it from falling into the vehicle interior.
- The windshield lifting instructions are detailed in the driver's manual.
- **【1】** The windshield already contains left press block rubber(4) and right press block rubber(6).

Fig.12 FRONT FORK COMPONENT		Electronic Instrument	CHK	
NO.	PART NO.	PART NAME	ADJ	
1	1164200-001000	ZT310-X electronic instrument	1	CAUTION
2	1274200-053000	ZT310-X windshield base bracket	1	



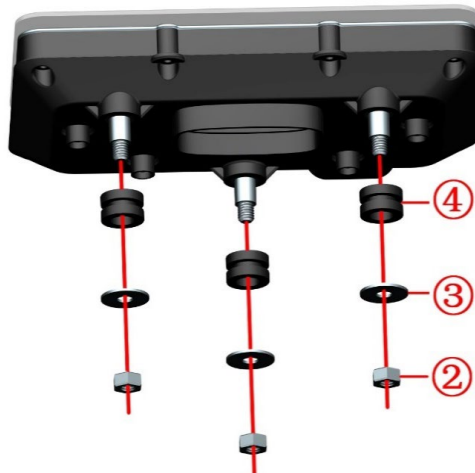
## PROCEDURE:

## ● Meter

First remove the two nuts ② on the front of the meter "a" with a wrench and remove the spacer ③. Remove the rubber caps ① and pull out the meter cable connector by pressing the buckle indicated by the arrow. Remove the nut ② at the back of the meter "b" and remove the spacer ③. Gently shake left and right and then lift up and lift the meter (1) off the windshield base bracket (2). Remove the cushion rubber ④ from the windshield base bracket (2).

## CAUTION:

- Protect protective measures to prevent scratching the instrument lens.
- Do not pull the cable directly when unplugging the meter connector ①.
- Remove the windshield and windshield lining according to the procedure on the previous page.



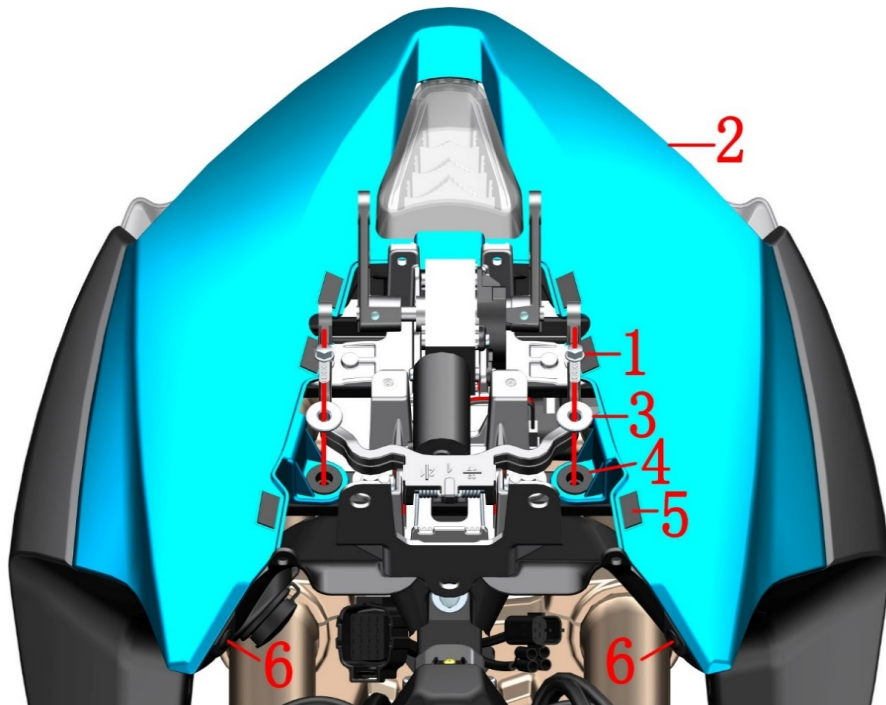
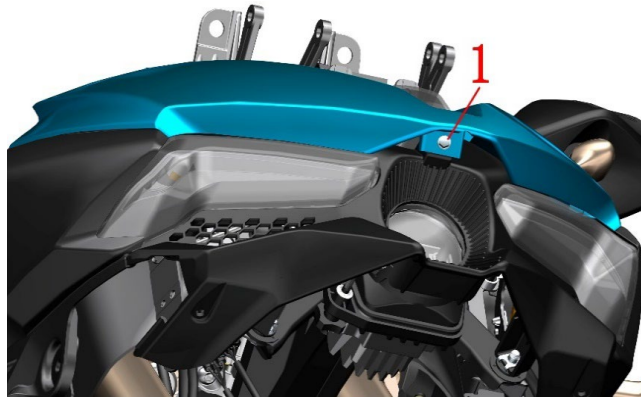


Fig.13 FRONT FORK COMPONENT		Head cover panel assembly	CHK	CAUTION
			ADJ	
NO.	PART NO.	PART NAME	QTY	
1	1251112-001093	M6×16 hex flange bolt (environmental color zinc)	3	
2	4044201-001064	ZT310-X bright blue hood panel	1	
	4044201-050001	ZT310-X pearl white hood panel		
	4044201-040021	ZT310-X special black hood panel		
	4044201-066051	ZT310-X Xuanwu lime hood panel		
	4044201-096015	ZT310-X gemstone red hood panel		
	4044201-040051	ZT310-X deep gray hood		
3	1274100-007000	ZT250-S flanged bushing( $\phi 6.4 \times \phi 9 \times 6 + \phi 20 \times 2$ )	2	
4	1244100-004000	ZT250-S Flanging Bushing Buffer	2	
5	1244100-081000	Black foam single-sided tape	1	<b>【1】</b>
6	1224100-010000	ZT250-S expansion nail	2	

## PROCEDURE:

## ● Head cover panel assembly

Use a small Phillips screwdriver to push down the center of the expansion pin and remove the 2 expansion pins (6).

Remove the bolt(1) at the bottom of the hood panel.

Remove the 2 bolts(1) at the top of the hood panel and remove the bushing(3).

Grasp the two sharp corners near the expansion pin(6) and gently remove the hood panel(2) from side to side.

Remove the black tape (5) from the hood panel(2). The black foam tape is 1 meter long. Use only a small amount to cut the short 6 points. The rest can be used to connect other covers to prevent abnormal noise.

Remove the cushion rubber (4) from the hood panel(2).

## CAUTION:

- Protect protective measures to prevent scratching the paint surface.
- Pay attention to the force when opening the buckle to prevent the buckle from breaking due to excessive force.
- **【1】** Black foam single-sided tape width 1cm long 1m thick 2mm.

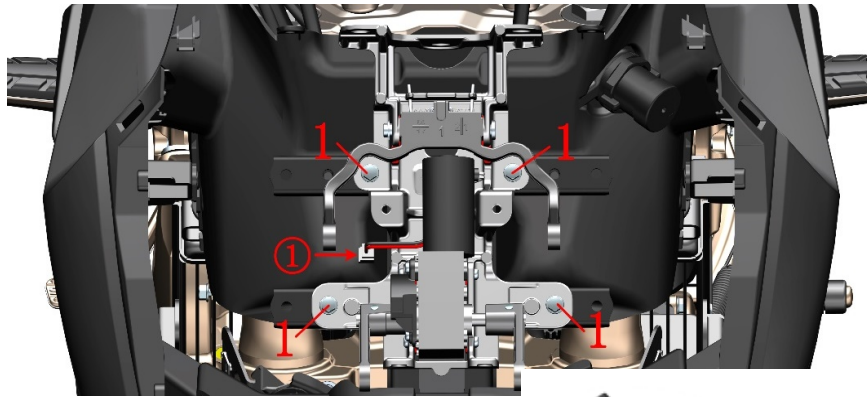
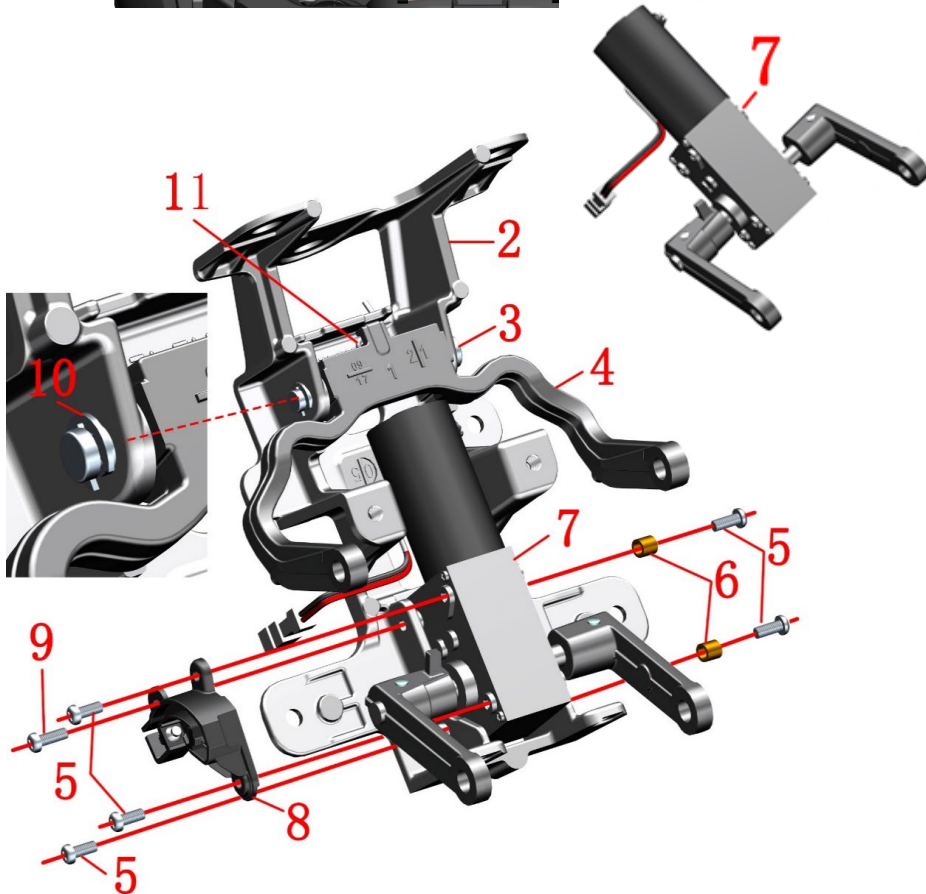


Fig.14 FRONT FORK COMPONENT		Windshield base assembly	CHK	CAUTION
NO.	PART NO.	PART NAME	ADJ	
1	1251112-001093	M6×16 hex flange bolt (environmental color zinc)	4	
2	1274200-053000	ZT310-X windshield base bracket	1	
3	1274200-029000	ZT310-X windshield rocker bracket rotation axis	1	
4	1274200-054000	ZT310-X windshield rear rocker bracket	1	
5	1250201-038000	GB818 cross recessed pan head screw M4×10	4	
6	1251700-114000	φ4×φ6×5.5 copper sleeve	2	【1】
7	1184200-071000	ZT310-X windshield motor component	1	
8	1184200-011000	ZT310-X windshield motor limit switch	1	
9	1250201-039000	GB818 cross recessed pan head screw M4×12	1	
10	1264100-006000	ZT250-S pedal circlip	1	
11	1260100-127000	ZT310-X windshield rear rocker torsion spring	1	



## PROCEDURE:

## ● Windshield base assembly

Locate the plug 1 of the windshield motor and remove the 4 bolts(1) and remove the windshield base assembly. Remove the retaining spring(11) with the tool and grasp the rear rocker bracket(4) to remove the rotating shaft (3) and the torsion spring (11). Remove the rear rocker bracket.

Remove the screws(9) and 2 screws(5) on the right side of the motor with the phillips screwdriver, and remove the limit switch(8).

Remove the remaining three screws(5) with a phillips screwdriver, separate the windshield motor(7) from the base bracke(2) and remove the copper sleeve(6).

## CAUTION:

- Do not pull the cable directly when pulling the plug.
- 【1】 Increased since August 24, 2018, if the original windshield pedestal bracket without copper sleeve need to be replaced, be sure to buy two copper sleeves at the same time. Installation should first install the right side (limit switch side), and then put in the left copper sleeve after tightening the left bolt.



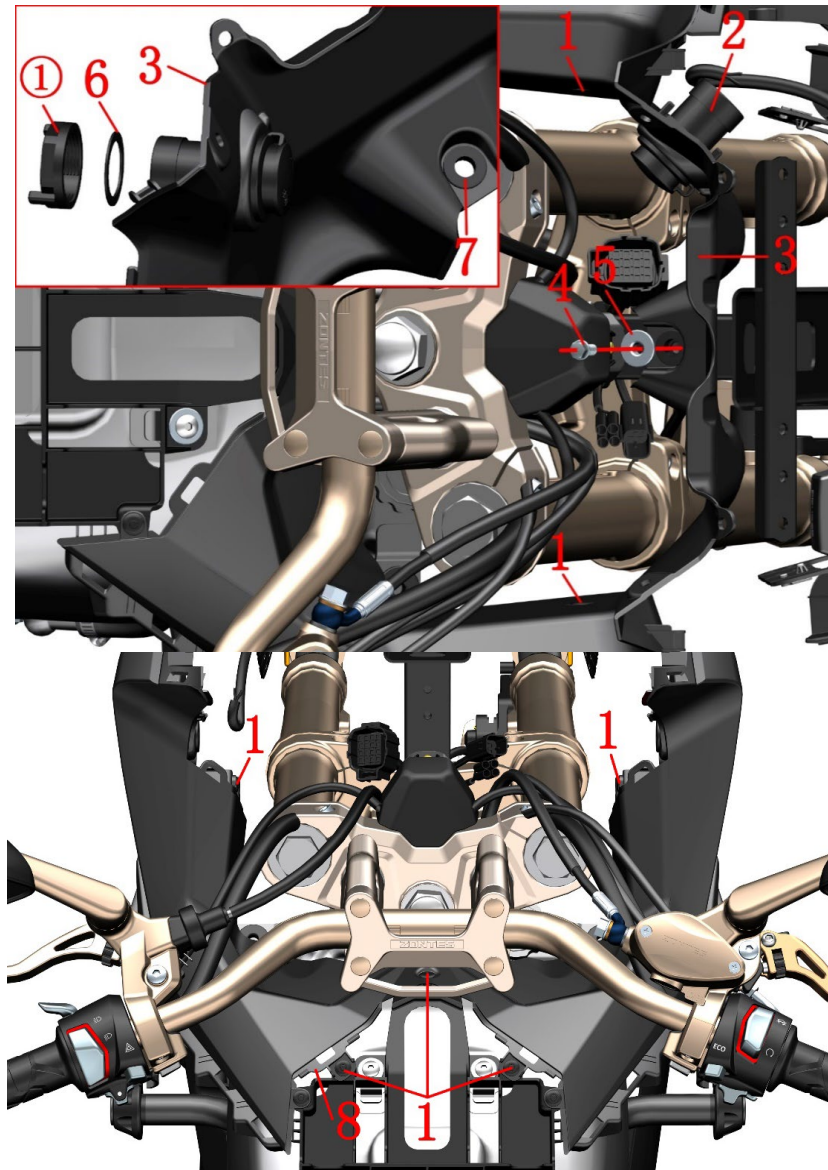


Fig.15 FRONT FORK COMPONENT		Surrounding interior components	CHK	⚠
NO.	PART NO.	PART NAME	ADJ	
1	1224100-010000	ZT250-S expansion nail	5	
2	1184200-100000	ZT310 dual-port universal USB charging cable	1	dual-port
	1184200-014000	ZT310-R universal USB charging cable		single port
3	1224200-046000	ZT310-X head surrounds the front interior	1	
4	1251112-001093	M6×16 hex flange bolt (environmental color zinc)	1	
5	1274100-007000	ZT250-S flanged bushing(φ6.4×φ9×6+φ20×2)	1	
6	1244100-015000	ZT250-S adjustment nut pad	1	
7	1244100-004000	ZT250-S Flanging Bushing Buffer	1	
8	1224200-026000	ZT310-X head surrounded by rear interior	1	

## PROCEDURE:

## ●Front enclosure interior components

Use a small Phillips screwdriver to push down the center of the expansion pin and remove the 2 expansion pins (1).

Locate and unplug the USB charging cable(2).

Remove the bolt(4) and remove the bushing(5).

Hold the left envelop in one hand and gently sway back and forth from the left side of the interior to the back of the car in the first hand. Separate the front enclosure interior assembly from the rear enclosure interior component.

Grasp the front enclosure components, remove the nut 1 from the USB charging cable(2), and remove the rubber pad (6)and the cushion rubber(7). Since Oct.16 2018 cancel rubber pad(6).

## ●Rear enveloping interior components

Use a small Phillips screwdriver to push down the center of the expansion pin (as shown in Figure c) and remove the 3 expansion pins(1). Come back slightly after shaking and surround the interior(8) and take off after loosening.

## CAUTION:

- Do not pull the cable directly when pulling the plug.
- Pay attention to the force when opening the buckle to prevent the buckle from breaking due to excessive force.
- Single port and dual port USB charging cable can be interchangeable.It's recommended to switch the single port USB charging cable to a dual port USB charging cable.



Single port



Dual-p

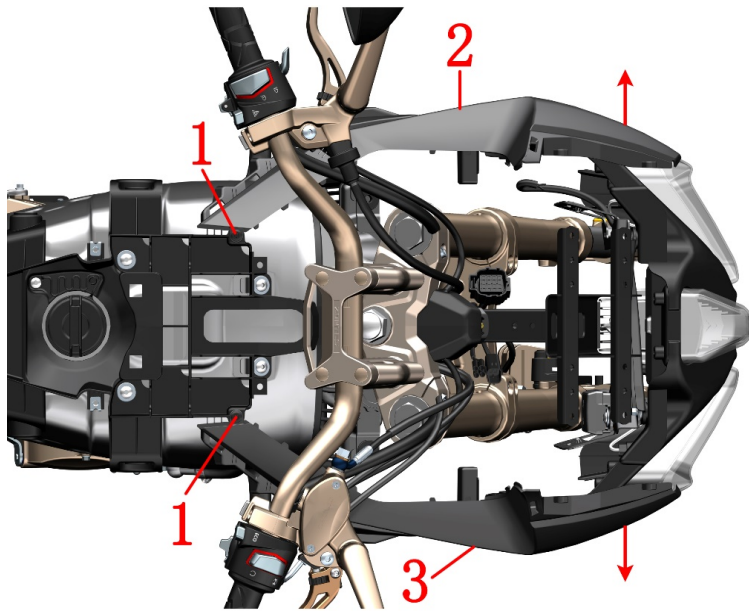


Fig.16 FRONT FORK COMPONENT		Left and right hood assembly		CHK	
NO.	PART NO.	PART NAME	QTY	CAUTION	
1	1224100-010000	ZT250-S expansion nail	2		
2	1224200-024000	ZT310-X hood left	1		
3	1224200-025000	ZT310-X hood right side	1		
4	1244100-002000	ZT250-S side cover round glue	2		

#### PROCEDURE:

##### ●Left hood assembly

Use a small Phillips screwdriver to push down the center of the expansion pin (as shown in Figure c) and remove the expansion pin(1).

Grab the head with one hand and pull the middle of the hand in the direction of the arrow to remove the left part of the hood.

Remove the side cover round rubber(4)from the left part(2) of the hood.

##### ●Right hood assembly

Remove the right side cover(3)and the side cover round rubber(4) as described above.

#### CAUTION:

●Pay attention to the strength and direction when opening the staples to prevent the buckle from breaking due to excessive force.

●Figure a is the unmounted state; Figure b is the assembled state; Figure c is the disassembled state.



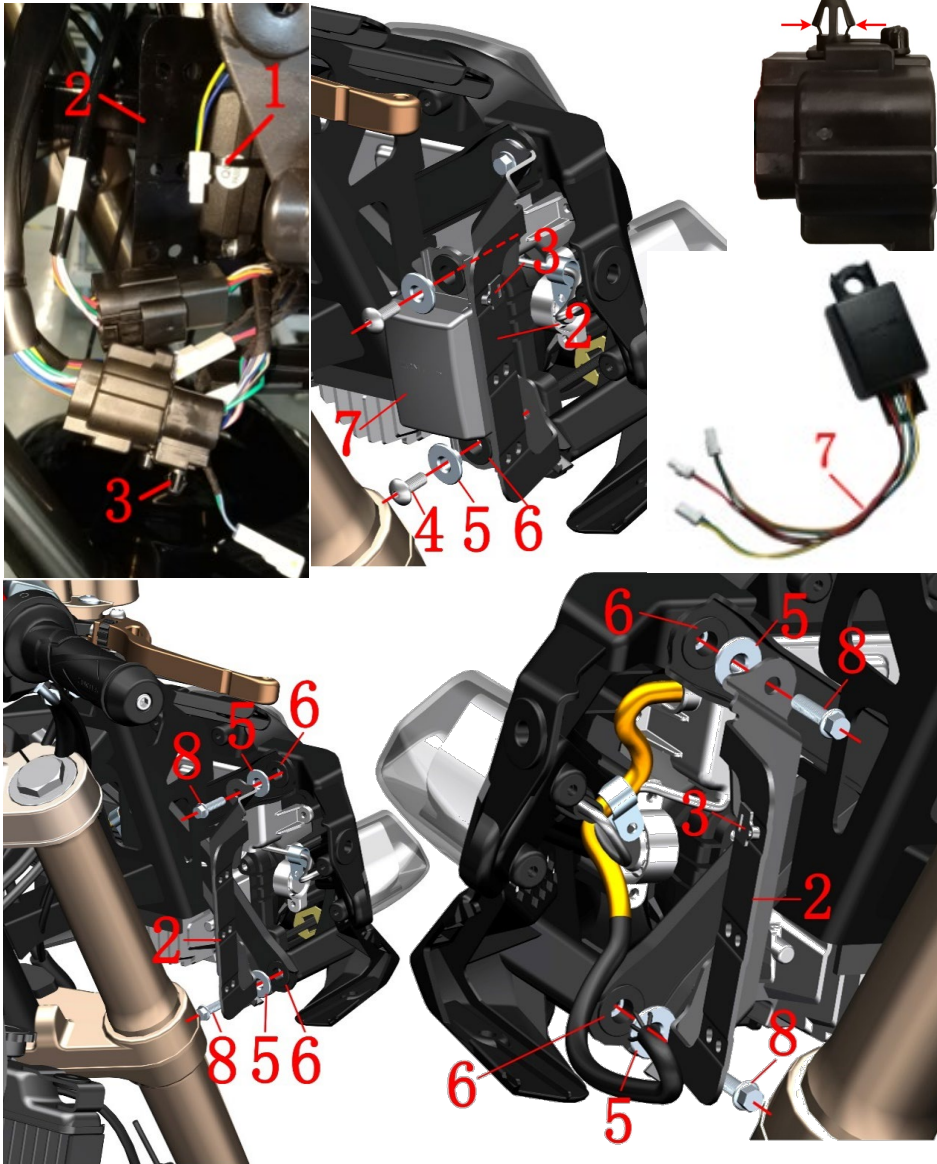


Fig.17 FRONT FORK COMPONENT		Motor controller, headlight assembly	CHK	CAUTION
			ADJ	
NO.	PART NO.	PART NAME	QTY	
1	1224100-037000	0 grade flame retardant cable tie (black 3.6×295)	5	
2	1274200-039000	ZT310-X head line plug fixing bracket	2	
3	1224200-008000	ZT310-R line card nail	2	
4	1251100-102000	Non-standard bolt M6×16 (304 stainless steel)	2	
5	1274100-007000	ZT250-S flanged bushing(φ6.4×φ9×6+φ20×2)	6	
6	1244100-004000	ZT250-S Flanging Bushing Buffer	6	
7	1184200-013000	ZT310-X windshield motor controller	1	
8	1251100-061093	M6×22 hex flange face full thread bolt	4	

## PROCEDURE:

## ● Motor controller assembly

Cut the motor controller(7) and the cable tie(1) of the two-wire plug mounting bracket(2).

The line card staples(3)are compressed in the direction of the arrow and pushed out from the fixing bracket(2). If you need to remove the staples, use the pliers to clamp the cylindrical part of the staples and pull them diagonally toward the umbrella boss.

Unplug all connectors of the motor controller and headlights.

Remove the bolt(4), remove the bushing(5) and remove the motor controller(7).

Remove the cushion rubber(6)from the motor controller(7).

## ● Headlight assembly

Hold the bottom of the headlights, first remove the bolts(8) on one side, remove the fixing brackets(2); then remove the other side. Then remove the headlight assembly.

Remove the four bushings(5) from the headlight assembly and remove the four pieces of cushioning rubber(6) from the frame.

## CAUTION:

● Do not pull the cable directly when pulling the plug.

● The lamp cover should be protected during the disassembly process to prevent scratches.

● Before reassembling, check whether the waterproof rubber ring in the plug is missing or whether the stylus is bent.



Fig.18 FRONT FORK COMPONENT		Headlight assembly	CHK	CAUTION
			ADJ	
NO.	PART NO.	PART NAME	QTY	
1	1224200-063000	ZT310-X headlights protection shell	1	
2	1244100-002000	ZT250-S side cover round glue	2	
3	1251300-063093	Splint M6×11×15 (environmental color)	5	
4	1251200-045000	ZT310-X headlight self tapping screw (st4X12)	20	
5	1224200-104000	ZT310-X headlight rear cover plate	1	
6	1184200-052000	ZT310-X headlight harness	1	
7	1174200-024000	ZT310-X headlight spotlight driver	1	
8	1174200-025000	ZT310-X headlight regulator assembly	1	
9	1174200-017000	ZT310-X headlight position light	1	
10	1174200-015000	ZT310-X headlight left daytime running light	1	
11	1174200-018000	ZT310-X headlight spotlight	1	
12	1174200-016000	ZT310-X headlight right daytime running light	1	

## PROCEDURE:

## ● Headlight assembly

Remove 2 pieces of side cover round glue and 5 pieces of splint (3) from the headlights protective shell (1).

## ● Headlights after sale parts

Remove 2 self tapping screws(4) from the back of the headlight protection shell(1). Remove the rear cover plate (5).

Unplug the wire harness connector(6) from other lamps and remove it.

After removing the self tapping screws(4), pull the driver(7) out and pull off the plug connected with the spotlight(11).

Remove the tapping screws(4) of the corresponding lamps and lanterns, and remove the regulator assembly(8), position lamp(9), left daylight lamp(10), spotlight(11) and right daylight lamp(12) respectively.

## CAUTION:

- Do not pull the cable directly.
- The lamp cover should be protected during the disassembly process to prevent scratches.

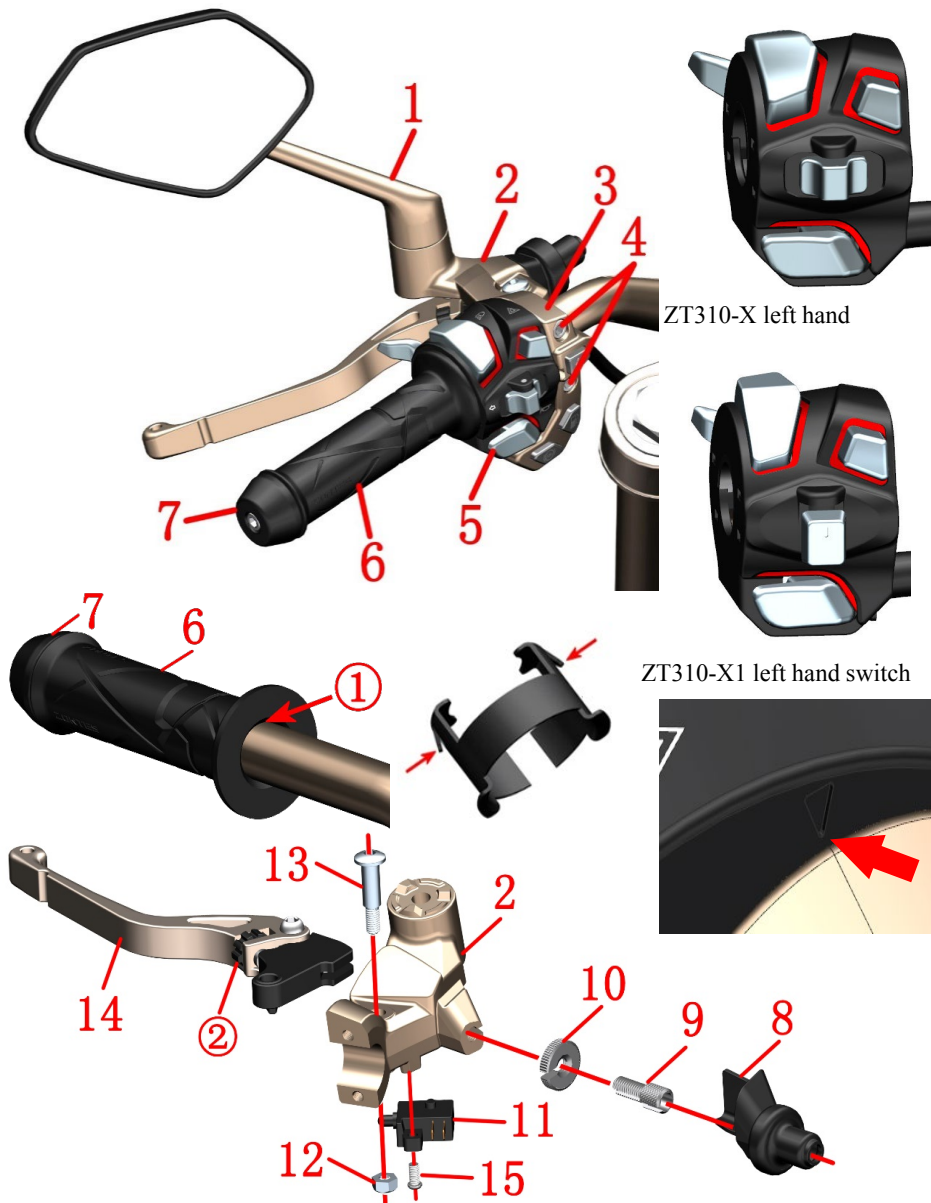


Fig.19 FRONT FORK COMPONENT		Left hand component	CHK	CAUTION
NO.	PART NO.	PART NAME	ADJ	
1	1194100-001000	ZT250-S left rear view mirror	1	
2	1134100-034000	Left handle rocker arm(without switch/adjusting screw)	1	
3	1184100-106000	ZT310-X left handle bar auxiliary switch	1	
4	1250205-031091	GB70.1M6×30 (stainless steel)	2	
5	1184200-066000	ZT310-X left hand switch (clutch line length 100)	1	out of stock
	1184200-141000	ZT310-X1 left hand switch		new
6	1244100-041000	ZT250-R left hand rubber sleeve	1	
7	1134200-023000	ZT250-R balance block	1	
8	1244100-096000	ZT250-R protective rubber sleeve	1	
9	1251100-249000	ZT250-R clutch rocker arm adjusting screw	1	
10	1251300-079000	T250-R clutch rocker arm lock nut	1	
11	1184200-170000	ZT310-V Clutch switch	1	
12	1251300-073000	GB/T6185 nut M6	1	
13	1251100-198000	Non-standard bolt M6×13-φ8×20	1	
14	1134100-031000	ZT250-R Left handle rocker (Machine)	1	
15	1250201-039000	GB818 cross recessed pan head screw M4×12 (color zinc)	1	

## PROCEDURE:

- left rear view mirror, left switch, rocker arm

Remove the clutch line by referring to the "Replace Clutch Line" procedure. Remove the left rear view mirror(1), rocker base(2), left sub switch(3), bolt(4), left switch(5), and rocker arm(8) by referring to the steps in "Right Handle Assembly" and "Add Brake Fluid, Adjusting Rocker Arm".

- Left hand rubber sleeve and balance block assembly

Use a blow gun to blow the left hand grip① between the rubber sleeve(6) and the direction handle tube while moving the rubber sleeve inward until the balance block positioning hole is exposed.

Use the tool to press the convex part at both ends of the elastic piece on the balance block and pull out the balance block assembly(7).

Use a blow gun to blow the left hand grip(6) and the direction between the tubes, and move the outer sleeve to remove the left hand grip(6).

- Replace the left hand rocker arm and clutch switch

Take off the rubber sleeve(8), then remove the adjusting screw(9) and the lock nut (10).

Fix the bolt(13) then remove the nut(12), remove the bolt and remove the left-hand rocker arm(14). First remove the clutch switch plug, then use a cross screwdriver to remove the bolt (15), remove the clutch switch(11). Rotate the adjusting nut ② to adjust the distance between the rocker arm and the left handle to adjust the rubber sleeve to adapt to different driver's hand feeling.

## CAUTION:

- The ZT310-X left handlebar switch has been out of stock, it can be replaced as ZT310-X1 left handlebar

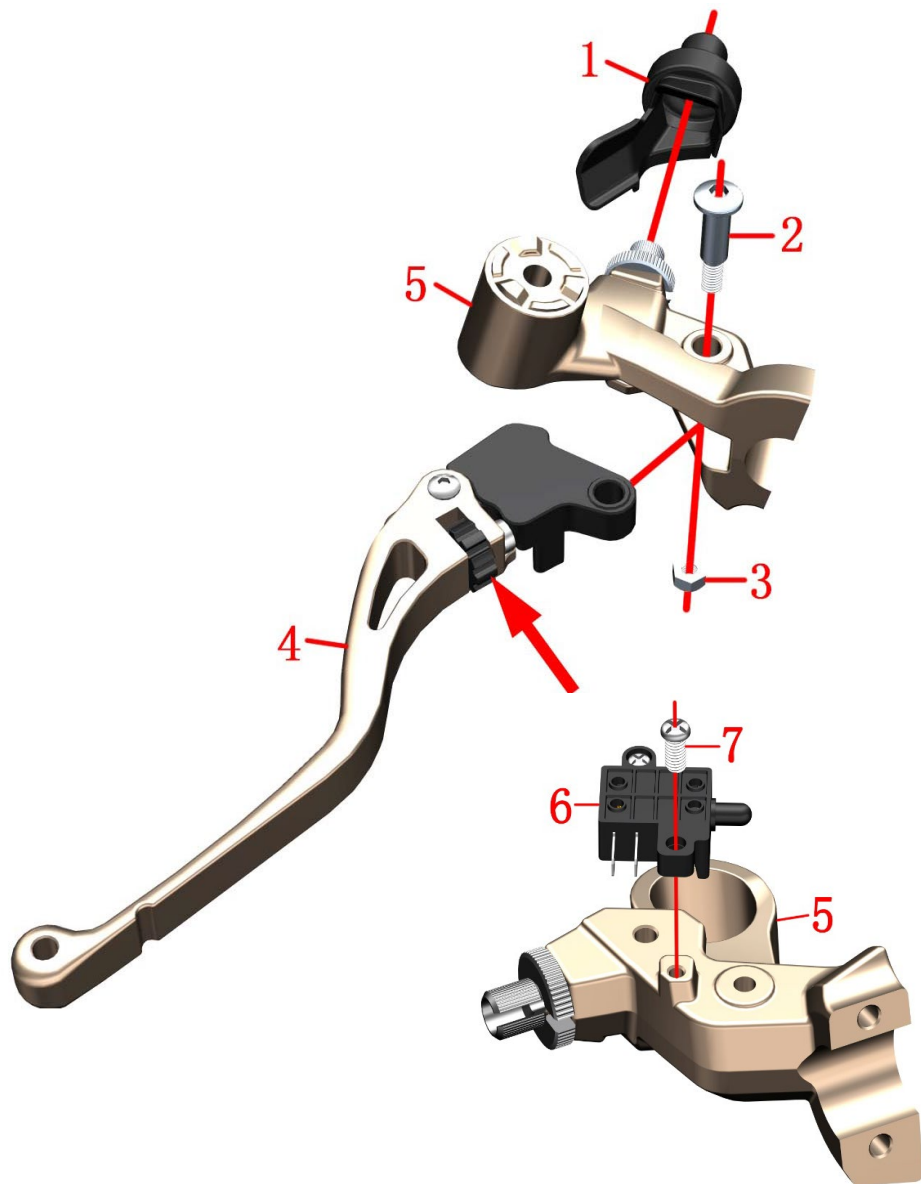



Fig.20 FRONT FORK COMPONENT		New states left hand rocker arm component	CHK	
			ADJ	
NO.	PART NO.	PART NAME	QTY	CAUTION
1	1244200-046000	ZT310—V protective rubber sleeve	1	
2	1251100-198000	Non-standard bolt M6×13—φ8×20	1	
3	1251300-073000	GB/T6185 nut M6	1	
4	1134200-010000	ZT310-V left hand rocker arm (machine plus)	1	
5	1134200-011000	ZT310-V left hand rocker arm component	1	
6	1184200-170000	ZT310—V clutch switch	1	
7	1250201-039000	GB818 cross recessed pan head screw M4×12 (color zinc)	1	

## PROCEDURE:

- Replace the left hand rocker arm and clutch switch

Fix the bolt(2) with a hexagonal tool, then remove the nut(3) with a sleeve or a wrench, remove the bolt(2) and then remove the left hand rocker arm(4).

First unplug the clutch switch, then remove the bolt (7) with a Phillips screwdriver and remove the clutch switch (6).

The rotation adjustment nut can adjust the distance between the rocker arm and the left hand rubber sleeve to adapt to the feel of different drivers.

## CAUTION:

- The vehicle should be fixed before operation
- The disassembly and assembly of the clutch line is carried out according to the step of adjusting the clutch cable.
- Press during reassembly: the left hand grip rubber sleeve - balance block - switch - left hand rocker arm - left rear view mirror. Note the triangle symbol on the rocker arm assembly and the left hand switch(7) seam alignment switch.
- Other parts of the disassembly details of the previous page.

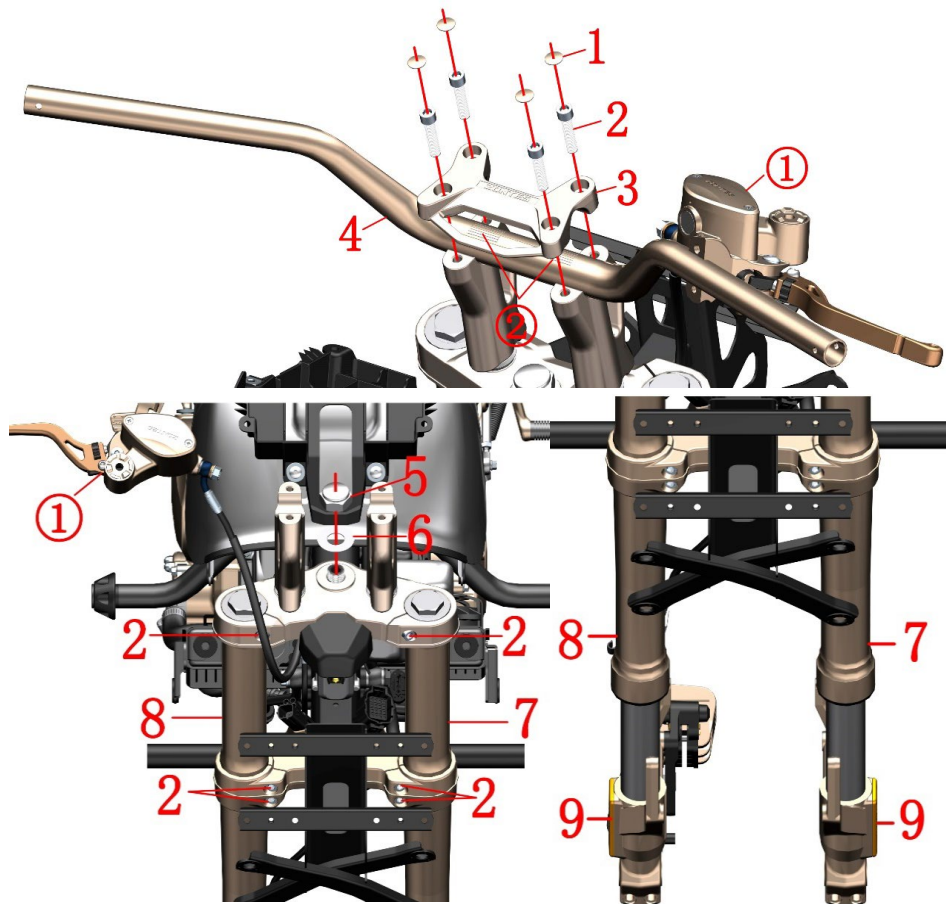


Fig.21 FRONT FORK COMPONENT		Direction handle, upper plate, front shock absorbing assembly	CHK	CAUTION
			ADJ	
NO.	PART NO.	PART NAME	QTY	
1	4044102-001051	ZT250-SM8 bolt decorative buckle	4	
2	1250205-023000	GB70.1 M8×35 (environmental color zinc)	10	
3	1134200-005000	ZT310-R direction press block (homemade)	1	
4	1134200-003000	ZT310-R direction	1	
5	1251300-045000	ZT250-S upper plate decorative nut (chrome plated)	1	
6	1251500-050000	upper plate gasket φ18.5×φ39×1 (chrome plated)	1	
7		Front left shock absorption	1	
8		Front right shock absorption	1	
9	1174100-001000	ZT250-S reflector	2	after-sales

## PROCEDURE:

## ● Directional components

Use a blade to pick up the decorative buckle (1), hold the direction handle (4) in one hand, and remove the bolt (2) with a hexagonal tool in one hand; remove the clamp (3) and finally remove the direction handle (4).

## ● Uplink board assembly

Locate the faucet lock plug and remove it; remove the nut (5) and remove the shims (6). Remove the upper plate bolts (2).

## ● Front left and right shock absorption

Remove the bolts (2) on the lower link, and hold the shock absorber in the middle with one hand. Insert a slotted screwdriver into the slot of the upper and lower plates to slightly enlarge the slot clearance, and disassemble the left shock absorber (7) and the right shock absorber (8). under. Remove the upper plate assembly.

## ● Reflecting film

The reflector (9) is for replacement after sale (no shock reduction). The heat-reflecting sheet can be moved back and forth by a hot air blower to reduce the viscosity of the double-sided adhesive after being heated, and the residual glue should be cleaned after removing the reflector.

## CAUTION:

- The vehicle support should be fixed during the disassembly process to prevent accidents caused by dumping.
- The front disc brake main pump 1 should always be in the high position during the disassembly process. It is forbidden to invert or dump to prevent air from entering the brake oil circuit.
- Use a flat-blade screwdriver to enlarge the gap between the upper and lower joint plates without applying excessive force to avoid damage.
- The direction of the upper scale 2 coincides with the edge of the clamp, and the centering and alignment scale should be paid attention to during assembly.
- For the disassembly of the lower board components, see "Steering Adjustment" above, which will not be repeated here.

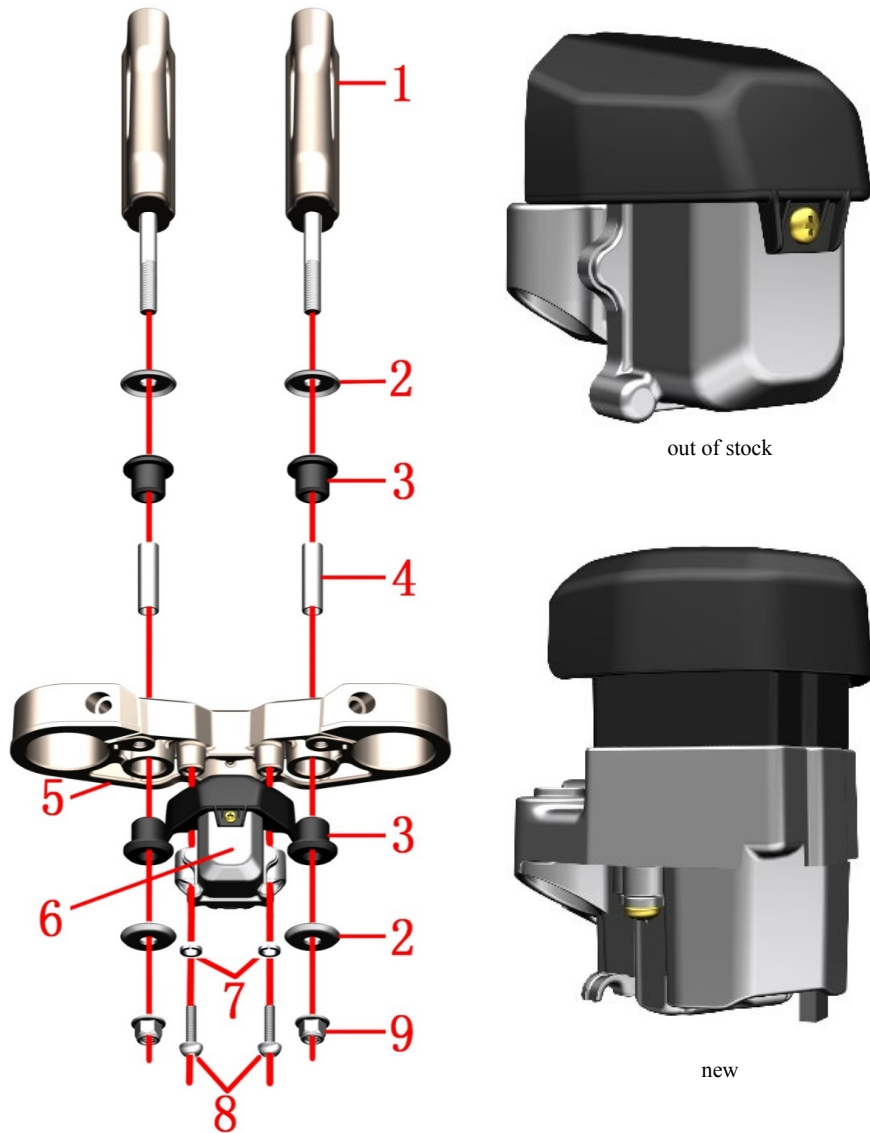


Fig.22 FRONT FORK COMPONENT		Uplink plate, direction handle block assembly		CHK	
				ADJ	
NO.	PART NO.	PART NAME	QTY	CAUTION	
1	1134200-013000	ZT310-X direction pad component	2		
2	1274200-018000	ZT310-R upper plate gasket	4		
3	1244200-008000	ZT310-R upper plate buffer rubber	4		
4	1251700-065000	ZT310-R bushing $\phi 10 \times \phi 12 \times 41$	2		
5	1134200-004000	ZT310-R uplink board (homemade)	1		
6	1184200-035000	ZT310-X electronic faucet lock (DC)	1	out of stock	
	1184200-138000	ZT310 faucet lock (electromagnetic/line length 450) assembly		new	
7	1250501-007093	GB93 $\phi 8$ (environmental color zinc)	2		
8	1251100-121093	Non-standard bolt M6 $\times$ 25 (environmental color)	2		
9	1251300-057093	Non-standard nut M10 $\times$ 1.5 (Dacro)	2		

## PROCEDURE:

## ● faucet lock

Remove the bolt (8) and remove the spring washer(7) and the faucet lock(6).Increased 2 pieces of spring washer (7) since Oct.31,2018.

## ● Uplink plate and spacer assembly

In order to facilitate the direction of the block, the direction and the upper block should be assembled first to prevent the block from rotating during the disassembly process. The direction should be wrapped with cotton or other soft materials to prevent scratching the paint surface.

Remove the nut (9) and remove the gasket(2), cushion rubber (3), and bushing (4). Remove the upper plate (5). The direction pad component(1), the upper clamp and the direction handle are disassembled.

## CAUTION:

● Protect protective measures to prevent scratching the appearance of parts.

● When reassembling the faucet lock, be sure to align the limit boss with the groove on the upper plate.

● When reassembling, it is necessary to use the direction to ensure that the center and direction of the spacers on both sides are coaxial with the center. First install 4 pieces of cushioning rubber into the upper plate and then install the bushing separately. Make sure that the bushing is flush with the cushioning rubber, otherwise it should be reassembled. When tightening the nut, ensure that the torque is 40N.m. Check the buffer for spillage and reassemble if necessary.

● The old faucet lock can be replaced as new model.



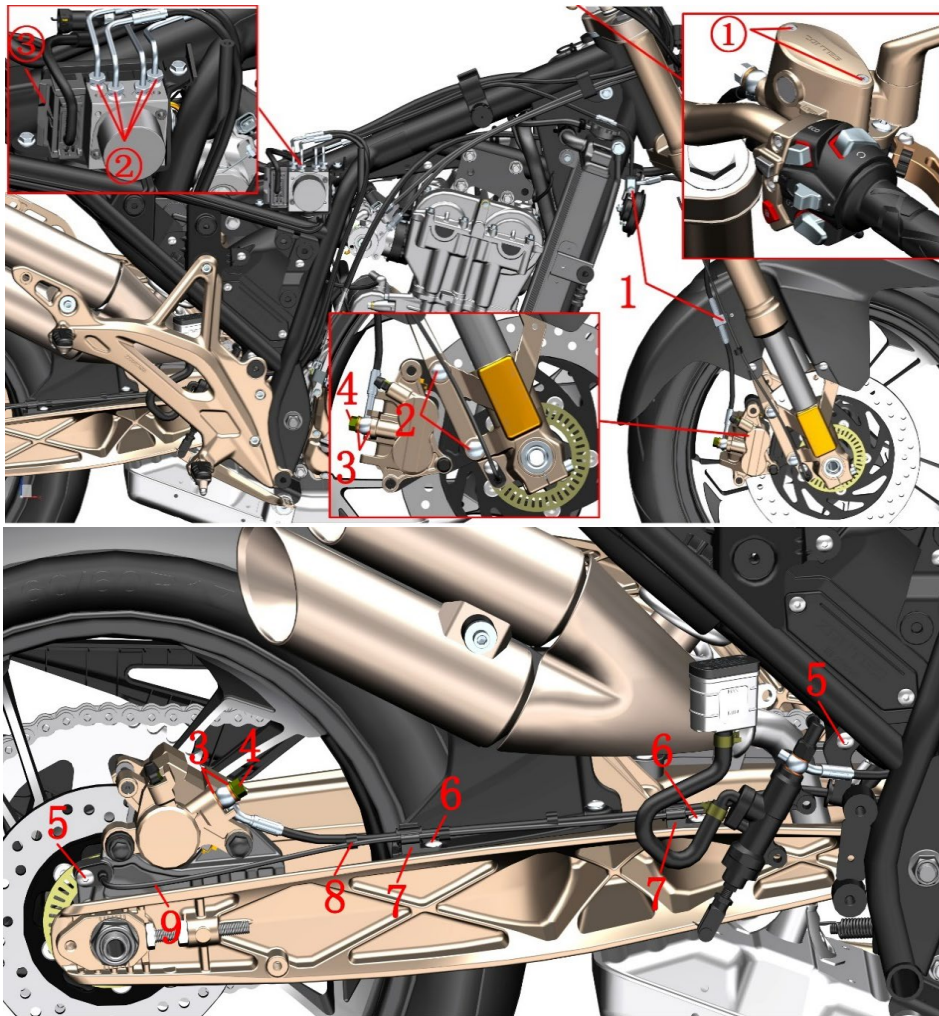


Fig.23 FRONT FORK COMPONENT		ABS brake system-1	CHK	⚠
NO.	PART NO.	PART NAME	ADJ	
1	1251100-061093	M6×22 hex flange face full thread bolt	2	CAUTION
2	1251100-080094	Non-standard bolt M8×37 (environmental color zinc)	2	
3	1251513-013000	Brake brake tubing copper washer φ15×φ10.2×1.5	6	
4	1251100-112000	Disc brake tubing bolt M10×1-22	3	
5	1251100-101000	Non-standard bolt M6×12 (304 stainless steel)	2	
6	1251100-102000	Non-standard bolt M6×16 (304 stainless steel)	2	
7	1224200-003000	ZT310-Z rear disc brake pipe clamp	2	
8	1224100-044000	Wheel speed sensor clamp	4	
9	1184200-045000	DF30 wheel speed sensor	1	

## PROCEDURE:

## ● front disc brake main pump

Remove the bolt① first, and refer to the front brake fluid addition step to remove the oil cup top cover, cover and sealant.

## ● Release brake fluid

After placing the oil pan, remove the bolts④ of the front disc brake caliper and the rear disc brake caliper, and remove the copper pad③ to release the brake fluid. After wearing waterproof gloves, wipe all surface surfaces with a clean cloth. The remaining small amount of brake fluid is absorbed by a clean rag. Remove the bolts, copper pads and sub-switches, rocker arms, right rear view mirror, etc. of the main pump by referring to the previous steps. Remove the bolt② and remove the front disc brake caliper.

## ● Brake tubing assembly

Remove the bolts①, bolts⑤ and ⑥, and remove the tubing clamp⑦, clamp⑧ and sensor⑨.

Press the stop tab on the cable connector and push the lever③ open to remove the cable connector. Loosen the nut② with an open-end wrench.

Remove 4 tubing.

Remove the rear disc brake caliper by referring to the steps of removing the rear wheel assembly of the rear wheel and rear fork assembly. The rear disc brake main pump disassembly is shown on the next page.

## CAUTION:

- The seat cushion, fuel tank and inner tank, side cover and right foot support assembly must be removed in advance.
- Be sure to disassemble the muffler and engine after they have cooled down completely. The horizontal support of the vehicle should be fixed before disassembly and assembly work.
- The precautions for brake fluid are described in the previous section.
- Because the ABS control system adopts the dry ABS control unit (that is, the ABS control unit itself has no brake fluid), it is necessary to obtain the authorization code of our company and use professional vacuuming equipment to fill the disc brake oil of the ABS complete system; If there is no professional equipment, it is strictly forbidden to dismantle the whole system without authorization. Otherwise, the brake may be invalidated, resulting in accidental injury.
- Adding brake fluid to the oil cups of the front and rear disc brake main pumps does not require professional equipment and authorization code, but it is necessary to prevent air from entering the pipeline.
- The torque of the nut② is 18 N.m.

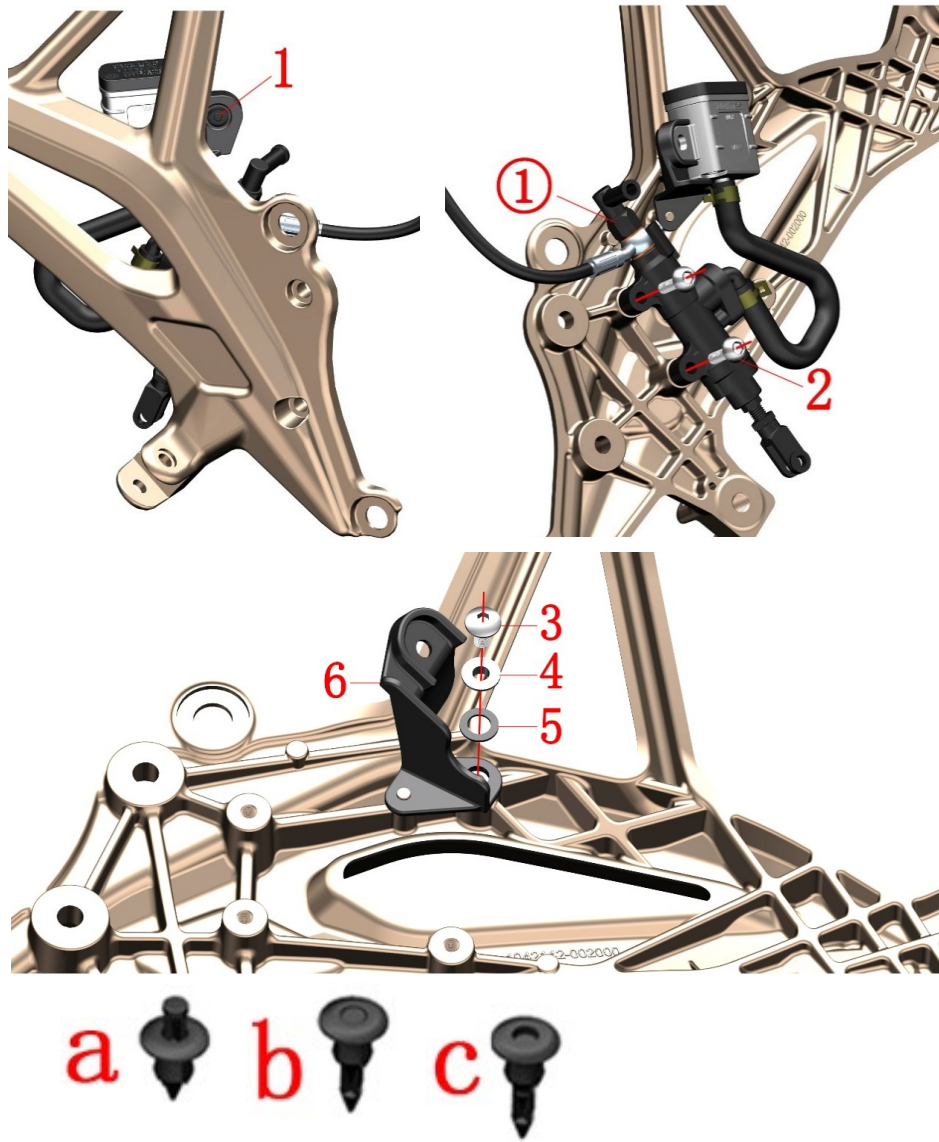


Fig.24 FRONT FORK COMPONENT		ABS brake system-2	CHK	CAUTION
NO.	PART NO.	PART NAME	ADJ	
1	1224100-010000	ZT250-S expansion nail	1	
2	1251100-121093	Non-standard bolt M6×25 (environmental color)	2	
3	1251100-101000	Non-standard bolt M6×12 (304 stainless steel)	1	
4	1274100-057095	Flanging bushing φ6.2×φ8.4×3.5+φ14×1.5	1	
5	1244100-052000	Cuff bushing cushioning rubber (φ8.5×φ14×1)	1	
6	1224200-055000	ZT310-R rear disc brake oil cup bracket	1	

## PROCEDURE:

- rear disc brake main pump

Use a small Phillips screwdriver to push down the center of the expansion pin(1) (as shown in Figure c on the left) and remove the expansion pin.

Locate and unplug the brake switch cord and loosen the brake switch nut①. Remove the copper pad and tubing connector.

Remove the bolt(2) with the hexagonal tool and remove the rear disc brake main pump assembly.

Remove the bolt(3), remove the bushing(4), rubber pad(5), and remove the oil cup bracket(6) from the right footrest bracket.

## CAUTION:

- Refer to the steps in the pedal assembly to first remove the pin on the right footrest bracket, the brake pedal, and the rear disc brake main pump connection.
- Figure a is the unmounted state; Figure b is the assembled state; Figure c is the disassembled state.
- The precautions for brake fluid are described in the previous section.

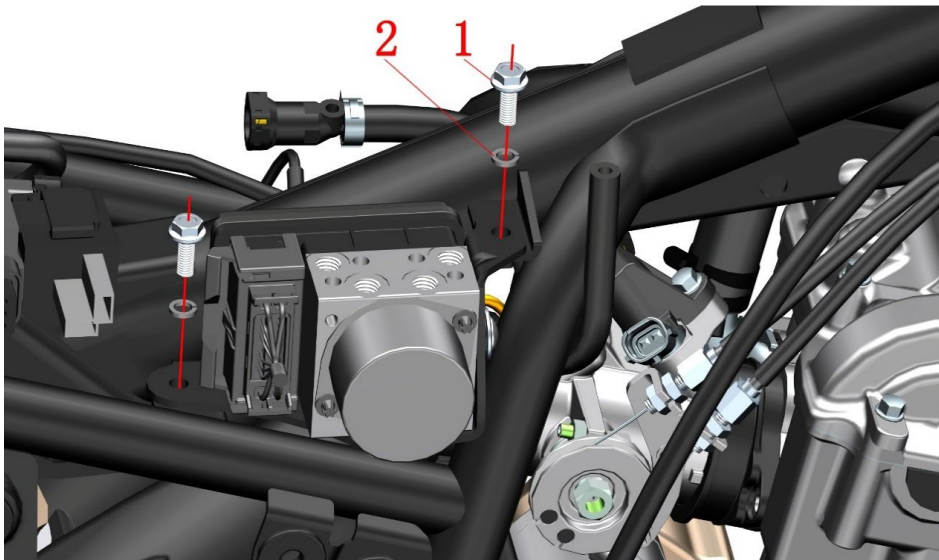


Fig.25 FRONT FORK COMPONENT		ABS brake system-3	CHK	CAUTION
			ADJ	
NO.	PART NO.	PART NAME	QTY	
1	1250105-137093	GB5789M6×16 (environmental color)	2	
2	1250501-010000	GB93φ6 spring pad	2	
3	4024200-006000	ZT310-R ABS mounting bracket	1	
4	1274100-007000	ZT250-S flanged bushing(φ6.4×φ9×6+φ20×2)	2	
5	1251100-102000	Non-standard bolt M6×16 (304 stainless steel)	2	
6	1244100-004000	ZT250-S Flanging Bushing Buffer	2	

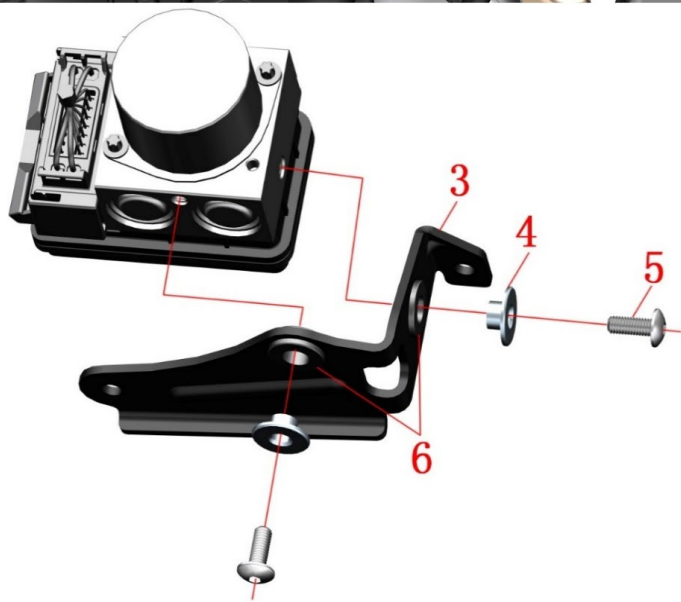
## PROCEDURE:

## ●ABS mounting bracket

Remove the bolt(1) and remove the spring washer(2). Remove the ABS control unit and mounting bracket assembly from the frame.

Remove the bolt(5) and remove the bushing(4). Separate the mounting bracket assembly from the ABS control unit.

The buffer rubber(6) is separated from the mounting bracket(3).



## CAUTION:

● If you only replace the mounting bracket, you do not need to remove the brake tubing connector and cable connector.

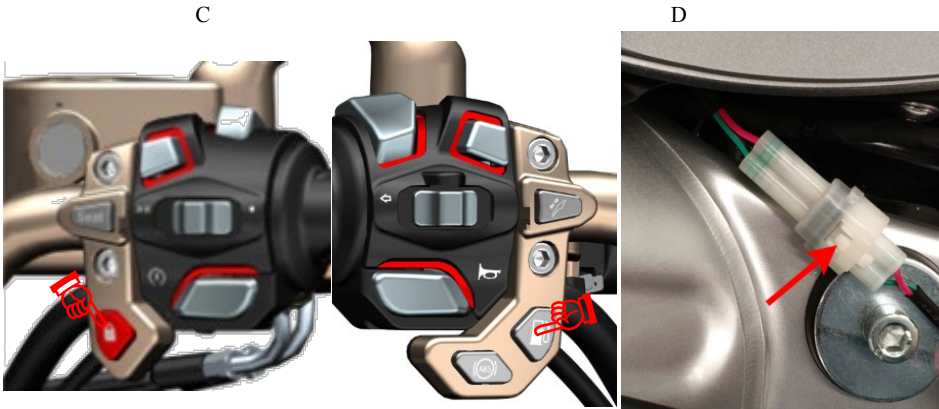
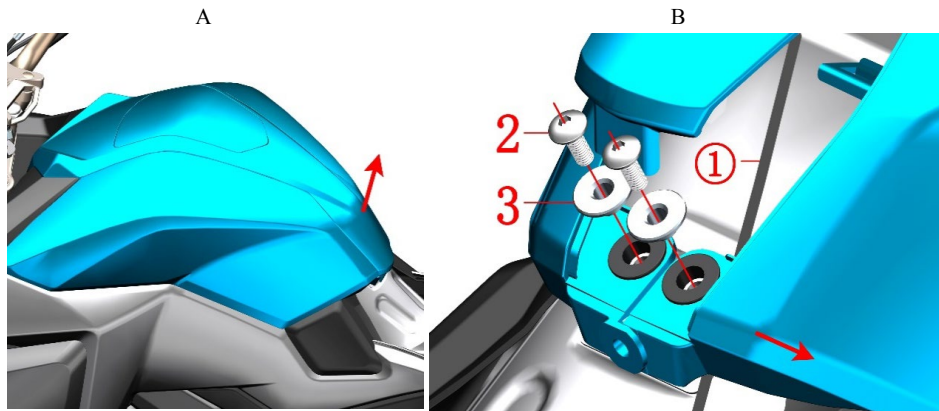
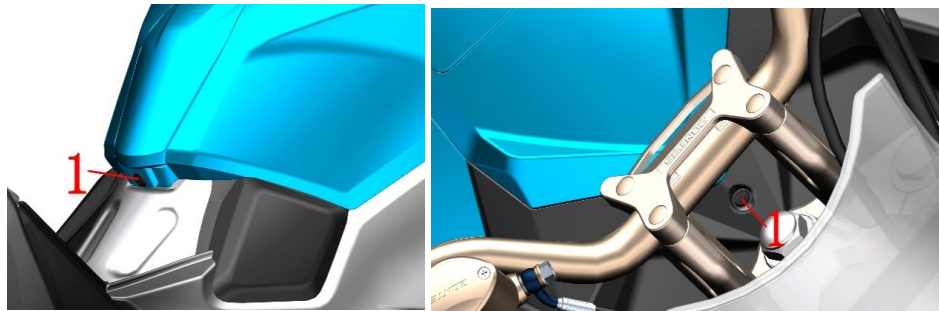


Fig.1 FUEL TANK COVER COMPONENT		Tank housing assembly 1		CHK	
NO.	PART NO.	PART NAME	QTY	ADJ	
1	1224100-010000	ZT250—S bolts	2		
2	1251100-102000	Non-standard bolt M6×16 (304stainless)	2		
3	1274100-007000	ZT250-S flanged bushing(φ6.4×φ9×6+φ20×2)	2		

**PROCEDURE:**

- Middle cover components  
Press the center of the expansion nail down with a small cross screwdriver (As photo A、 B show), Remove the expansion nail (1) of the rear and front parts of the hood assembly.  
Drag up the back of the middle cover assembly (As photo C show), Pull out all the middle cover component buckle.  
Lift the cover assembly with one hand, Remove the bolt with other hand(2), Remove the liner(3) (As D show). Pull the right fuel tank trim out, take out the fuel tank lock cable ① from right fuel tank cover and the gap of fuel tank inner tank.  
Short press the unlock button" " (as photo E) , fter starting up and self-check is completed, short press " "( as photo F) open fuel tank cover.  
Find the lock cable plug of the fuel tank at the back of the right cover and the tank inner tank ( figure G ) and unplug it, then remove the middle cover assembly.

**CAUTION:**

- The material parts should be protected during disassembly to prevent damage to the paint surface.
- When removing the buckle, attention should be paid to the strength and direction to prevent damage to the buckle.
- Figure a is the uninstalled state; FIG. B is the assembly state. Figure c shows the disassembly status.
- When assembling, please pay attention to check whether the cable is directly pressed or interfered by other parts to prevent short circuit caused by abrasion.



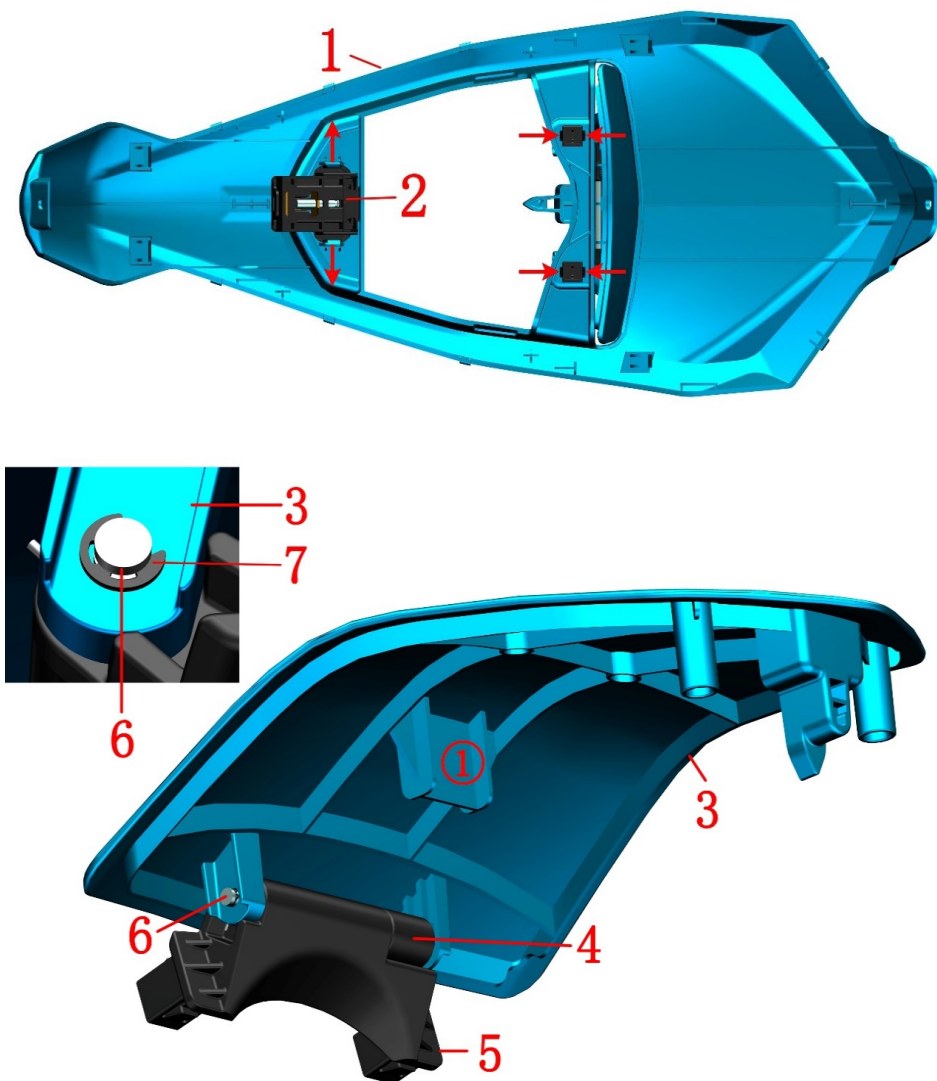


Fig.2 FUEL TANK COVER COMPONENT		Tank cover, tank cover, tank lock	CHK	REMARKS
NO.	PART NO.	PART NAME	ADJ	
1	4044201-006064	ZT310—X Bright fuel tank middle cover	1	
	4044201-054001	ZT310—X Pearl white fuel tank middle cover		
	4044201-044021	ZT310—X black fuel tank middle cover		
	4044201-070051	ZT310—X gray fuel tank middle cover		
	4044201-044151	ZT310—X bright gray fuel tank middle cover		
	4044201-100015	ZT310—X red fuel tank middle cover		
2	1184200-002000	ZT310 electric fuel tank lock	1	
3	4044201-003064	ZT310—X Bright fuel tank outer cover	1	
	4044201-051001	ZT310—X Pearl white fuel tank outer cover		
	4044201-041021	ZT310—X black fuel tank outer cover		
	4044201-067051	ZT310—X gray fuel tank outer cover		
	4044201-041051	ZT310—X bright gray fuel tank outer cover		
	4044201-097015	ZT310—X red fuel tank outer cover		
4	1224100-014000	ZT250—S Tank cover rotary damping	1	
5	1274100-021000	ZT250—S Tank cover swivel support	1	
6	1274100-090000	ZT250-S Swivel shaft for tank cover	1	
7	1260100-215000	ZT310—T circlip	1	【1】

## PROCEDURE:

## ● fuel tank lock

Use a flat-blade screwdriver to carefully pry the ends of the middle cover and remove the fuel tank lock(2), taking care to prevent damage to the buckle.

## ● Fuel tank cover assembly

Use a needle-nose pliers to clamp the tab of the swivel bracket(5) with a slight force. Remove the cover assembly and take care to prevent damage to the buckle.

Remove the circlip(7) on the rotating shaft(6); the fuel tank cover rotating bracket(5) included circlip(7).

Remove the rotating shaft and separate the rotating bracket(5) and the damper(4).

## CAUTION:

● The material should be protected during the disassembly process to prevent damage to the paint surface.

● When removing the buckle, pay attention to the strength to prevent damage to the buckle.

● Be careful not to lose your own spring when removing the swivel bracket.

● When assembling, pay attention to whether the length of the process clip① on the outer cover is too long. If it is too long, be sure to cut it short.

● 【1】 The fuel tank cover rotating bracket(5) included circlip(7).Just for after-sales.

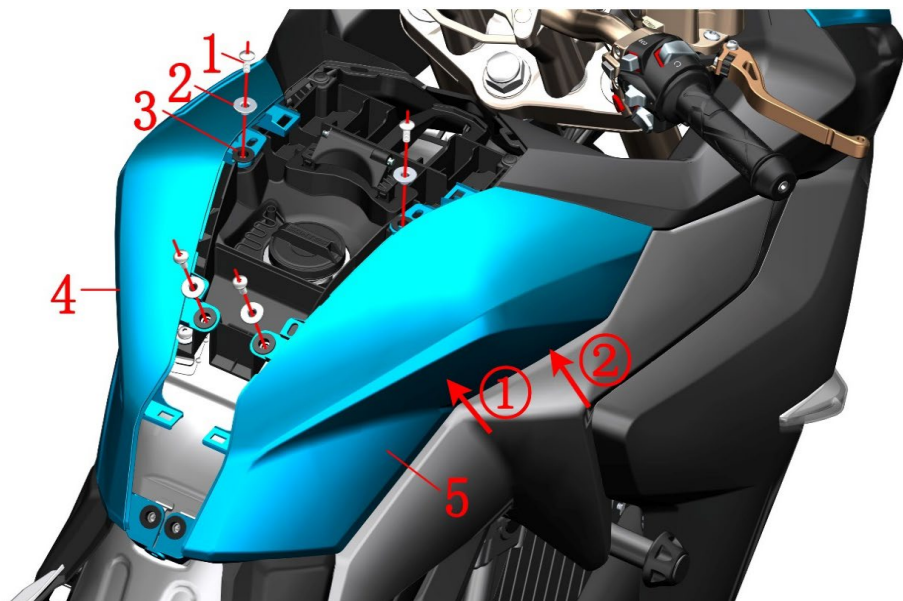
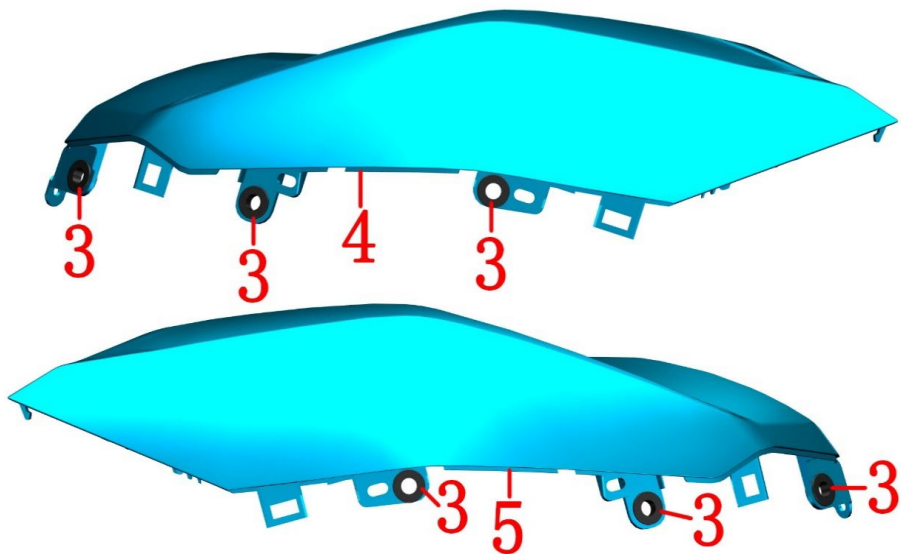


Fig.3 FUEL TANK COVER COMPONENT		Fuel tank trim kit	CHK	REMARKS
NO.	PART NO.	PART NAME	ADJ	
1	1251100-102000	Non-standard M6×16 (304 stainless)	4	
2	1274100-007000	ZT250-S flanged bushing(φ6.4×φ9×6+φ20×2)	4	
3	1244100-004000	ZT250-S Flanging bushing buffer	6	
4	4044201-004064	ZT310-X Bright blue tank left cover	1	
	4044201-052001	ZT310-X Pearl white tank left cover		
	4044201-042021	ZT310-X Black tank left cover		
	4044201-068051	ZT310-X Xuanwu lime tank left cover		
	4044201-042151	ZT310-X Deep bright grey tank left cover		
	4044201-098015	ZT310-X Jewel red tank left cover		
5	4044201-005064	ZT310-X Bright blue tank right cover	1	
	4044201-053001	ZT310-X Pearl white tank right cover		
	4044201-043021	ZT310-X Black tank right cover		
	4044201-069051	ZT310-X Xuanwu lime tank right cover		
	4044201-043051	ZT310-X Deep bright grey fuel tank right cover		
	4044201-099015	ZT310-X Jewel red tank right cover		



**PROCEDURE:**

● Left tank cover

Remove the bolts separately(1); Remove the liner(2).

Pull out the left cover assembly of the fuel tank by pulling out - in order①-②

Remove the buffer(3) from tank left cover

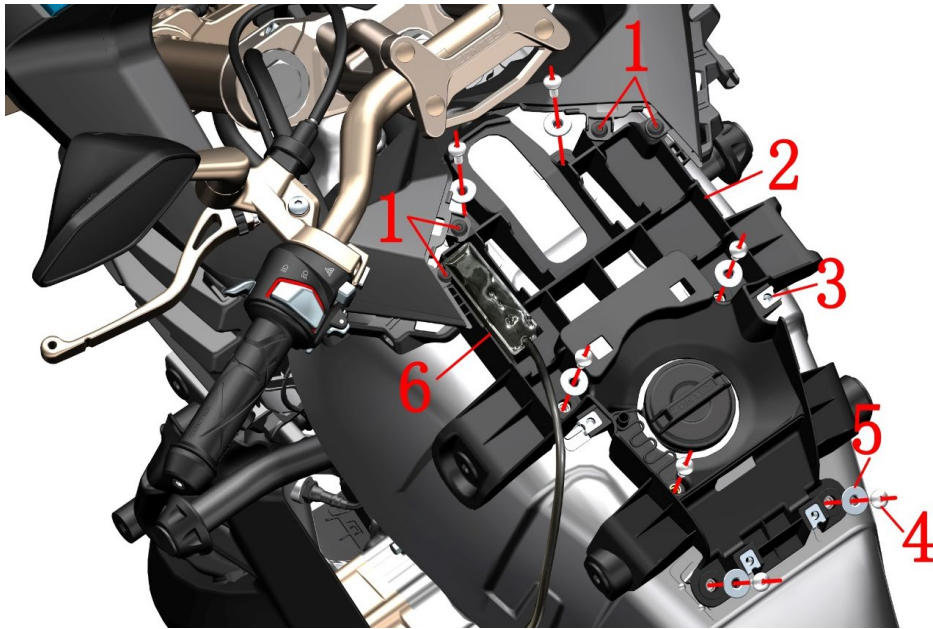
● Right fuel tank trim cover

Follow the steps of removing the left cover of the fuel tank to remove the right cover of the fuel tank(5).

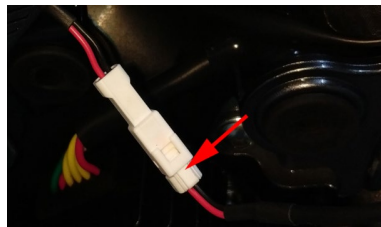
**CAUTION:**

● The material parts should be protected during disassembly to prevent damage to the paint surface. The tank cover is long and should be operated or held by both hands during disassembly or assembly.

● The material parts should be protected during disassembly to prevent damage to the paint surface. We should pack the pins in the order of density - weight. Note the left cover of the fuel tank and the end of the right cover. It is recommended to install the right cover before installing the left cover.



Old state



New states

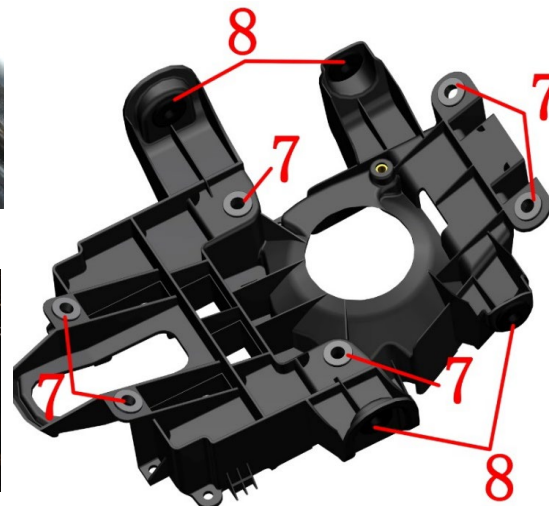


Fig.1 TANK LINER COMPONENT		Tank box assembly		CHK	REMARKS
NO.	PART NO.	PART NAME	QTY	ADJ	
1	1224100-010000	ZT250—Sbolts	2		
2	1224200-027000	ZT310—XTank box	1		
3	1251300-063093	splint M6×11×15 (color)	4		
4	1251100-102000	Non-standard bolt M6×16 (304stainless)	7		
5	1274100-007000	ZT250-S flanged bushing(φ6.4×φ9×6+φ20×2)	6		
6	1184200-041000	310PKE external antenna (long)	1		Old state
	1184200-053000	ZT310PKE external single antenna		New states	
7	1244100-004000	ZT250—S Flanging bushing buffer	6		
8	1244100-002000	ZT250—S Side cover round rubber	4		

PROCEDURE:

●PKE external antenna

Separate the PKE filament terminal(6) from the tank box. If the PKE antenna needs to be replaced, the joint should be found on the left side of the car body, and the nut should be spun out and removed.If the PKE is a new states of the single antenna will find the connector,hte liit plate down and unplug. Use a hot air gun to heat up a bit, remove the double-sided glue from the tank box, and clean the residual glue.

●Tank box assembly

Press down the center of the expansion screw with a small cross screwdriver (AS figure c) ,Remove the swelling nail.

Remove 7 bolts(4) separately, Take down 6 pieces of bushings(5).

Remove the tank box assembly. Be careful not to pull the nylon rope from the tank cover.

Remove four clamps(3) from the tank box、 4 pieces side cover round rubber(8) and 6 pieces Buffer rubber(7).

CAUTION:

- The cushion, side cover, enclosure panel and tank cover should be removed in advance.
- Figure a is the unmounted state; Figure b is the assembled state; Figure c is the disassembled state.
- The PKE external antenna is Velcro + double-sided tape glued to the tank box.
- The new and old states PKE external antenna cannot be universal.



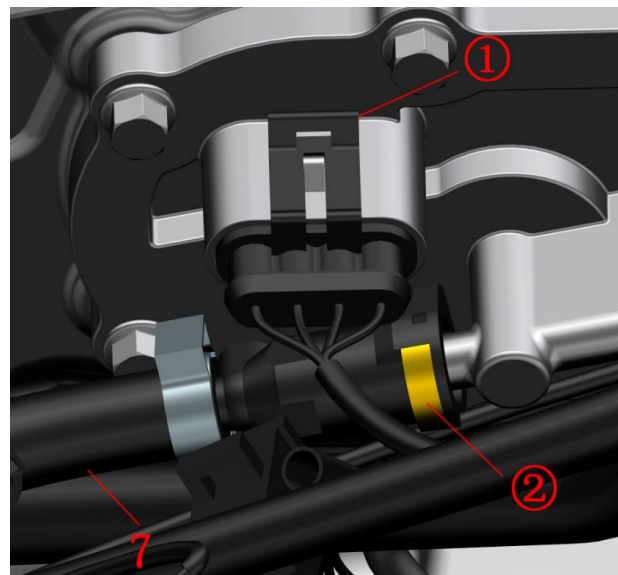
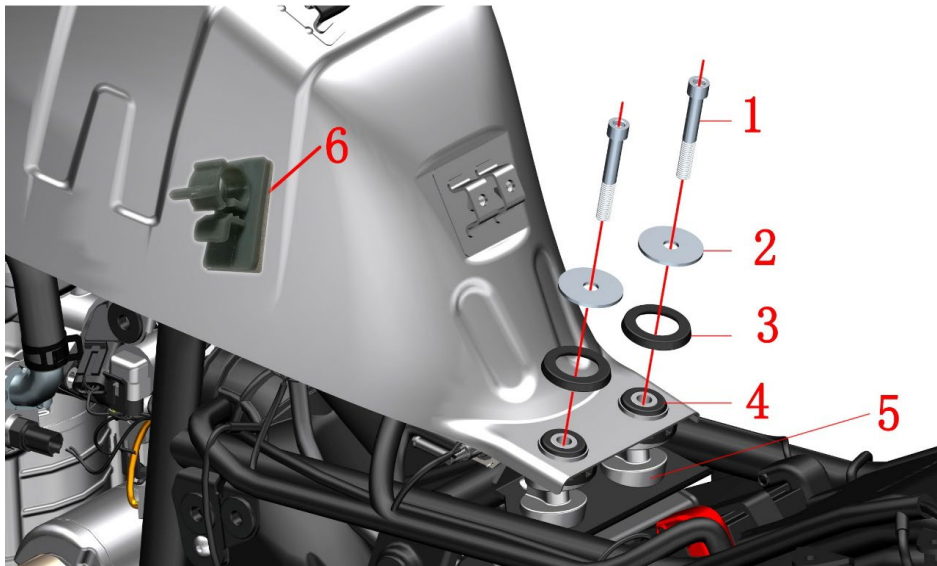


Fig.2 TANK LINER COMPONENT		Tank liner component	CHK	CAUTION
NO.	PART NO.	PART NAME	ADJ	
1	1250205-043093	GB70.1M8×55 (environmental color)	2	
2	1251900-028093	ZT250-R fuel tank flat pad φ9×φ37.5×2	2	
3	1244100-020000	ZT250-S fuel tank pressure	2	
4	1244100-053000	ZT250-S second generation fuel tank gasket	2	
5	1274100-080000	ZT250-R cushion fixing block	1	
6	1224200-066000	ZT310PKE external antenna mount	1	
7	1050954-006000	ZT250-R EFI High Pressure Tubing Sub-assembly	1	

## PROCEDURE:

## ● Tank liner assembly

Remove the bolt(1) with a hexagonal tool; remove the gasket(2) and press the rubber(3).

Lift the tail of the tank inner assembly and remove the rubber(4) and seat cushion(5).

Pull the main harness limit card① out and pull the plug down.

After removing the antenna fixing block(6) from the inner liner assembly, clean the remaining glue.

Locate the limit retaining ring② on the high-pressure tubing sub-assembly(7) and pull it out while pressing hard.

Continue to raise the tank liner assembly, clamp the tube clamp on the snorkel with pliers in the direction of the arrow, and remove the vent tube.

Swing the tank liner assembly slightly left and right while pulling it back obliquely upwards.

## CAUTION:

● The seat cushion, side cover, fuel tank cover, etc. must be removed in advance.

● When removing the high-pressure oil pipe, be sure to wait until the engine and muffler are completely cooled before operating to prevent accidental ignition of the fuel and cause fire.

● Fireworks, answering or dialing should be strictly prohibited near the car-breaking site to prevent accidents.

● A small amount of fuel leakage is required when the high-pressure oil pipe sub-assembly is pulled out, and the fuel should be prevented from dripping to the outside of the engine or the muffler.

● It is recommended to use the oil pump to pump out the fuel or consume the fuel before disassembling the tank assembly.



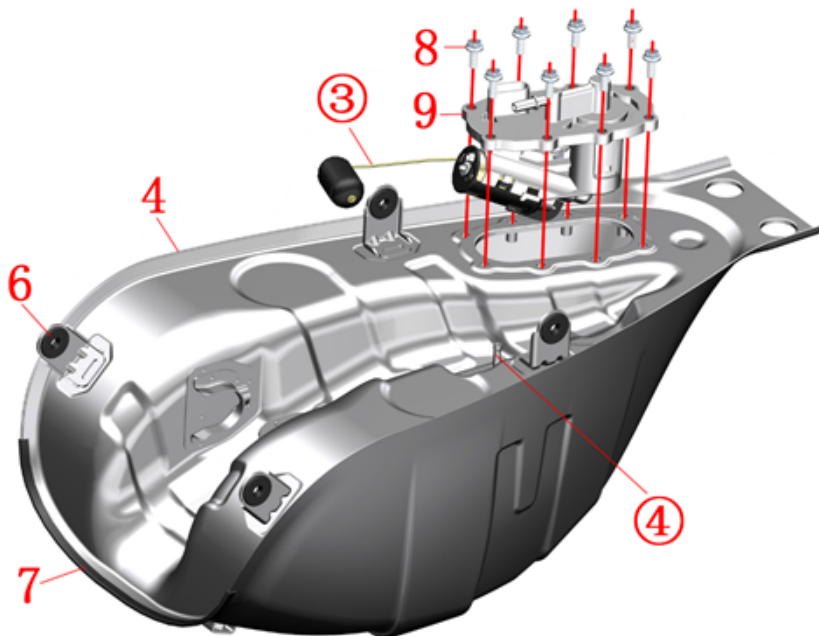


Fig.3 TANK LINER COMPONENT		Tank liner	CHK	CAUTION
NO.	PART NO.	PART NAME	ADJ	
1	1251100-101000	Non-standard bolt M6×12 (304 stainless steel)	4	
2	1274200-014000	ZT310-R fuel tank cover rear mounting bracket	1	
3	1224100-033000	ZT250-S threaded fuel tank cap	1	
4	4034200-001000	ZT310-R fuel tank liner	1	
5	1274200-013000	ZT310-R fuel tank cover front mounting bracket	1	
6	1244100-002000	ZT250-S side cover round glue	4	
7	1240300-021000	HJ125-6 shroud glass strip (1.5m)	0.17	
8	1250105-137093	GB5789M6×16 (environmental color)	8	
9	1050954-018000	T02 built-in fuel pump -300	1	

## PROCEDURE:

## ●Fuel tank cover bracket

Remove the bolts(1) separately, and remove the tank cover to install the bracket(2) and the front bracket(5).

## ●Fuel tank cap

Pinch① by hand to remove the fuel tank cap(3) counterclockwise. Be careful not to pull the nylon cord② hard.

## ●Adhesive strip

Pull the strip(7) off the end of the strip by hand.

## ●Side cover round glue

Remove the side cover round rubber(6) from the tank liner(4).

## ●Fuel pump

After the Tank liner assembly is placed upside down, remove the bolts(8) with a sleeve.

When the fuel pump(9) is removed, the float connecting rod③ cannot be bent or bent to avoid inaccurate oil display.

## CAUTION:

●Before removing the Tank liner assembly, it is recommended to use the oil pump to pump out the fuel or dissipate the fuel before disassembling.

●Fireworks, answering or dialing should be strictly prohibited near the car-breaking site to prevent accidents.

●Reverse the Tank liner assembly When disassembling the fuel pump, be sure to check that the fuel tank cap is tightened to prevent the remaining fuel from overflowing from the fuel tank port; the vent pipe 4 may have a small amount of fuel overflow when the fuel tank cap is turned back.

●When reassembling the fuel pump, be sure to clean the joint surface of the fuel pump sealant and the tank liner. When locking the bolt, the position should be locked to ensure uniform deformation of the seal gasket.

●When assembling the fuel tank cap, be careful to rotate 1 to the position shown in the figure. In other positions, it may interfere with the process clip of the fuel tank cover.

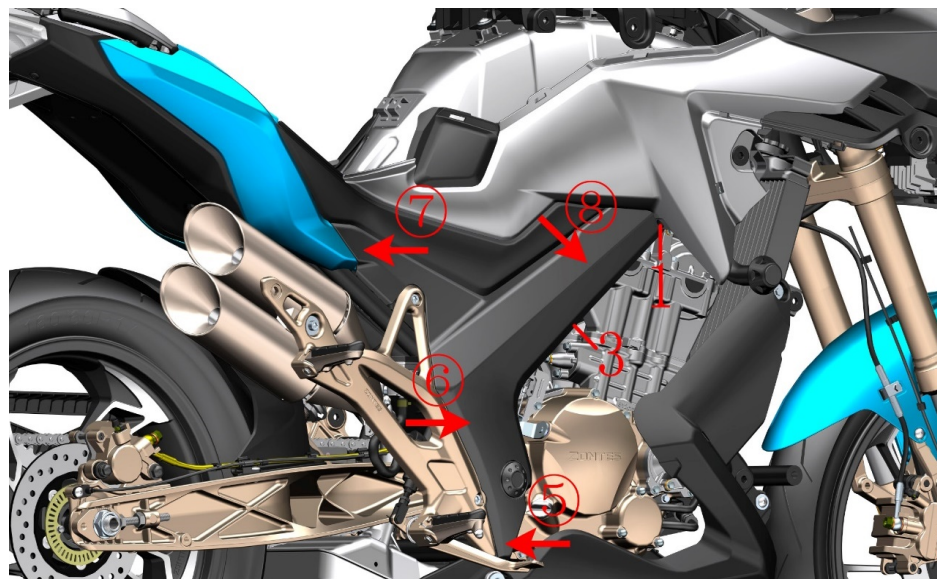
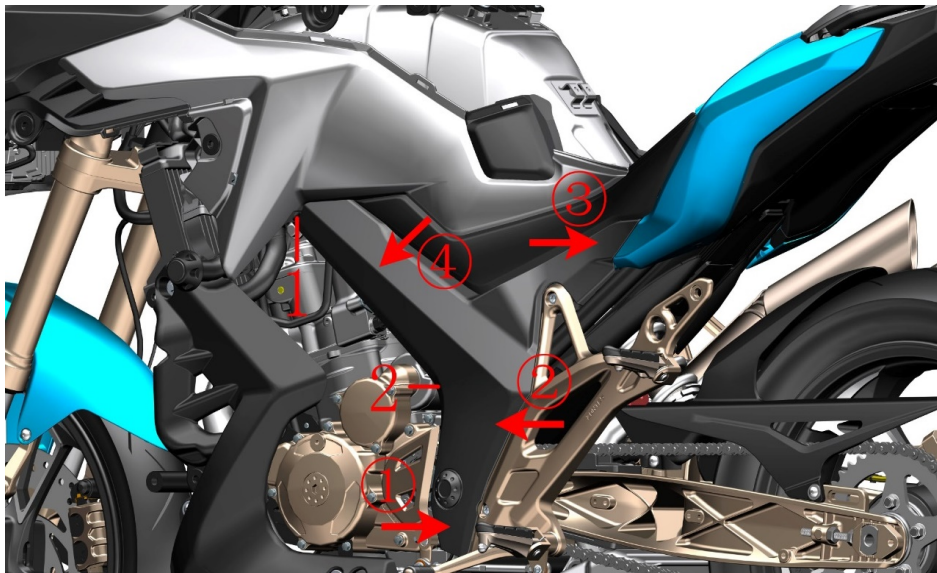



Fig.1 SIDE COVER COMPONENT		Side cover the lower part	CHK	
NO.	PART NO.	PART NAME	ADJ	
1	1224100-010000	ZT250—S bolts	2	
2	1224200-029000	ZT310—X Lower left cover	1	
3	1224200-031000	ZT310—X Lower left cover	1	

**PROCEDURE:**

●Side cover components

Press the center of the expansion screw with a small cross screwdriver (As shown in figure c) , Remove the swelling nail(1)。

Put your hand in the slot and pull it out.First pull out the card nail from the bottom up in the order of ①~④

Grab the center of the left side of the cover(2)and pull back and remove

Follow the above steps to remove the right side cover lowe(3)

**CAUTION:**

- The seat cushion, tank cover assembly and surround panel assembly should be removed in advance.
- When assembling, insert the expansion pin of the head of the side cover and fasten it to the upper part of the side cover-it's in order④-①; Finally install the expansion nail.
- Figure a is the uninstalled state; Figure b is the assembly state. Figure c shows the disassembly status.



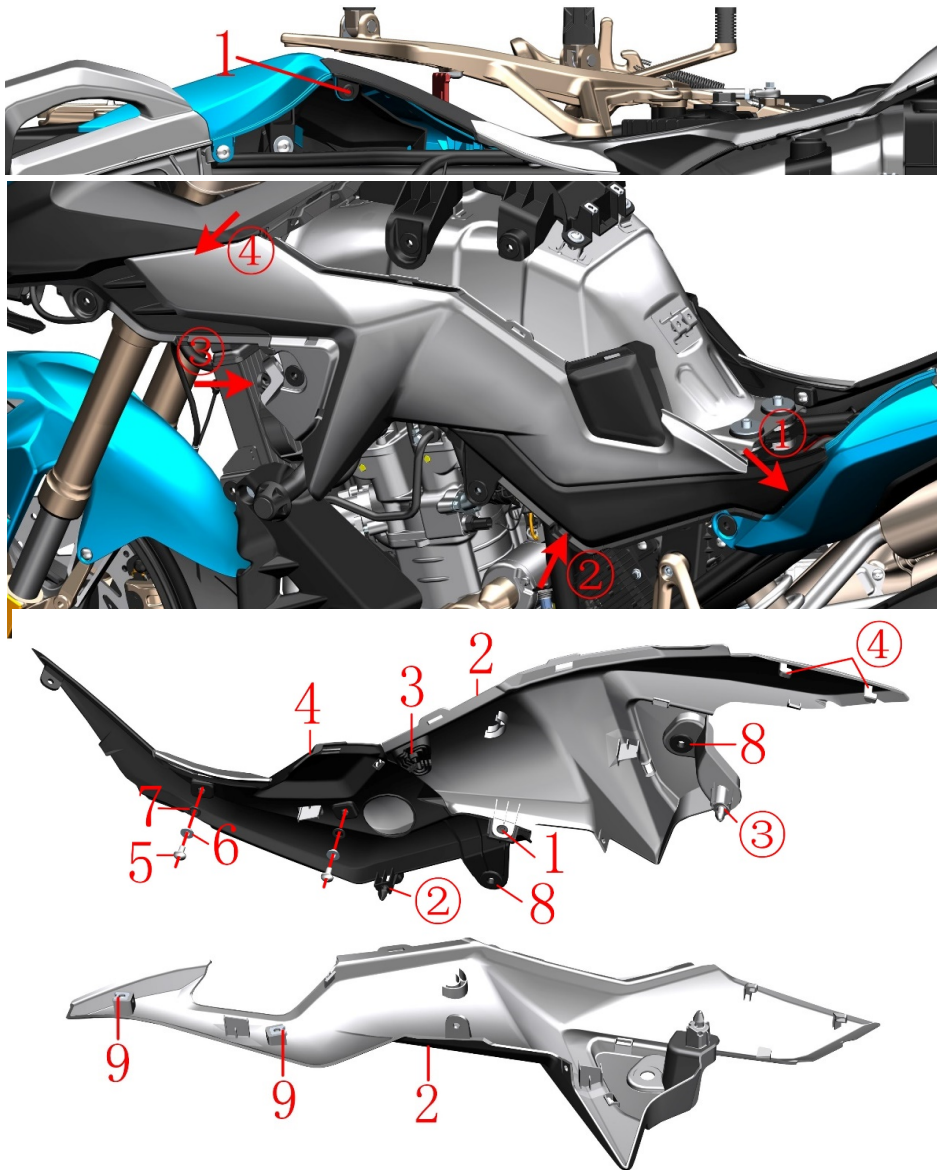


Fig.2 SIDE COVER COMPONENT		Left side cover upper component	CHK	REMARKS
NO.	PART NO.	PART NAME	ADJ	
1	1224100-010000	ZT250—S bolts	2	
2	4044201-011052	ZT310—X Iron nail grey upper left side cover	1	
3	1244200-032000	ZT310—X Left side cover upper buffer	1	
4	1224200-028000	ZT310—X Middle left cover	1	
5	1251100-101000	Non-standard bolt M6×12 (304 stainless )	2	
6	1274100-057095	Flanging bushing φ6.2×φ8.4×3.5+φ14×1.5	2	
7	1244100-052000	Flanging bushing buffer (φ8.5×φ14×1)	2	
8	1244100-002000	ZT250—S Side cover round rubber	2	
9	1251300-063093	splint M6×11×15 (color)	2	

**PROCEDURE:**

● **Left side cover upper assembly**

Using small cross screwdriver to press down on the center of the expansion screw (as shown in figure. C), remove the expansion screw(1).

First, the card buckle① at the outlet is pulled out, and then the card nail② and the impeller③ are pulled out. Finally, the card button at the outlet at the outlet④ is pulled out, and the upper component at the left side of the cover is removed.

Flip back, Remove the 2 bolts(5),Take off the liner(6) and the buffer(7).

Take off the expansion nail(1).

Separate the upper part of the left cover from the middle.

The cyanobacteria of the side cover(8) were removed from the upper part of the left cover(2) and the middle part of the bottom cover(1) respectively.

Remove the splint (9) from the upper part of the left cover(2).

**CAUTION:**

- The seat cushion, tank cover assembly and surround panel assembly should be removed in advance.
- When assembling, the upper part④ of the left side cover shall be completed with the buckle at the upper part of the automation component, then assemble ③ and ②; complete ①; Finally,assemble the bolts.
- Figure a is the uninstalled state; Figure. b is the assembly state. Figure c shows the disassembly status.



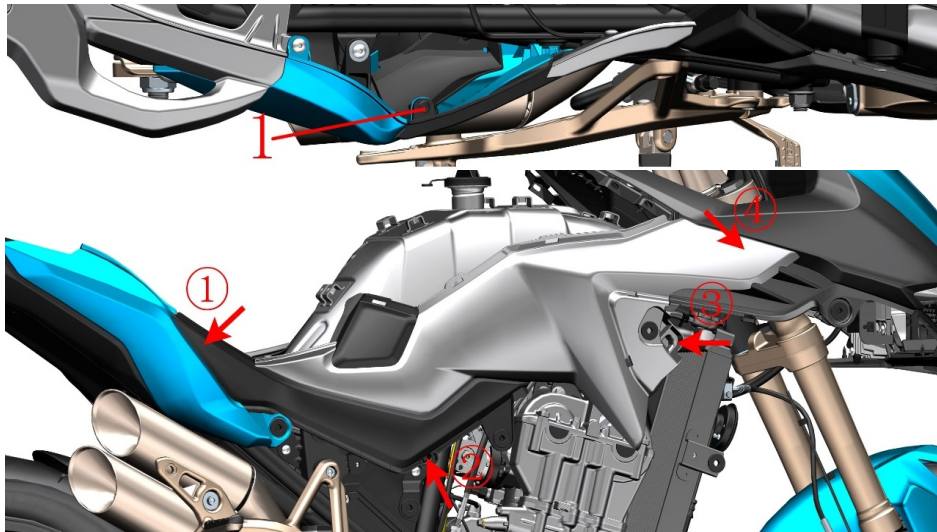


Fig.3 SIDE COVER COMPONENT		Right side cover upper component	CHK	REMARKS
NO.	PART NO.	PART NAME	ADJ	
1	1224100-010000	ZT250—S bolts	1	
2	4044201-012052	ZT310—X The upper right side cover of iron nail ash	1	
3	1244200-033000	ZT310—X Right side cover upper buffer	1	
4	1224200-030000	ZT310—X Middle right side cover	1	
5	1251100-101000	Non-standard bolt M6×12 (304 stainless)	2	
6	1274100-057095	Flanging bushingφ6.2×φ8.4×3.5+φ14×1.5	2	
7	1244100-052000	Flanging bushing buffer (φ8.5×φ14×1)	2	
8	1244100-002000	ZT250—S Side cover round rubber	2	
9	1251300-063093	splint M6×11×15 (color)	2	

**PROCEDURE:**

●Right side cover upper assembly

Using small cross screwdriver to press down on the center of the expansion screw (as shown in FIG. C), remove the expansion screw(1).

First,pls pull out the snap on ①, then take out the bolts ②and ③, finally,pull out ②and ③, finally,take out the snap on ④, Remove the right cover upper assembly.

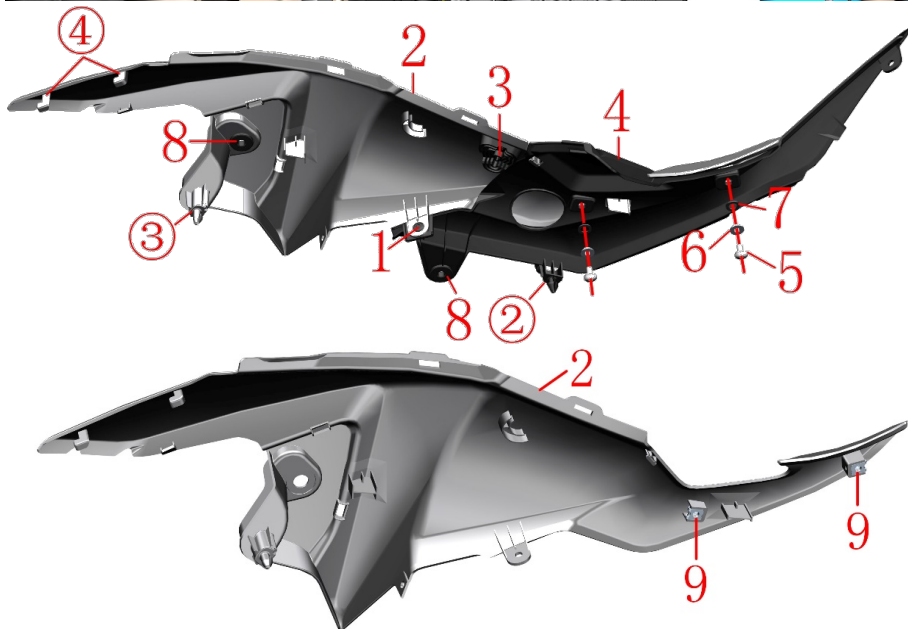
Flip it over to the back,remove 2 bolts (5),remove bush (6) and buffer(7).

Remove bolts(1)。

Separate the upper part of the right cover from the middle.

Remove the side cover circle glue (8)from the upper of right side cover and middle part(4).

Remove the splint(9) from the top of the right cover(2)



**CAUTION:**

- The seat cushion, tank cover assembly and surround panel assembly should be removed in advance.
- When assembling, the upper part④ of the left side cover shall be completed with the buckle at the upper part of the automation component, then assemble ③ and ②; complete ①; Finally,assemble the bolts.
- Figure a is the uninstalled state; Figure. b is the assembly state. Figure c shows the disassembly status.



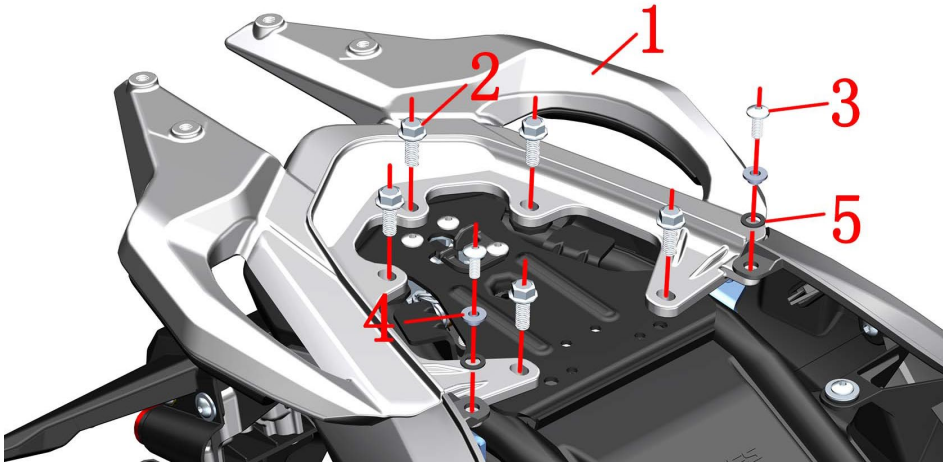


Fig.1 REAR COVER COMPONENT		Rear armrest assembly	CHK	REMARKS
NO.	PART NO.	PART NAME	ADJ	
1	1274200-044000	ZT310-X rear armrest	1	
2	1250105-142093	GB5789M8×20 (environmental color)	5	
3	1251100-102000	Non-standard bolt M6×16 (304 stainless steel)	6	
4	1274100-057095	Flanging bushing φ6.2×φ8.4×3.5+φ14×1.5	6	
5	1244100-052000	Cuff bushing cushioning rubber (φ8.5×φ14×1)	2	
6	1244200-020000	ZT310-X rear armrest right pad rubber	1	
7	1244200-019000	ZT310-X rear armrest left pad rubber	1	

## PROCEDURE:

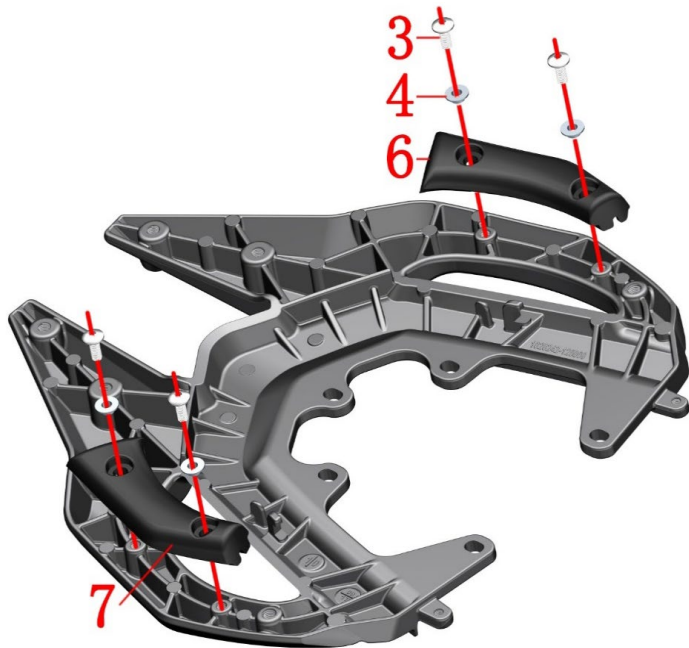
## ●Rear armrest assembly

Remove the 2 bolts (3) and remove the bushing(4) and cushion rubber(5).

Remove the 5 bolts(2)and pull the rear armrests diagonally behind.

## ●Rear armrest rubber assembly

Turn to the back, remove the bolt(3), remove the bushing(4), and then remove the left pad(7) and right pad (6).



## CAUTION:

●The material should be protected during the disassembly process to prevent damage to the paint surface.

●The bottom of the rear armrest has a buckle and a tail skirt. It is not possible to directly push up to prevent the buckle from breaking.

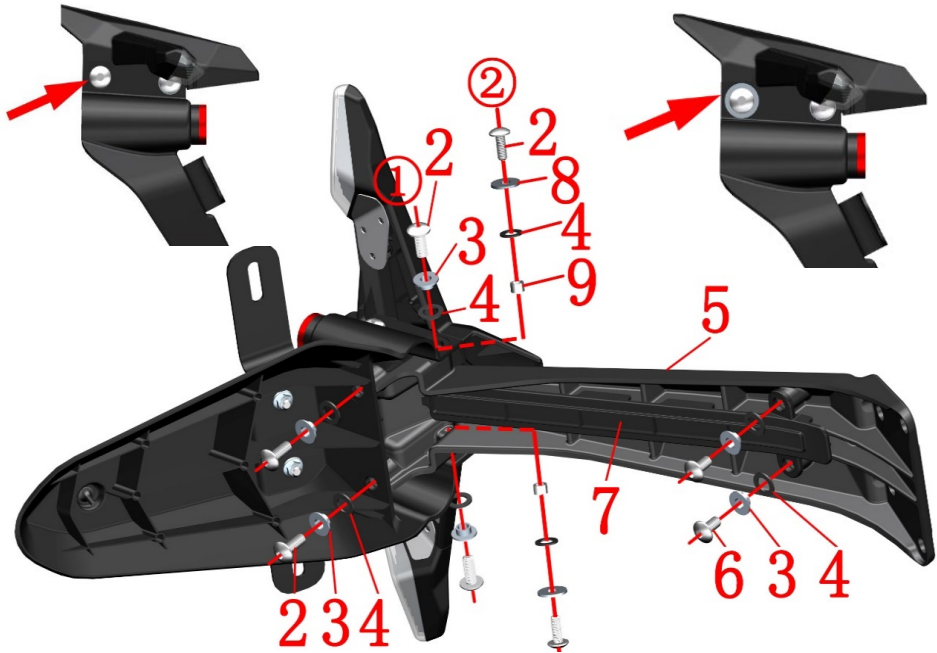
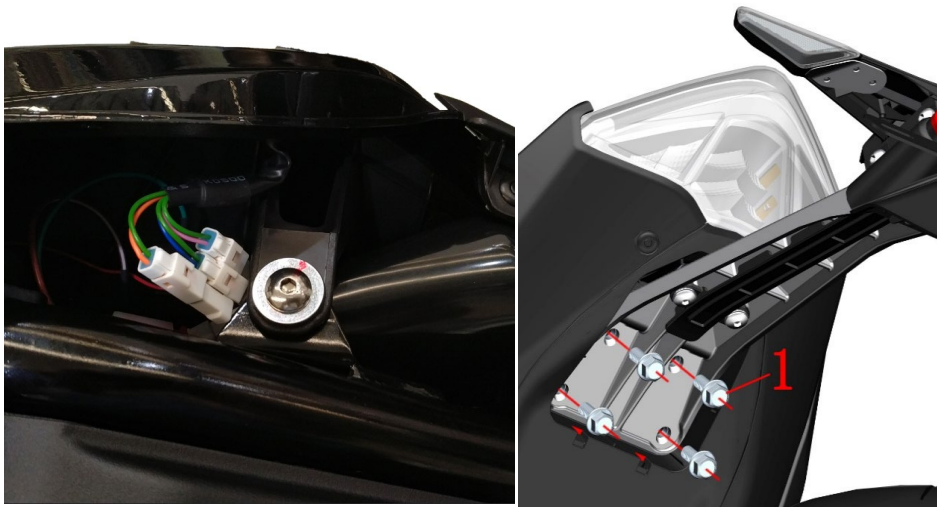


Fig.2 REAR COVER COMPONENT		Rear mud board assembly 1	CHK	REMARKS
NO.	PART NO.	PART NAME	ADJ	
1	1250105-142093	GB5789M8×20 (environmental color)	4	
2	1251100-102000	Non-standard bolt M6×16 (304 stainless steel)	4	
3	1274100-057095	Flanging bushing φ6.2×φ8.4×3.5+φ14×1.5	6	
4	1244100-052000	Cuff bushing cushioning rubber (φ8.5×φ14×1)	6	
5	1274200-045000	ZT310-X rear fender bracket	1	
6	1251100-101000	Non-standard bolt M6×12 (304 stainless steel)	2	
7	1224200-033000	ZT310-X rear mud plate bracket cover	1	
8	1250502-010093	GB96.1φ6 (environmental color)	2	【1】
9	1274100-018000	ZT250—S Muffler anti-hot plate bushing	2	

## PROCEDURE:

## ●Rear mud board assembly

Locate the cable connector on the rear mud plate assembly and unplug it. The color is three joints of green + orange, green + blue, green + powder.

Remove the 4 bolts(1)and remove the rear mud plate assembly. During the removal process, be careful not to pull the cable forcibly.

Remove the 2 bolts(6) and remove the bushing(3) and cushion rubber(4). Remove the bracket cover(7).

①:Vehicles manufactured before Oct. 1, 2018 remove the top 2 bolts (2), remove the bushing (3) and the cushion rubber (4).

②:Vehicles manufactured after Oct. 1, 2018 remove the top 2 bolts (2), remove the GB96.1φ6 (8)、 the cushion rubber (4) and the plate bushing(9).

Remove the botton 2 bolts(2)and remove the bushing(3) and cushion rubber (4). Remove the bracket (5).

## CAUTION:

- The seat cushion needs to be removed in advance.
- The removal process cannot forcibly pull the cable.
- When reassembling, check whether there is any pressure on the wire to prevent short circuit when tightening the bolt.
- The lamp cover needs to be protected.
- 【1】 from Oct. 1, 2018 onwards, the structure of the rear turn signal should be clearly distinguished. Switch from the original 2 Flanging bushing to 2 gaskets + bushing.

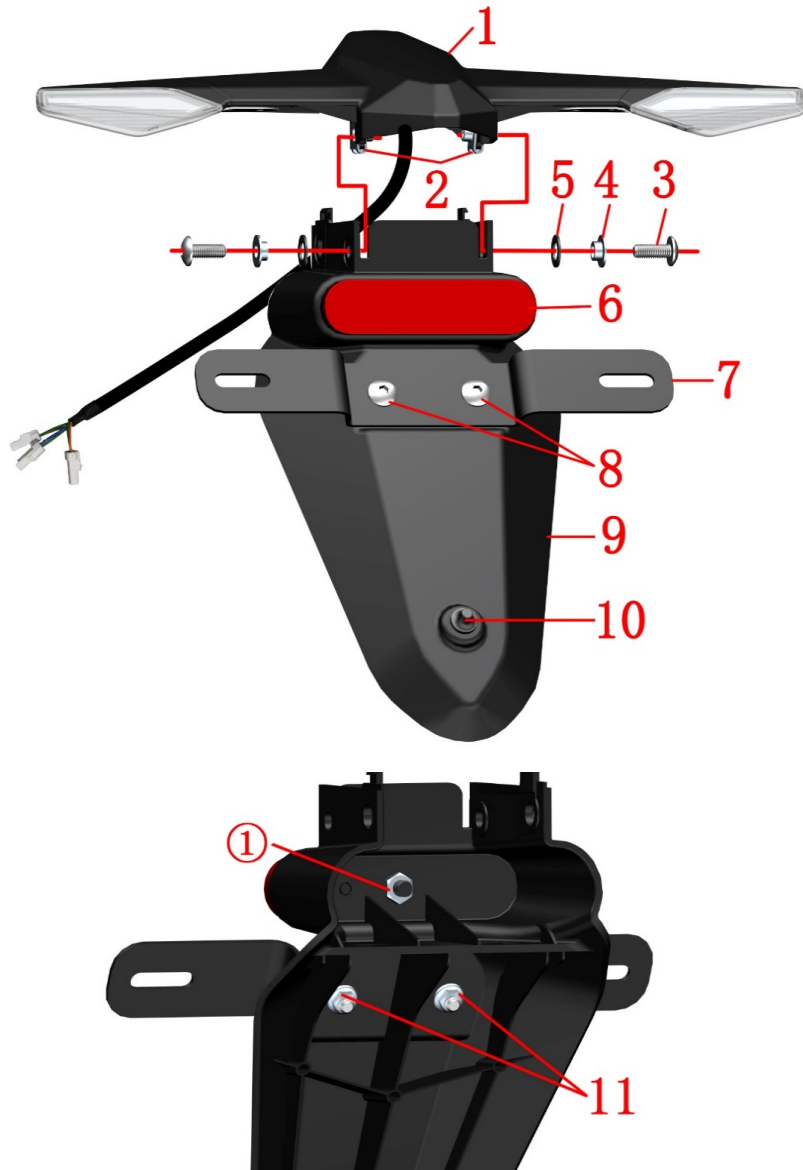


Fig.3 REAR COVER COMPONENT		Rear mud board assembly 2		CHK	
NO.	PART NO.	PART NAME	QTY	ADJ	
1	1174200-011000	Rear turn signal (including license plate light)	1		<b>【1】</b>
	1174200-035000	ZT310 rear turn signal (including license plate light)		<b>【2】</b>	
2	1251300-063093	Splint M6×11×15 (environmental color)	2		
3	1251100-102000	Non-standard bolt M6×16 (304 stainless steel)	2		
4	1274100-057095	Flanging bushing φ6.2×φ8.4×3.5+φ14×1.5	2		
5	1244100-052000	Cuff bushing cushioning rubber (φ8.5×φ14×1)	2		
6	1174100-002000	ZT250-S rear reflector	1		
7	1270300-039000	HJ125-6 rear license plate bracket	1		
8	1251100-101000	Non-standard bolt M6×12 (304 stainless steel)	2		
9	1224200-032000	ZT310-X rear mud board	1		
10	1244100-006000	ZT250-S rear license plate cushioning rubber	1		
11	1250303-010093	GB6177.1M6 (environmental color)	2		

## PROCEDURE:

## ● Rear turn signal

Remove the 2 bolts (3) and remove the bushing (4) and cushion rubber(5). Remove the rear turn signal(1). If you remove the cable during the removal process, you cannot force the cable.

Remove the splint (2) from the rear turn signal(1).

## ● Back license bracket

Secure the head of the bolt (8) with a hexagon socket tool and remove the nut(11) with a sleeve on the back of the rear mud plate. Remove the bolt(8) and the license plate bracket(7).

## ● Back reflector

Remove the nut 1 from the rear reflector(6) with a sleeve and remove the rear reflector.

## ● Back license cushion rubber

Remove the rear license plate cushion rubber(11) from the rear mud plate(9).

## CAUTION:

● The removal process cannot forcibly pull the cable.

● When reassembling, check whether there is any pressure on the wire to prevent short circuit when tightening the bolt.

● The lamp cover needs to be protected.

● **【1】** for the vehicle produced before Oct. 1, 2018; **【2】** for the vehicle produced after Oct. 1, 2018.

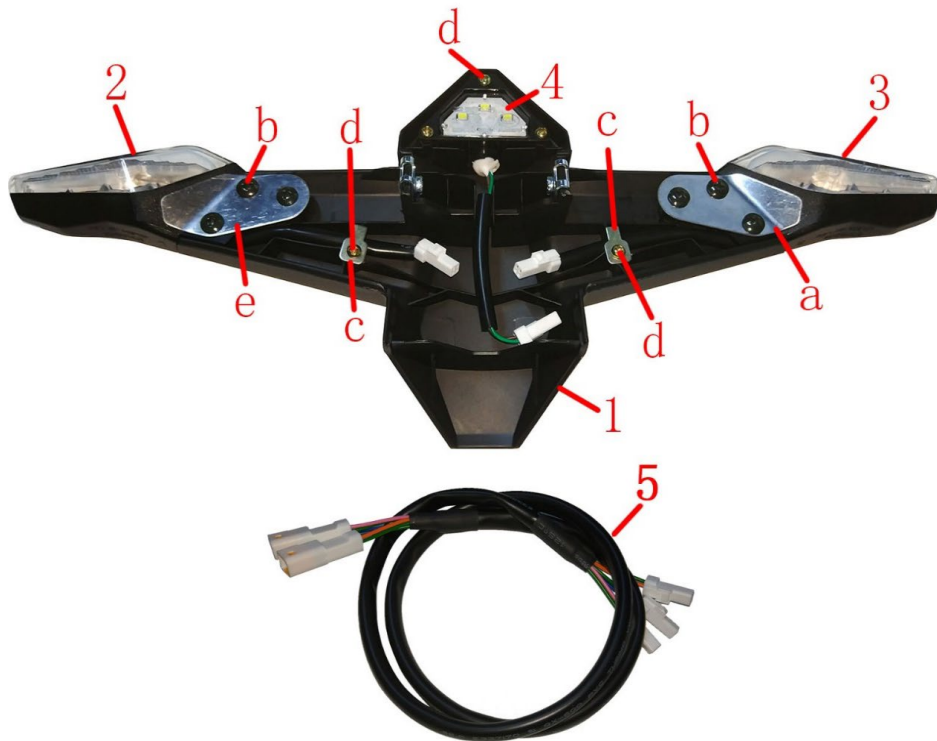


Fig.4 REAR COVER COMPONENT		Rear turn signal after sale parts	CHK	
			ADJ	
NO.	PART NO.	PART NAME	QTY	REMARKS
1	1224200-062000	ZT310-X rear turn signal bracket	1	【1】
	1224200-120000	ZT310 rear turn signal bracket		【2】
2	1174200-019000	ZT310-X rear left turn signal	1	
3	1174200-020000	Right turn signal after ZT310-X	1	
4	1174200-021000	ZT310-X license plate light	1	
5	1184200-032000	ZT310-R rear turn signal cable (L=600)	1	

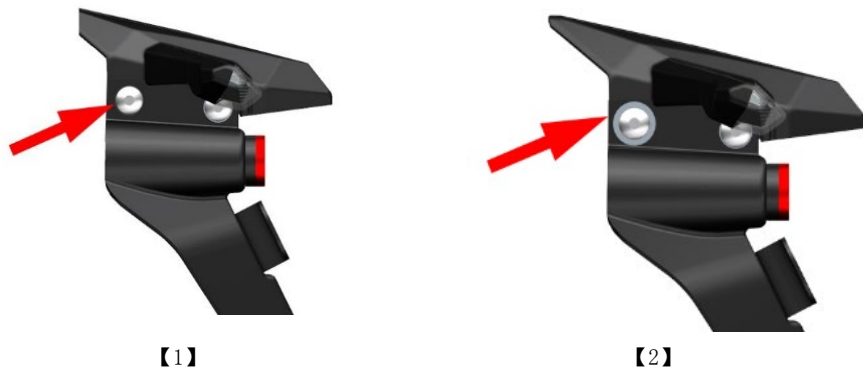
## PROCEDURE:

## ●Back license plate light

After grasping the turn signal bracket (1), remove the three screws d on the rear license plate light(4)and remove it.

## ●Rear turn signal

Remove the 3 screws b and 1 screw d on the left side of the above figure, remove the left pressure plate e and the crimping plate c, and remove the left turn signal (2); similarly, the 3 screws on the right side of the figure above remove the right pressing line. After the plate a and the crimping plate c, the right turn signal(3) is removed.



## CAUTION:

●When reassembling, check whether there is any pressure on the wire to prevent short circuit when tightening the bolt.

●If the vehicle produced before March 1, 2018 needs to be replaced separately, the left and right turn signals should be purchased at the same time as the 1184200-032000 ZT310-R rear turn signal cable (L=600); after March 1st, the production will not be need. Or wire it yourself, but make sure the wiring is secure and waterproof.

●The vehicle a produced in April 2018 was changed from the original 2 expansion nails to the bolt + bushing + rubber pad structure. Therefore, before the production of the vehicle, if the replacement of the turn signal, the splint nut + non-standard bolt M6 should be purchased at the same time. ×12 (304 stainless steel) + flanged bushing cushion rubber (φ8.5 × φ14 × 1) + flanged bushing φ6.2 × φ 8.4 × 3.5 + φ 14 × 1.5 each 2 pieces.

●【1】 for the vehicle produced before Oct. 1, 2018; 【2】 for the vehicle produced after Oct. 1, 2018.



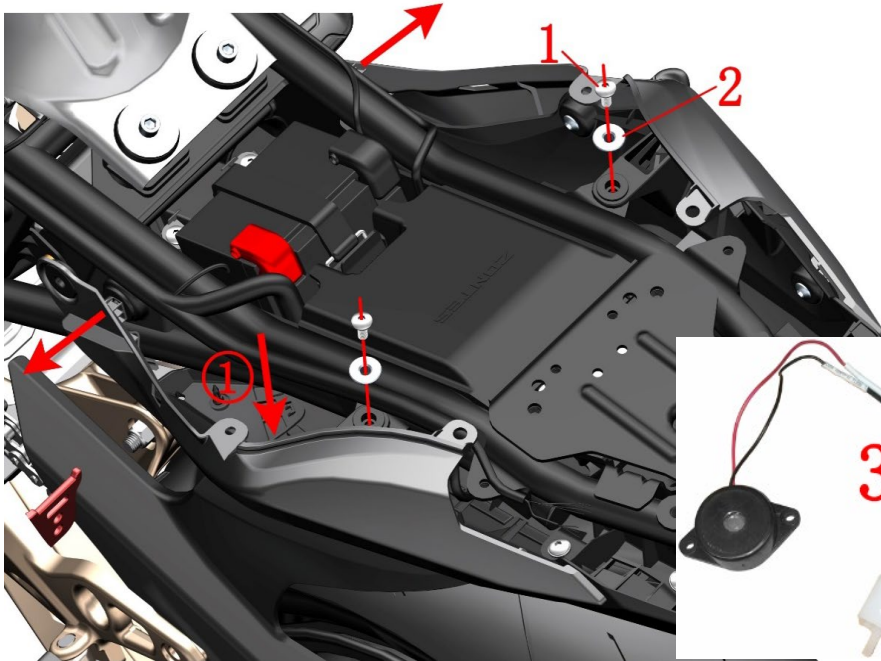


Fig.5 REAR COVER COMPONENT		Rear skirt component 1	CHK	REMARKS
NO.	PART NO.	PART NAME	ADJ	
1	1251100-102000	Non-standard bolt M6×16 (304 stainless steel)	2	
2	1274100-007000	ZT250-S flanged bushing( $\phi 6.4 \times \phi 9 \times 6 + \phi 20 \times 2$ )	1	
3	1184200-016000	ZT310 PKE buzzer	1	
4	1184200-042000	310PKE external antenna (short)	1	【1】

## PROCEDURE:

## ● Back skirt assembly

If only the rear skirt assembly is removed, simply remove the PKE short antenna head. The PKE antenna is Velcro + double-sided adhesive on the right tail skirt.

Locate the taillight and PKE buzzer (3) plug on the left side of the body and unplug it.

Remove the 2 bolts (1) and remove the bushing (2).

Grab the pin on the front of the left skirt and pull it out.

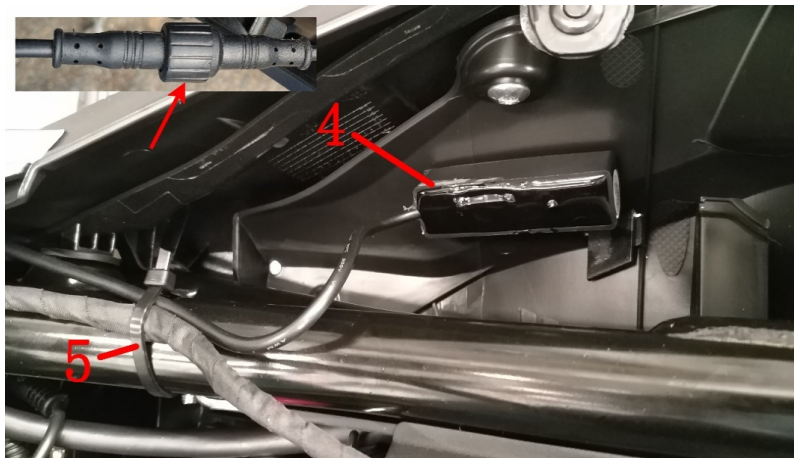
Grab the pin on the front of the right skirt and pull it out.

Remove the rear skirt assembly from the frame by slightly separating the front of the left and right skirts.

Remove the PKE buzzer (3). Clean up the remaining offset.

## ● PKE short antenna

If you need to replace the PKE short antenna (4), you need to cut or disassemble the cable tie (5), find the antenna connector, unscrew the nut and pull it out. Use a hot air gun to heat it off, then peel off the double-sided tape from the right tail skirt and clean the residual glue.



## CAUTION:

● The material should be protected during the disassembly process to prevent scratching of the lamp and paint surface.

● Do not pull the cable directly.

● Pull out the nail and pay attention to the direction and strength of the force to prevent damage.

● When reassembling, check whether there is any pressure on the wire to prevent short circuit when tightening the bolt.

● 【1】 Just for old state PKE after-sales.

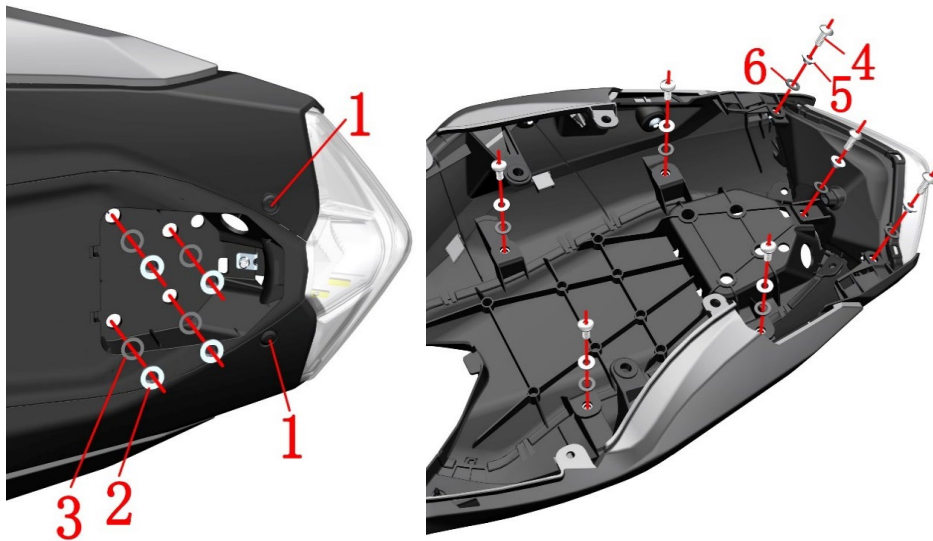


Fig.6 REAR COVER COMPONENT		Rear skirt assembly 2		CHK	REMARKS
NO.	PART NO.	PART NAME	QTY	ADJ	
1	1224100-010000	ZT250-S expansion nail	2		
2	1251700-058093	Flanging bushing $\phi 8.2 \times \phi 11 \times 4.5 + \phi 16 \times 1.5$	4		
3	1240300-071000	Cuff bushing cushion rubber ( $\phi 11 \times \phi 16 \times 1$ )	4		
4	1251100-102000	Non-standard bolt M6×16 (304 stainless steel)	7		
5	1274100-057095	Flanging bushing $\phi 6.2 \times \phi 8.4 \times 3.5 + \phi 14 \times 1.5$	7		
6	1244100-052000	Cuff bushing cushioning rubber ( $\phi 8.5 \times \phi 14 \times 1$ )	7		
7	1251300-063093	Splint M6×11×15 (environmental color)	3		
8	1224200-043000	ZT310-X tail skirt middle	1		
9	1174200-008000	ZT310-X tail light	1		

## PROCEDURE:

## ● Back skirt assembly

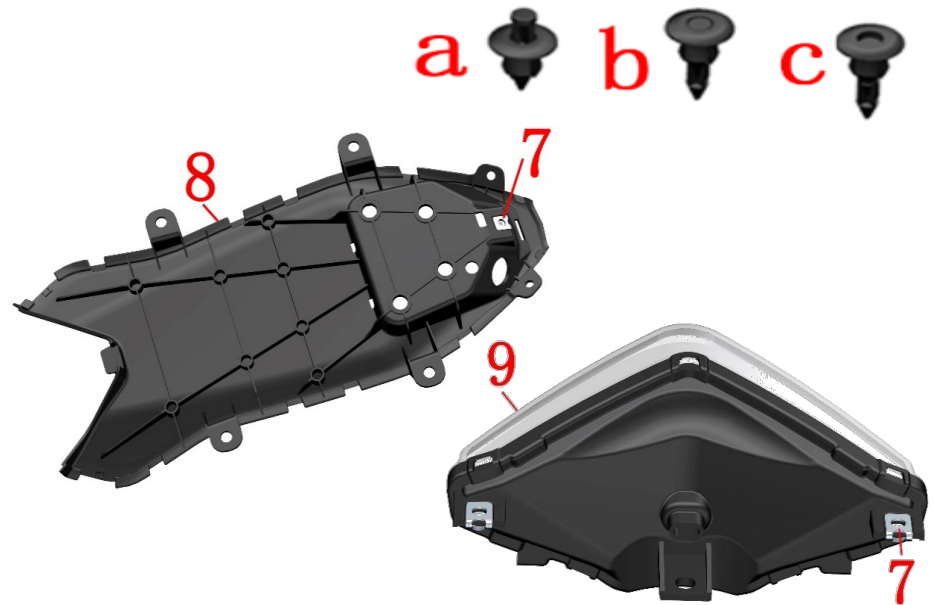
Flip to the back of the rear skirt assembly and use a small Phillips screwdriver to expand the center of the nail (as shown in Figure c) and remove the expansion pin (1).

Remove the bushing (2) and the cushion rubber (3).

Flip down to the bottom, remove the 7 bolts (4) in sequence, and remove the bushing (5) and cushion rubber (6). The rear skirt assembly is split into left and right skirt assemblies, a middle assembly, and a taillight assembly.

Remove the splint (7) from the middle of the skirt (8).

Remove the splint (7) from the taillight (9).



## CAUTION:

● The material should be protected during the disassembly process to prevent scratching of the lamp and paint surface.

● Do not pull the cable directly.

● Pay attention to force and force direction when removing the buckle to prevent damage to the buckle.

● Figure a is the unmounted state; Figure b is the assembled state; Figure c is the disassembled state.

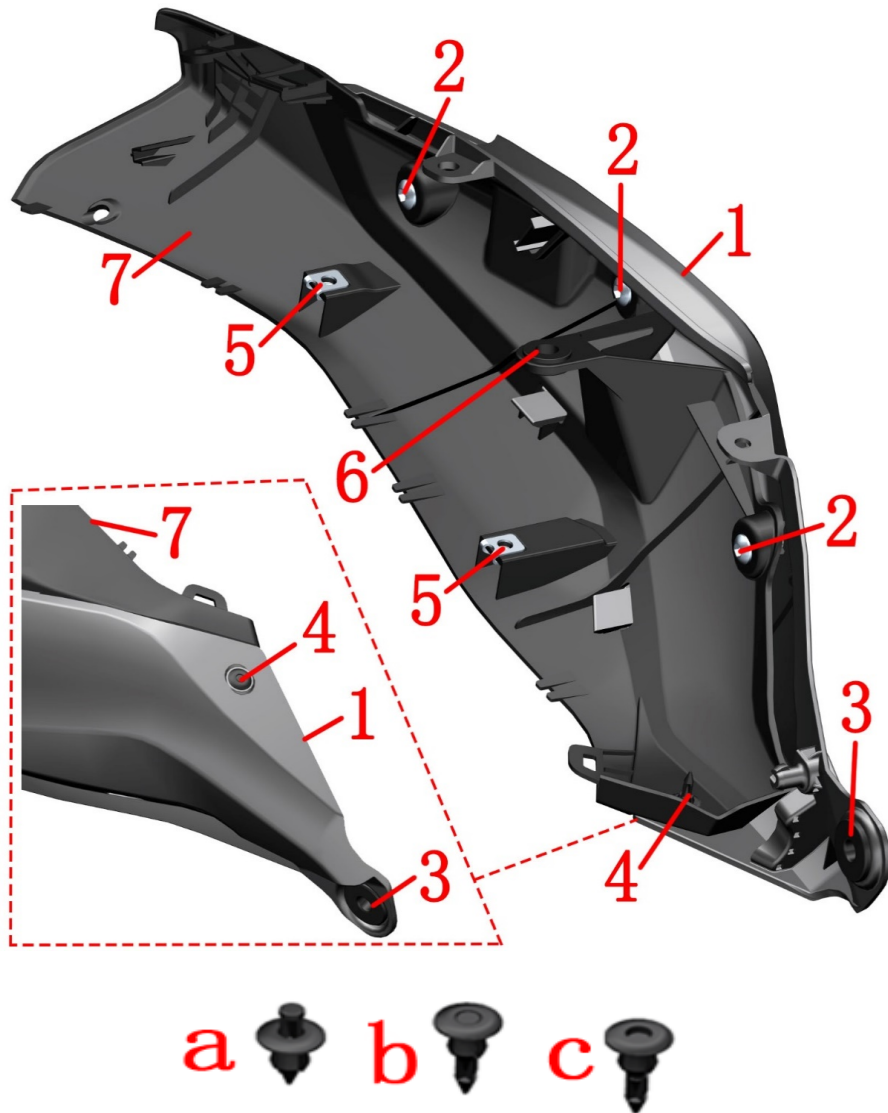



Fig.7 REAR COVER COMPONENT		Left rear skirt component	CHK	
NO.	PART NO.	PART NAME	ADJ	
1	4044201-009064	bright blue tail skirt left decorative cover	1	
	4044201-057001	pearl white tail skirt left decorative cover		
	4044201-047021	special black tail skirt left decorative cover		
	4044201-073051	Xuanwu lime tail skirt left decorative cover		
	4044201-047051	deep bright gray tail skirt left decorative cover		
	4044201-103015	gemstone red tail skirt left decorative cover		
2	1251200-033093	Non-standard self-tapping screws ST4.2×12	3	
3	1244100-002000	ZT250-S side cover round glue	1	
4	1224100-010000	ZT250-S expansion nail	1	
5	1251300-063093	Splint M6×11×15 (environmental color)	2	
6	1244100-004000	ZT250-S Flanging Bushing Buffer	1	
7	1224200-041000	ZT310-X tail skirt left	1	

**PROCEDURE:**

- Left rear skirt component

Remove the side cover round rubber (3), the cleat (5) and the cushion rubber (6) from the left tail skirt trim cover (1).

Use a small Phillips screwdriver to expand the center of the nail (as shown in Figure c) and remove the expansion pin (4).

Remove the screw (2) with a hexagon socket tool.

Separate the left tail skirt trim cover (1) from the tail skirt left side (7).

**CAUTION:**

- Protect the material during the disassembly process to prevent scratching the paint surface.
- Pay attention to force and force direction when removing the buckle to prevent damage to the buckle.
- Figure a is the unmounted state; Figure b is the assembled state; Figure c is the disassembled state.

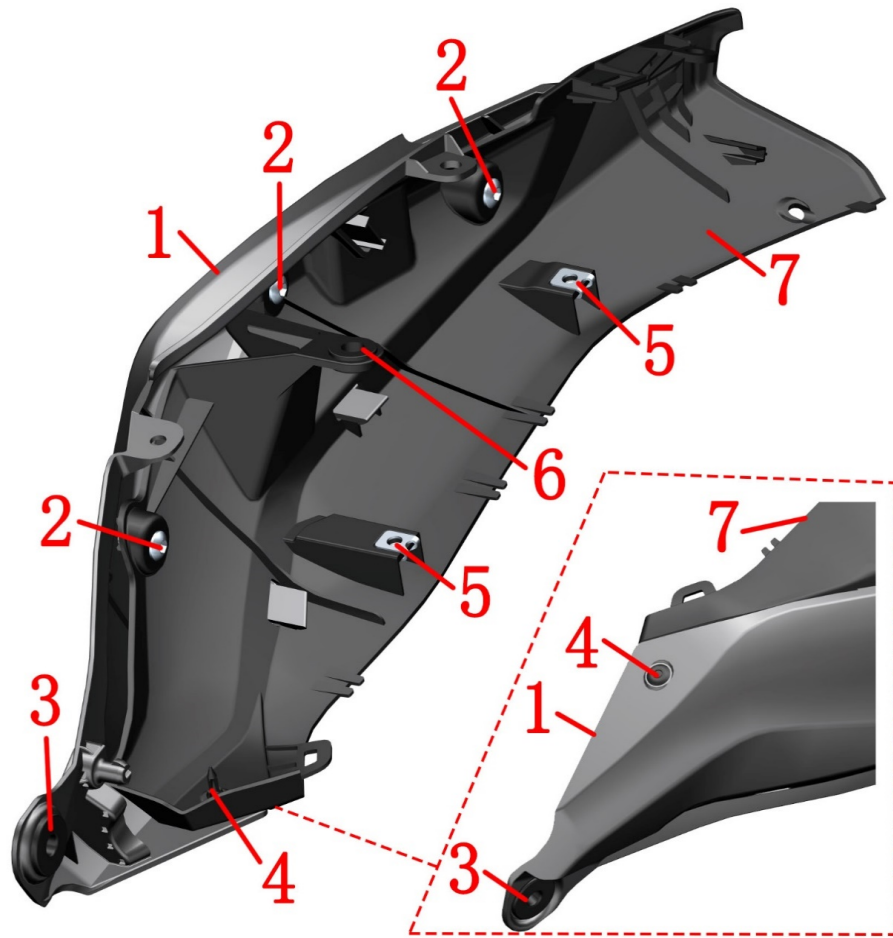



Fig.8 REAR COVER COMPONENT		Right rear skirt component	CHK	
			ADJ	
NO.	PART NO.	PART NAME	QTY	REMARKS
1	4044201-010064	bright blue tail skirt right decorative cover	1	
	4044201-058001	pearl white tail dress right decorative cover		
	4044201-048021	special black tail skirt right decorative cover		
	4044201-074051	Xuanwu lime tail skirt right decorative cover		
	4044201-048051	deep bright gray tail skirt right decorative cover		
	4044201-104015	gem red tail skirt right decorative cover		
2	1251200-033093	Non-standard self-tapping screws ST4.2×12	3	
3	1244100-002000	ZT250-S side cover round glue	1	
4	1224100-010000	ZT250-S expansion nail	1	
5	1251300-063093	Splint M6×11×15 (environmental color)	2	
6	1244100-004000	ZT250-S Flanging Bushing Buffer	1	
7	1224200-042000	ZT310-X tail skirt right	1	

## PROCEDURE:

## ● Right rear skirt component

Remove the side cover round rubber (3), the cleat (5) and the cushion rubber (6) from the right tail skirt trim cover (1).

Use a small Phillips screwdriver to expand the center of the nail (as shown in Figure c) and remove the expansion pin (4).

Use a small Phillips screwdriver to expand the center of the nail (as shown in Figure c) and remove the expansion pin (4).

Separate the right apron trim cover (1) from the right skirt (7).

## CAUTION:

- Protect the material during the disassembly process to prevent scratching the paint surface.
- Pay attention to force and force direction when removing the buckle to prevent damage to the buckle.
- Figure a is the unmounted state; Figure b is the assembled state; Figure c is the disassembled state.

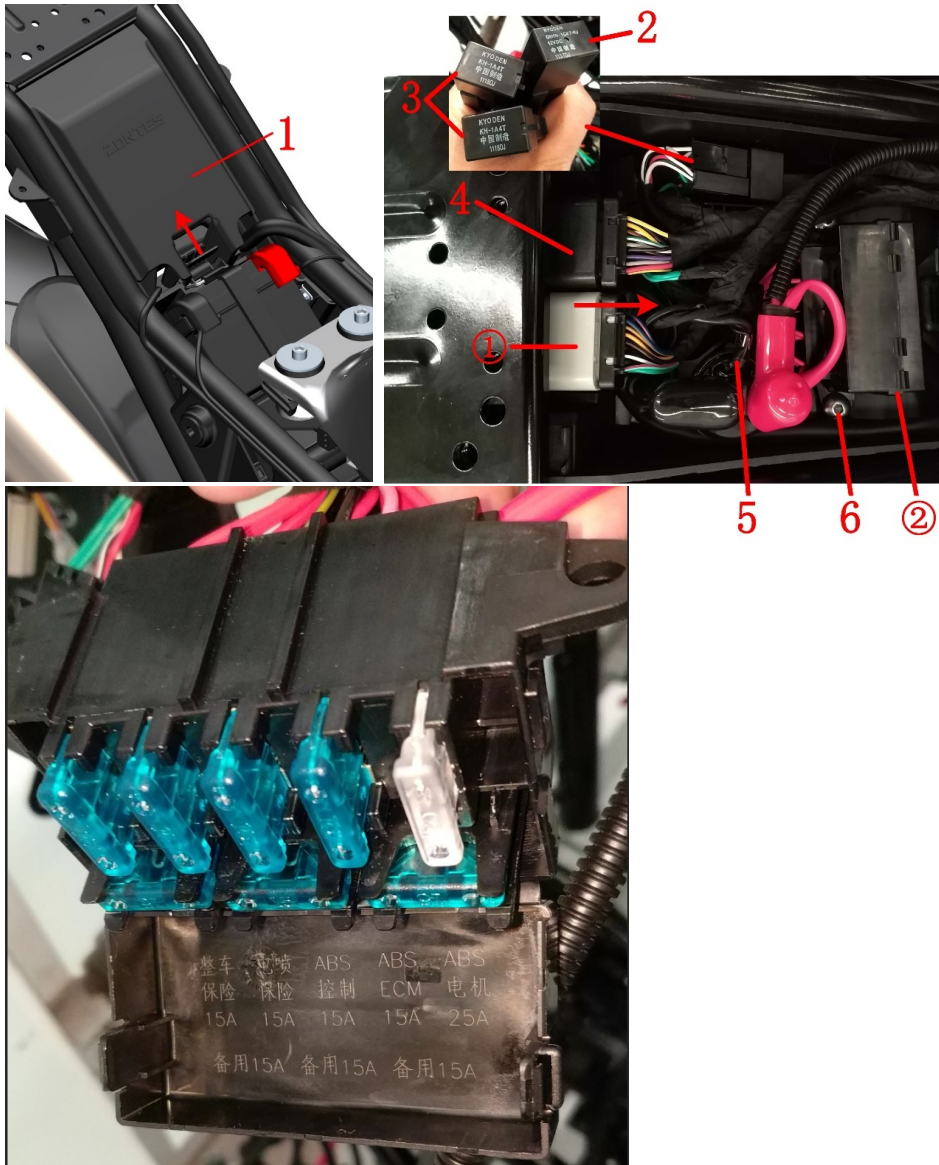


Fig.9 REAR COVER COMPONENT		Electrical device cover assembly	CHK	REMARKS
NO.	PART NO.	PART NAME	ADJ	
1	1224200-039000	ZT310 electric device box cover	1	
2	1184200-024000	ZT310-R side bracket relay	1	G8HN-1C4T-RJ
3	1184100-017000	ZT250-S EFI Relay	2	KH-1A4T
4	1050954-019000	MT05.2 engine controller - ZT310-RC4 type	1	
5	1184100-010000	ZT250-S start relay	1	
6	1251100-101000	Non-standard bolt M6×12 (304 stainless steel)	2	

## PROCEDURE:

## ● Electrical device box cover

Pull the metal buckle of the electrical device box cover (1) in the direction of the arrow, pull it down, remove it.

## ● Relay

Pull up the cable and unplug the side bracket relay (2) and the EFI relay (3).

Open the positive and negative protective caps of the starter relay (5) (red is positive, black is negative), unscrew the nut to remove the positive and negative connectors, and then screw the nut back to the relay stud to prevent loss. Locate the starter relay and the main cable connector.

## ● Engine controller (ECU)

Grasp the connector 1 of the ECU (4) and pull it out in the direction of the arrow to separate the ECU (4) from the main cable.

## ● Fuse box

After removing the two bolts (6), pull out the fuse box and the cable together, and then pinch the fuse box 2 at both ends to open the cover to replace the fuse. There is a corresponding description on the fuse box cover.

## CAUTION:

● Do not pull the cable directly.

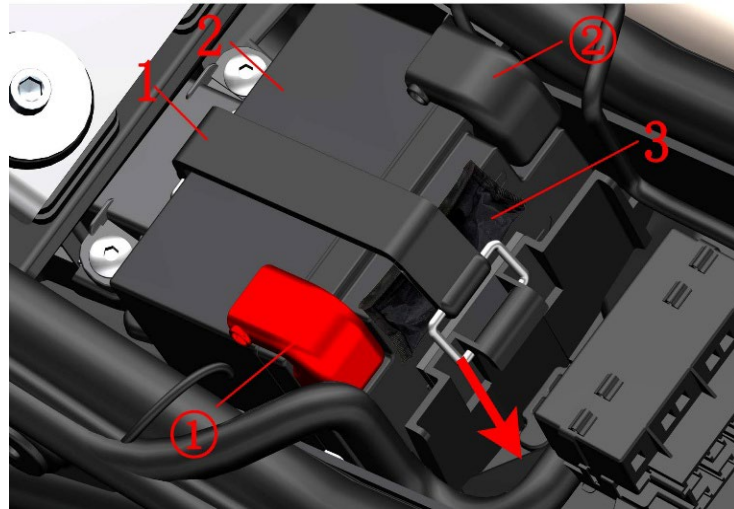


Fig.10 REAR COVER COMPONENT		Battery pack	CHK	⚠
			ADJ	
NO.	PART NO.	PART NAME	QTY	CAUTION
1	1244100-072000	ZT250-R Battery straps	1	
2		ZT310 Lithium battery	1	【1】
	1184100-116000	ZT250 Lithium battery	1	
3	1274200-078000	ZT310-R Finished motorcycle tool	1	
4	1184200-018000	ZT310 Lithium battery wake-up switch	1	【2】

PROCEDURE:

● Battery straps, finished motorcycle tools

Pull the metal snap ring ③ of the battery strap (1) in the direction of the arrow, press it down, remove it, and remove the on-board tool (3).

● Battery

Unscrew the black protective cap ② to remove the negative pole; then remove the red protective cap ① and remove the positive pole; remove the battery. For reinstallation, connect the positive electrode first, then connect the negative electrode. No parallel battery charging or ignition.

● Wake up switch

Finding the plug for the wake-up switch ③ Hold the plug in one hand and wake it up to the end of the switch. Rotate the connector on the battery end and pull it out completely.

Hold the awake switch in one hand and hold the cable end. Use a wrench to loosen the nut ④ and unscrew it completely. Remove the wake-up switch and cable from the mounting bracket on the frame.

CAUTION:

● Pull the plugs ①、② out of the cable.

● Reassemble the battery or fuse, etc. Remember to remember to reset the EFI hardware: Turn on the key-Ignition- 10 seconds After the ignition is turned off - After 10 seconds Turn on the ignition switch and repeat 2 times.

● If the battery has reached the end of its useful life, it should be handed over to a qualified organization or a dedicated recycling center for proper disposal. Discard it at will.

● 【1】 Production has been suspended since April 26,2019.All motorcycles equipped with ZT310 Lithium battery should be replaced by"1184100-116000 ZT250 Lithium battery"without wake up switch,and the wake up switch should be removed.

● 【2】 Since April 26,2019, cancel lithium wake up switch. Wake up switch should be used with ZT310 lithium battery. The ZT250 lithium battery don't need wake up swith.



ZT310 Lithium battery



ZT310 Lithium battery wake-up switch



ZT250 Lithium battery

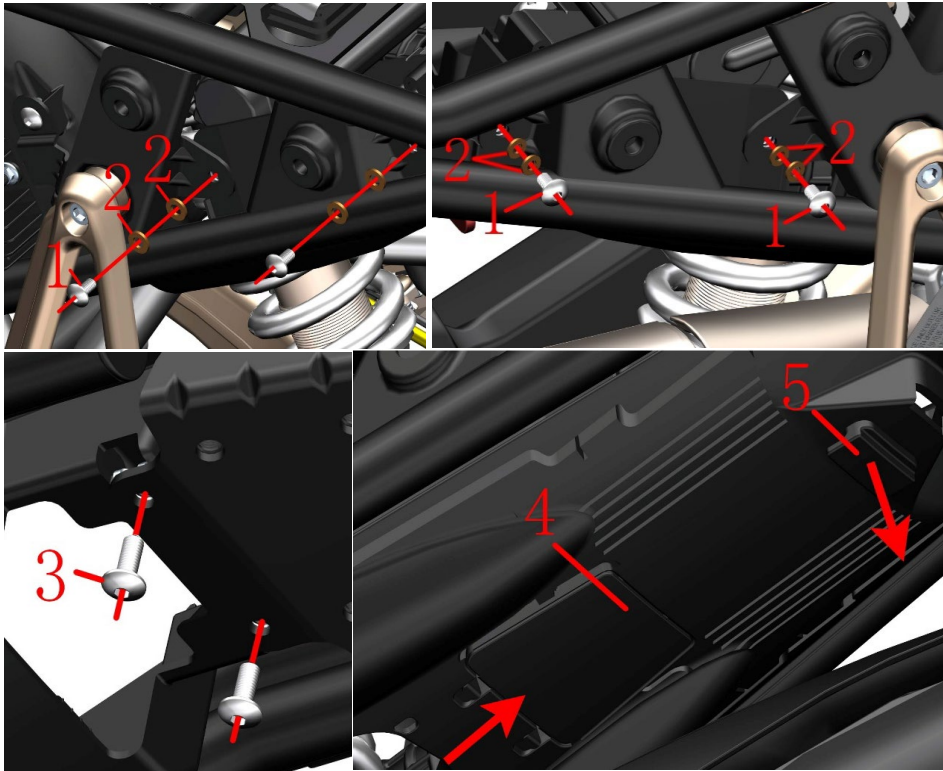



Fig.11 REAR COVER COMPONENT		Electrical device box component 1	CHK	
NO.	PART NO.	PART NAME	ADJ	
1	1251100-101000	Non-standard bolt M6×12 (304 stainless steel)	4	CAUTION
2	1251513-001019	6.3 x 12 x 1.6 copper gasket	8	
3	1251100-102000	Non-standard bolt M6×16 (304 stainless steel)	2	
4	1224200-040000	ZT310 Electrical device box cover	1	
5	1244200-047000	ZT310-X Electric device box back glue	1	

**PROCEDURE:**

- Electrical device box component
- Remove the bolts(1) on the left side of the front of the electrical component box remove the four washers(2).
- Remove the bolts(1) on the right side of the front of the electrical component box remove the four washers(2).
- Remove the(3) on the bottom of the rear frame of the frame.
- Push the card in the direction of the arrow to snap the lower cover(4).
- Pull down the electrical device box backing(5) in the direction of the arrow.
- Old state PKE:
  - Find the connectors③ and ④ of the PKE antenna, unscrew the nut and pull it out. Connector③ short antenna; connector④ long antenna.
- New states PKE:
  - Find and unplug the connectors⑤ of the PKE antenna(single).
- Hold the electric device box component in one hand and grasp the front part downwards with one hand. Unplug the PKE cable connectors① and ② and remove the electrical device box component.



**CAUTION:**

- Do not pull the cable directly when unplugging it.
- If you need to replace the PKE fuse, you can directly replace the lower cover of the electrical device box to replace it.
- For PKE antenna disassembling, see “Fuel Tank Cover component 2” and “End cover Interior Trim component” above.
- When refitting connector ②, check whether the metal contacts inside are bent. If necessary, straighten them first.

ZT310 PKE Controller

ZT310 PKE Controller  
(single antenna )

ZT310 PKE Controller  
(bracelet edition)

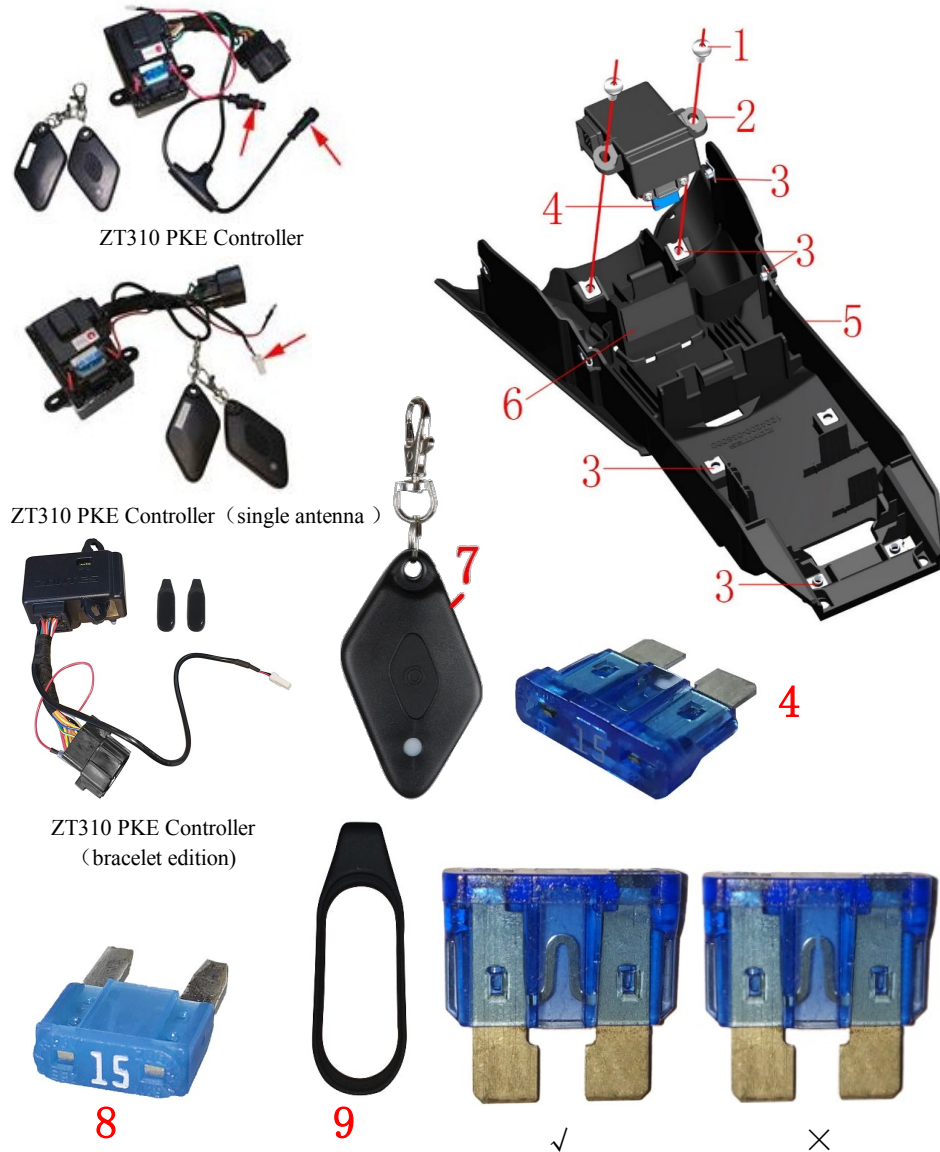


Fig.12 REAR COVER COMPONENT		Electrical device box component 2	CHK	
			ADJ	
NO.	PART NO.	PART NAME	QTY	CAUTION
1	1251100-101000	Non-standard bolt M6×12 (304 stainless steel)	2	
2	1184200-007000	ZT310 PKE Controller	1	out of stock
	1184200-054000	ZT310 PKE Controller ( single antenna )		out of stock
	1184200-137000	ZT310 PKE Controller (bracelet edition)		
3	1251300-063093	Plywood M6×11×15 (environmental color)	8	
4	1184100-080000	ZT250-S Fuse (15A)	1	For after-sale
5	1224200-038000	ZT310 Electrical Device Box	1	
6	1240300-007000	HJ125-6 Battery Pad	1	
7	1184200-043000	PKE key shell (containing key glue+key ring)	1	For after-sale
8	1184200-128000	ZT310 Universal Fuse (15A small)	2	bracelet edition
9	1244200-100000	ZT310 Induction key glue ring	1	after-sale

PROCEDURE:

- PKE controller  
Remove the bolt(1) and remove the PKE controller(2).
- Electrical device box component  
Remove 8 pieces of plywood nuts(3) from the electrical component box(5).  
Remove the battery pad(6) and clean the remaining adhesive.
- Fuses  
Unplug the fuse(4) or (8) and check if it is blown. If it has blown, replace the fuse of the same specification.  
The dual antenna and the single antenna PKE controller used medium 15A fuses.  
The bracelet edition PKE controller used 2pcs small fuses.

CAUTION:

- When inserting or removing the fuse, pay attention to the vertical alignment and then disassemble it. Do not bend it. Use a qualified fuse.
- PKE cables need to be protected. Non-professionals are strictly prohibited from dismantling the PKE system components, as this may cause permanent damage.
- Please refer to the driving manual for details on the use of PKE.
- PKE key shell (containing key glue+key ring) just for after-sale to change the shell,no internal electrical appliances.
- The single antenna and dual antenna PKE controller cannot be universal.If you need to replace dual antenna PKE,you must buy 1184200-053000 ZT310PKE external single antenna at the same time.
- The single antenna PKE controller has been out of stock, it can be replaced by bracelet edition.

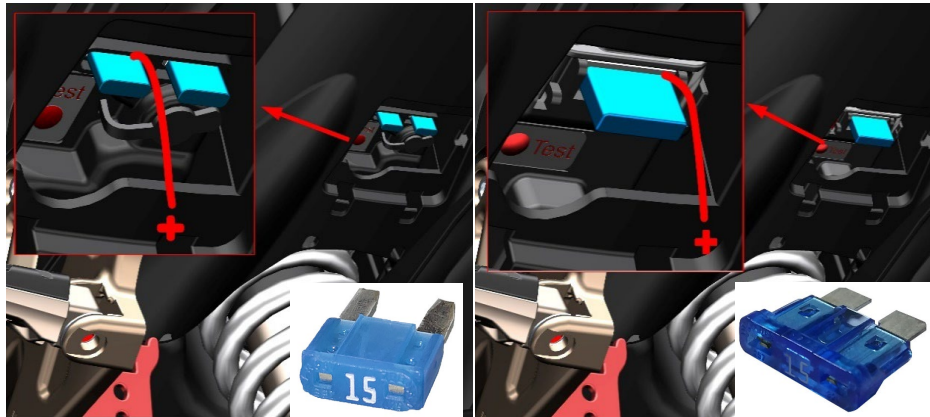
✓

✗



Fig.13 REAR COVER COMPONENT

External battery start PKE system

CHK  
ADJ

## PROCEDURE:

- Emergency handling method after the battery is destroyed or the battery is exhausted for too long:

Find a 15A fuse and wind a wire around any one of the fuses as shown in the left side.

Remove the lower cover of the electrical device box; insert the previously made wire into the right side of the PKE fuse slot.

Find a battery with sufficient power and connect the previously made wire to the positive side of the battery.

Find one end of the wire attached to the frame (the bolt is directly connected to the frame) and the other end to the negative pole of the battery.

After connecting the wires, check that the wires are fixed and short press the unlock button "🔓" to turn on the PKE system. Disable pressing the ignition button at this time.

## CAUTION:

- The wire must be connected to the right slot in the forward direction of the finished motorcycle.
- When connecting the battery, always connect the positive electrode first and then connect the negative electrode. When disassembling, disassemble the negative electrode and then remove the positive electrode. Be sure to pay attention to the order of discomponent.
- The negative pole must be connected with the frame and can be connected to the bolt head directly connected to the frame.

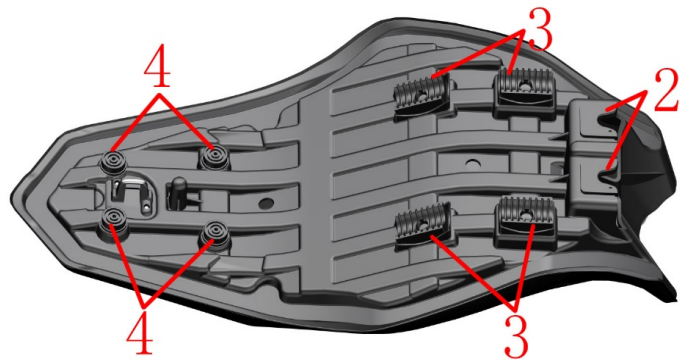
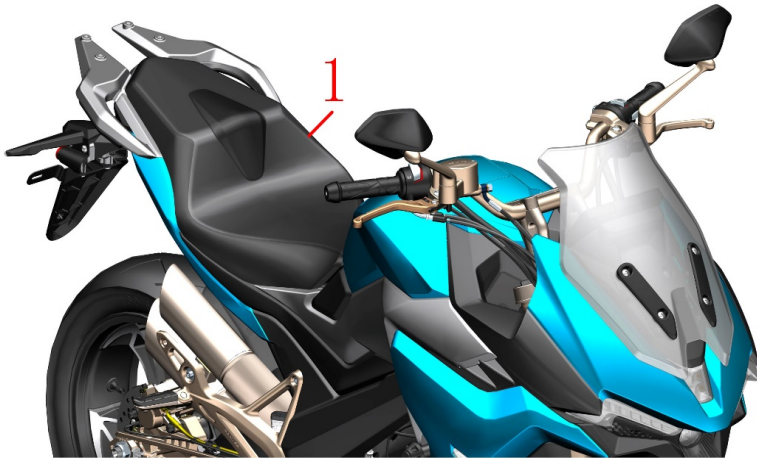
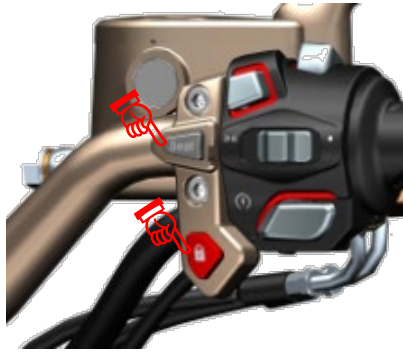




FIG.1 CUSHION COMPONENT		Cushion component	CHK	
NO.	PART NO.	PART NAME	ADJ	
1	1204200-003000	ZT310-X Seat cushion	1	after-sales
2	1244100-024000	ZT250-S Cushion front rubber	2	
3	1244100-022000	ZT250-S Cushion rubber	4	
4	1244100-025000	ZT250-S Cushion round rubber	4	

## PROCEDURE:

## ● Remove seat cushion

Press the unlock button " " shortly. After the power-on self test is completed, press the "SEAT" button briefly to open the electronic cushion lock.

Grasp the seat cushion(1) and pull it diagonally upwards. At the same time, remove the cushion by moving the rear part of the cushion from side to side.

## ● Assembly cushion

When assembling the cushion, check whether all the cushion rubbers are complete. Insert the front part of the cushion first. After the assembly is in place, shoot the rear part of the cushion firmly. When you hear the "click" sound, it indicates that the cushion lock has been assembled.

## ● Cushion rubber purchased separately

If the cushion rubber aging can be purchased on the Zontes official website. The corresponding installation position is shown in the lower left figure.

## CAUTION:

- The motorcycle should be fixed before operation.
- Cushion can cause accidents if it is not installed properly.

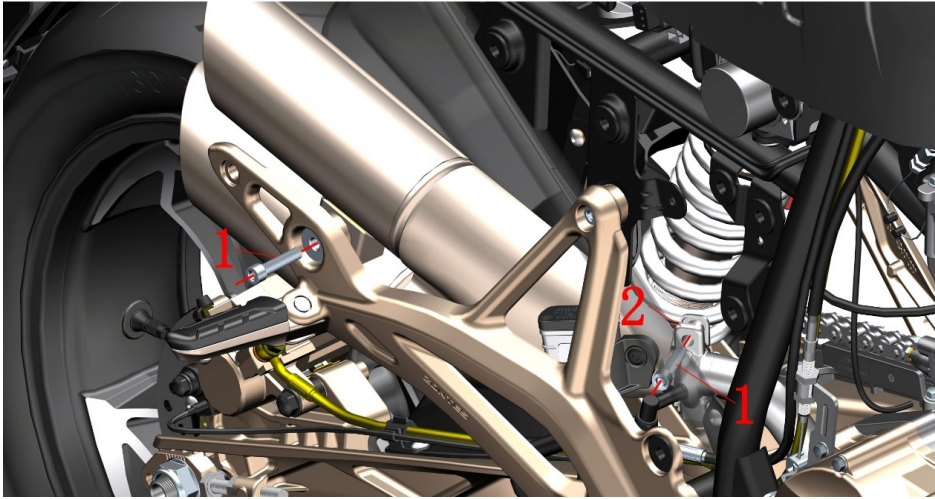
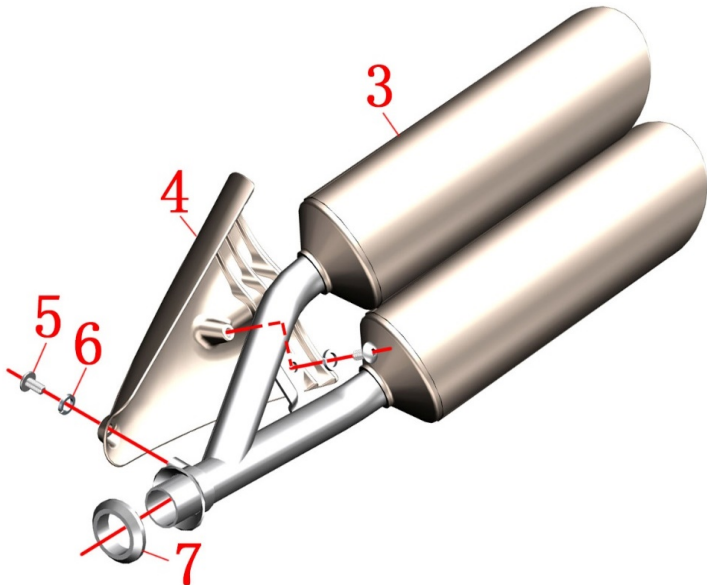


FIG.1 MUFFLER COMPONENT		Muffer rear assembly	CHK	REMARKS
NO.	PART NO.	PART NAME	ADJ	
1	1250205-023000	GB70.1 Hexagon M8×35 (environmental color zinc)	2	
2	1274100-074000	ZT310-R Muffer clamp	1	
3	4024200-003035	ZT310-R Titanium rear muffer	1	
4	4024200-004035	ZT310-R Titanium anti-hot plate	1	
5	1251100-101000	Non-standard bolt M6×12 (304 stainless steel)	2	
6	1250501-010000	GB93φ6 Spring washer	2	
7	1124100-012000	ZT310-R Muffer graphite seal gasket (37.8×25×10)	1	

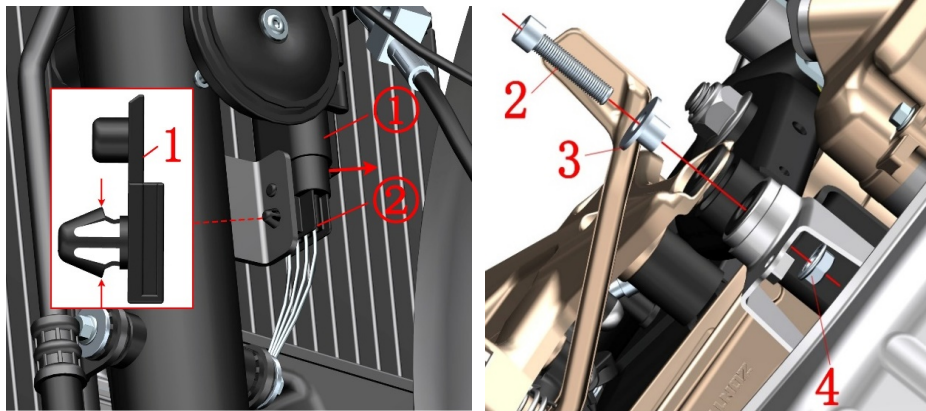
## PROCEDURE:

- Remove the muffer rear assembly  
Hold the muffer rear assembly in one hand, and use the hexagon tool to remove the bolt(1) from the space between the frame tube and the pedal bracket. Remove the clamp (2).  
Remove the bolt(1) at the pedal bracket and remove the muffer rear assembly.
- Remove the bolt(5) and remove the spring washer(6).
- Remove the anti-hot plate(4) from the muffer rear part(3).
- Graphite gasket  
Remove the graphite gasket(7) and protect the nozzle. If there is any deformation, it may cause air leakage.



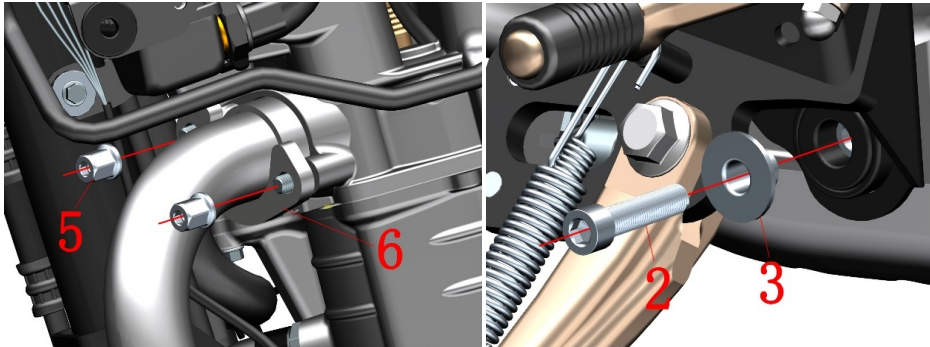
## CAUTION:

- The material should be protected during disassembly to prevent damage to the paint.
- The muffer should be completely cooled before it is disassembled.
- Prevent foreign matter from entering the interior of the muffer.
- The muffer nozzle needs to be protected. If there is any deformation, it may cause air leakage.
- It is recommended that new seals be replaced each time the muffer front assembly is removed to prevent air leakage.



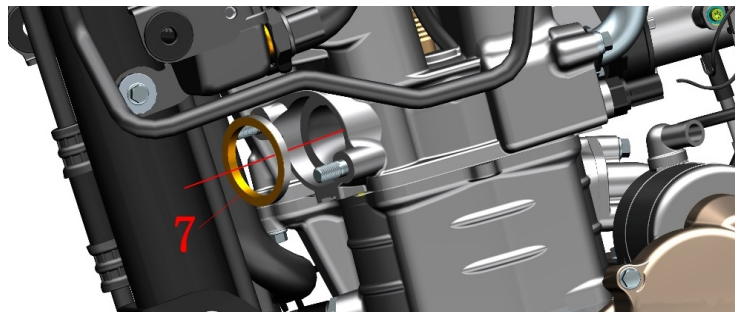
A

B




C

D



E

FIG.2MUFFLER COMPONENT		Muffler front assembly 1		CHK	
NO.	PART NO.	PART NAME	QTY	ADJ	
1	1224100-013000	ZT250-S Oxygen sensor fixing buckle	1		
2	1250205-023000	GB70.1 Hexagon M8×35 (environmental color zinc)	2		
3	1274100-068095	ZT310 Muffler flange bushing	4		
4	1250303-011093	GB6177.1 M8 (environmental color)	1		
5	1251300-058093	Hexagon nut M8 (environmental color zinc)	2		
6	1020241-094000	ZT250-S Muffler flange	1		
7	1070100-133000	ZT250-S Engine exhaust seal gasket	1		

## PROCEDURE:

## ● Oxygen sensor fixing buckle

Pull the cable clip(1) out of the radiator bracket with the pliers after slightly clamping it to the outside top (as shown in Figure A). Separate the oxygen sensor connector from the main harness.

## ● Muffler assembly

Lower the side bracket to fix the motorcycle.

Under the right nameplate of the motorcycle, after fixing the nut(4) with a boxer wrench, remove the bolt(2) and remove the bushing(3), as shown in Figure B.

Remove the nut(5) and remove the muffler flange(6) as shown in Figure C.

Hold the muffler front assembly with one hand, remove the bolt(2) from under the side bracket mounting plate with one hand, and remove the bushing(3) as shown in Figure D.

After removing the muffler front assembly, remove the gasket(7) as shown in Figure E.

## CAUTION:

● The lower shroud assembly needs to be removed in advance. For the removal procedure, see "Lower shroud assembly".

● The muffler should be completely cooled before it is disassembled.

● Prevent foreign matter from entering the muffler or engine interior.

● It is recommended that new seals should be replaced each time the muffler front assembly is removed to prevent air leakage.

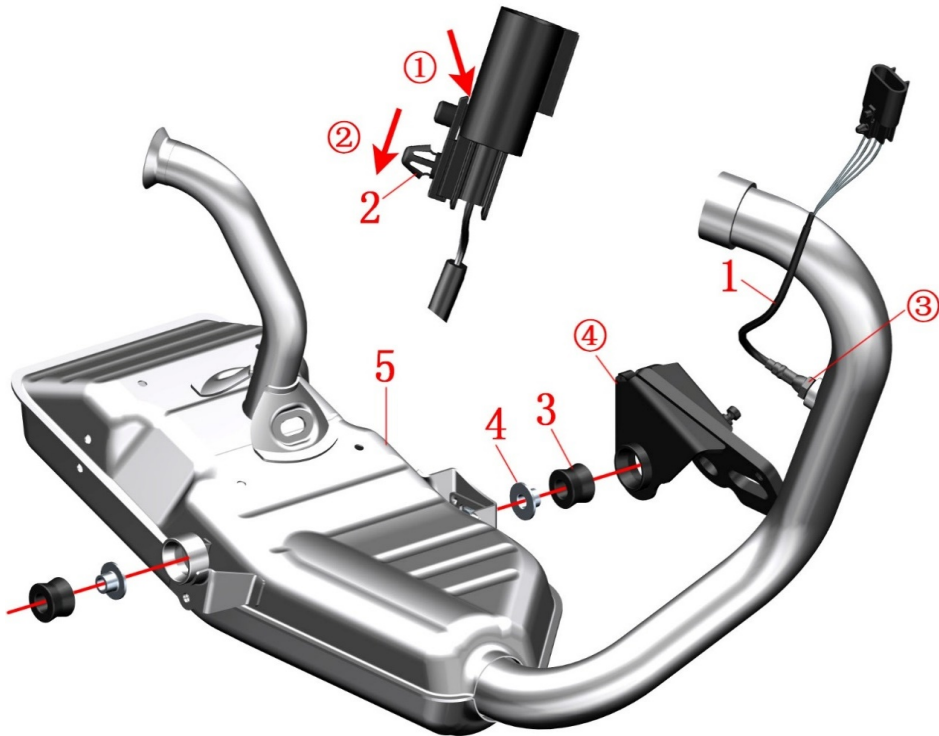



FIG.3 MUFFLER COMPONENT		Muffler front assembly 2	CHK	
NO.	PART NO.	PART NAME	ADJ	
1	1050953-008000	OSM planar oxygen sensor 25322728	1	
2	1224100-013000	ZT250-S Oxygen sensor fixing buckle	1	
3	1244100-064000	ZT310 Muffler cushion rubber	2	
4	1274100-068095	ZT310 Muffler Flange Bushing	2	
5	1124200-002000	ZT310-R Front muffler (homemade/Euro IV)	1	

## PROCEDURE:

## ● oxygen sensor

Insert the screwdriver with a small slotted screwdriver① to open the fastener, and press it in the direction indicated by arrow② to push it out from the oxygen sensor connector. Remove the oxygen sensor① with an open wrench.

## ● Buffer assembly

Remove the bushing③ and cushion rubber② from the frame④.

Remove the bushing③ and cushion rubber② from the muffler front part⑤.

## CAUTION:

- The muffler should be completely cooled before it is disassembled.
- Prevent foreign matter from entering the interior of the muffler.