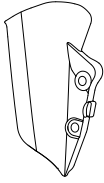
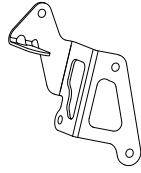


ZTE10-X 热气导流罩安装指南
Hot Air wind deflector Installation Guide

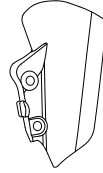
散件清单
parts and components list



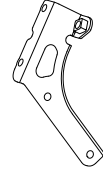
热气导流左罩
Hot Air wind deflector left cover
①×1



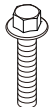
热气导流左罩支架
Hot Air wind deflector left bracket
②×1



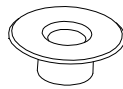
热气导流右罩
Hot Air wind deflector right cover
③×1



热气导流右罩支架
Hot Air wind deflector right bracket
④×1



M6 × 16
⑤×5



翻边衬套
Flanging bushing
⑥×5

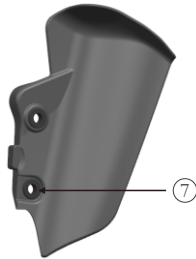


翻边衬套缓冲胶
Flange bushing cushion rubber
⑦×6

安装示意图
installation chart

安装步骤一：
Installation step 1:

将翻边衬套缓冲胶安装在零件上。
Mount the Flange bushing cushion rubber on the parts

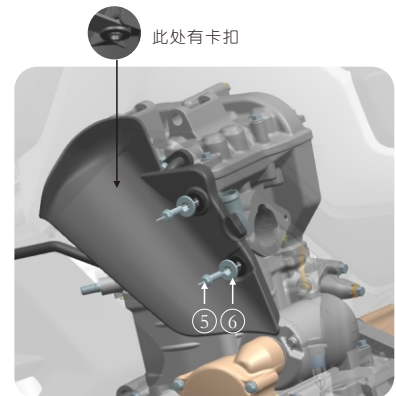
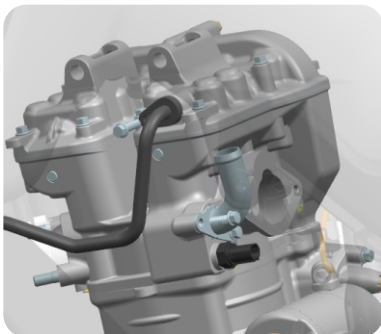


- ①×1
- ②×1
- ③×1
- ⑦×6

安装步骤二：
Installation step 2:

拆开左侧盖并拆掉发动机两个螺栓, 安装左罩支架, 安装左罩并重新装好左侧盖。
Disassemble the Hot Air wind deflector left cover and remove the two bolts of the engine, Install the left cover bracket, Install the Hot Air wind deflector left cover and reinstall the left side cover.

工具: 8#套筒, 8#开口扳手
Tools: 8# sleeve, 8# open end wrench

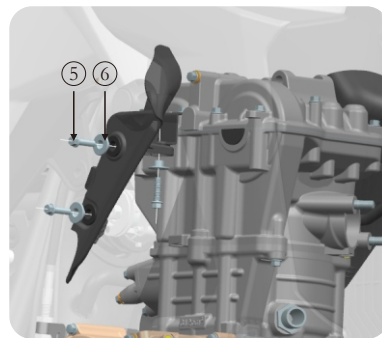
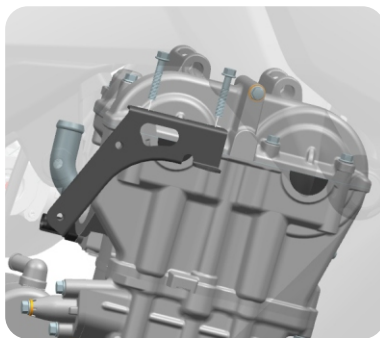
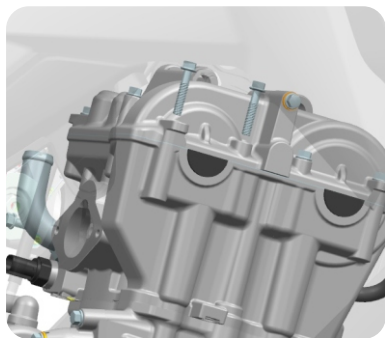


安装示意图 installation chart

安装步骤三： Installation step 3:

拆开右侧盖并拆掉发动机两个螺栓,安装右罩支架,安装右罩并重新装好右侧盖。
Disassemble the Hot Air wind deflector right cover and remove the two bolts of the engine, Install the right cover bracket, Install the Hot Air wind deflector right cover and reinstall the right side cover.

工具：8#套筒，8#开口扳手
Tools: 8# sleeve, 8# open end wrench



注意attention

1. 安装前请仔细阅读安装说明。
Please read the installation instruction carefully before installation.
2. 如产品与指南不符，请以实际产品为准。
If products do not tally with the guide, please refer to our actual product .
3. 定期检查各部件固定螺栓。
Check the fixed bolts on each part periodically.